



US00D778199S

(12) **United States Design Patent** (10) **Patent No.:** **US D778,199 S**
Amfitheatrof et al. (45) **Date of Patent:** **** Feb. 7, 2017**

(54) **JEWELRY ITEM**

(71) Applicant: **Tiffany and Company**, New York, NY (US)

(72) Inventors: **Francesca Amfitheatrof**, New York, NY (US); **Michal Dayan**, Brooklyn, NY (US); **Nina Martensson**, Juoksengi (SE); **Emily Morrow**, New York, NY (US); **Cary James**, Long Island City, NY (US)

(73) Assignee: **Tiffany and Company**, New York, NY (US)

(**) Term: **15 Years**

(21) Appl. No.: **29/561,626**

(22) Filed: **Apr. 18, 2016**

Related U.S. Application Data

(62) Division of application No. 29/502,731, filed on Sep. 18, 2014, now Pat. No. Des. 757,591.

(51) **LOC (10) Cl.** **02-07**

(52) **U.S. Cl.**
USPC **D11/4; D11/222**

(58) **Field of Classification Search**
USPC D11/200–217, 222–230, 30, 3, 4, 26, 27, D11/34; 24/41.1–48, 66.4–66.6, 97, 100, 24/101 R, 102 PL; 63/20; D8/382–383; 362/103; 361/627
CPC A44C 1/00; A43B 1/0036; A44B 5/00; A44B 19/24; A44B 5/02; A44B 6/00; A44B 5/002; A44B 3/02; A41F 17/00; F16G 11/00

See application file for complete search history.

(56) **References Cited**

U.S. PATENT DOCUMENTS

4,888,797 A *	12/1989	Strait, Jr.	H01R 13/447 361/627
D372,879 S *	8/1996	Partridge	D11/4
D440,516 S *	4/2001	Siemon	D11/26
D479,488 S *	9/2003	Stewart-Stand	D11/226
D533,802 S *	12/2006	Thompson	D11/34
D561,643 S *	2/2008	Bruni	D11/222
D565,450 S *	4/2008	Lebail	D11/27
D567,143 S *	4/2008	Nicol	D11/222
D704,088 S *	5/2014	Farris	D11/26
D718,171 S *	11/2014	Fakesch	D11/3

* cited by examiner

Primary Examiner — T. Chase Nelson

Assistant Examiner — Mark Cavanna

(74) *Attorney, Agent, or Firm* — Charles T. J. Welgell Esq.; Fross Zelnick Lehrman and Zissu, P.C.

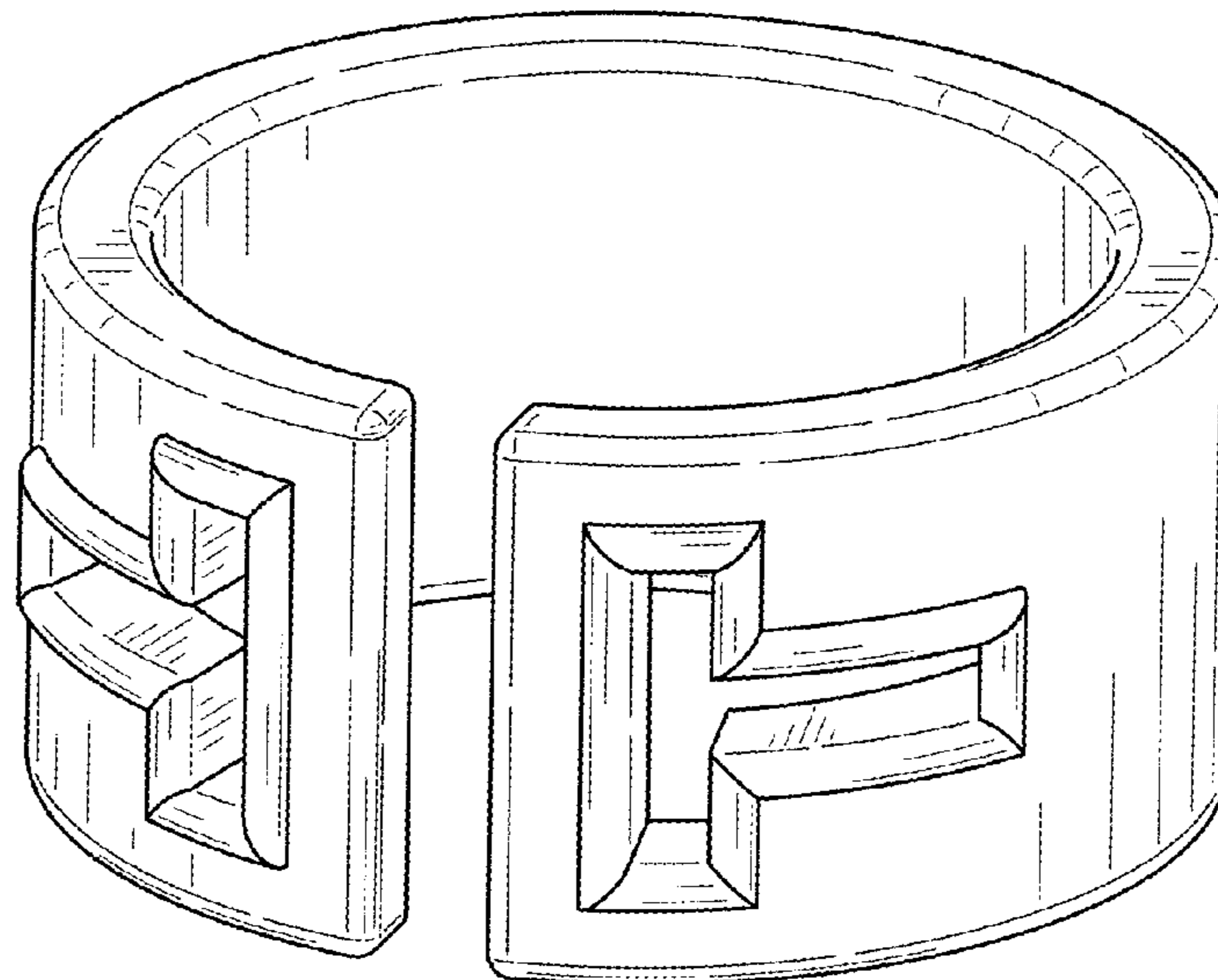
(57) **CLAIM**

The ornamental design for a jewelry item, as shown and described.

DESCRIPTION

FIG. 1 is a front perspective view of a jewelry item showing our new design;
FIG. 2 is a front view of the jewelry item shown in FIG. 1;
FIG. 3 is a rear view of the jewelry item shown in FIG. 1;
FIG. 4 is a left side view of the jewelry item shown in FIG. 1;
FIG. 5 is a right side view of the jewelry item shown in FIG. 1;
FIG. 6 is a top view of the jewelry item shown in FIG. 1;
FIG. 7 is a bottom view of the jewelry item shown in FIG. 1; and,
FIG. 8 is a bottom perspective view of the jewelry item shown in FIG. 1.

1 Claim, 5 Drawing Sheets



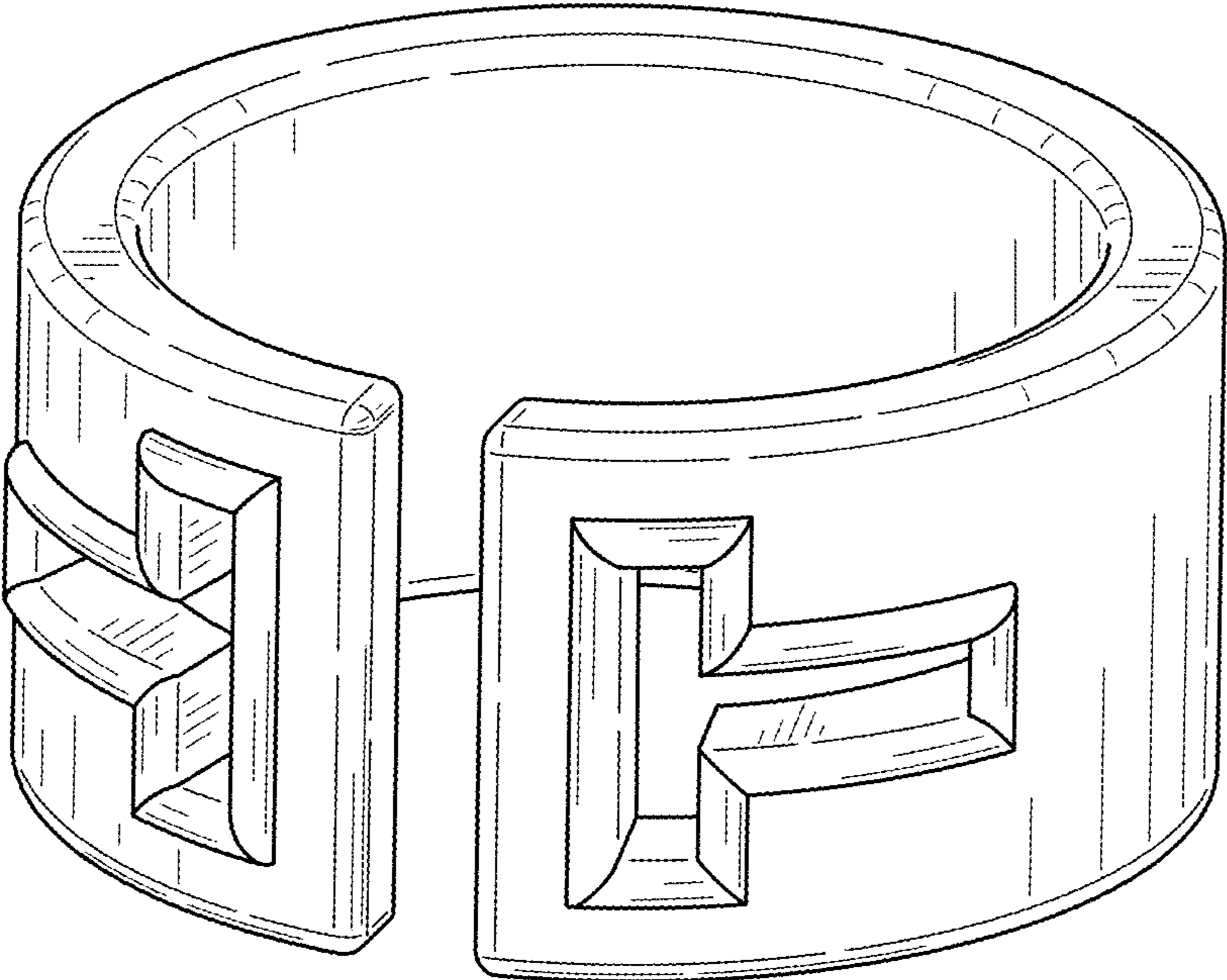


FIG. 1

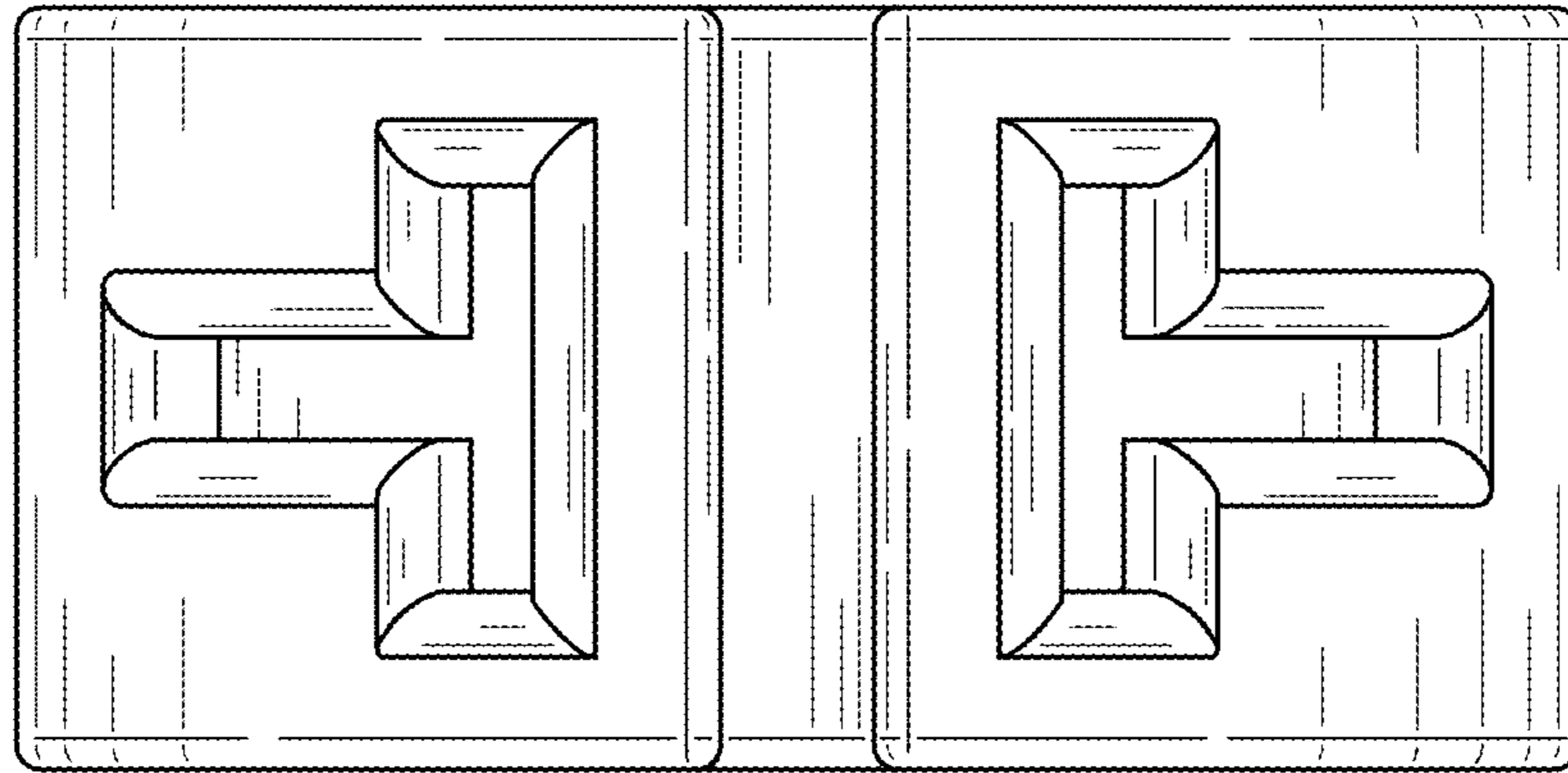


FIG. 2

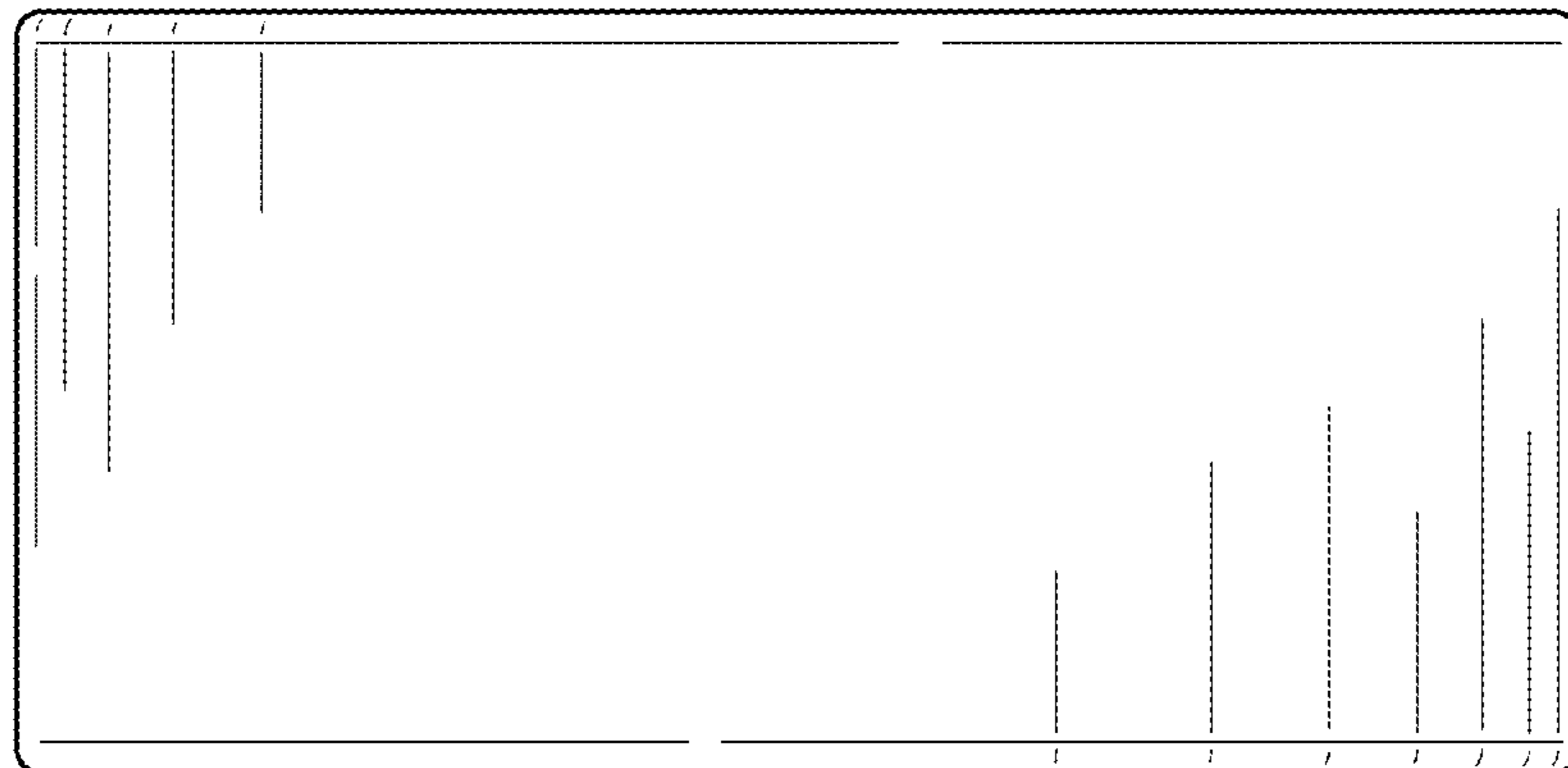


FIG. 3

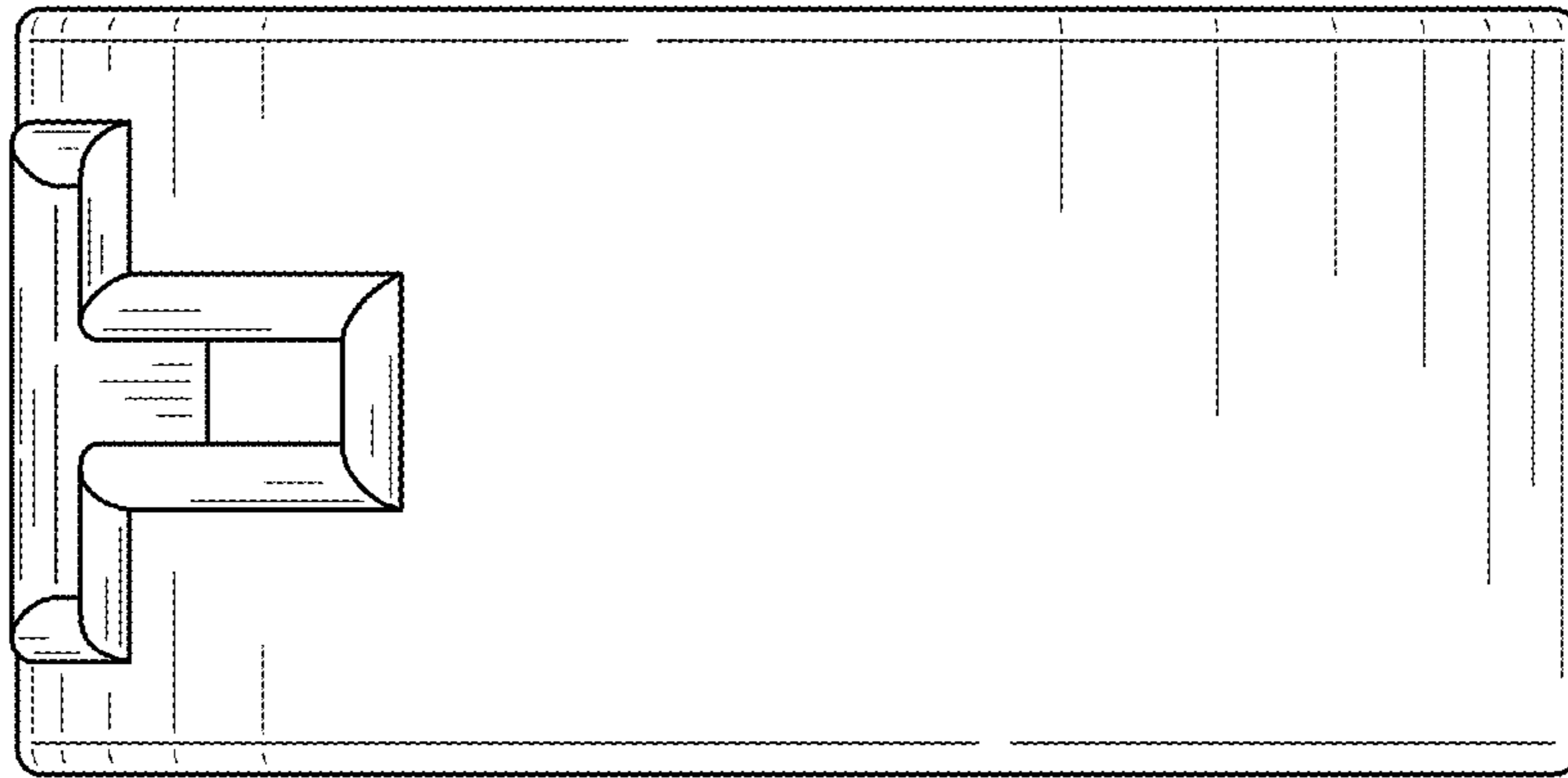


FIG. 4

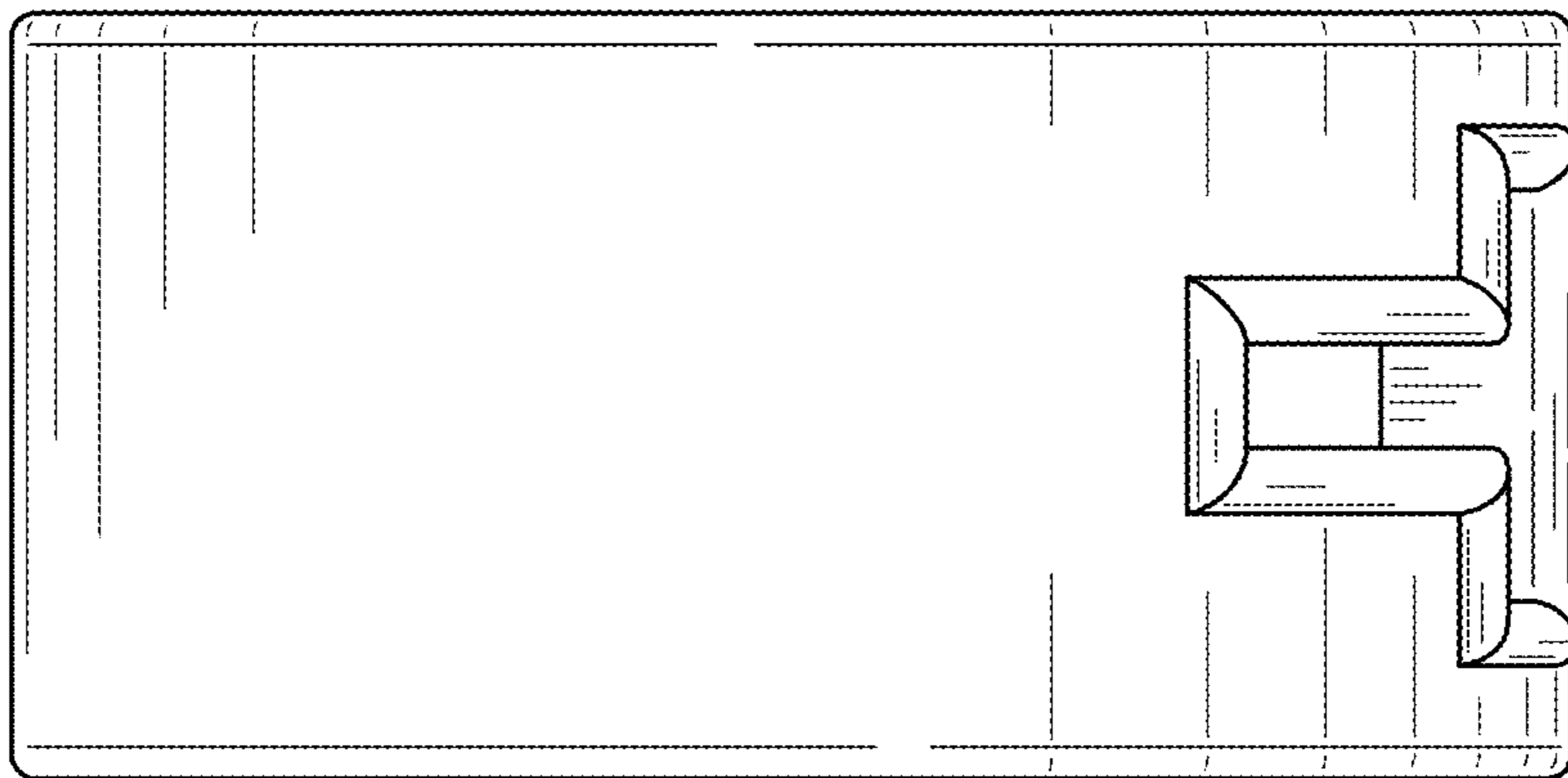


FIG. 5

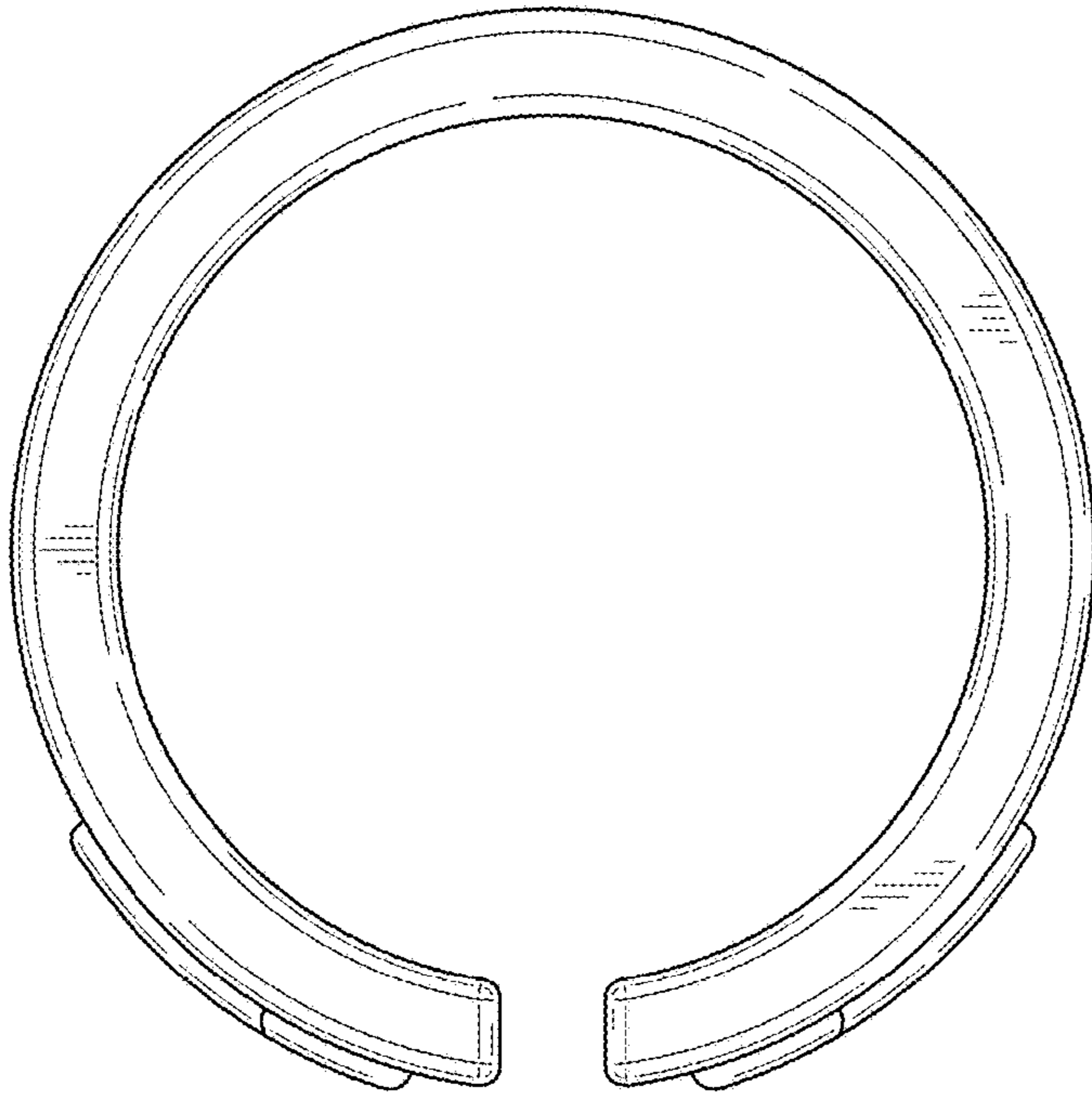


FIG. 6

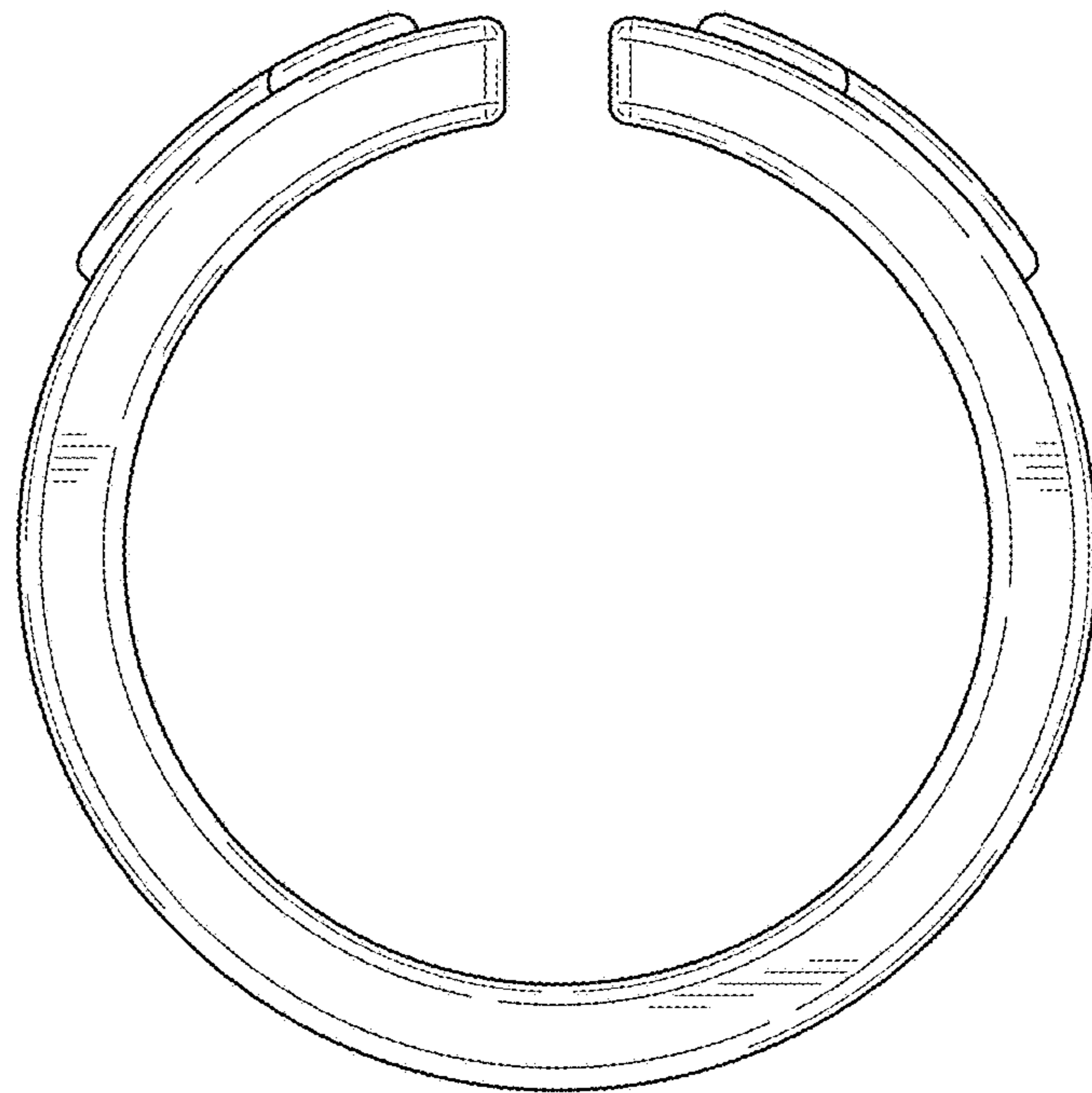


FIG. 7

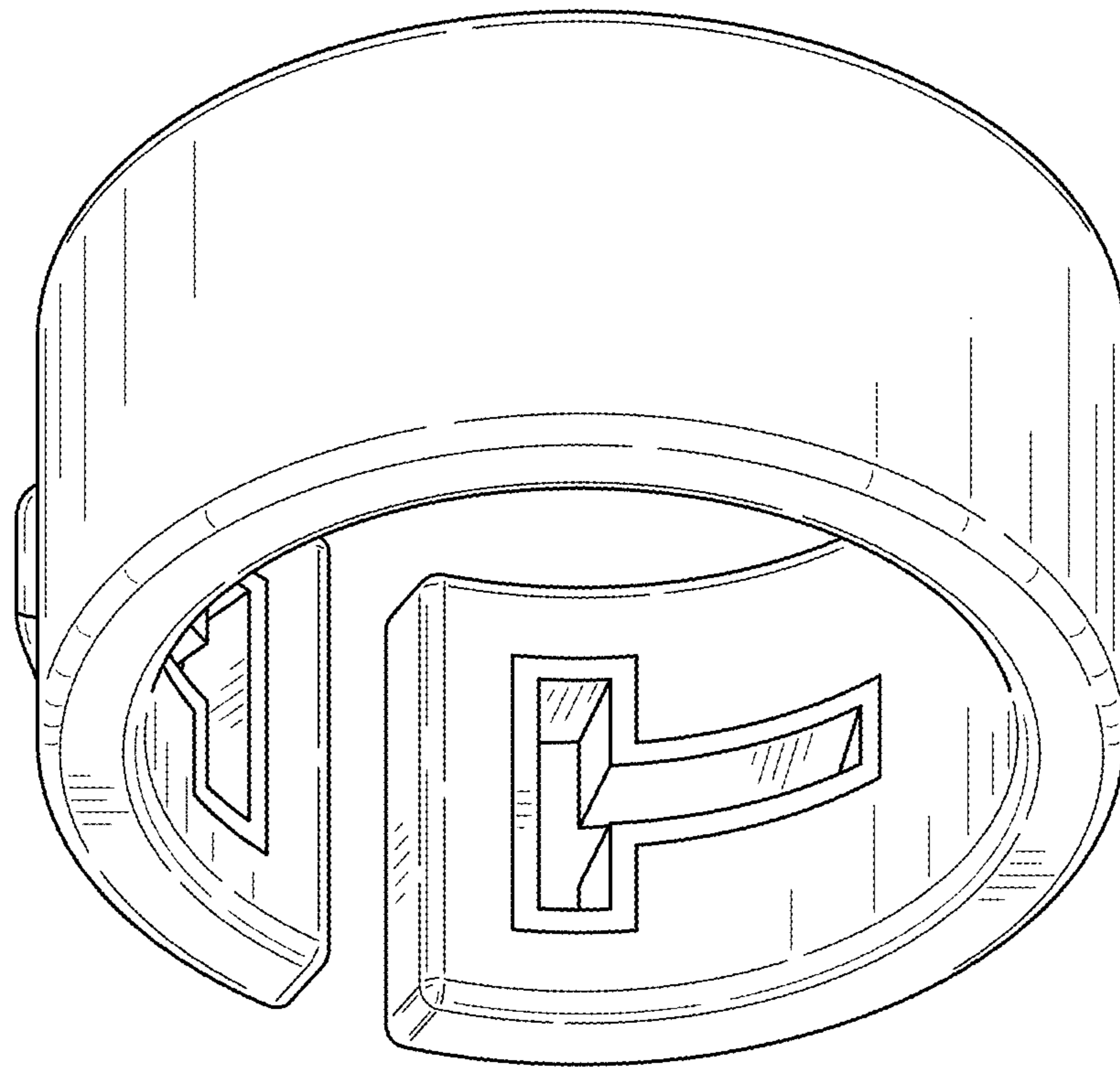


FIG. 8