



US00D778194S

(12) **United States Design Patent** (10) **Patent No.:** **US D778,194 S**
Rich (45) **Date of Patent:** **** Feb. 7, 2017**

(54) **TRAFFIC CONE** D462,286 S 9/2002 Perelli
6,928,952 B2 * 8/2005 Garcia E01F 9/688
116/63 C
(71) Applicant: **Steven Rich**, Montvale, NJ (US) 6,929,419 B1 8/2005 Kuo
7,007,630 B2 * 3/2006 Garcia E01F 9/688
116/63 C
(72) Inventor: **Steven Rich**, Montvale, NJ (US) 7,056,055 B1 6/2006 Kuo
(**) Term: **15 Years** (Continued)

(21) Appl. No.: **29/535,890**

(22) Filed: **Aug. 11, 2015**

(51) **LOC (10) Cl.** **10-05**

(52) **U.S. Cl.**
USPC **D10/113.2**

(58) **Field of Classification Search**
USPC D10/113.2, 113.4
CPC E01F 9/654; E01F 9/688
See application file for complete search history.

(56) **References Cited**

U.S. PATENT DOCUMENTS

2,719,505 A 10/1955 Blumenthal
2,817,308 A 12/1957 Scanlon
2,957,444 A 10/1960 Boettler
3,212,415 A 10/1965 Bryd
3,247,823 A * 4/1966 Buck E01F 9/654
116/63 C
D207,037 S 2/1967 Dawson
D212,134 S 8/1968 Dawson
3,596,628 A 8/1971 Wright
3,809,007 A 5/1974 Brown
D235,744 S 7/1975 England
D235,746 S 7/1975 England
4,466,376 A 8/1984 Wells
D295,026 S 4/1988 Lin
D315,874 S 4/1991 DeCaro
D317,580 S 6/1991 Thurston
D411,810 S 7/1999 Stockman
6,014,941 A * 1/2000 Bent E01F 9/688
116/63 P

FOREIGN PATENT DOCUMENTS

CA 2257766 A1 8/1999
EP 0141564 A2 5/1985
(Continued)

OTHER PUBLICATIONS

Anonymous, "Hollow Orange Cone by SafetySign.com—X5654", website, Jun. 17, 2015, <http://www.safetysign.com/products/p5019/hollow-orange-cone>.

(Continued)

Primary Examiner — George D Kirschbaum
(74) *Attorney, Agent, or Firm* — Werschulz Patent Law, LLC

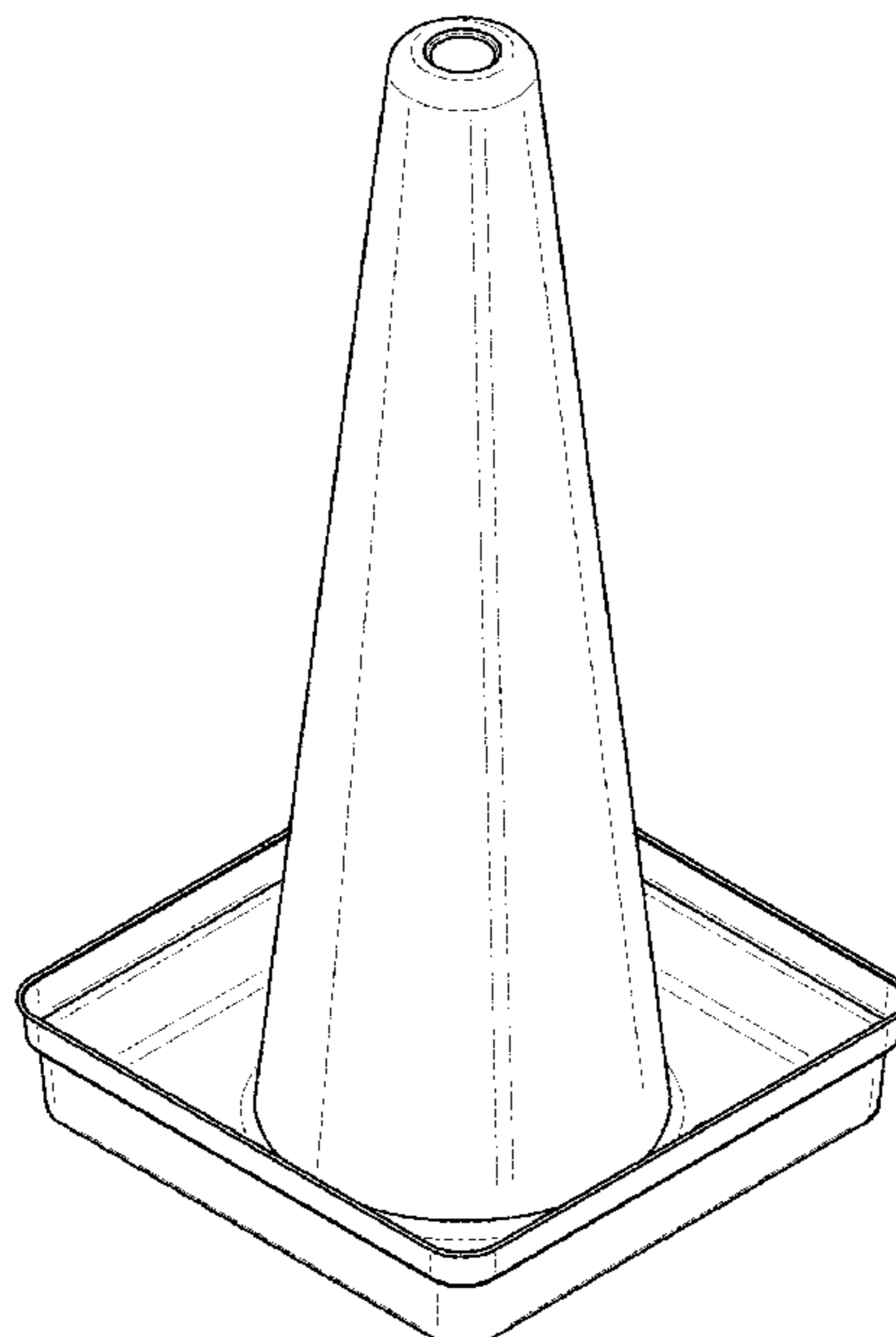
(57) **CLAIM**

The ornamental design for a traffic cone, as shown and described.

DESCRIPTION

FIG. 1 is a perspective view of a traffic cone showing my new design;
FIG. 2 is a top plan view thereof;
FIG. 3 is a bottom plan view thereof;
FIG. 4 is a front elevation view thereof;
FIG. 5 is a rear elevation view thereof;
FIG. 6 is a right side elevation view thereof; and,
FIG. 7 is a left side elevation view thereof.

1 Claim, 4 Drawing Sheets



(56)

References Cited

U.S. PATENT DOCUMENTS

D579,369 S 10/2008 Spataro
7,513,212 B2* 4/2009 Dvoracek E01F 9/654
116/63 C
D597,432 S 8/2009 Auberger
2004/0060499 A1 4/2004 Penque
2007/0113774 A1 5/2007 Kuo

FOREIGN PATENT DOCUMENTS

GB 1058881 2/1967
GB 2108182 5/1983

OTHER PUBLICATIONS

Anonymous, "Home of Disposable Traffic Cones, Disposable Safety Cone Products", website, Jun. 29, 2015, <http://www.safetycones.net>.

Anonymous, "Orange, Yellow, Lime Green Reflective PVC Road Cone Traffic Products", website, Jun. 12, 2015, Zhejiang Sanmen Eastsea Rubber Factory, URL: <http://zjeastsea.en.made-in-china.com/product/aXDnvgmbHhS/China-Orange-Yellow-Lime-Green-Reflective-PVC-Road-Cone-Traffic-Products.html>.

Anonymous, Disposable traffic cones safety barricades traffic control for job sites work area or public events. website, Disposacone®, www.disposacone.com, Jun. 29, 2015.

* cited by examiner

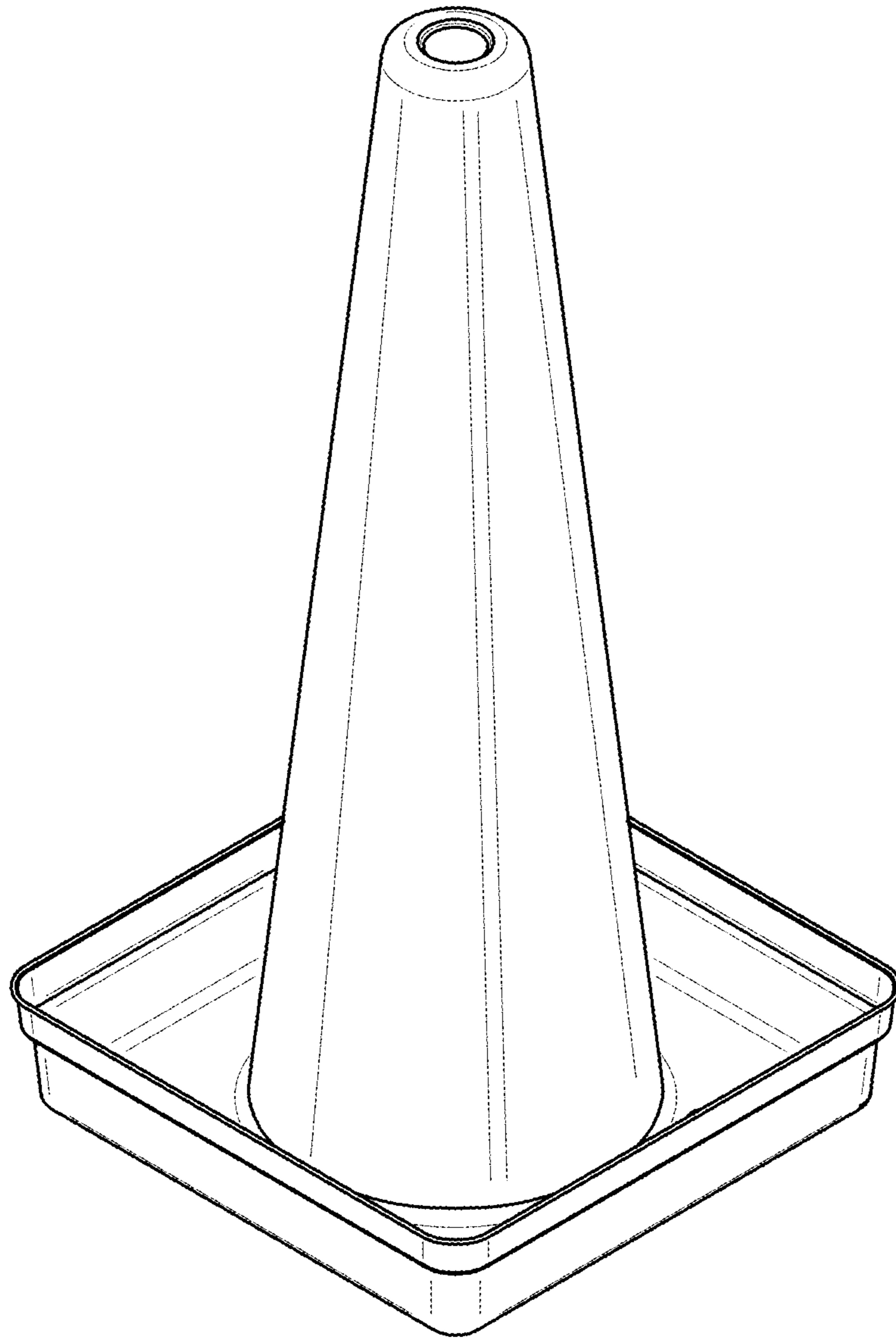


FIG. 1

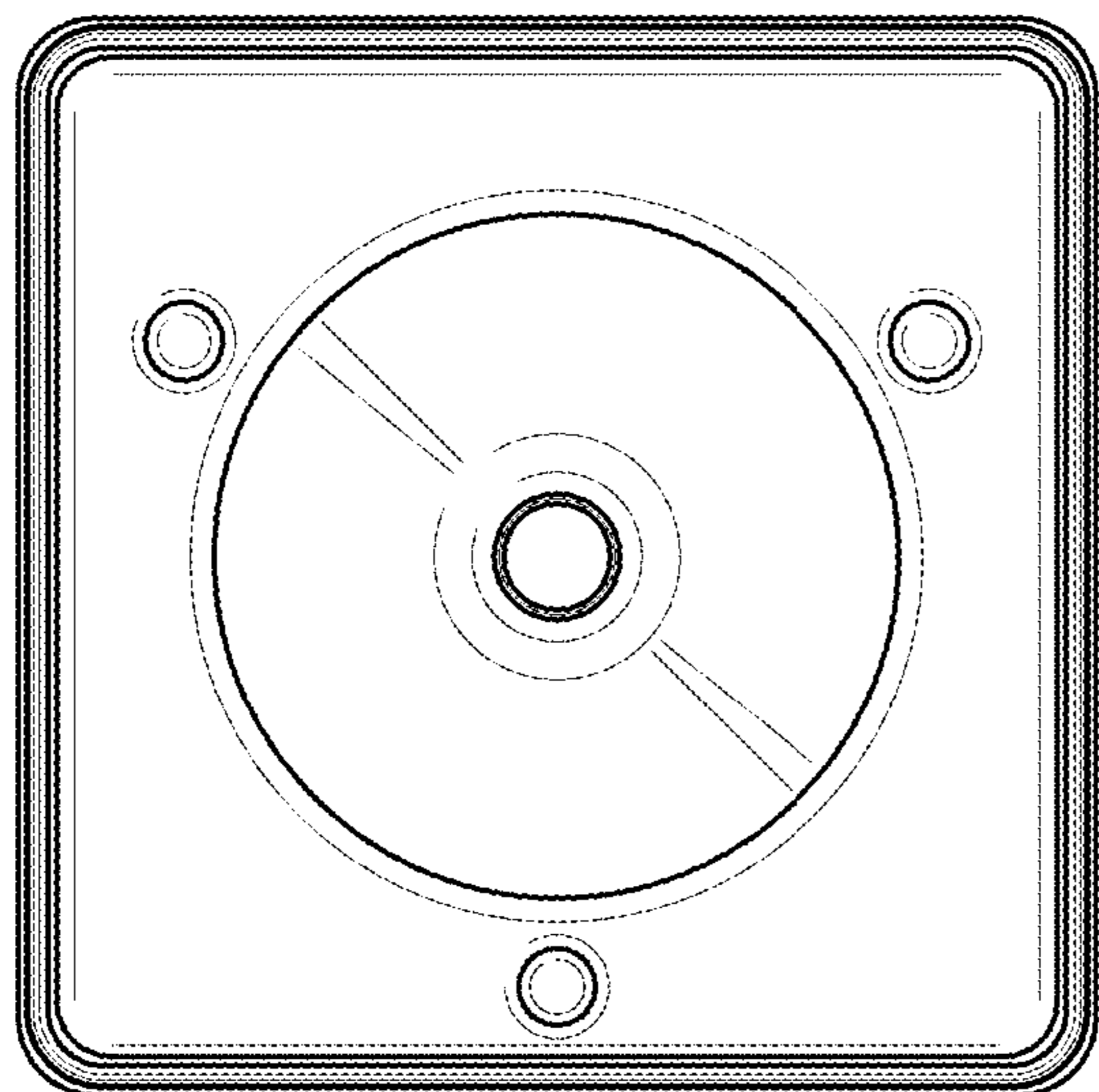


FIG. 2

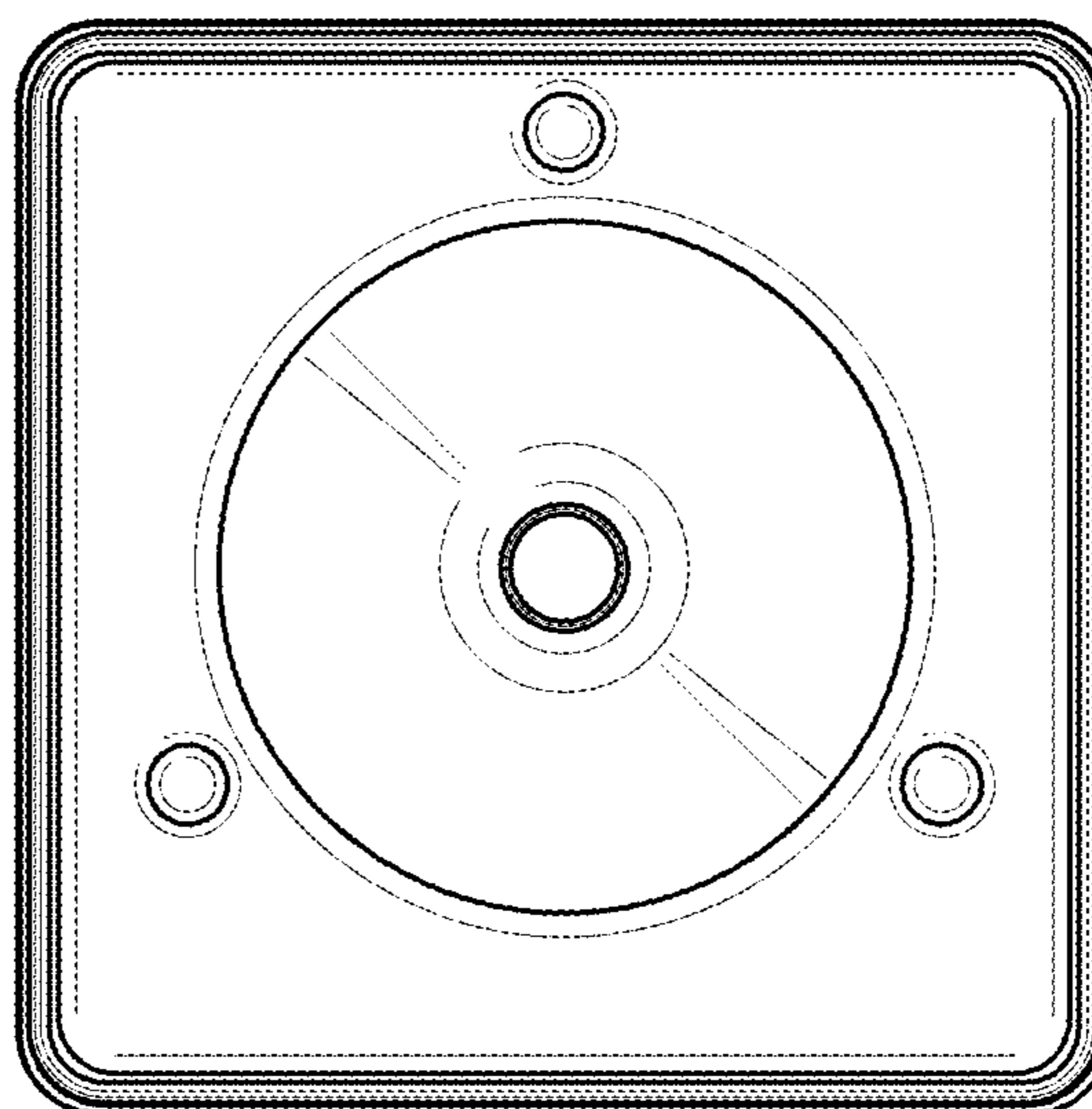


FIG. 3

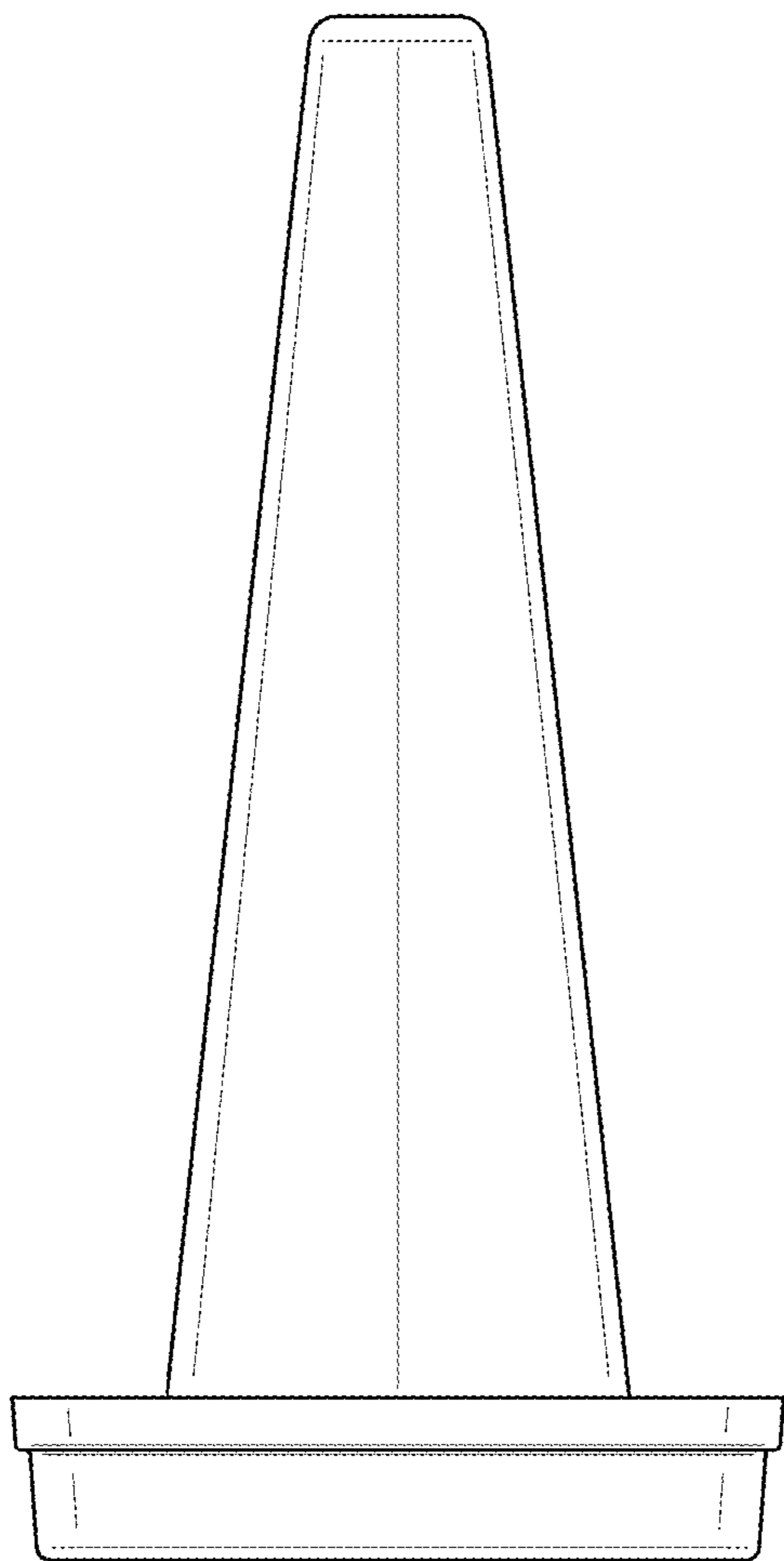


FIG. 4

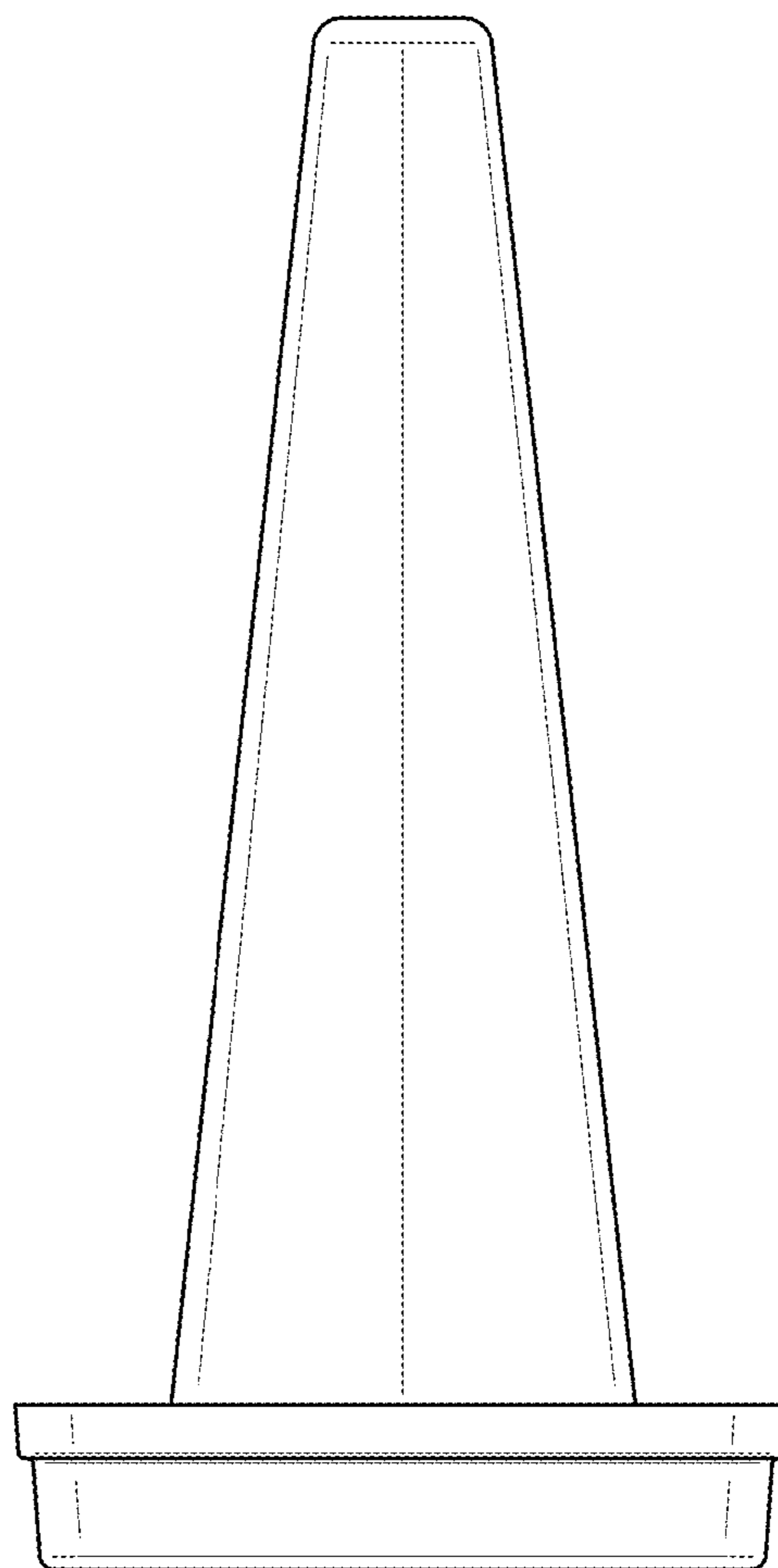


FIG. 5

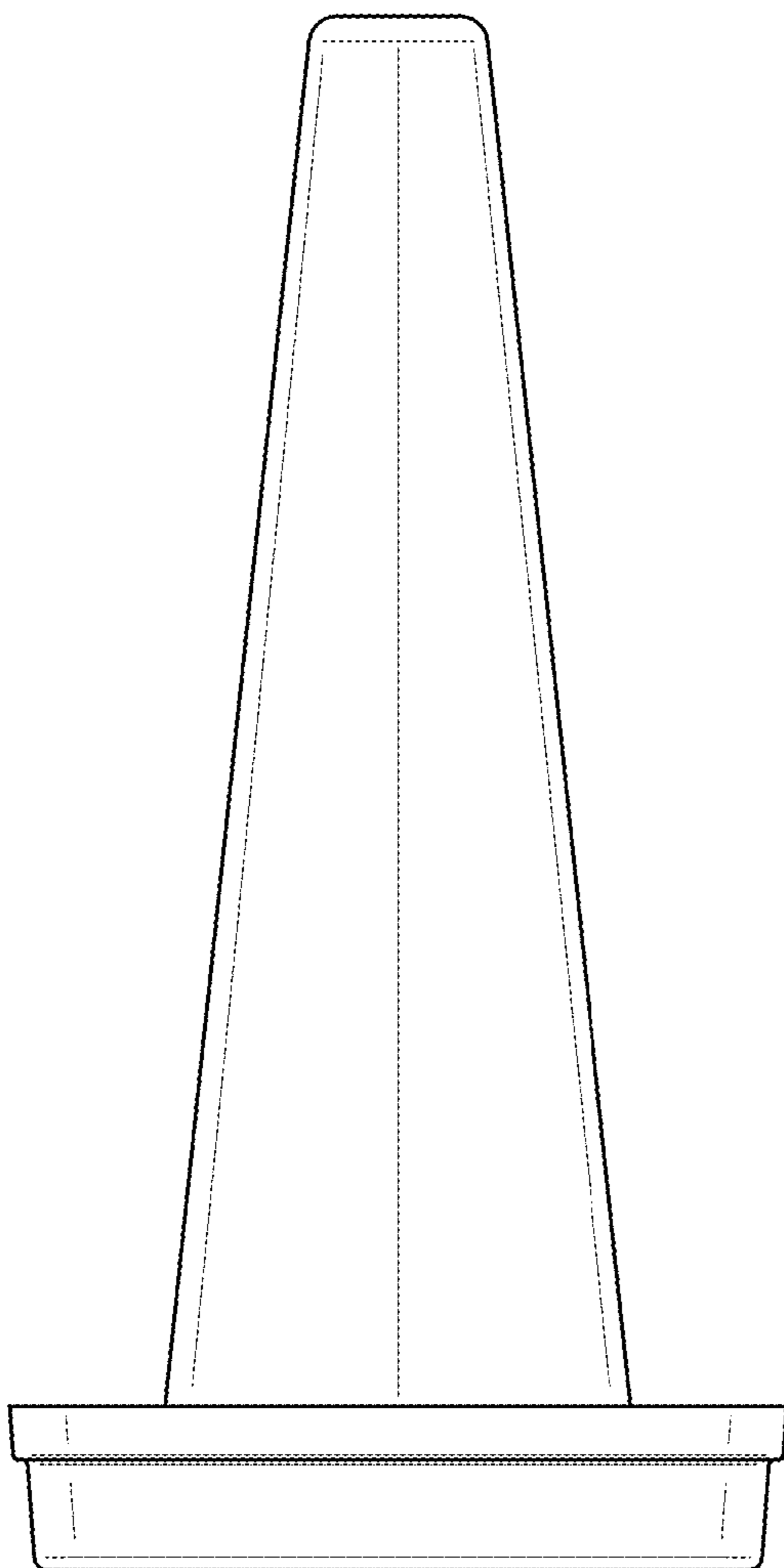


FIG. 6

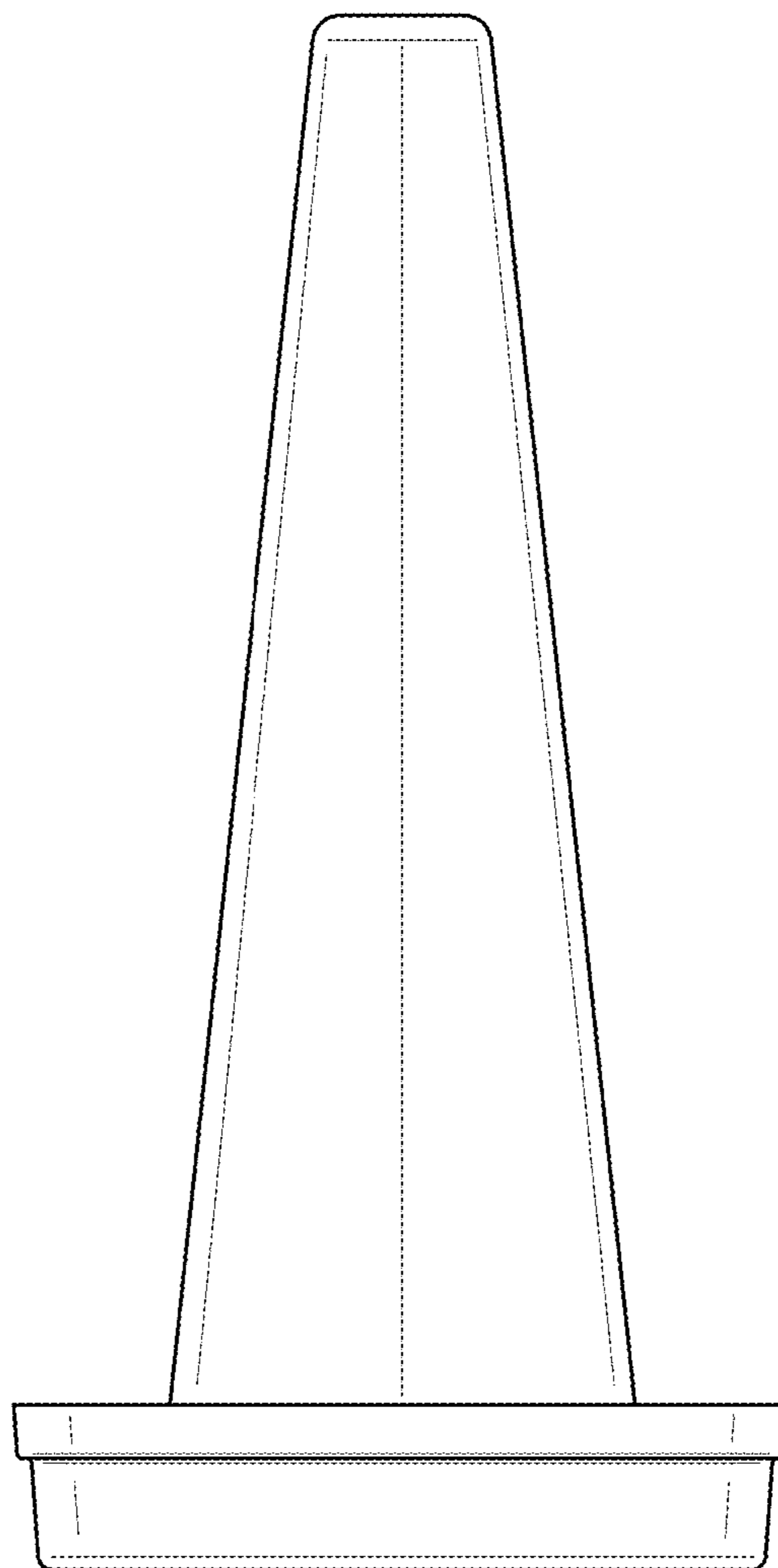


FIG. 7