

US00D778193S

(12) **United States Design Patent**
Scott

(10) **Patent No.:** **US D778,193 S**

(45) **Date of Patent:** **** Feb. 7, 2017**

(54) **ANTI-SKIMMING DEVICE**
(71) Applicant: **Cennox ATM Parts Ltd., Surrey (GB)**
(72) Inventor: **Kate Scott, Surrey (GB)**
(73) Assignee: **Cennox ATM Parts Ltd, Surrey (GB)**

D669,413 S * 10/2012 Lee D12/400
8,523,072 B2 * 9/2013 Randolph G06K 7/0056
235/380
8,870,072 B2 * 10/2014 Van Den
Bogart G06K 13/0843
235/439
9,010,628 B2 * 4/2015 Yesil G06K 7/084
235/379

(**) Term: **15 Years**

* cited by examiner

(21) Appl. No.: **29/532,349**

Primary Examiner — George D Kirschbaum

(22) Filed: **Jul. 6, 2015**

(74) *Attorney, Agent, or Firm* — Notaro, Michalos & Zaccaria P.C.

(30) **Foreign Application Priority Data**

(57) **CLAIM**

Jul. 6, 2015 (EM) 002731877

The ornamental design for an anti-skimming device, as shown and described.

(51) **LOC (10) Cl.** **10-05**

DESCRIPTION

(52) **U.S. Cl.**

USPC **D10/106.9**

(58) **Field of Classification Search**

USPC D10/104.1, 106.9, 121; D12/400
CPC ... G06K 7/084; G06K 7/0056; G06K 13/0843
See application file for complete search history.

FIG. 1 is a top perspective view of an anti-skimming device showing my new design therefor;
FIG. 2 is a top plan view thereof;
FIG. 3 is a bottom plan view thereof;
FIG. 4 is a front view thereof;
FIG. 5 is a rear view thereof;
FIG. 6 is a left side view thereof; and,
FIG. 7 is a right side view thereof.

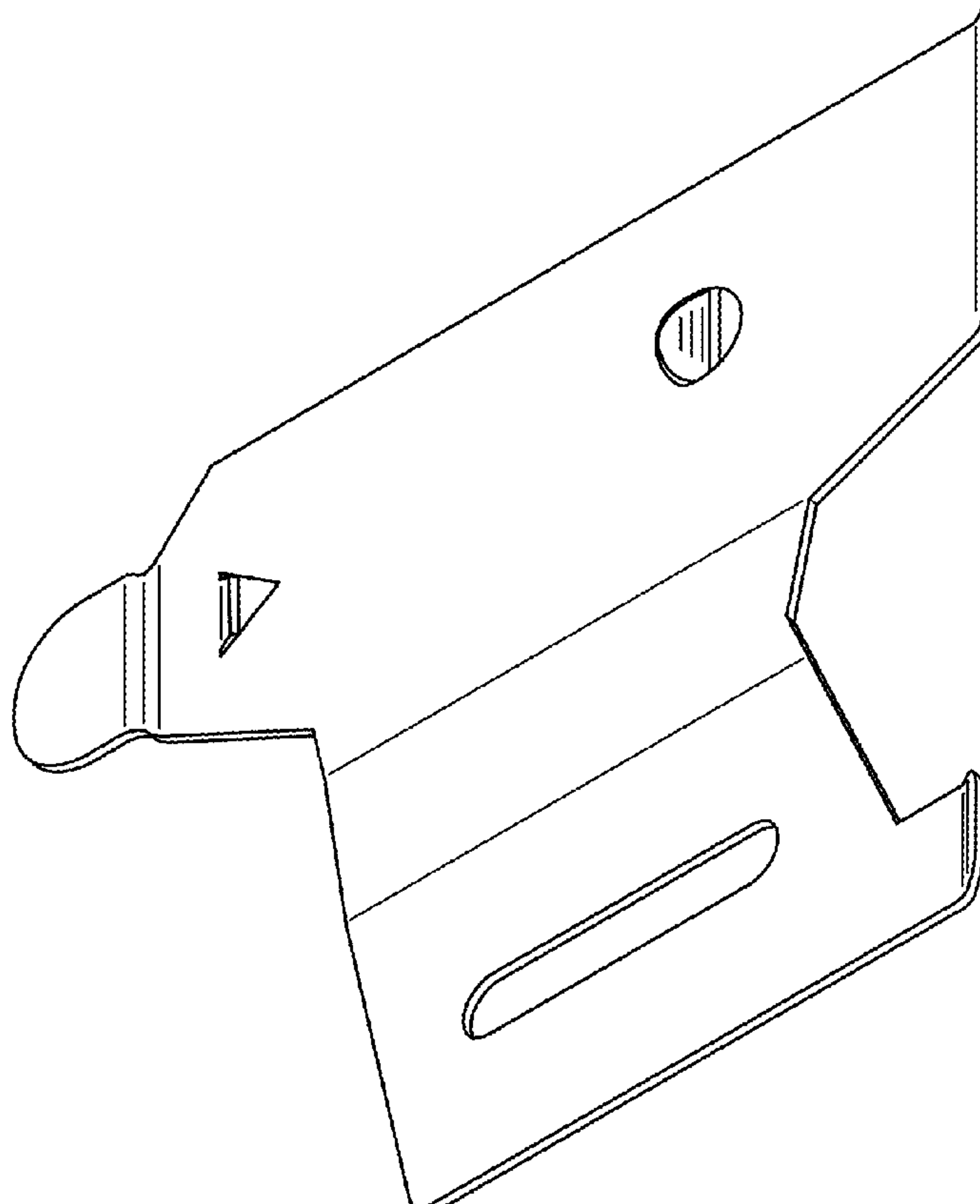
(56) **References Cited**

U.S. PATENT DOCUMENTS

7,195,172 B1 * 3/2007 Scarafile G06K 7/084
235/475
D649,078 S * 11/2011 Kestenbaum D10/121

In the drawings, the broken lines depict fold lines, which form part of the claimed design.

1 Claim, 5 Drawing Sheets



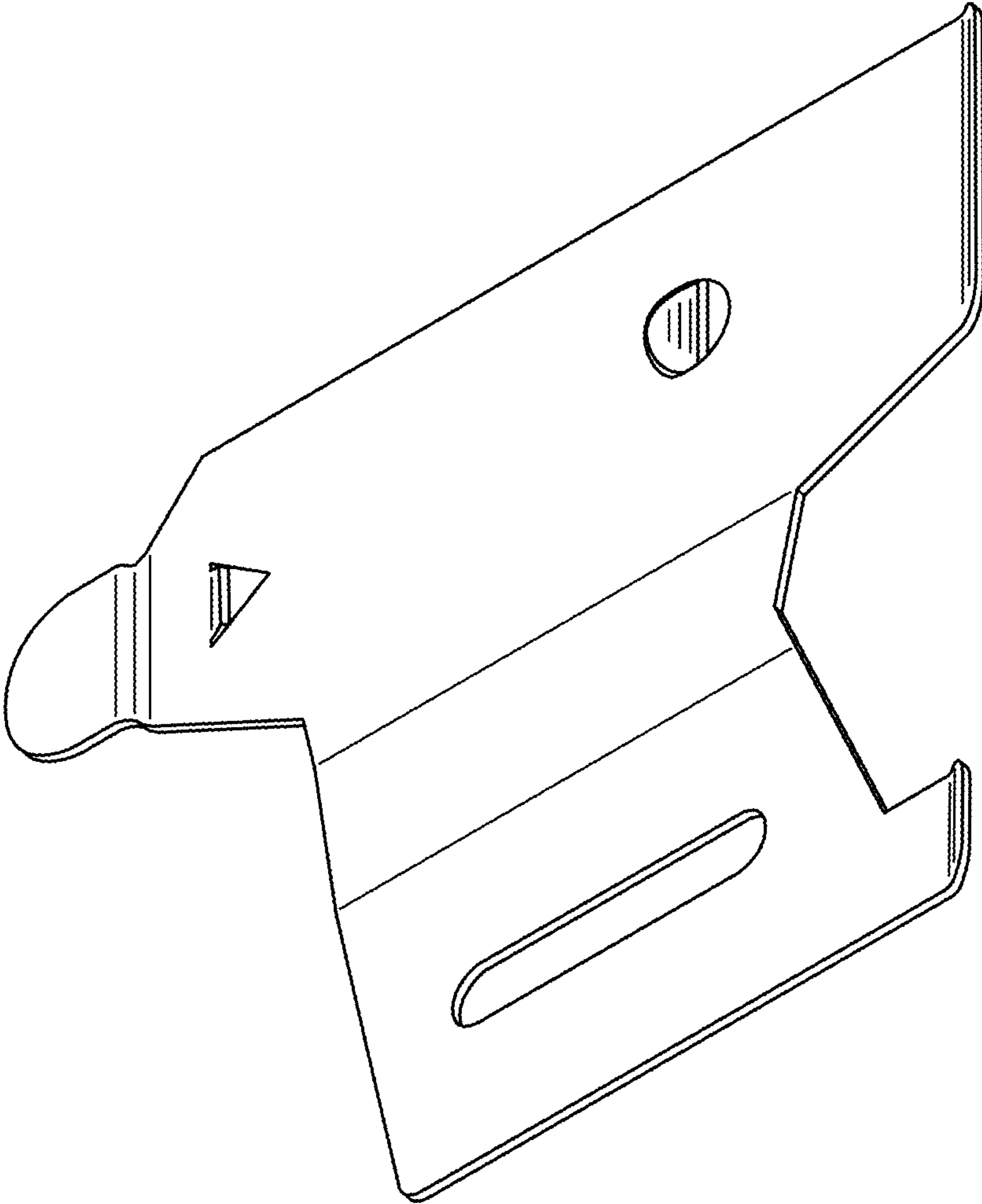


FIG. 1

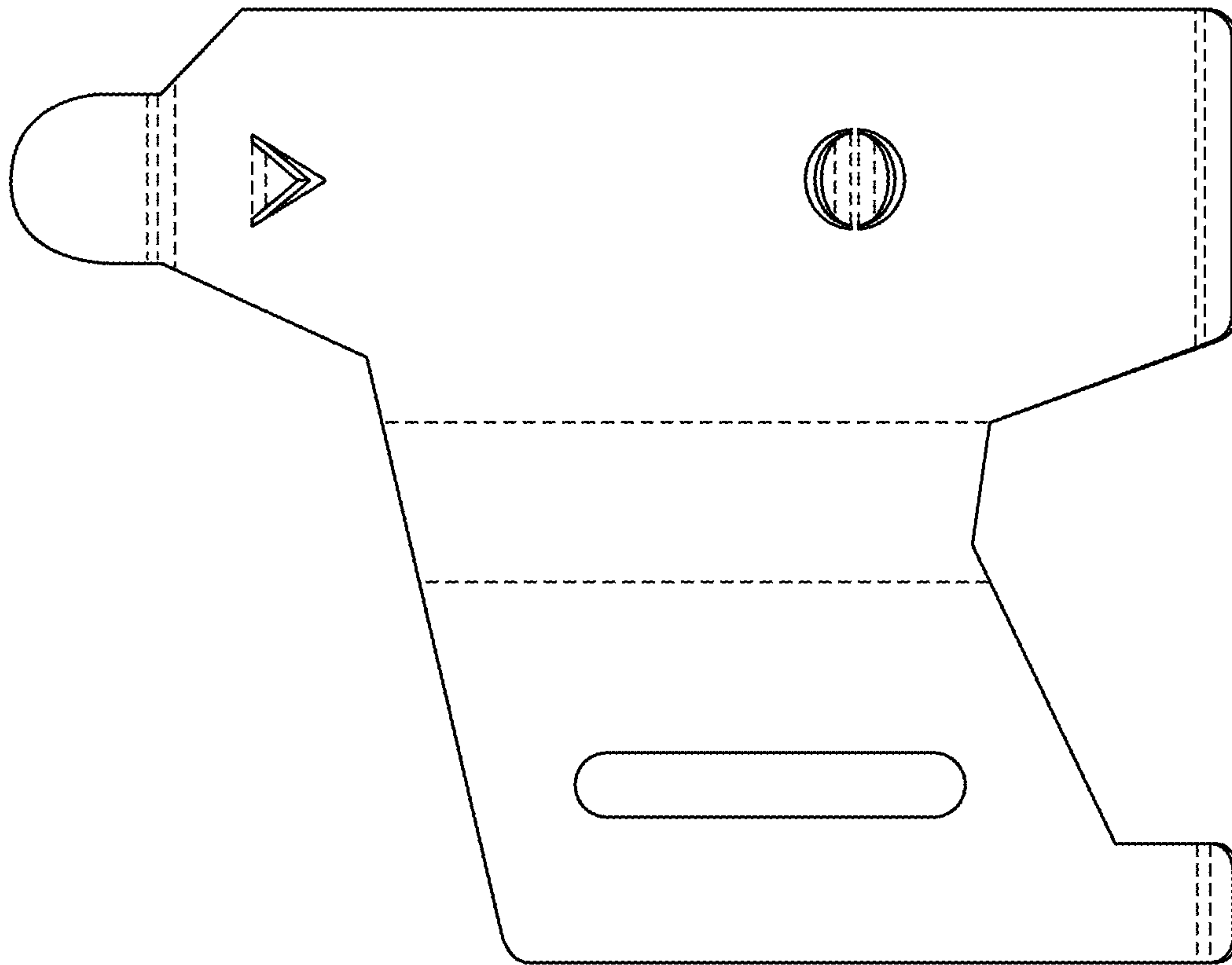


FIG. 2

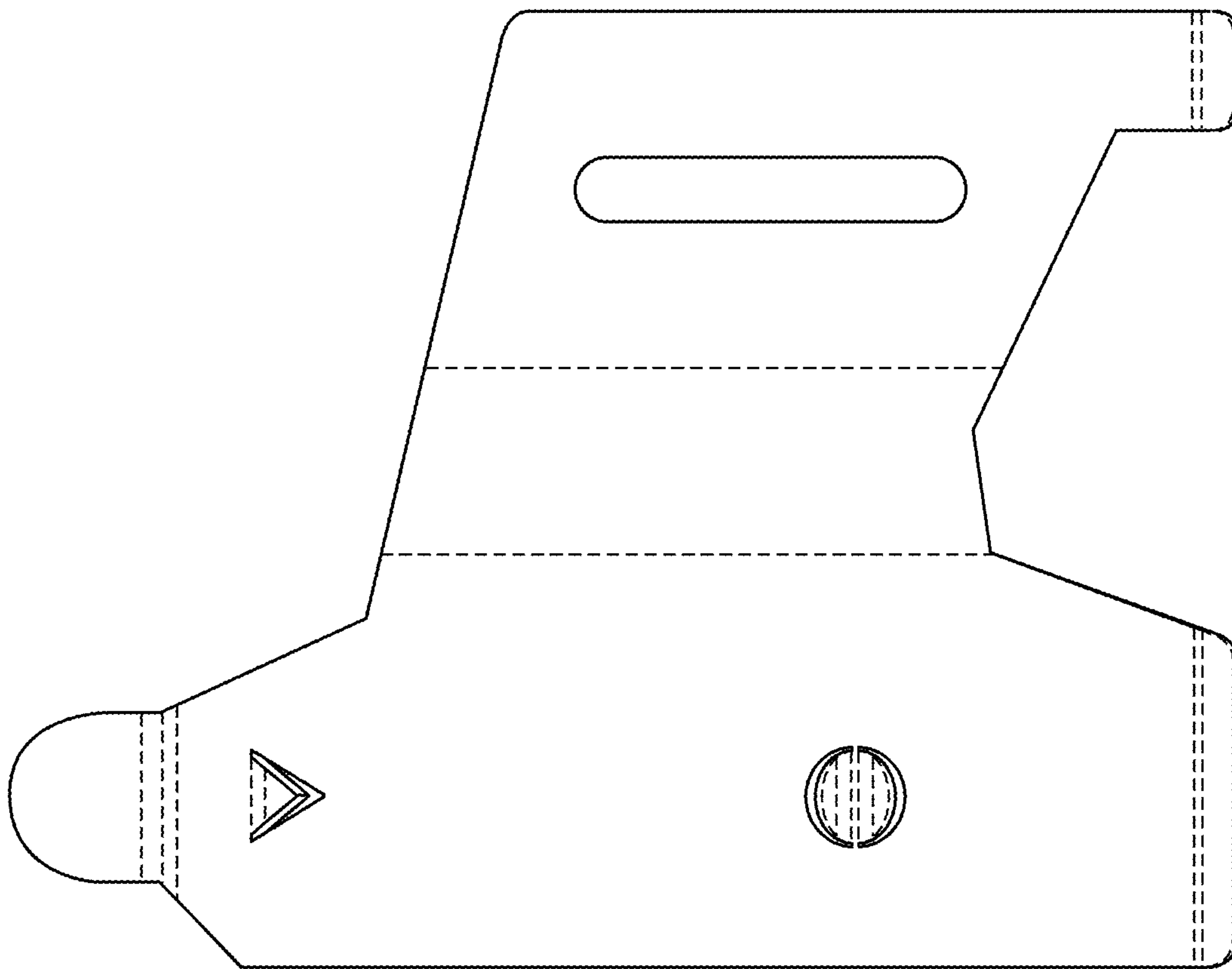


FIG. 3



FIG. 4



FIG. 5

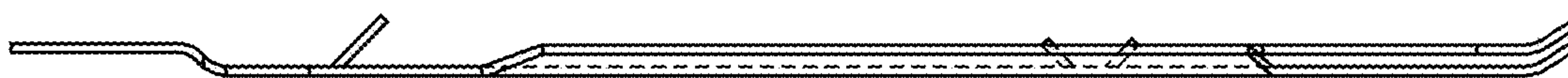


FIG. 6

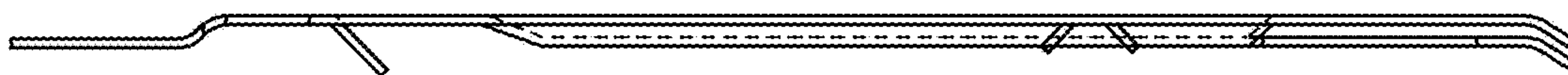


FIG. 7