



US00D778192S

(12) **United States Design Patent**
Bolger et al.

(10) **Patent No.:** **US D778,192 S**
(45) **Date of Patent:** **** Feb. 7, 2017**

- (54) **FIRE ALARM**
- (71) Applicant: **Sprue Safety Products Ltd.**, Coventry (GB)
- (72) Inventors: **Chris Bolger**, Coventry (GB); **Peter Brigham**, Coventry (GB)
- (73) Assignee: **SPRUE SAFETY PRODUCTS LTD.** (GB)
- (**) Term: **15 Years**
- (21) Appl. No.: **29/544,259**
- (22) Filed: **Nov. 2, 2015**
- (30) **Foreign Application Priority Data**

May 1, 2015 (EM) 002693473

(51) **LOC (10) Cl.** **10-05**

(52) **U.S. Cl.**
USPC **D10/106.2**

(58) **Field of Classification Search**
USPC D10/104.1, 106.1–106.8; D16/203;
340/571, 588, 628–630
CPC G08B 5/36; G08B 17/06; G08B 17/10;
G08B 5/38
See application file for complete search history.

(56) **References Cited**

U.S. PATENT DOCUMENTS

- D435,472 S * 12/2000 Dixon D10/106.1
- D600,582 S * 9/2009 Treharne D10/106.2

- D601,445 S * 10/2009 Morrow D10/106.2
- D653,137 S * 1/2012 Brigham D10/106.2
- D724,462 S * 3/2015 Bould D10/106.2

* cited by examiner

Primary Examiner — Sandra Morris

(74) *Attorney, Agent, or Firm* — Levenfeld Pearlstein, LLC

(57) **CLAIM**

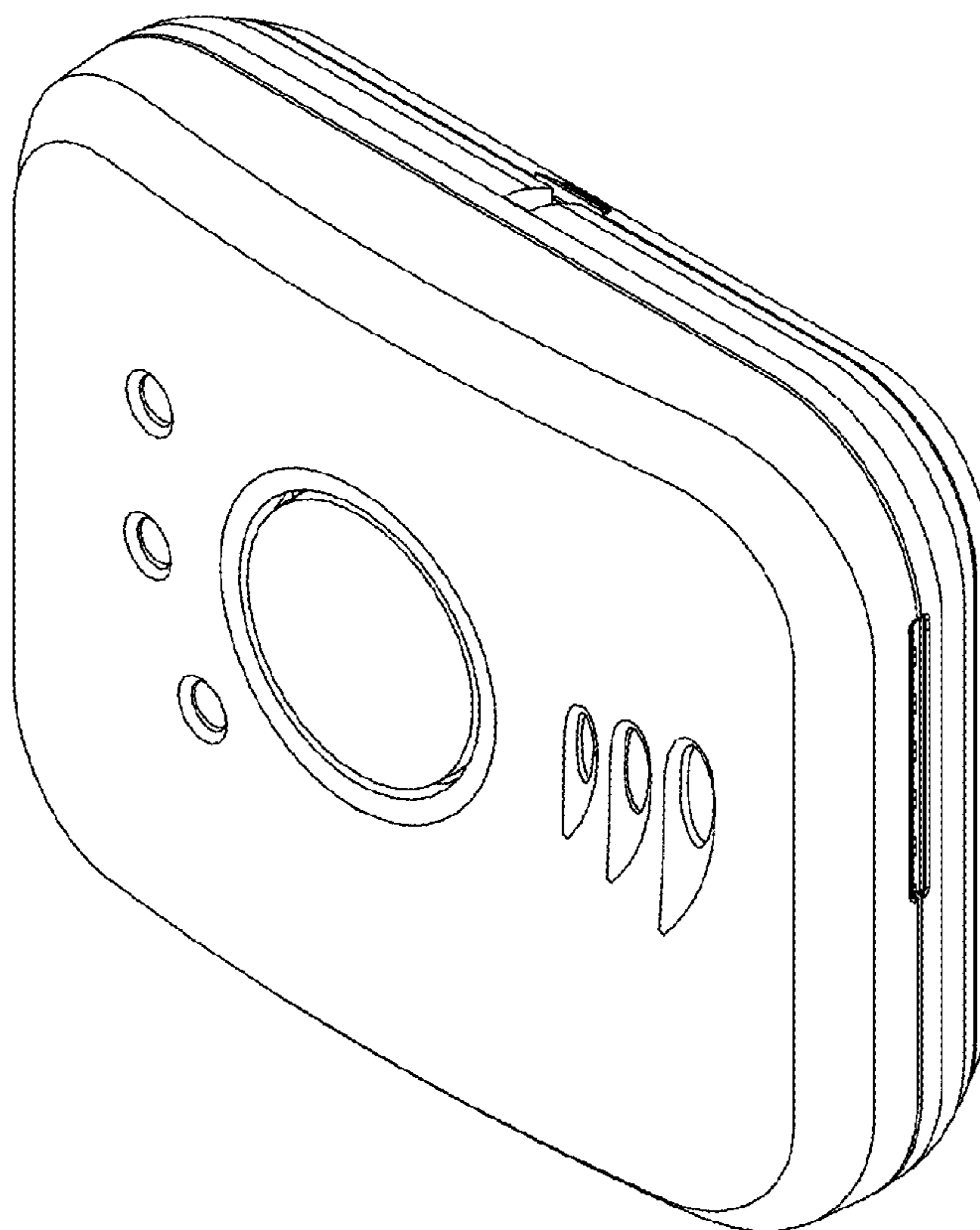
The ornamental design for a fire alarm, as shown and described.

DESCRIPTION

FIG. 1 is a front perspective view of a fire alarm embodying our new design;
FIG. 2 is a front view thereof;
FIG. 3 is a rear view thereof;
FIG. 4 is a top view thereof;
FIG. 5 is a bottom view thereof;
FIG. 6 is a side view thereof, as seen from the right-hand side of FIG. 2; and,
FIG. 7 is a side view thereof, as seen from the left-hand side of FIG. 2.

The broken lines showing in FIGS. 3 and 5 are for illustrative purposes only and form no part of the claimed design.

1 Claim, 7 Drawing Sheets



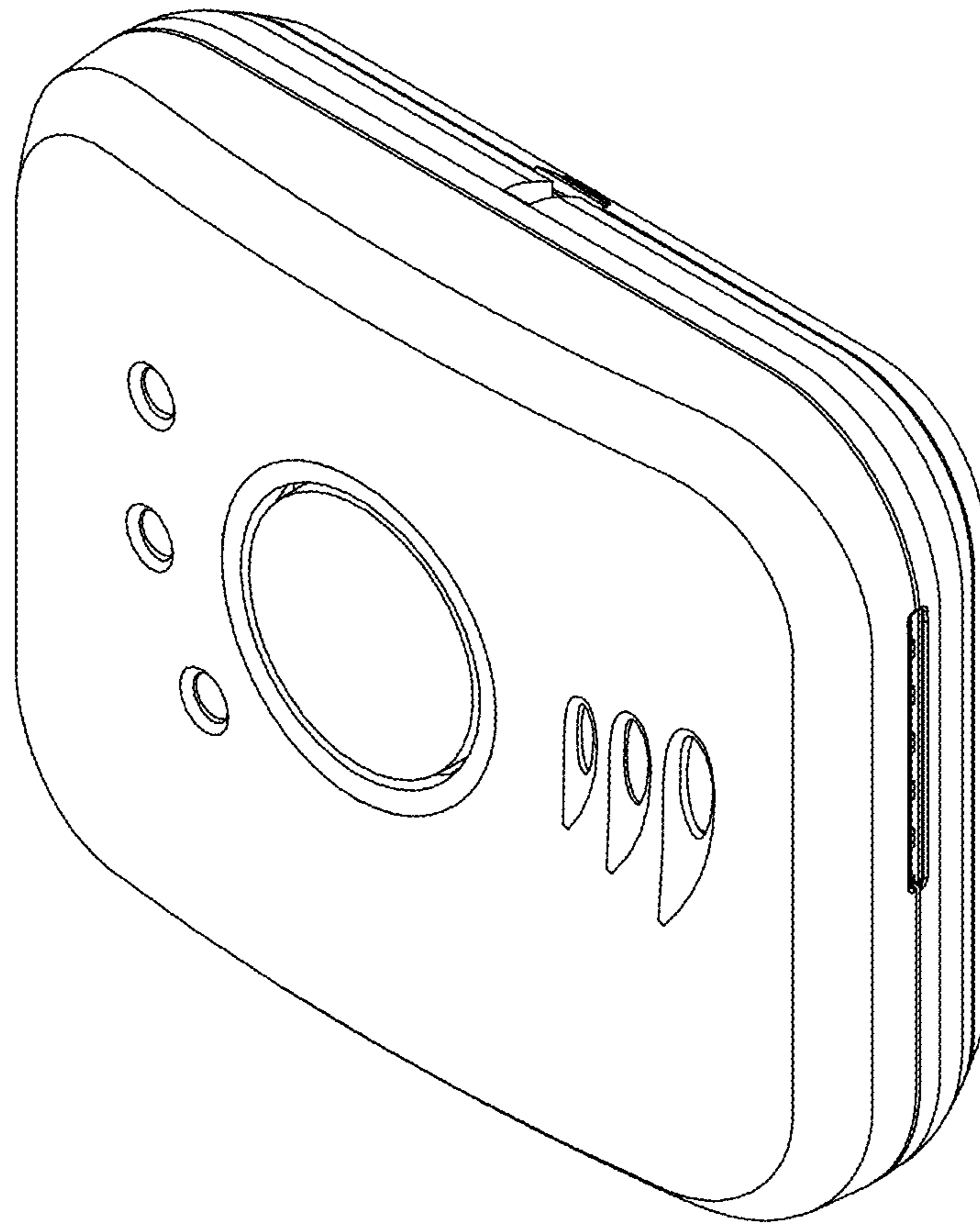


FIG. 1

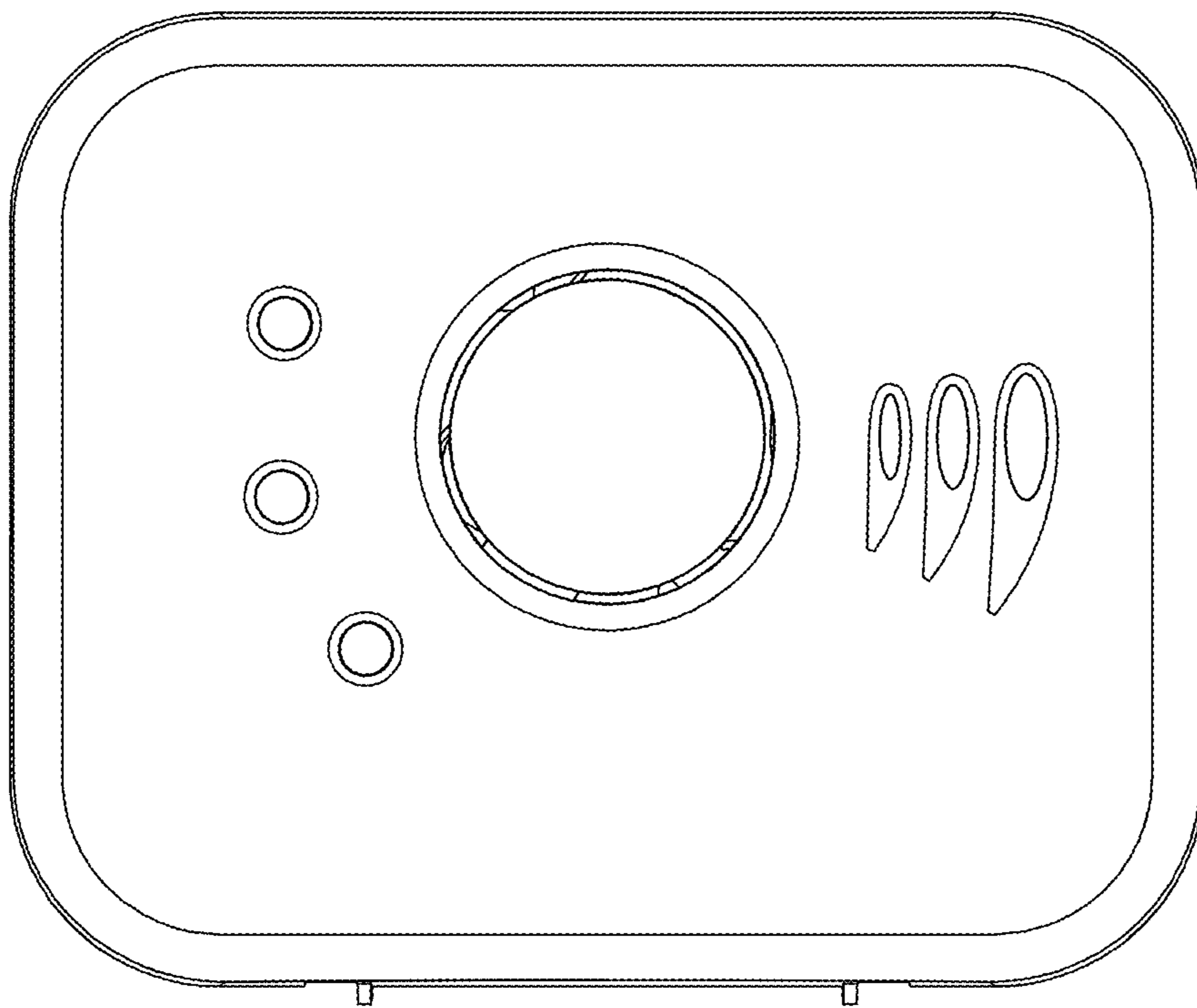


FIG. 2

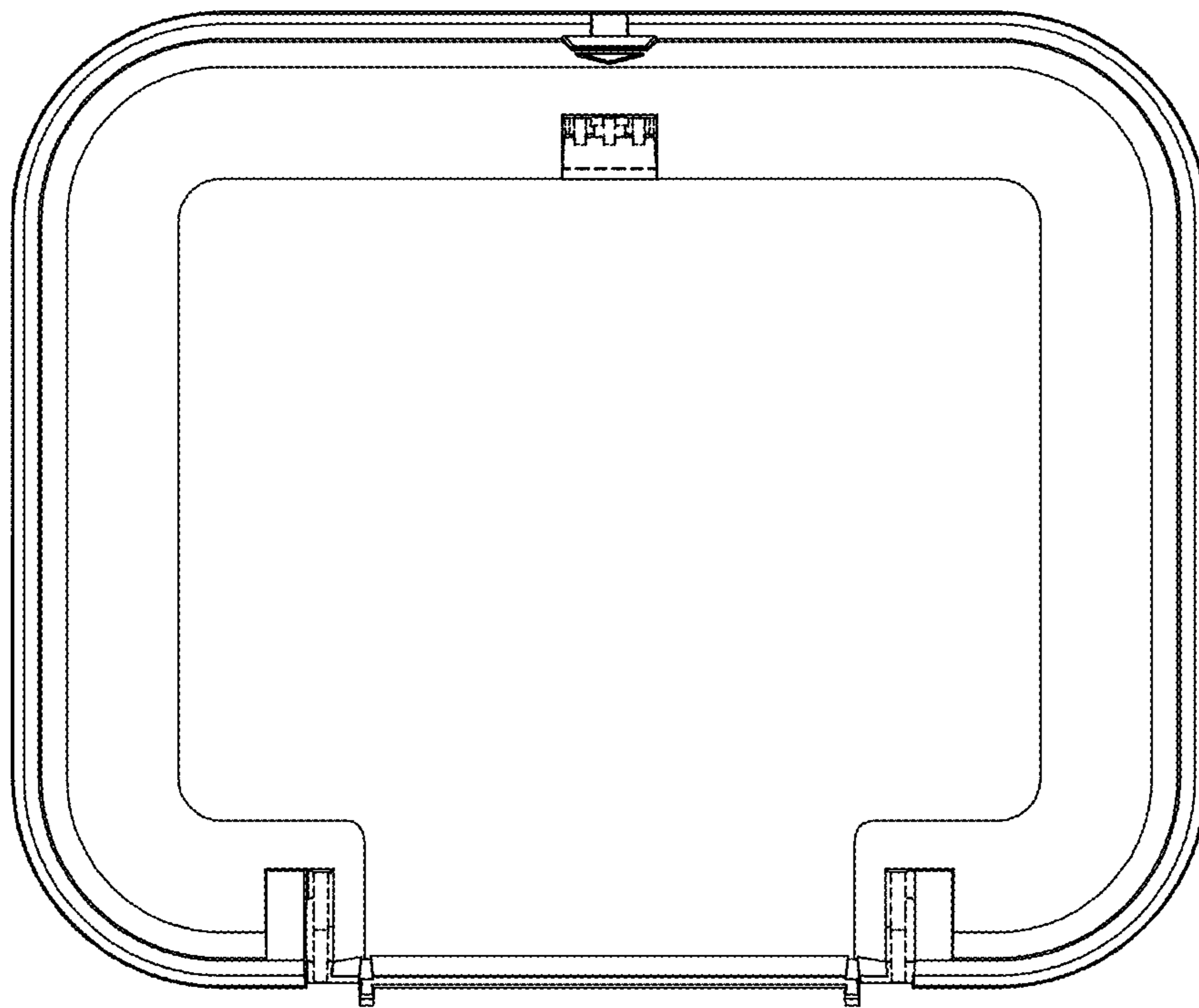


FIG. 3

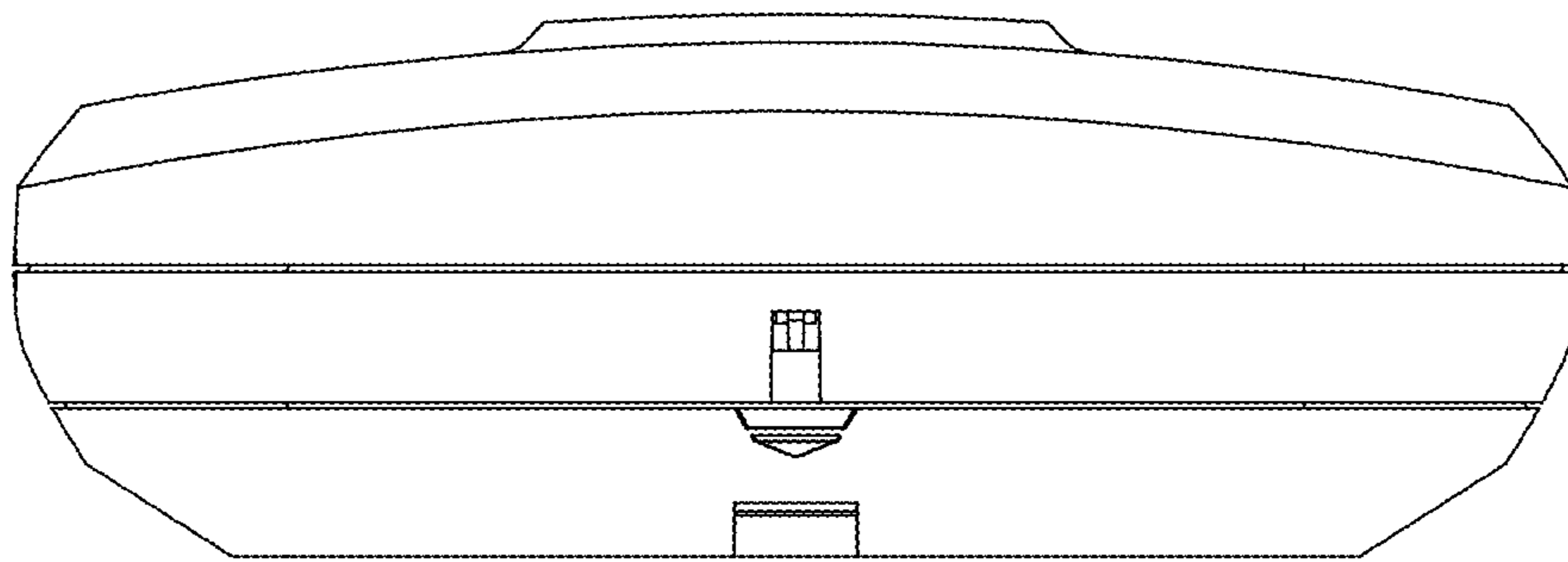


FIG. 4

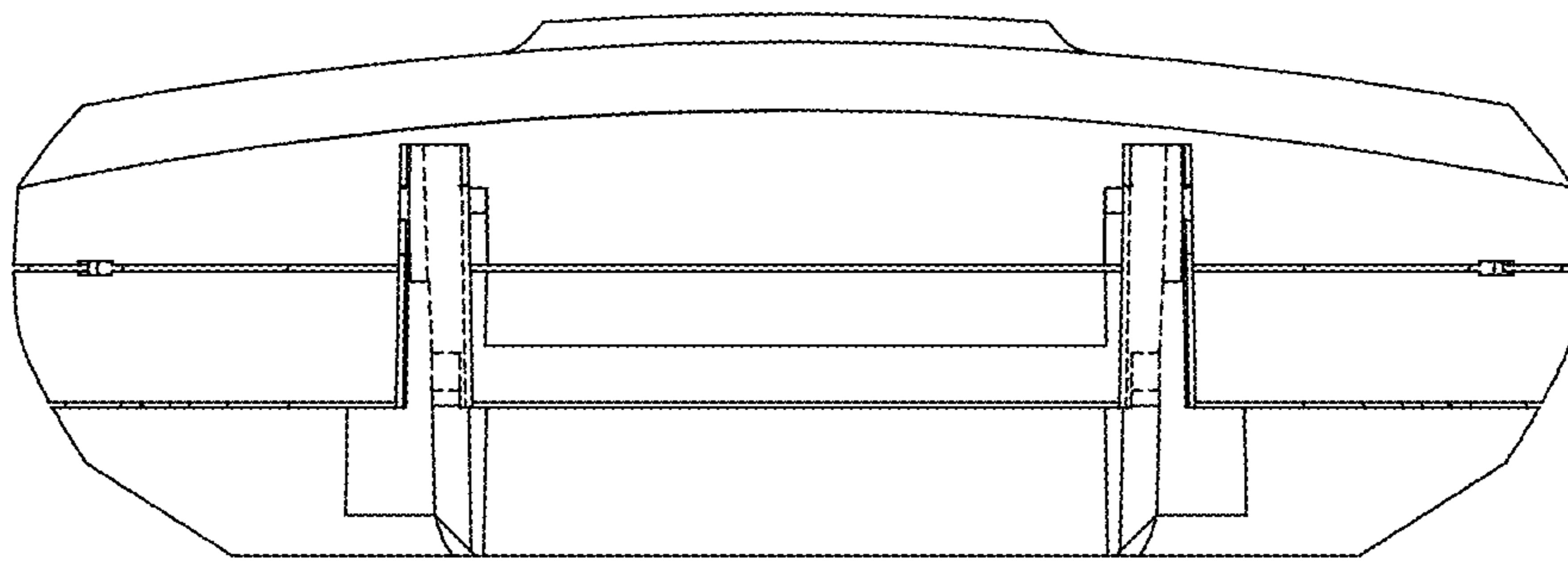


FIG. 5

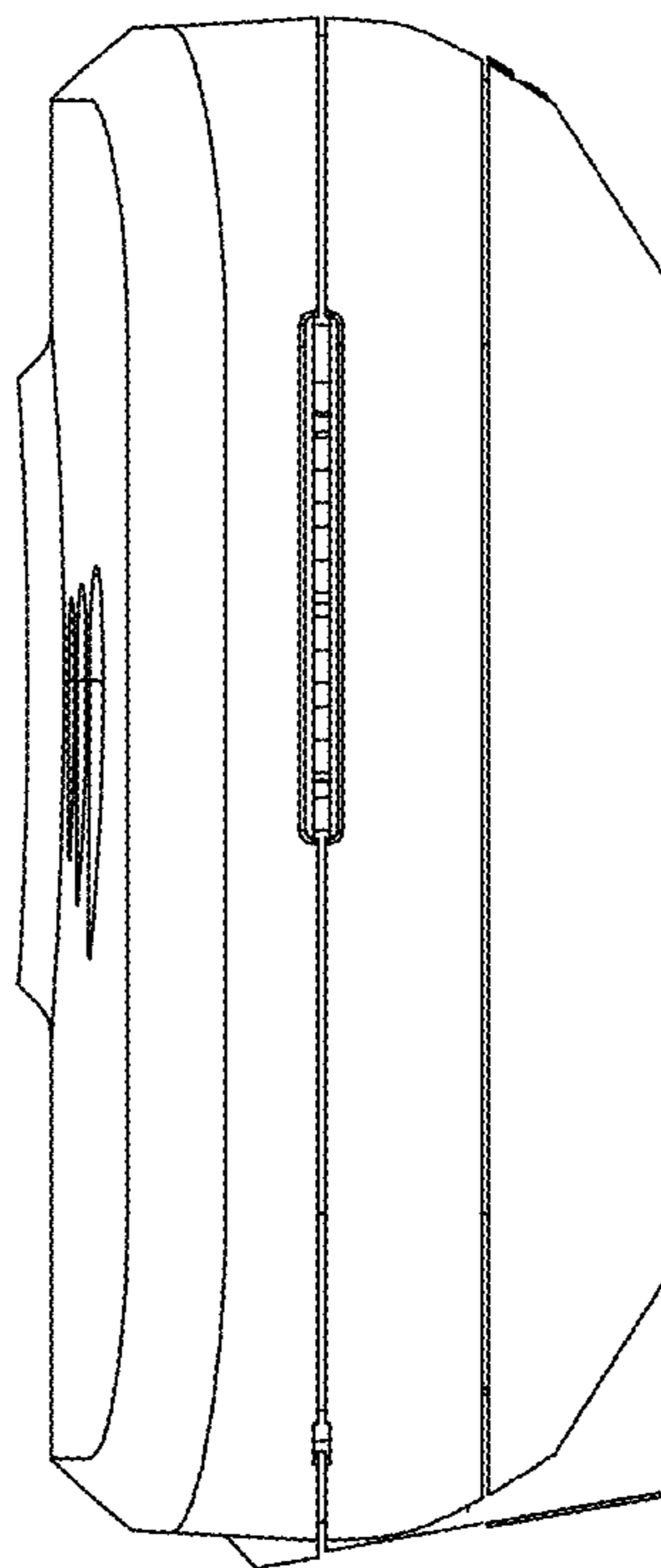


FIG. 6

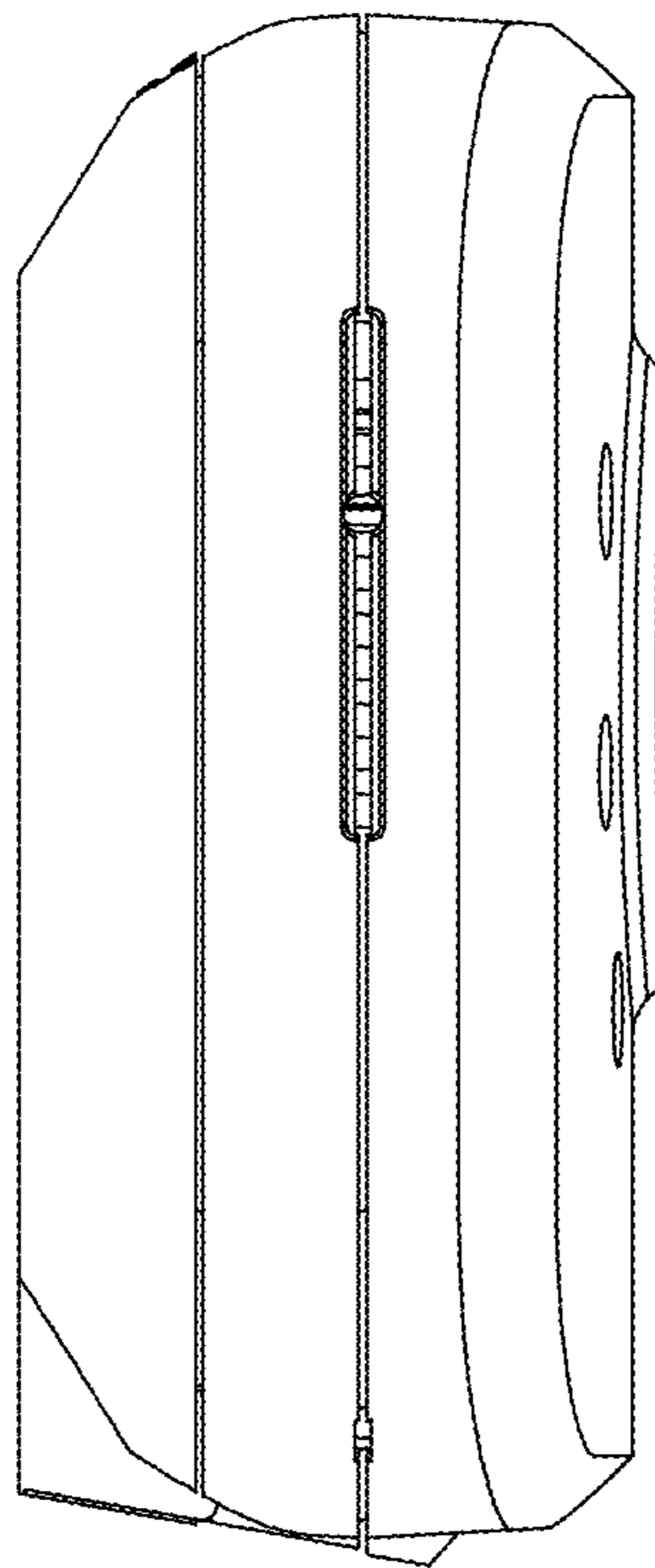


FIG. 7