



US00D778191S

(12) **United States Design Patent** (10) **Patent No.:** **US D778,191 S**
VanDuyn et al. (45) **Date of Patent:** **** Feb. 7, 2017**

(54) **BUZZER**
(71) Applicant: **EchoStar Technologies L.L.C.**,
Englewood, CO (US)
(72) Inventors: **Luke VanDuyn**, Conifer, CO (US);
Neil T. Marten, Lakewood, CO (US)
(73) Assignee: **ECHOSTAR TECHNOLOGIES**
L.L.C., Englewood, CO (US)
(**) Term: **15 Years**
(21) Appl. No.: **29/550,328**
(22) Filed: **Dec. 31, 2015**
(51) **LOC (10) Cl.** **14-02**
(52) **U.S. Cl.**
USPC **D10/104.1**
(58) **Field of Classification Search**
USPC D10/104.1; D14/125, 140-140.9, 155,
D14/137, 139, 432-433, 348, 349,
D14/356-358, 363, 474, 480.1, 203.1,
D14/240, 242
CPC H04L 12/00; H03K 17/00; H04W 88/00;
H04W 88/005; H04W 88/02; H04W
88/08; H04W 88/085; H04W
88/10; H04W 88/12; H04W
88/14; H04W 88/18; H04B 1/38; H04B
1/3827
See application file for complete search history.

(56) **References Cited**
U.S. PATENT DOCUMENTS
D244,202 S * 5/1977 Corrado D14/476
D314,368 S * 2/1991 Schwartz D13/137.3
D433,382 S * 11/2000 Lytel D13/123
D514,590 S * 2/2006 Naruki D14/203.3
D535,281 S * 1/2007 Yang D14/203.3
D541,272 S * 4/2007 Wang D14/356
D574,360 S * 8/2008 Matsuoka D14/168

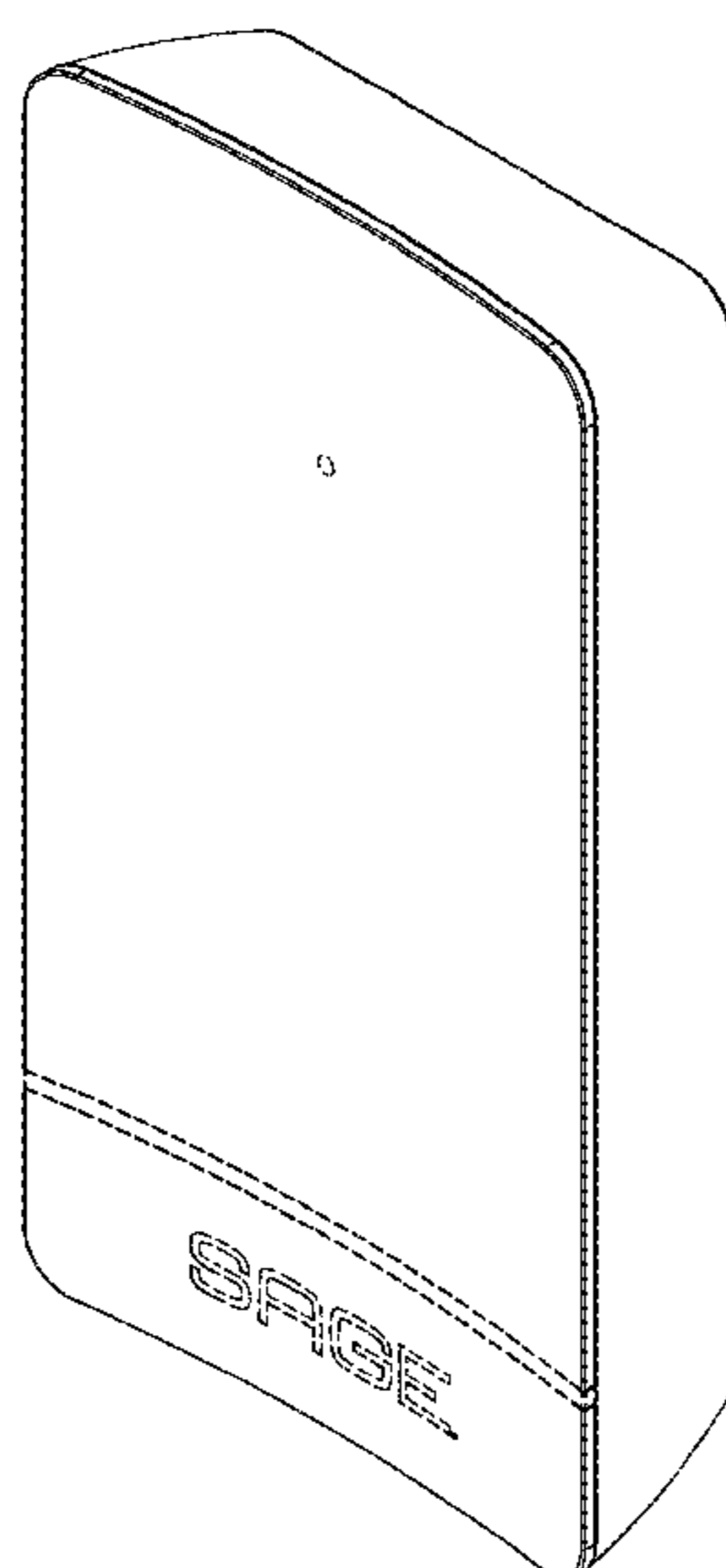
D575,775 S * 8/2008 Sekine D13/137.3
D592,632 S * 5/2009 Lee D14/130
D606,038 S * 12/2009 Aarras D14/138 G
D638,003 S * 5/2011 Chen D14/203.7
D641,025 S * 7/2011 Ohno D14/258
D647,920 S * 11/2011 Luo D14/203.3
D654,917 S * 2/2012 Chaturvedi D14/358
D661,249 S * 6/2012 Smith D13/110
D664,130 S * 7/2012 Lee D14/240
D665,354 S * 8/2012 Chen D13/138.1
D669,079 S * 10/2012 Hansen D14/420
D684,957 S * 6/2013 Smith D14/242
D702,218 S * 4/2014 Wu D14/242
D705,170 S * 5/2014 Diehl D13/137.1
D708,977 S * 7/2014 Corso D10/104.1
D722,985 S * 2/2015 Won D14/125
D724,036 S * 3/2015 Cha D13/162
D737,709 S * 9/2015 Hulan D10/104.1
D751,635 S * 3/2016 Jung D18/50
D755,762 S * 5/2016 Moon D14/242

* cited by examiner
Primary Examiner — George D Kirschbaum
Assistant Examiner — Joseph Kukella
(74) *Attorney, Agent, or Firm* — Kilpatrick Townsend &
Stockton LLP

(57) **CLAIM**
We claim the ornamental design for a buzzer, as shown and
described.

DESCRIPTION
FIG. 1 is a front view of a buzzer;
FIG. 2 is a left side view thereof;
FIG. 3 is a right side view thereof;
FIG. 4 is a top side view thereof;
FIG. 5 is a bottom view thereof;
FIG. 6 is a back view thereof; and,
FIG. 7 is a perspective view thereof.
The broken lines depict unclaimed environmental subject
matter.

1 Claim, 7 Drawing Sheets



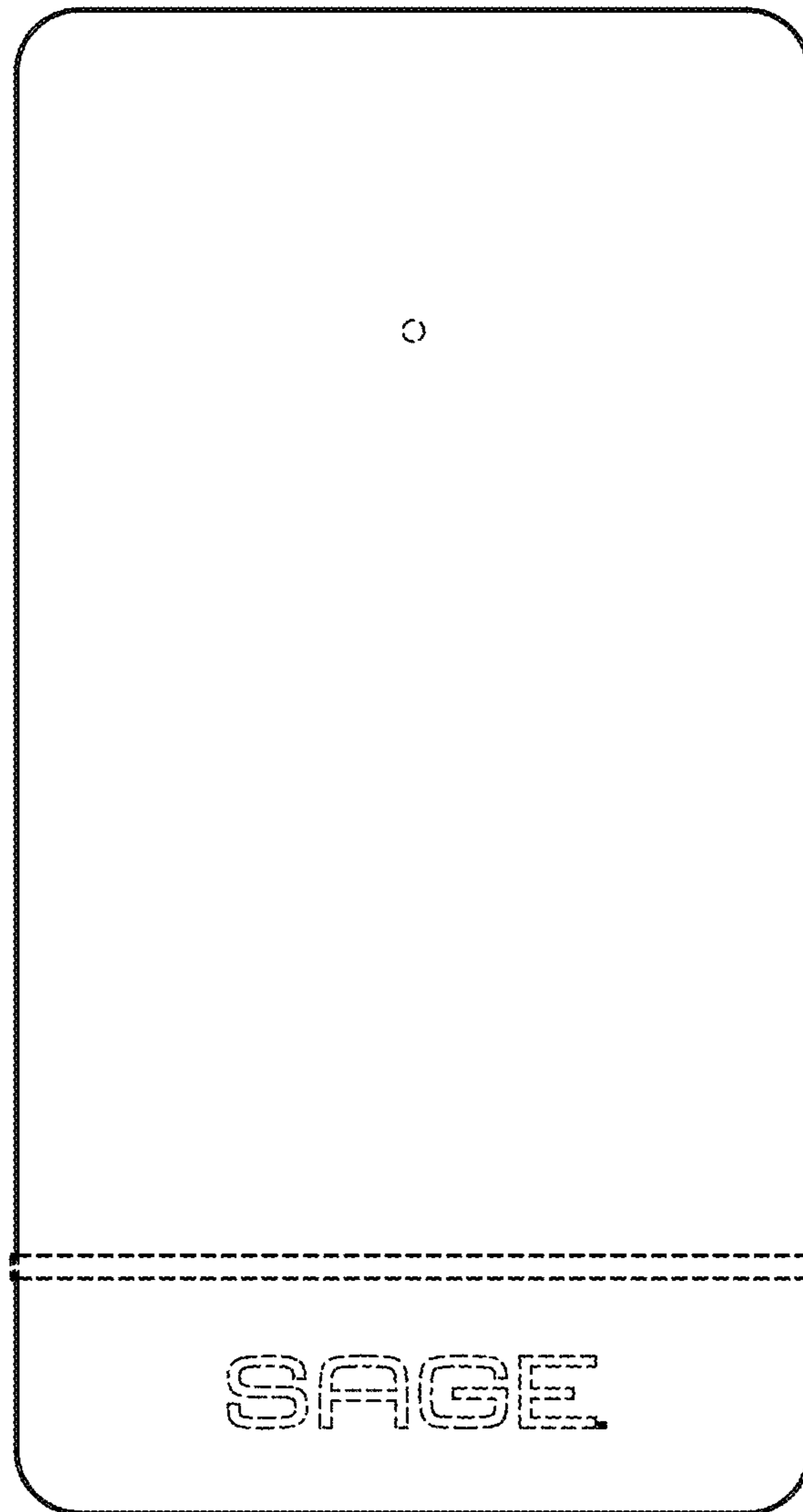


Fig. 1

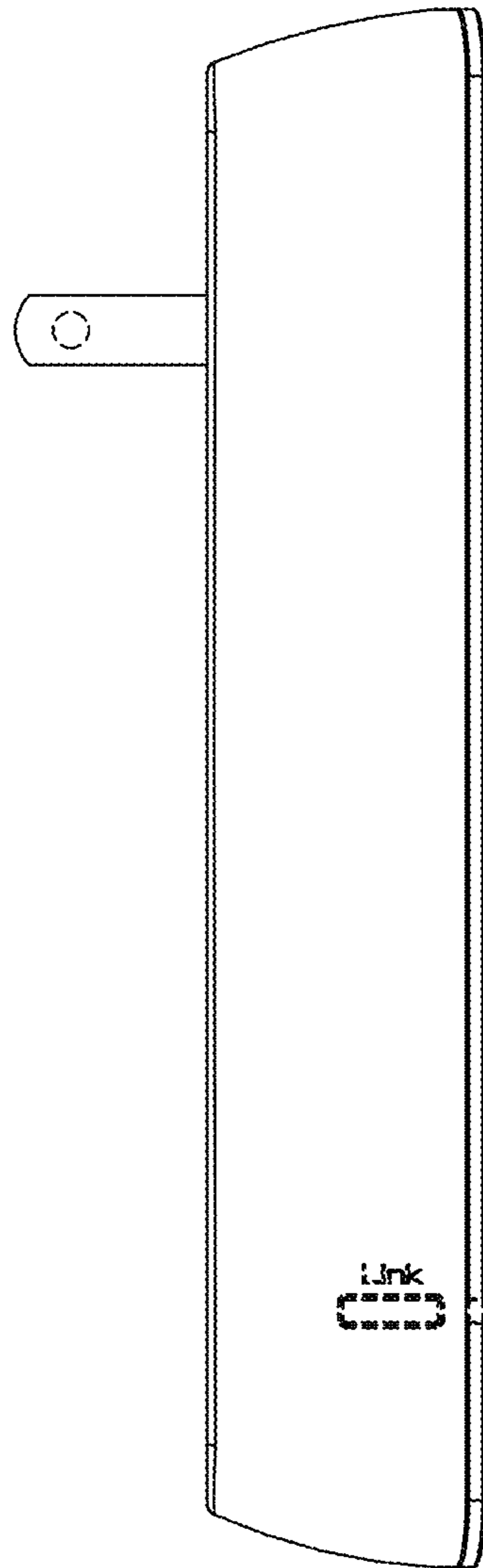


Fig. 2

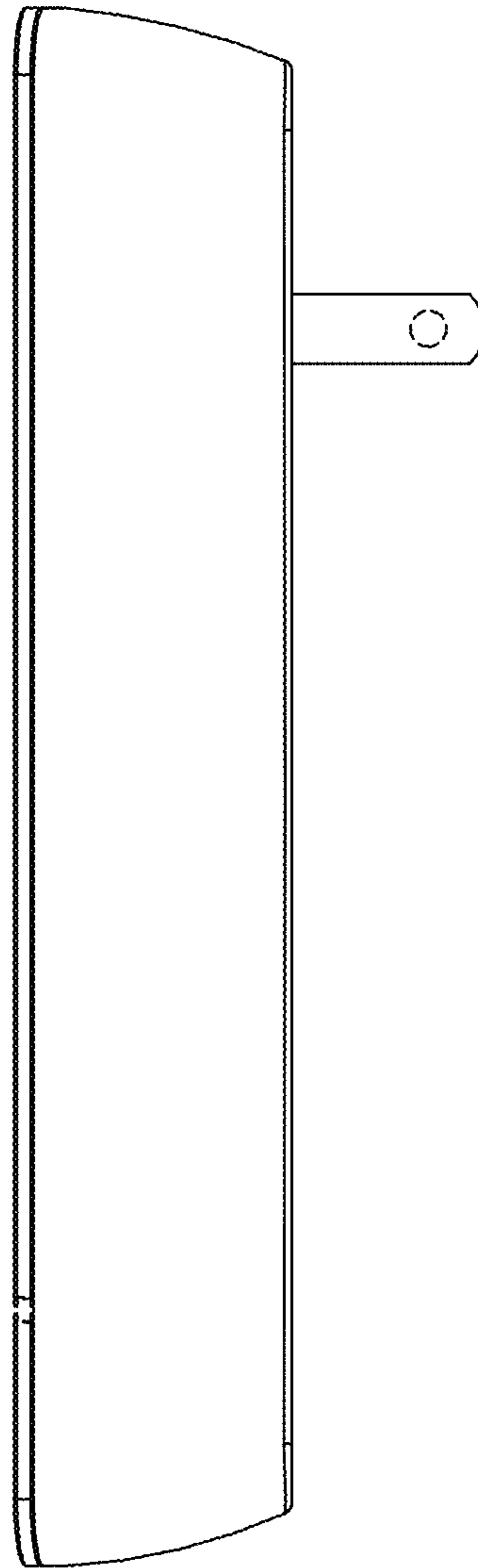


Fig. 3

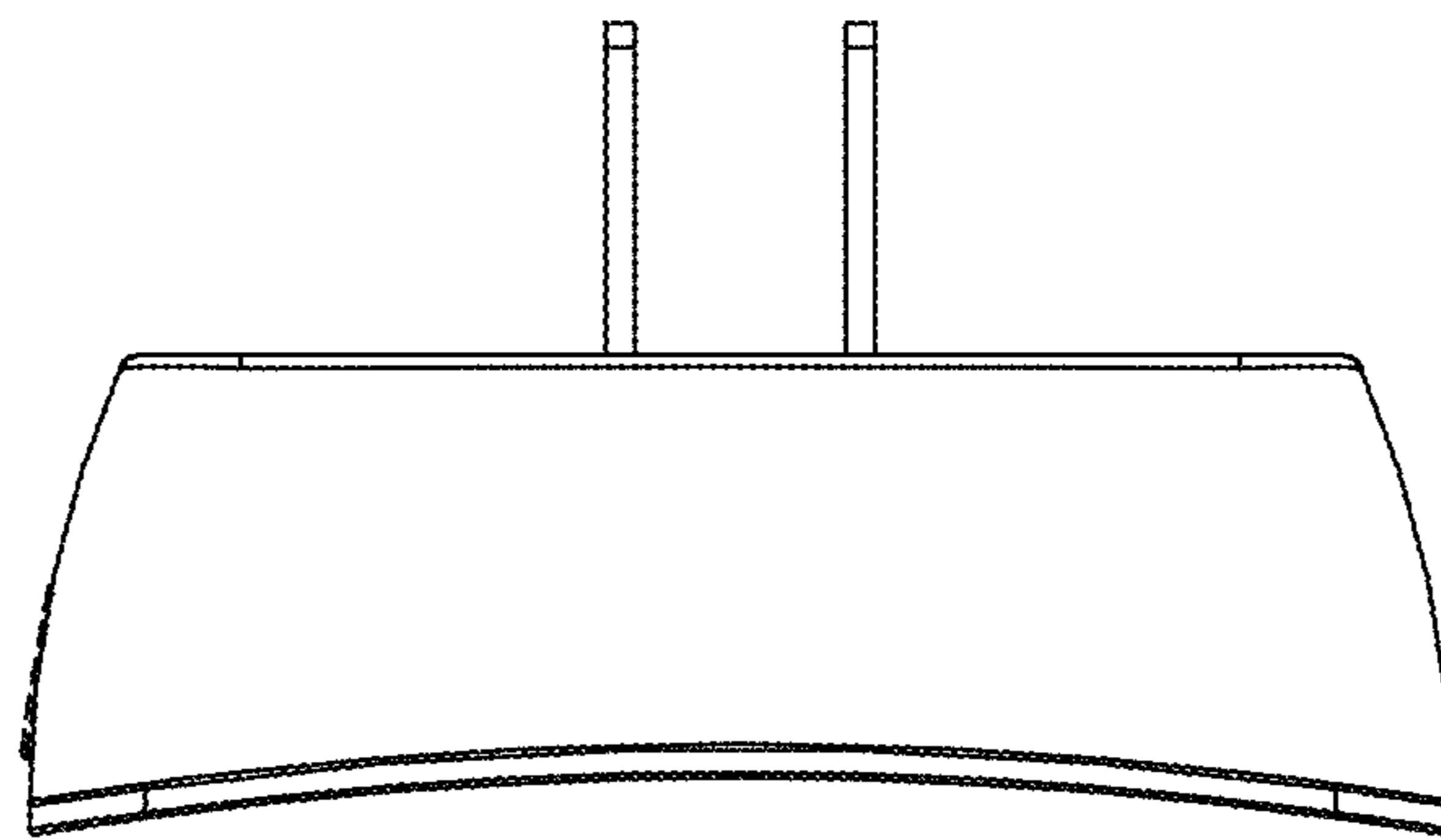


Fig. 4

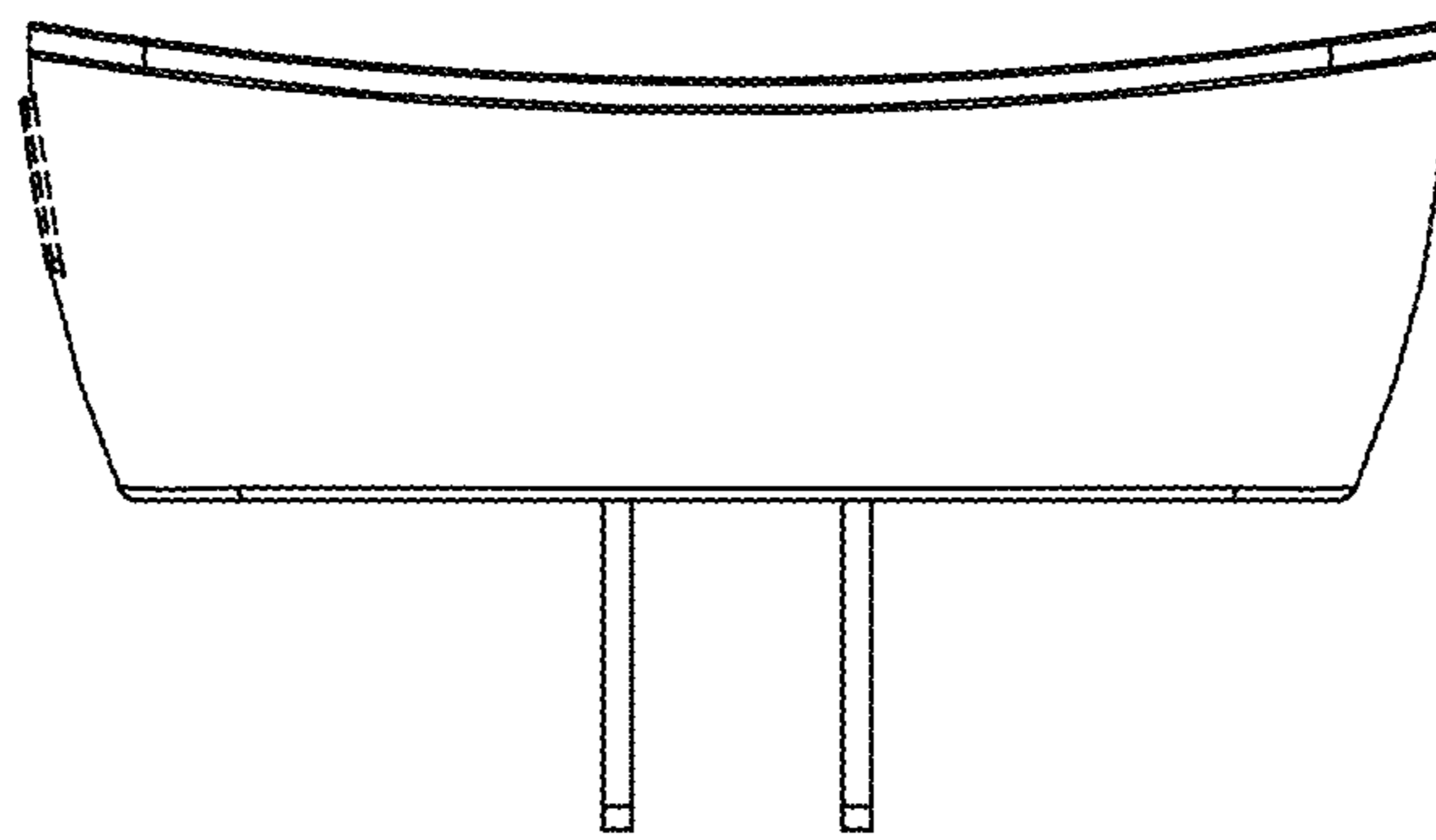


Fig. 5

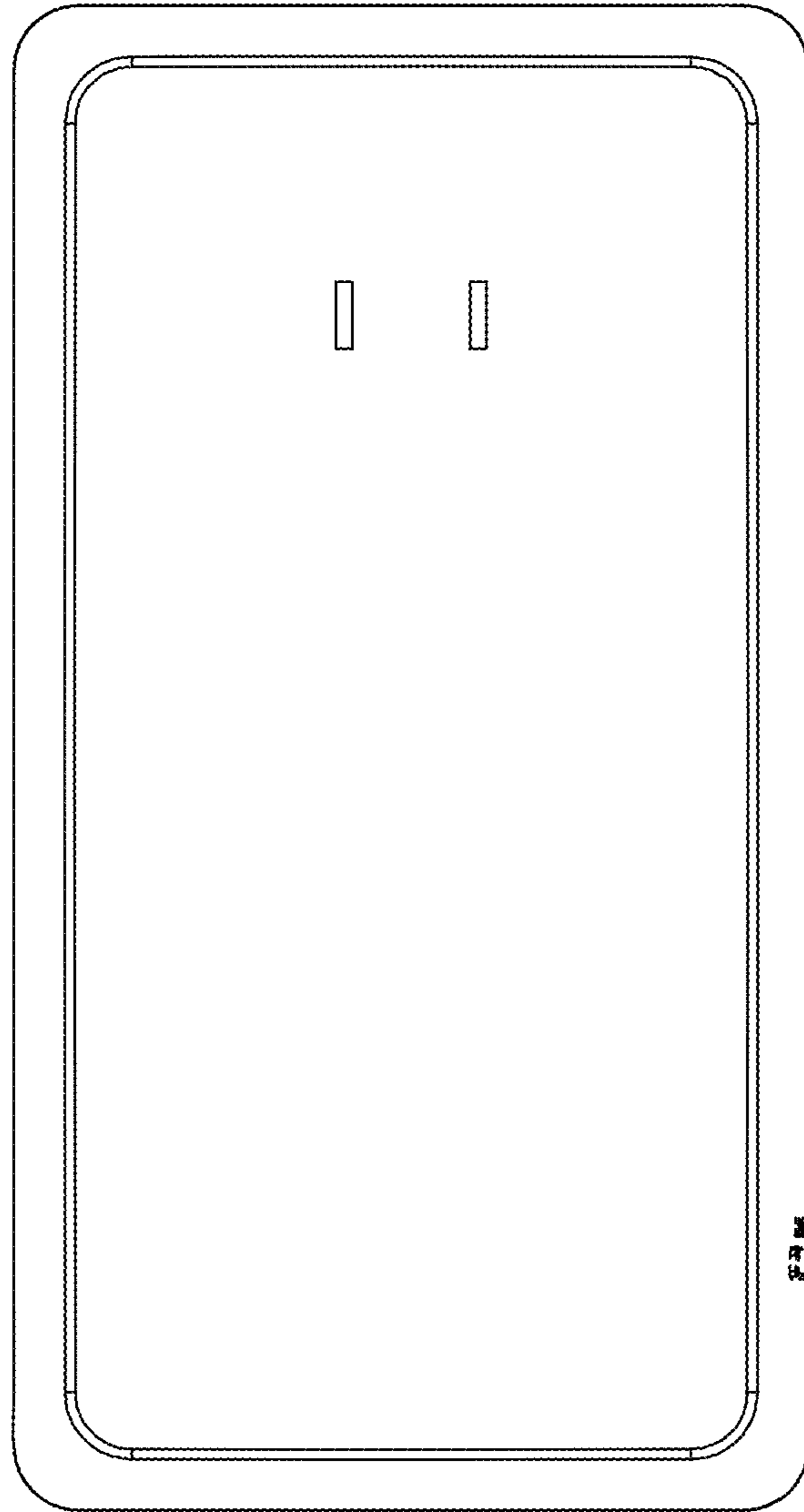


Fig. 6

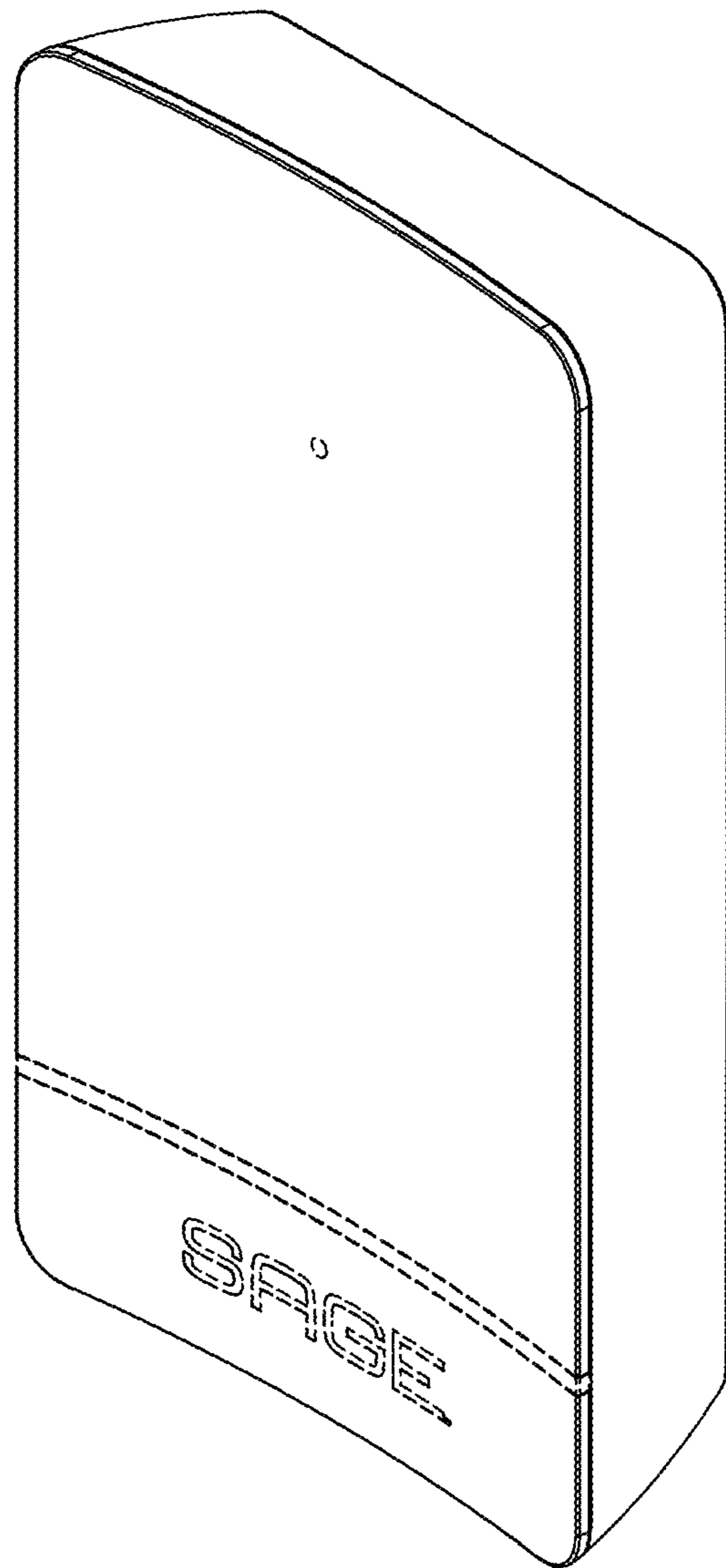


Fig. 7