



US00D778189S

(12) **United States Design Patent** (10) **Patent No.:** **US D778,189 S**
Worden et al. (45) **Date of Patent:** **** Feb. 7, 2017**

(54) **SENSOR ASSEMBLY**

(71) Applicant: **General Electric Company**,
Schenectady, NY (US)

(72) Inventors: **Bret Worden**, Erie, PA (US); **Jingjun Zhang**, Lawrence Park, PA (US); **David Petersen**, Erie, PA (US)

(73) Assignee: **General Electric Company**,
Schenectady, NY (US)

(**) Term: **15 Years**

(21) Appl. No.: **29/548,993**

(22) Filed: **Dec. 18, 2015**

Related U.S. Application Data

(63) Continuation-in-part of application No. 14/869,038,
filed on Sep. 29, 2015.

(51) **LOC (10) Cl.** **10-05**

(52) **U.S. Cl.**
USPC **D10/104.1**

(58) **Field of Classification Search**
USPC D10/99, 100, 103, 104.1, 106.1–106.9,
D10/116.1, 118, 118.2, 119.1, 121, 125,
D10/126, 132; D13/184; 340/693.5,
340/693.6; 324/96, 103 R, 110, 156, 157,
324/140 R, 141, 142; 439/146, 148, 133,
439/517, 508; 361/666–66

(Continued)

(56) **References Cited**

U.S. PATENT DOCUMENTS

D218,009 S * 7/1970 Bosack D10/103
D219,617 S * 12/1970 Swift et al. D10/103

(Continued)

Primary Examiner — George D Kirschbaum

Assistant Examiner — Joseph Kukella

(74) *Attorney, Agent, or Firm* — John A. Kramer; Global
Patent Operation

(57) **CLAIM**

The ornamental design for a sensor assembly, as shown and
described.

DESCRIPTION

FIG. 1 is a front perspective view of a sensor assembly
according to a first embodiment of the subject matter
described herein;

FIG. 2 is a rear perspective view of the sensor assembly
according to the first embodiment of the subject matter
described herein;

FIG. 3 is a rear view of the sensor assembly according to the
first embodiment of the subject matter described herein;

FIG. 4 is a front view of the sensor assembly according to
the first embodiment of the subject matter described herein;

FIG. 5 is a left view of the sensor assembly according to the
first embodiment of the subject matter described herein;

FIG. 6 is a right view of the sensor assembly according to
the first embodiment of the subject matter described herein;

FIG. 7 is a top view of the sensor assembly according to the
first embodiment of the subject matter described herein;

FIG. 8 is a bottom view of the sensor assembly according to
the first embodiment of the subject matter described herein;

FIG. 9 is a front perspective view of a sensor assembly
according to a second embodiment of the subject matter
described herein;

FIG. 10 is a rear perspective view of the sensor assembly
according to the second embodiment of the subject matter
described herein;

FIG. 11 is a rear view of the sensor assembly according to
the second embodiment of the subject matter described
herein;

FIG. 12 is a front view of the sensor assembly according to
the second embodiment of the subject matter described
herein;

FIG. 13 is a left view of the sensor assembly according to the
second embodiment of the subject matter described herein;

FIG. 14 is a right view of the sensor assembly according to
the second embodiment of the subject matter described
herein;

(Continued)

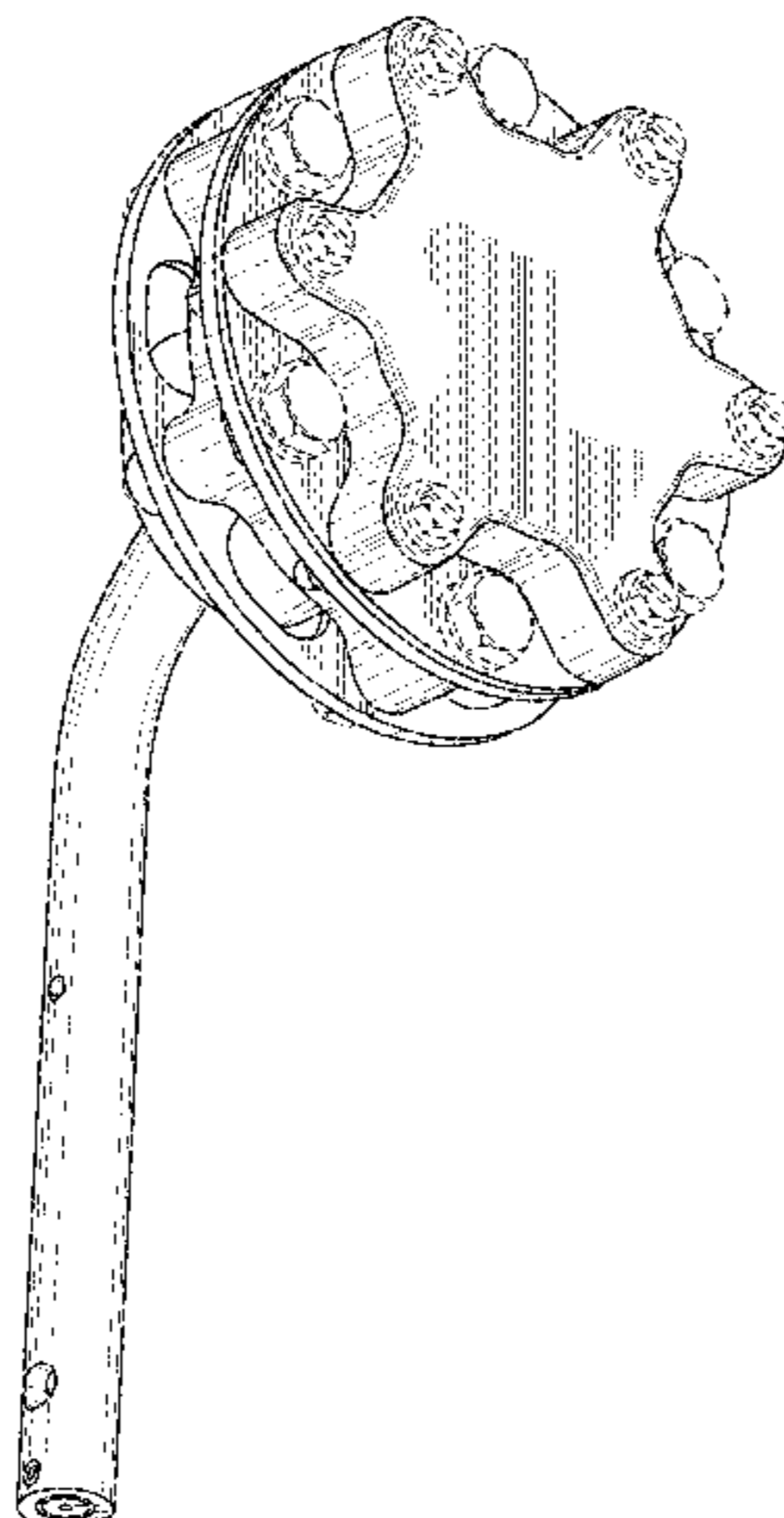


FIG. 15 is a top view of the sensor assembly according to the second embodiment of the subject matter described herein; and,

FIG. 16 is a bottom view of the sensor assembly according to the second embodiment of the subject matter described herein.

The broken lines depict portions of the sensor assembly which form no part of the claimed design. In FIGS. 9-16 the mounting arm is shown with a symbolic break in its length. The appearance of any portion of the article between the break lines forms no part of the claimed design.

1 Claim, 14 Drawing Sheets

(58) Field of Classification Search

CPC G08B 17/06; G08B 17/10; G08B 17/103;
G08B 17/107; G08B 21/12; G08B 21/22;
G08B 15/00; G01R 22/065; G01R 11/00;
G01R 11/04

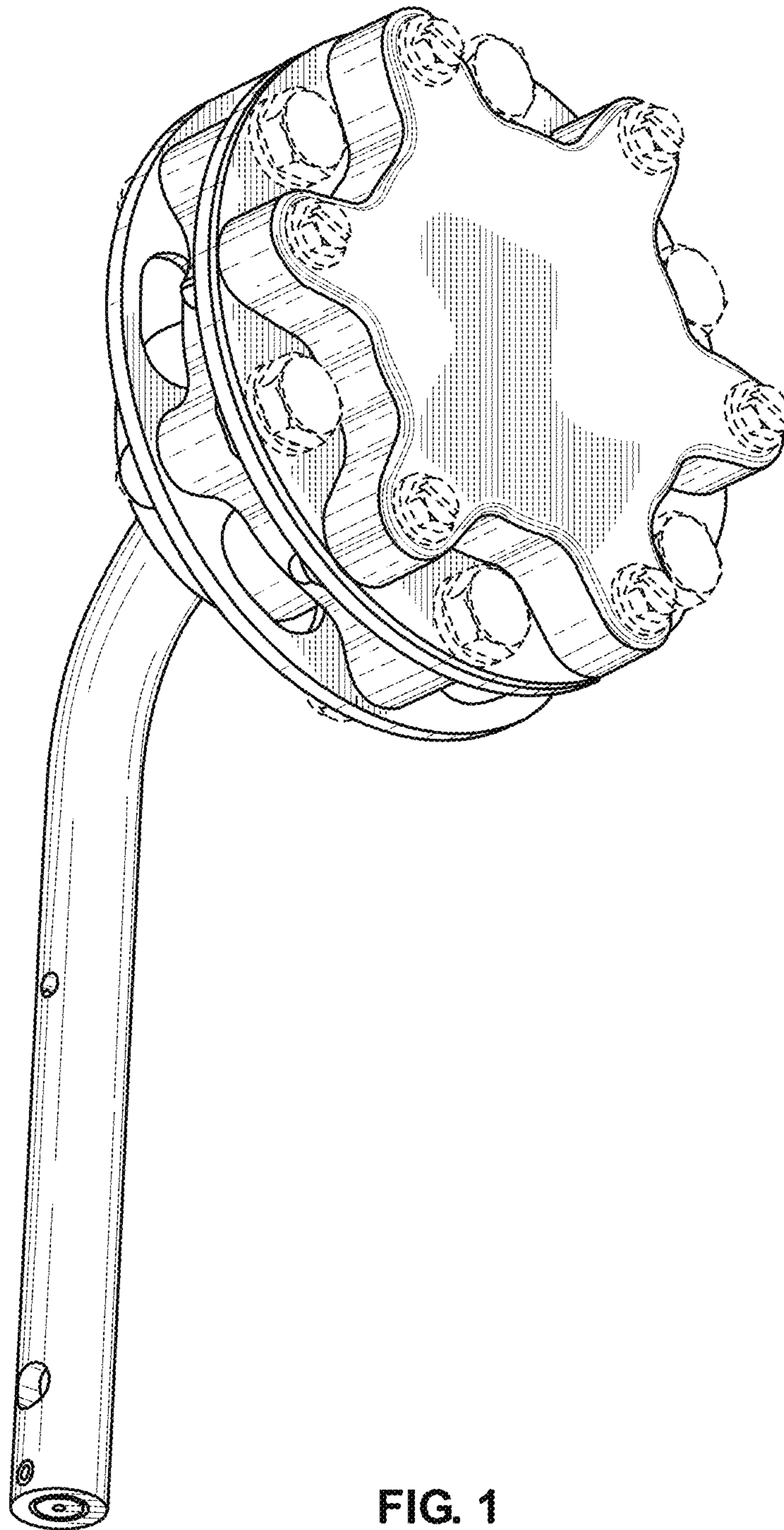
See application file for complete search history.

(56) References Cited

U.S. PATENT DOCUMENTS

D403,606 S * 1/1999 Paton, Jr. D10/103
7,787,330 B1 * 8/2010 Reid G01F 23/00
367/141

* cited by examiner



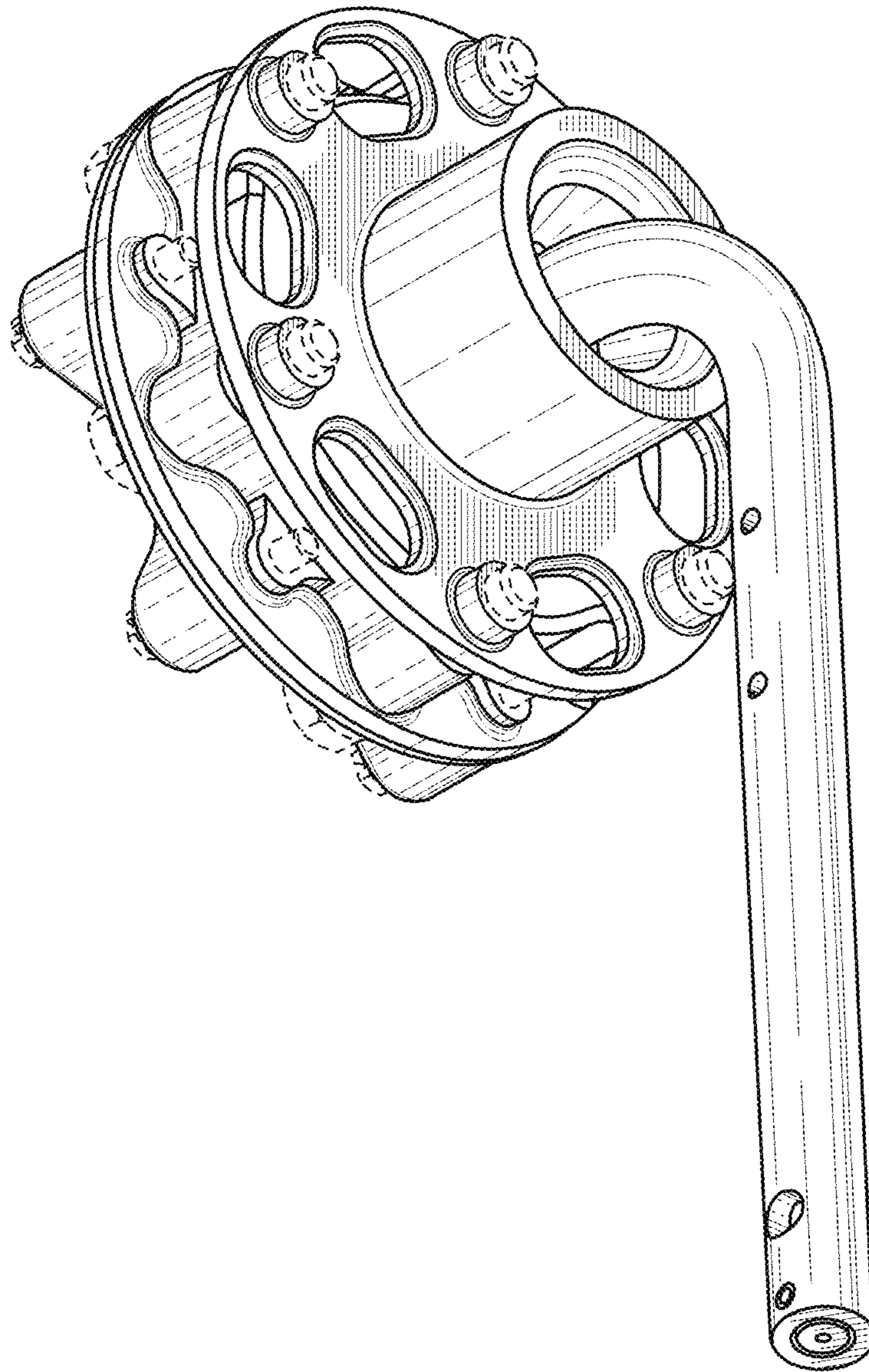


FIG. 2

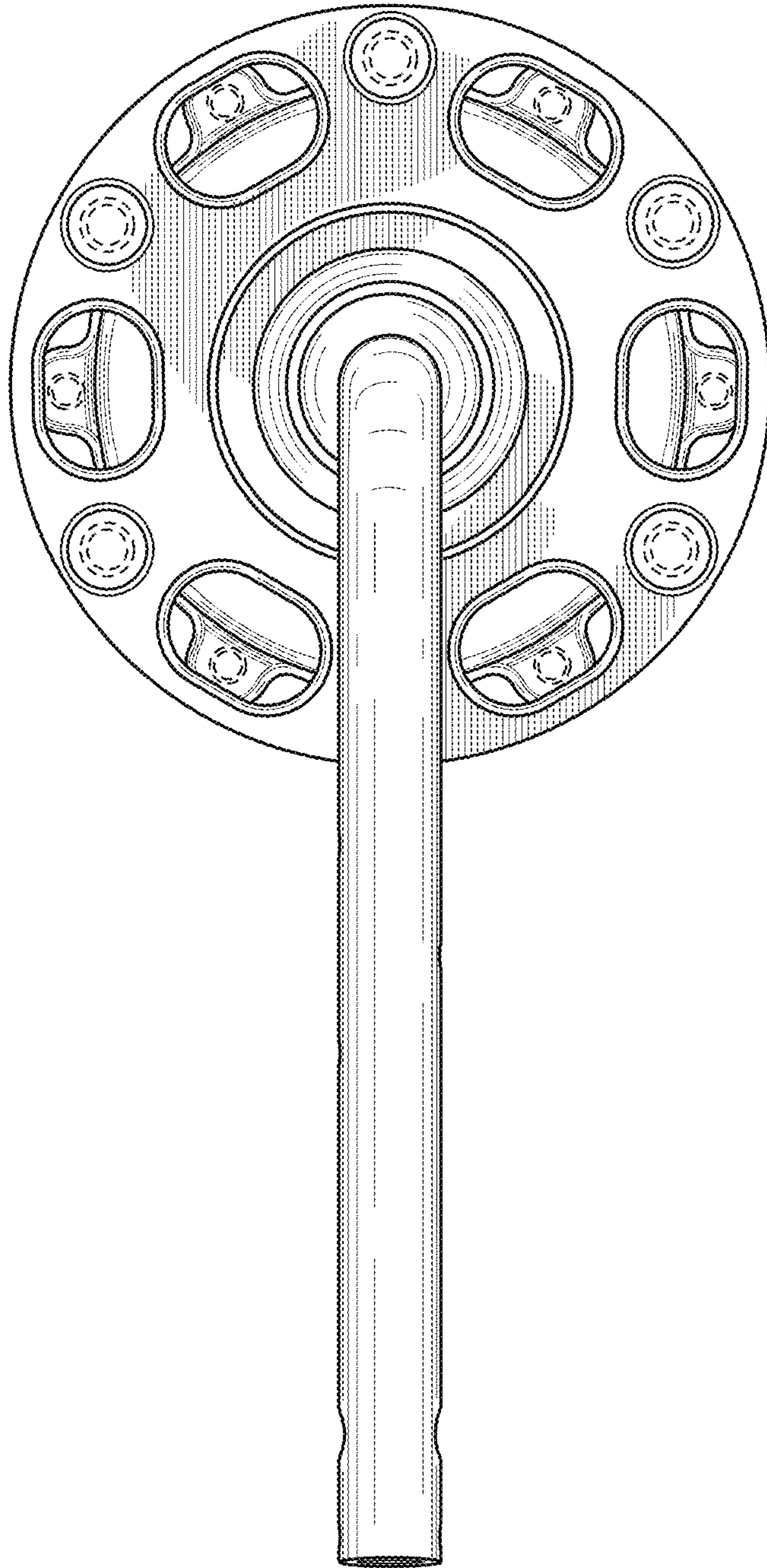


FIG. 3

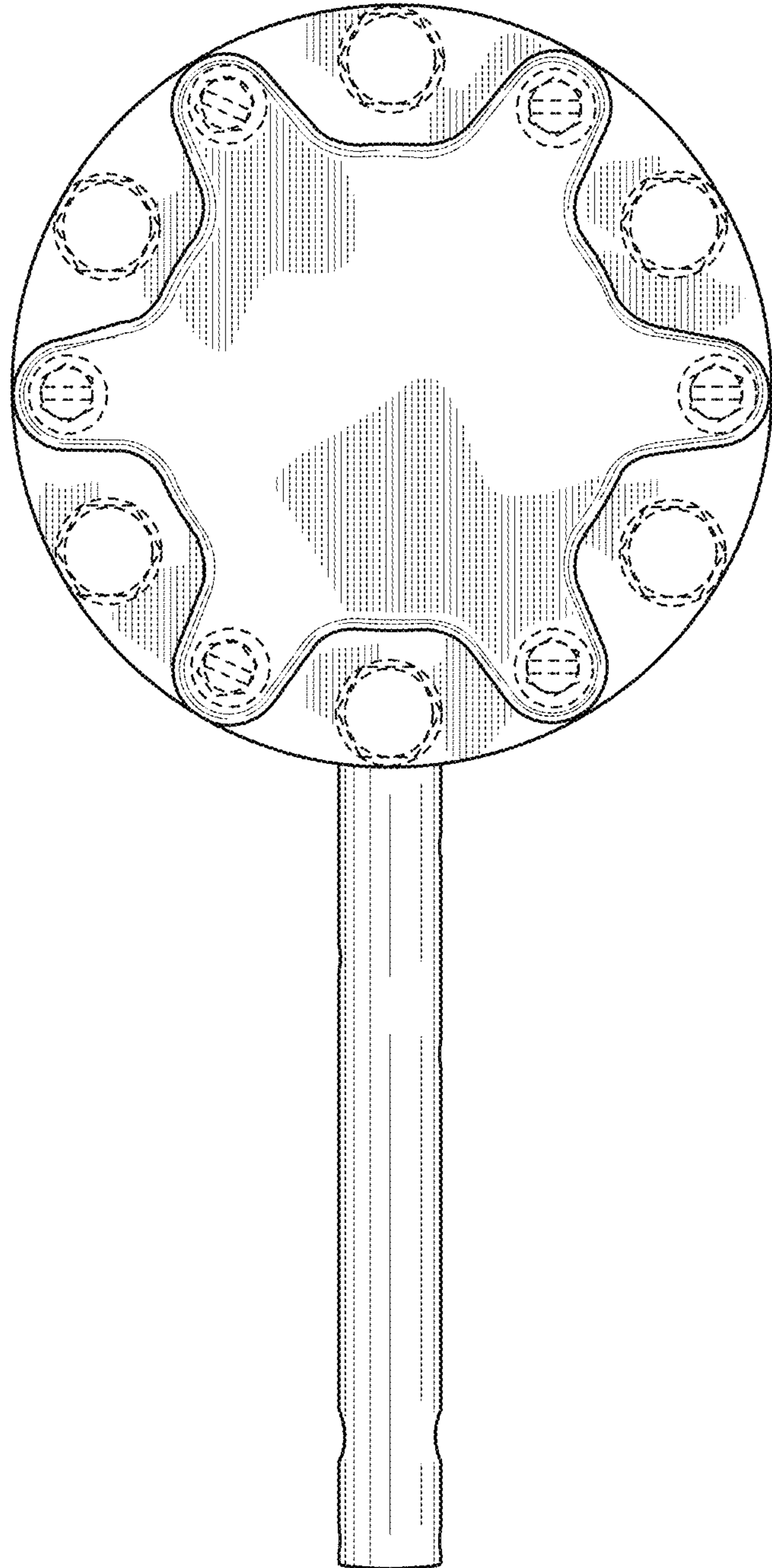


FIG. 4

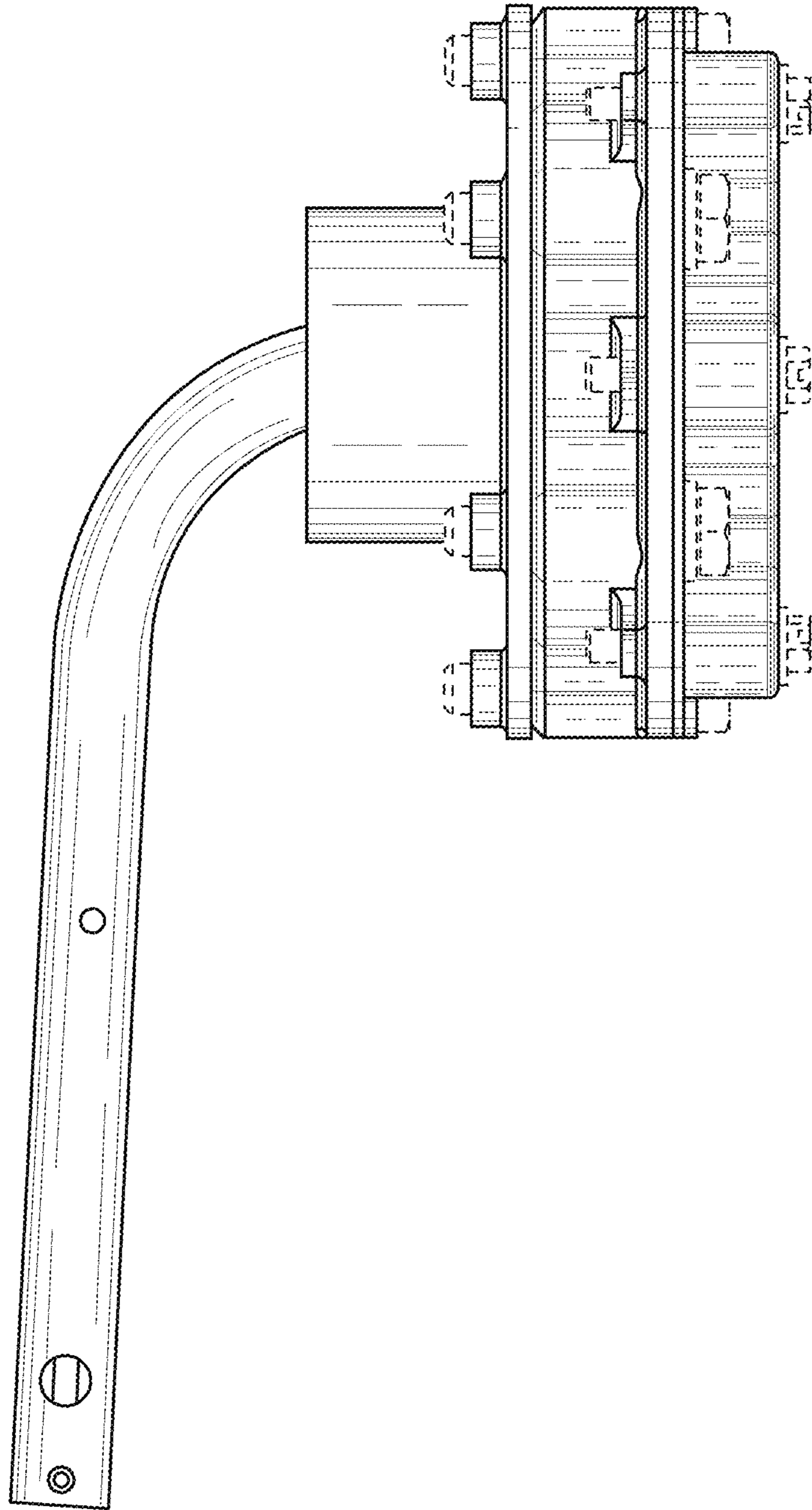


FIG. 5

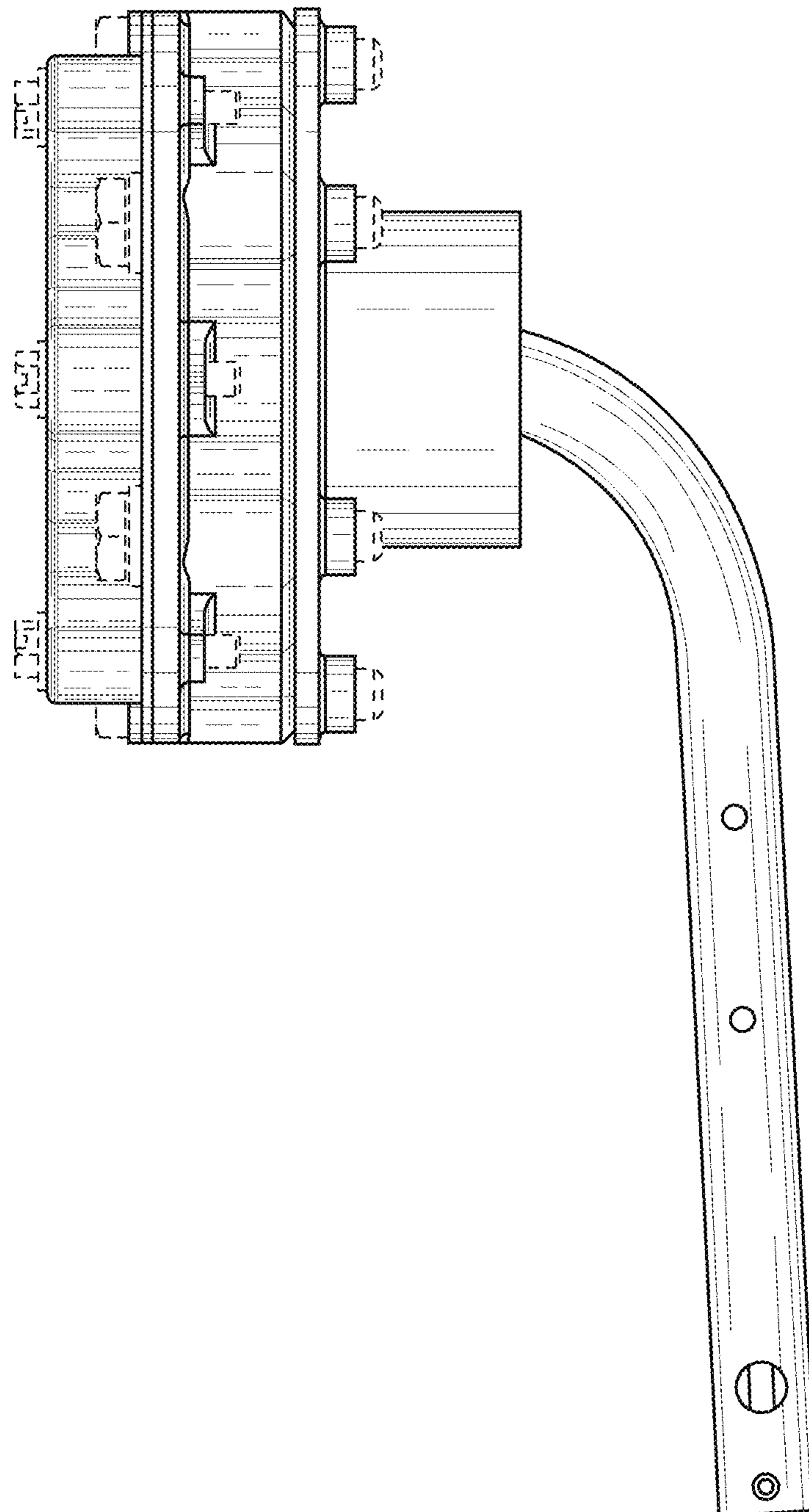


FIG. 6

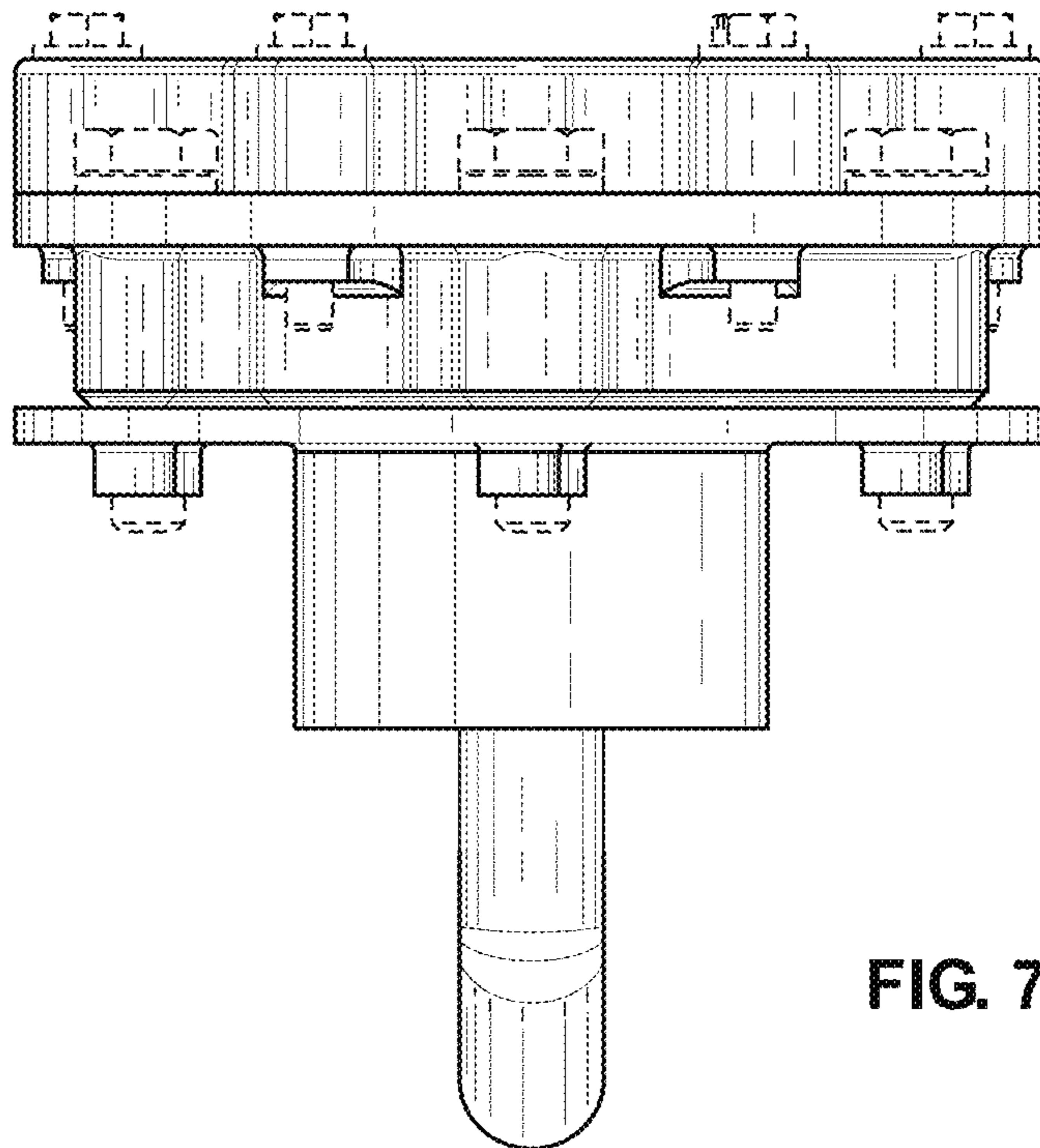


FIG. 7

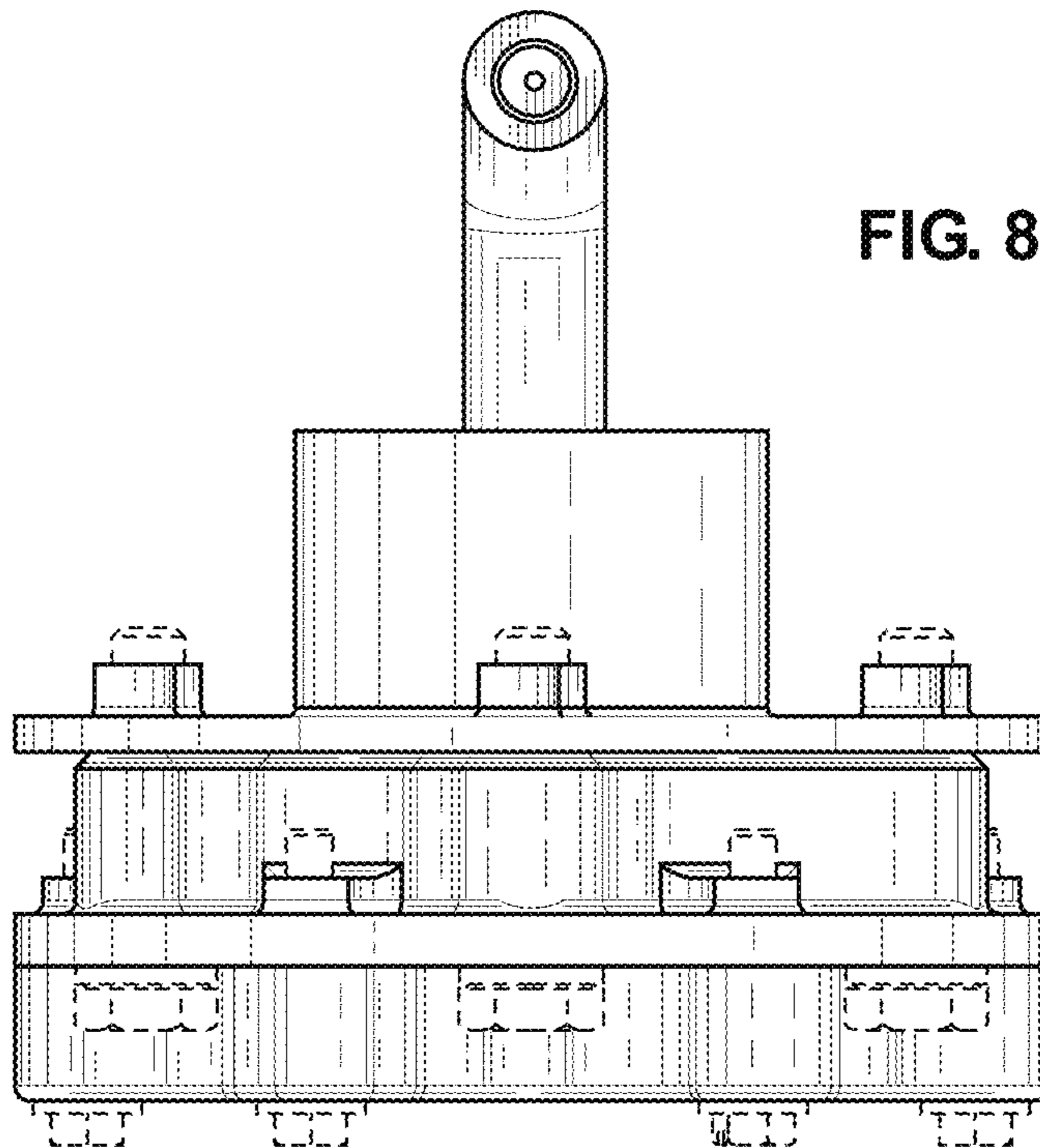


FIG. 8

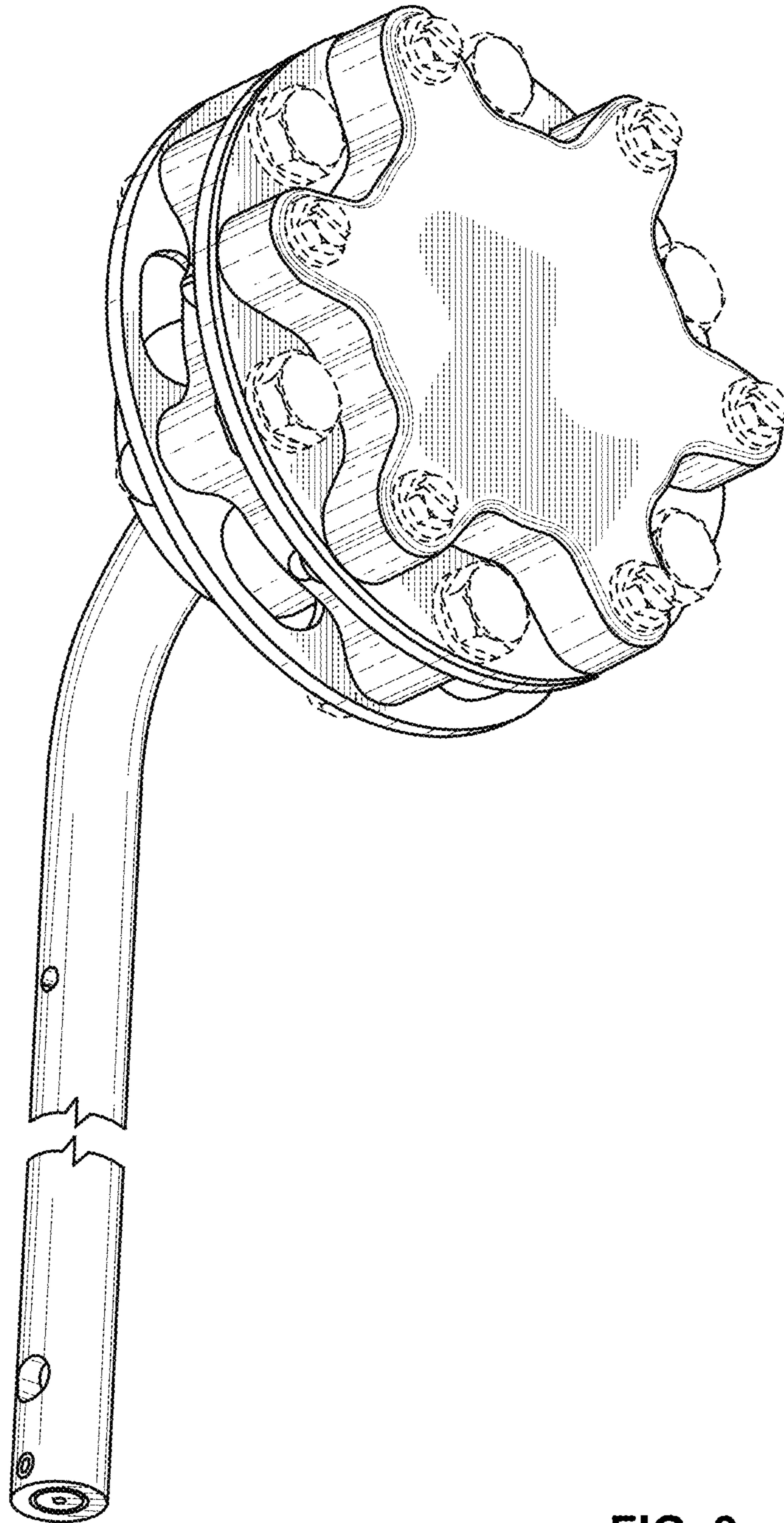


FIG. 9

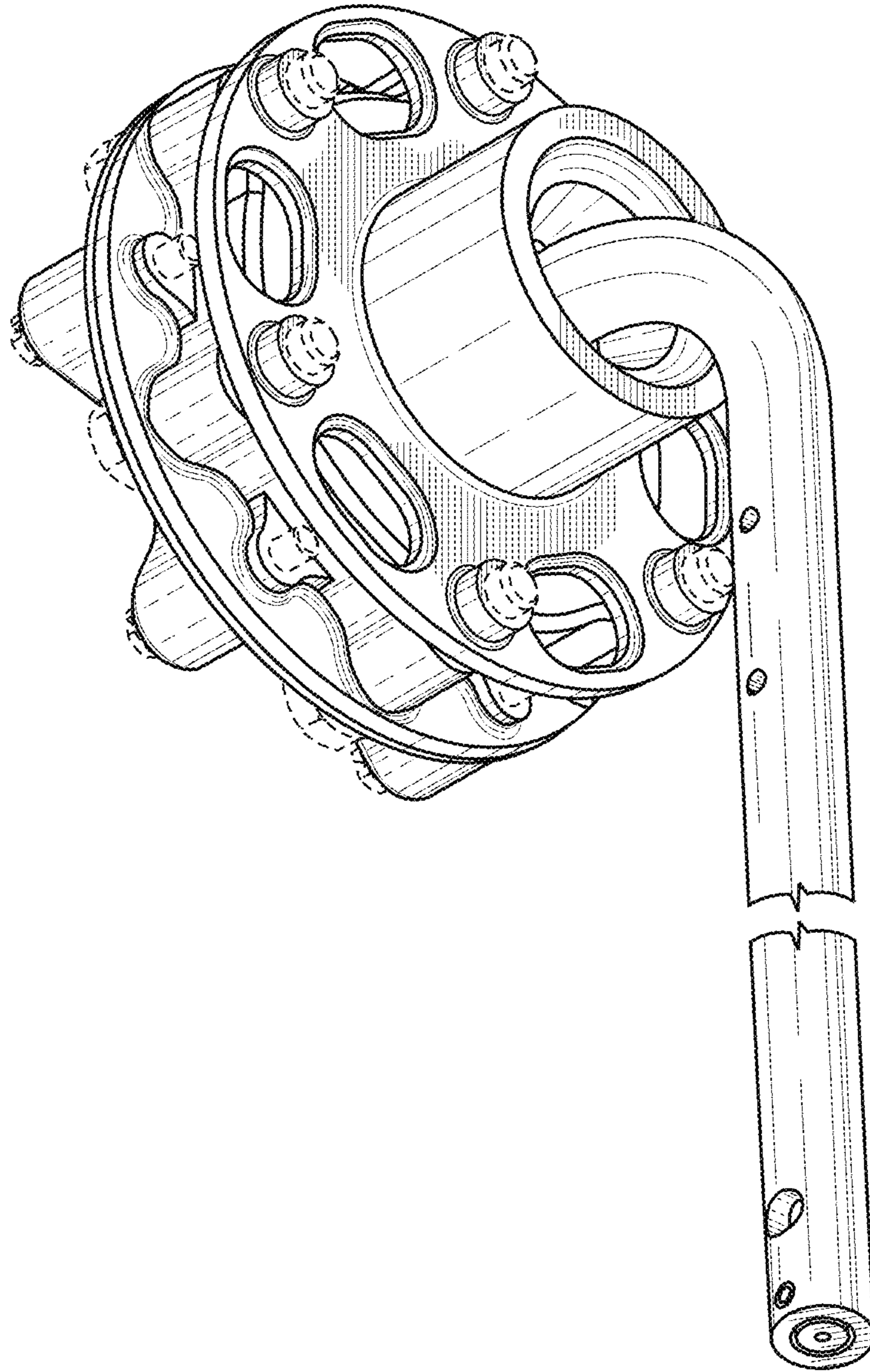


FIG. 10

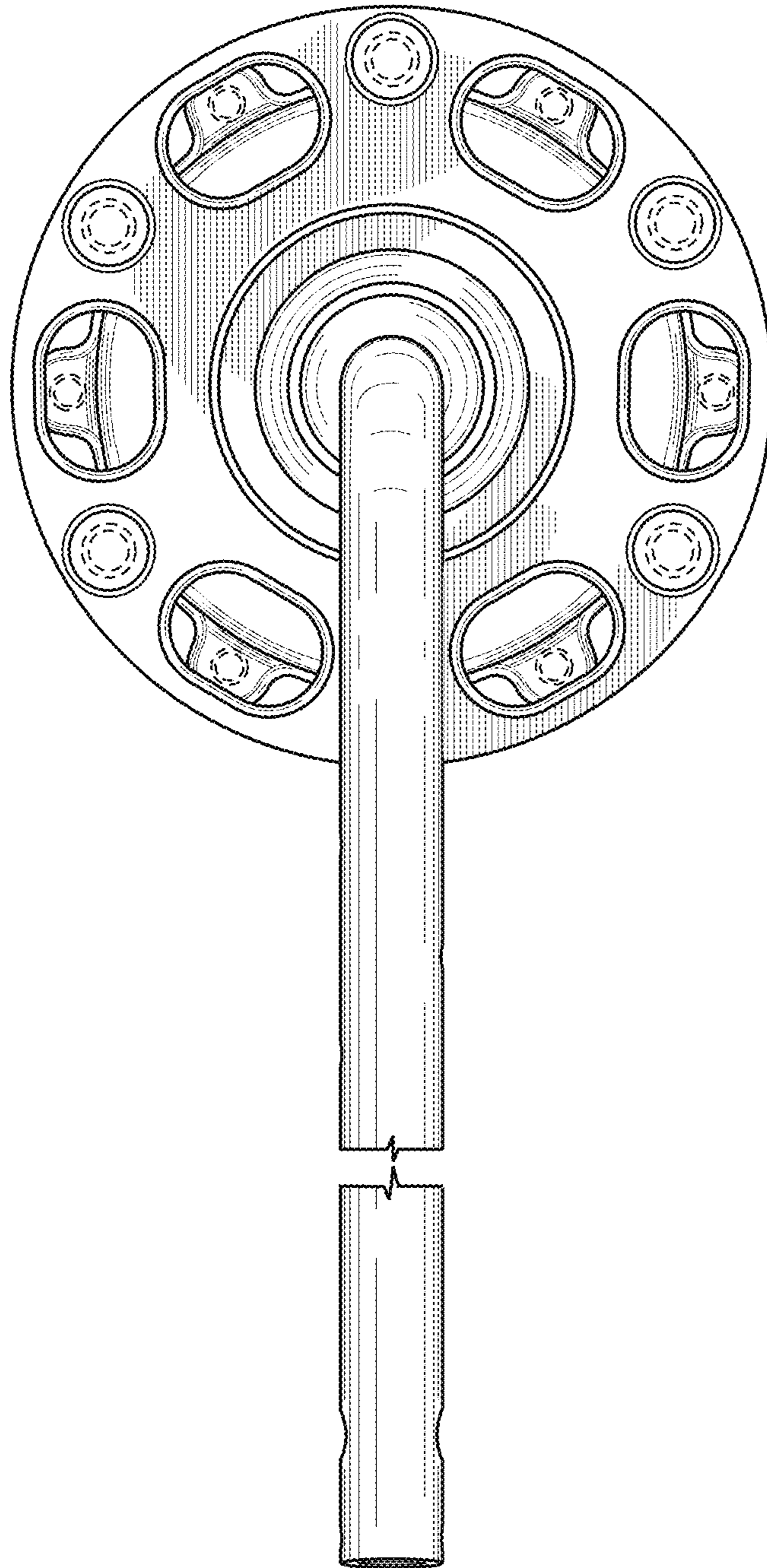


FIG. 11

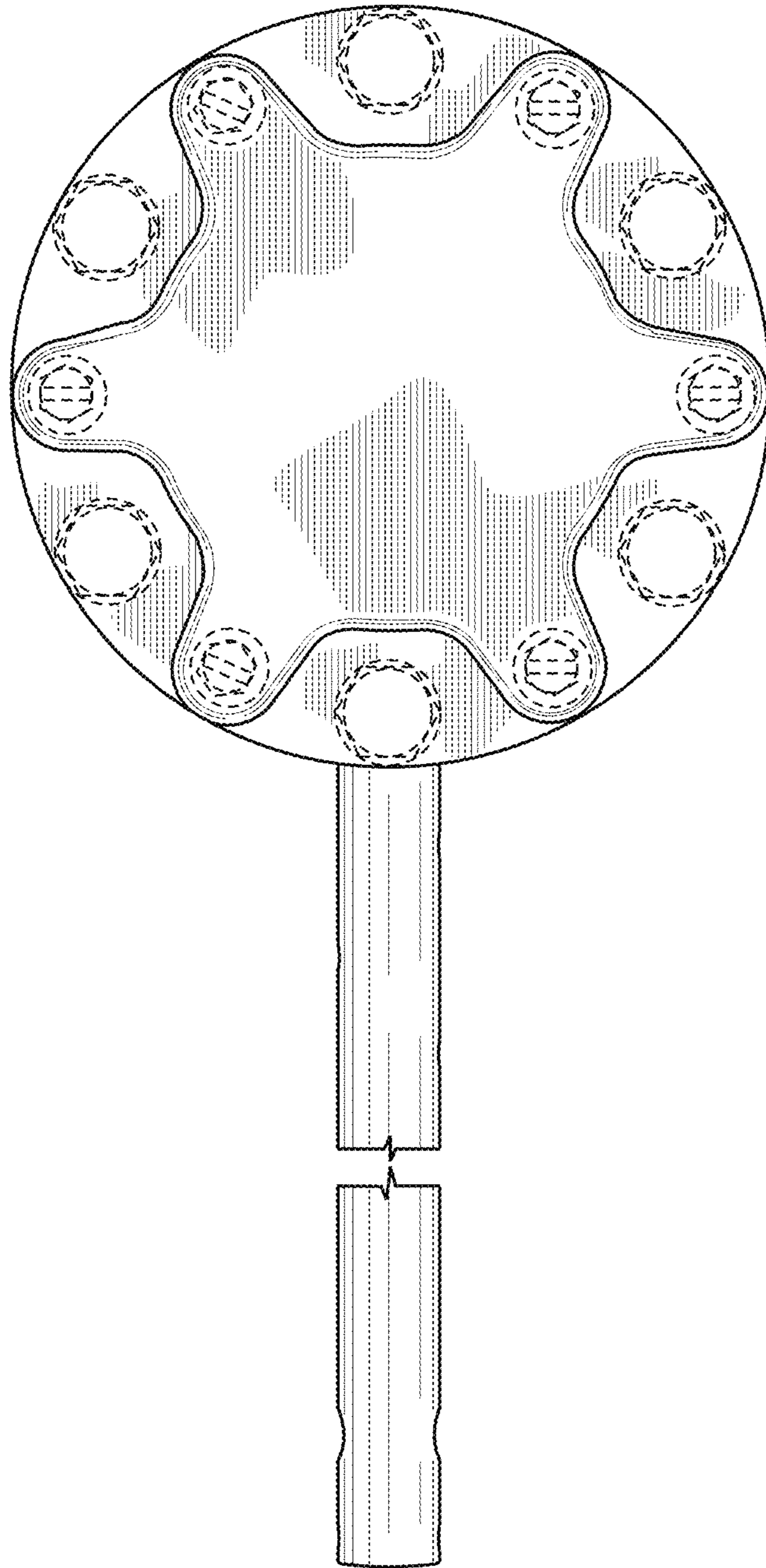


FIG. 12

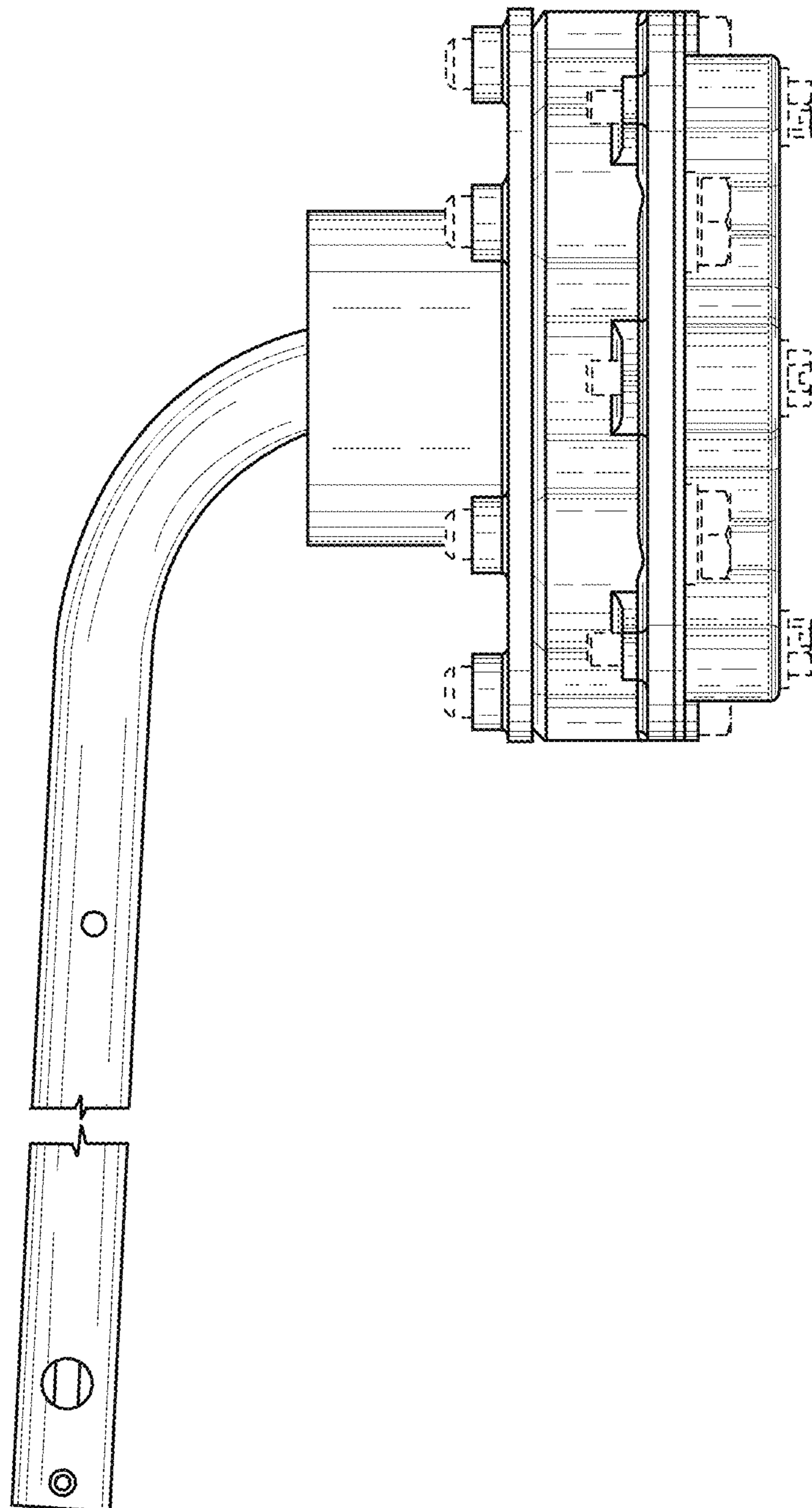


FIG. 13

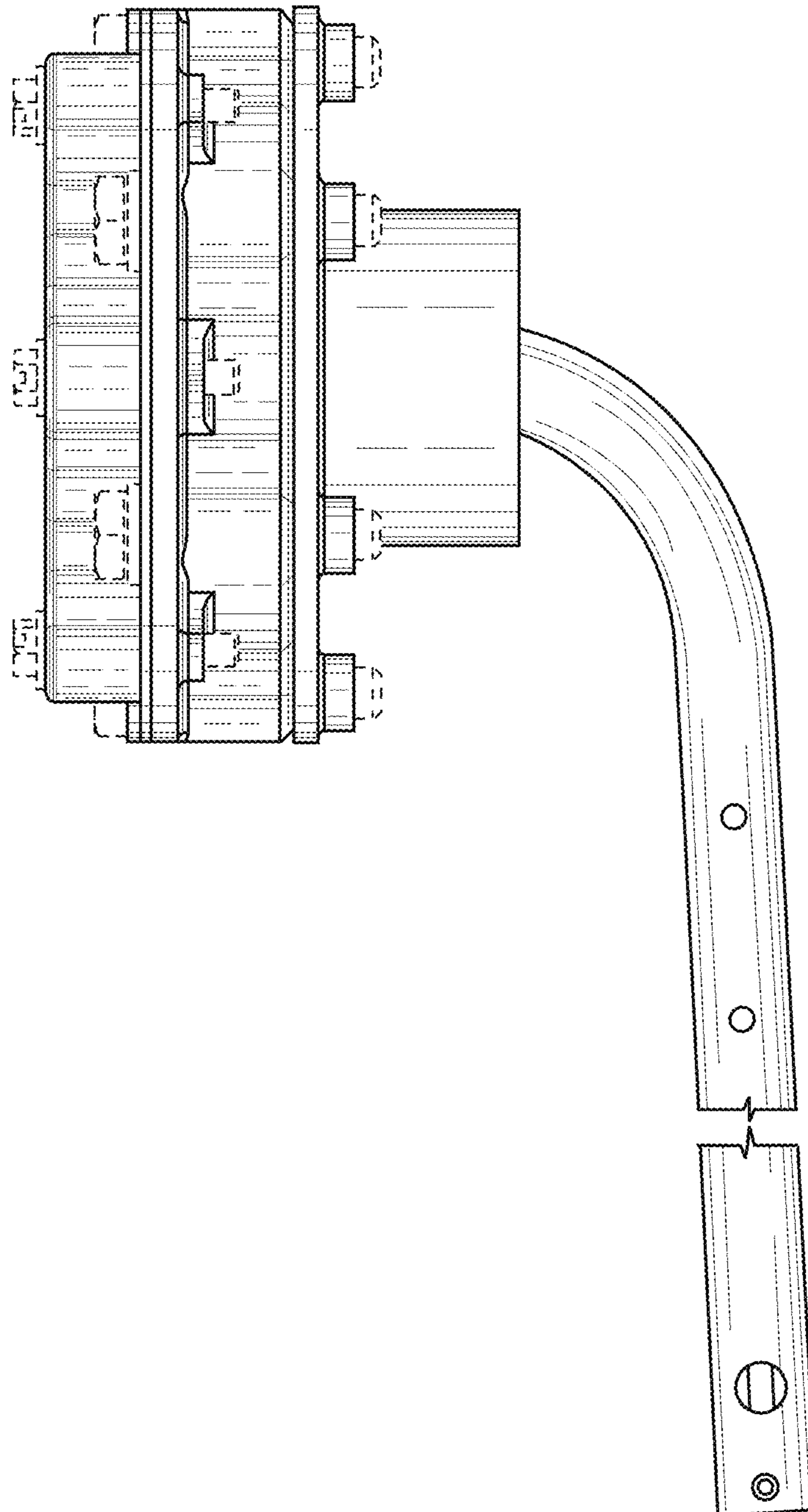


FIG. 14

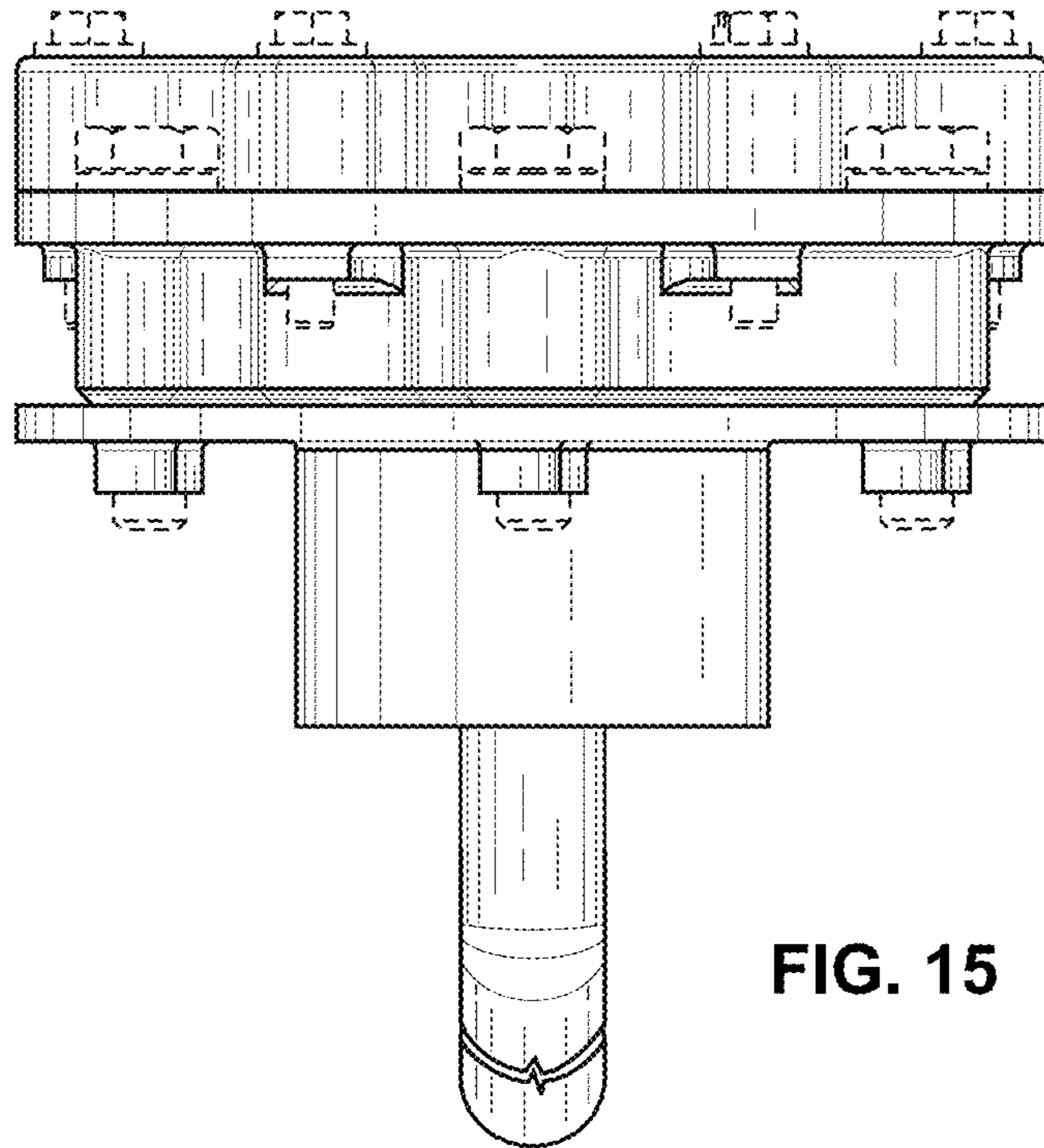


FIG. 15

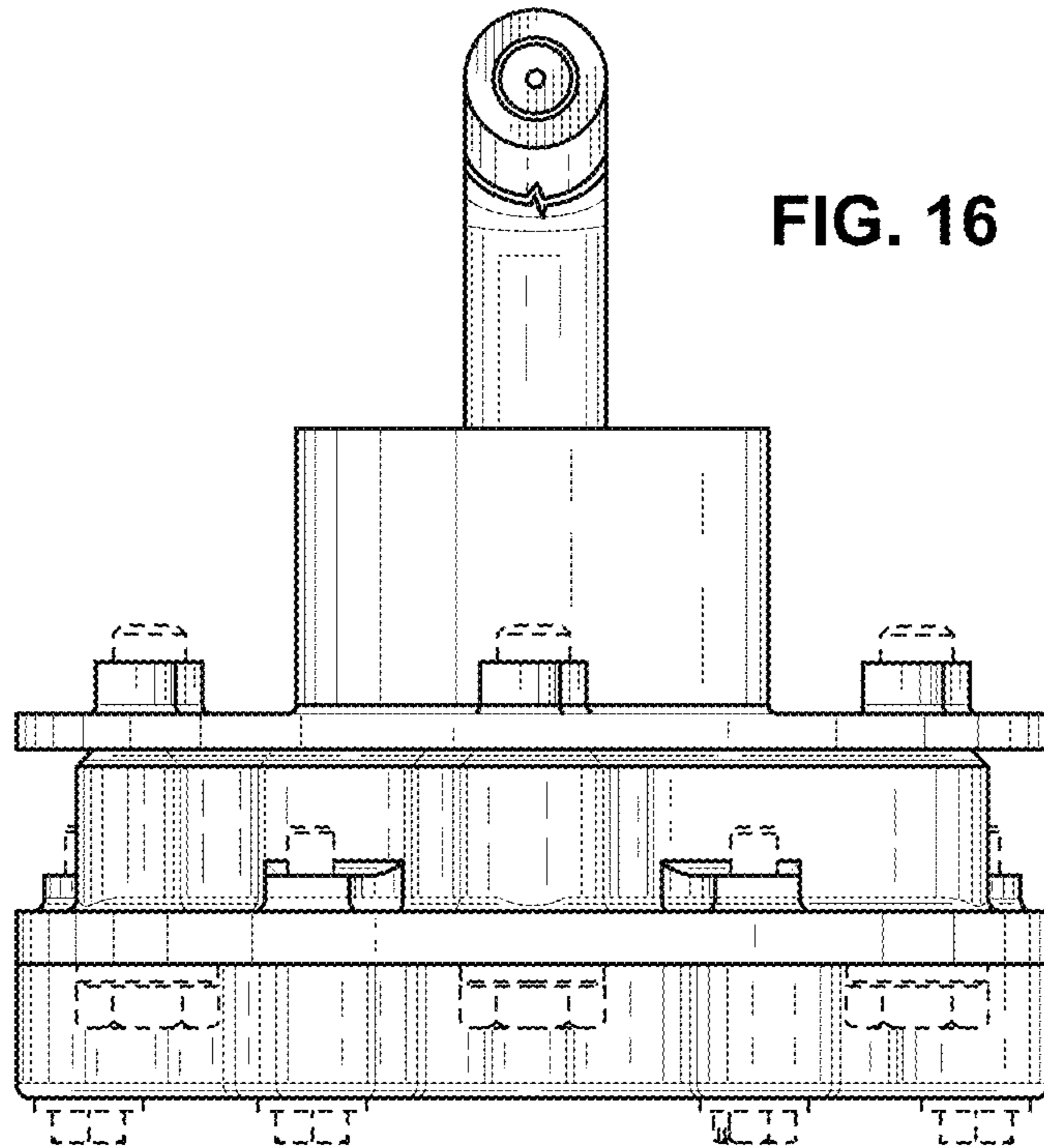


FIG. 16