



US00D778185S

(12) **United States Design Patent**
Ookawa et al.

(10) **Patent No.:** **US D778,185 S**

(45) **Date of Patent:** **** Feb. 7, 2017**

- (54) **GARAGE DOOR SENSOR**
- (71) Applicant: **Panasonic Intellectual Property Management Co., Ltd.**, Osaka-shi, Osaka (JP)
- (72) Inventors: **Takayuki Ookawa**, Osaka (JP);
Takashi Hasegawa, Osaka (JP)
- (73) Assignee: **PANASONIC INTELLECTUAL PROPERTY MANAGEMENT CO., LTD.**, Osaka (JP)
- (**) Term: **15 Years**
- (21) Appl. No.: **29/539,943**
- (22) Filed: **Sep. 18, 2015**
- (51) **LOC (10) Cl.** **10-04**
- (52) **U.S. Cl.**
USPC **D10/70; D10/104.1; D10/106.6**
- (58) **Field of Classification Search**
USPC **D10/65, 70, 104.1, 106.6, 106.7**
CPC **E05F 15/77; E05F 15/79; E05F 15/73; E05F 15/668; E05F 15/2023; E05F 15/43; E05F 2015/434; E05F 2015/483; E05F 2015/436; E05F 2015/765; E05Y 2201/656; E05Y 2201/666; E05Y 2900/106; G05B 2219/2628; G05B 2219/25187**
See application file for complete search history.

- 5,937,578 A * 8/1999 Dolan E05F 15/43
49/25
- D478,605 S * 8/2003 Guzman D13/168
- D486,506 S * 2/2004 Bian D15/148
- D495,303 S * 8/2004 Coullahan D13/168
- 6,847,303 B2 * 1/2005 Hoermann G07C 9/00944
160/188
- D614,479 S * 4/2010 Barrese D8/367
- D614,979 S * 5/2010 McNames et al.
- D693,245 S * 11/2013 Mille D10/39
- D693,249 S * 11/2013 Anderssen D10/65
- D724,970 S * 3/2015 Hasegawa D10/65
- D726,567 S * 4/2015 De Jong D10/70
- D730,754 S * 6/2015 Bould D10/106.6
- D733,596 S * 7/2015 Goodner D10/70

* cited by examiner

Primary Examiner — Antoine D Davis

(74) *Attorney, Agent, or Firm* — Brinks Gilson & Lione

(57) **CLAIM**

We claim the ornamental design for a garage door sensor, as shown and described.

DESCRIPTION

FIG. 1 is a front and top perspective view of a garage door sensor of the present invention;
 FIG. 2 is a rear and top perspective view thereof;
 FIG. 3 is a front view thereof;
 FIG. 4 is a rear view thereof;
 FIG. 5 is a first side view thereof;
 FIG. 6 is a second side view thereof;
 FIG. 7 is a top view thereof; and,
 FIG. 8 is a bottom view thereof.
 The broken lines shown represent unclaimed subject matter and form no part of the claimed design.

1 Claim, 8 Drawing Sheets

- (56) **References Cited**
U.S. PATENT DOCUMENTS
D381,962 S * 8/1997 Doppelt D10/106.1
D402,300 S * 12/1998 Doppelt D15/199

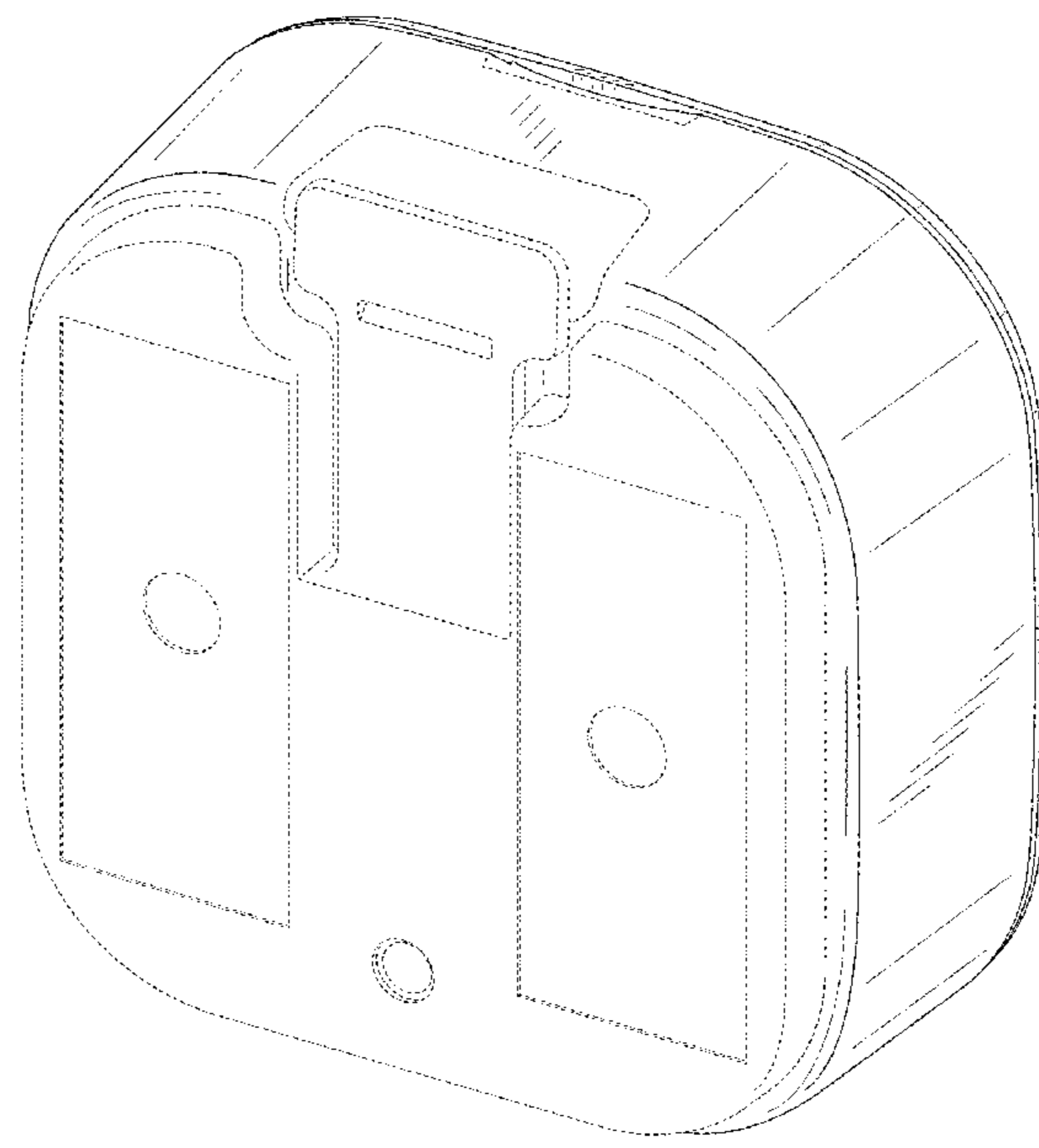
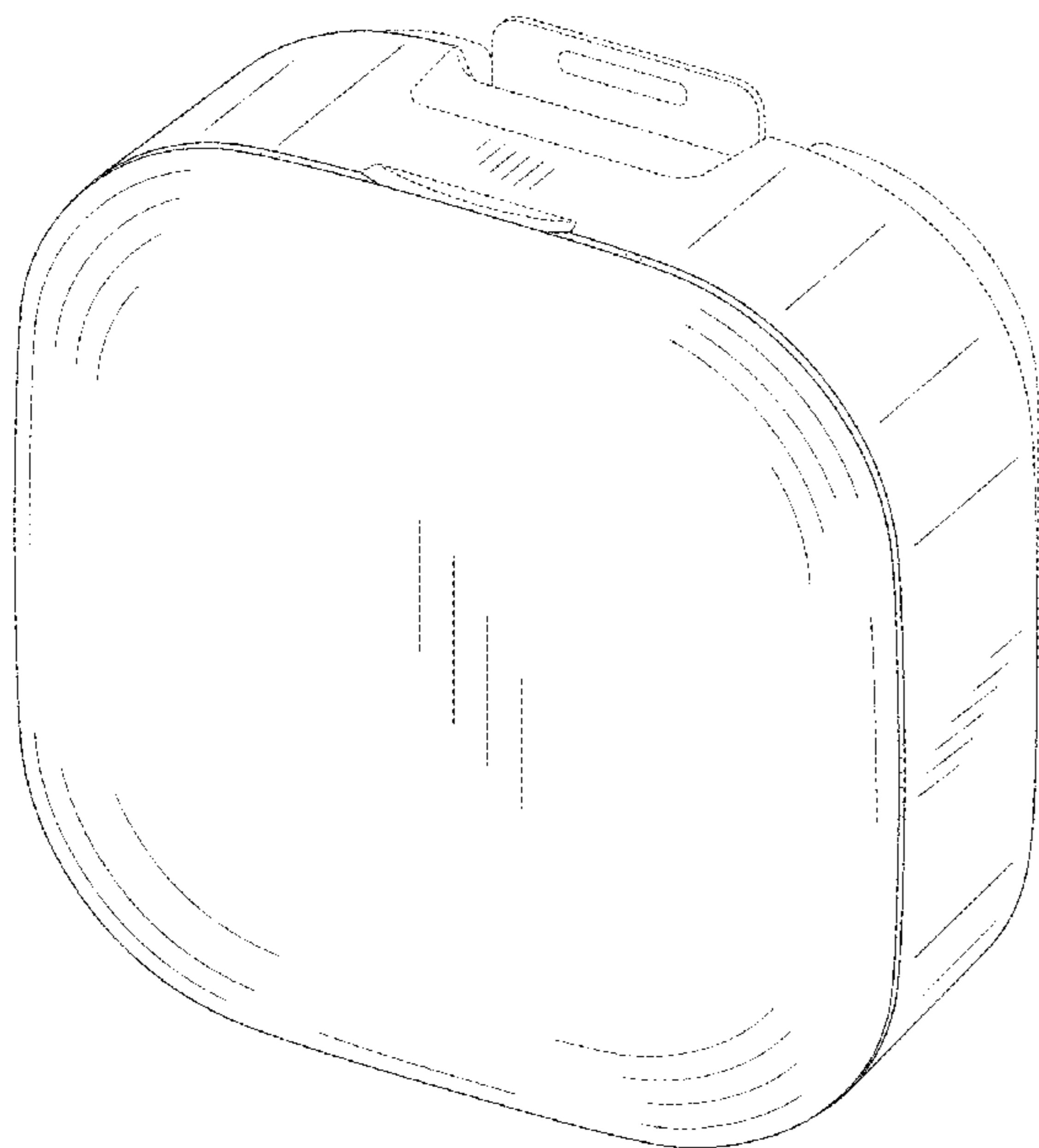


FIG. 1

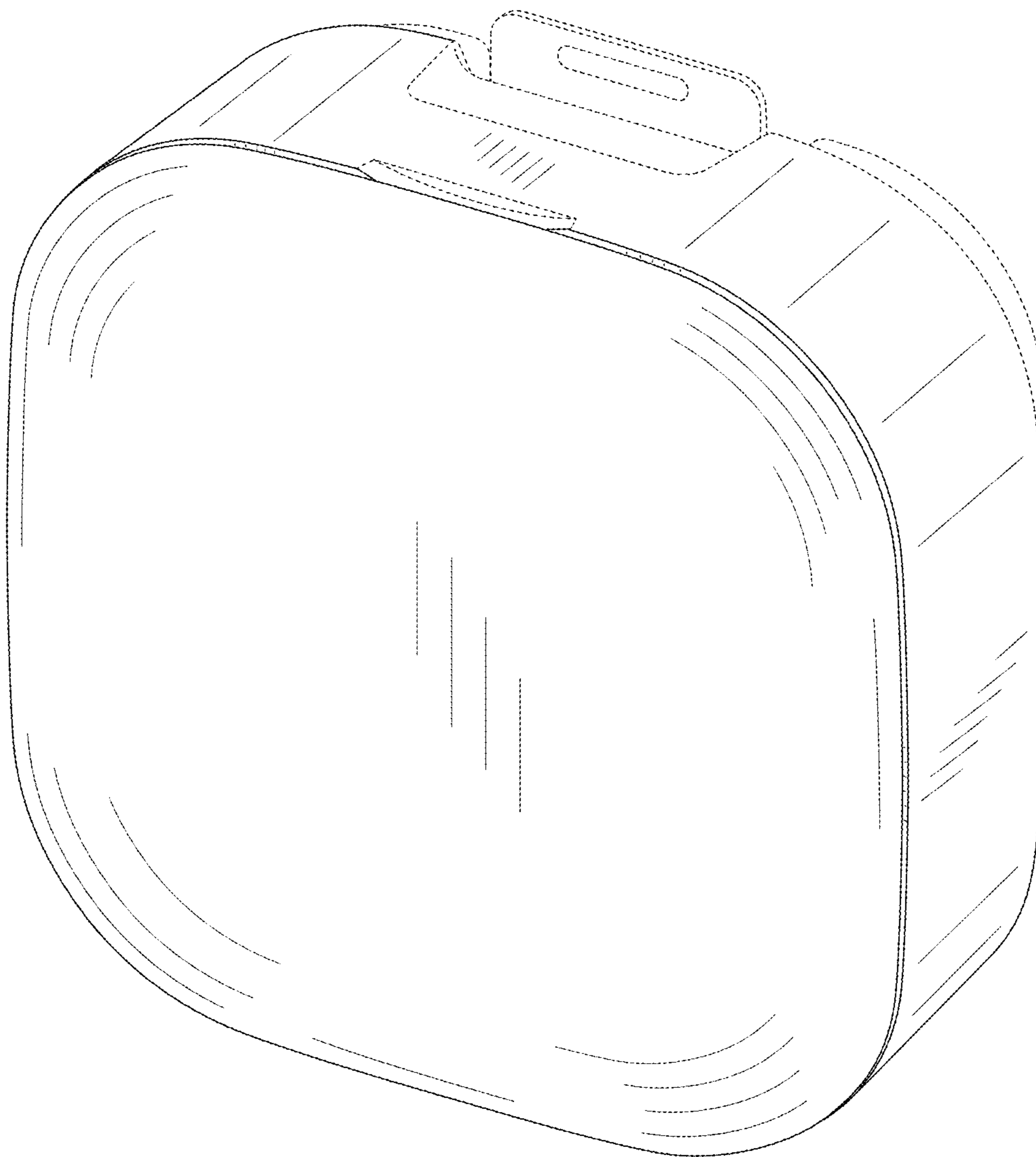


FIG.2

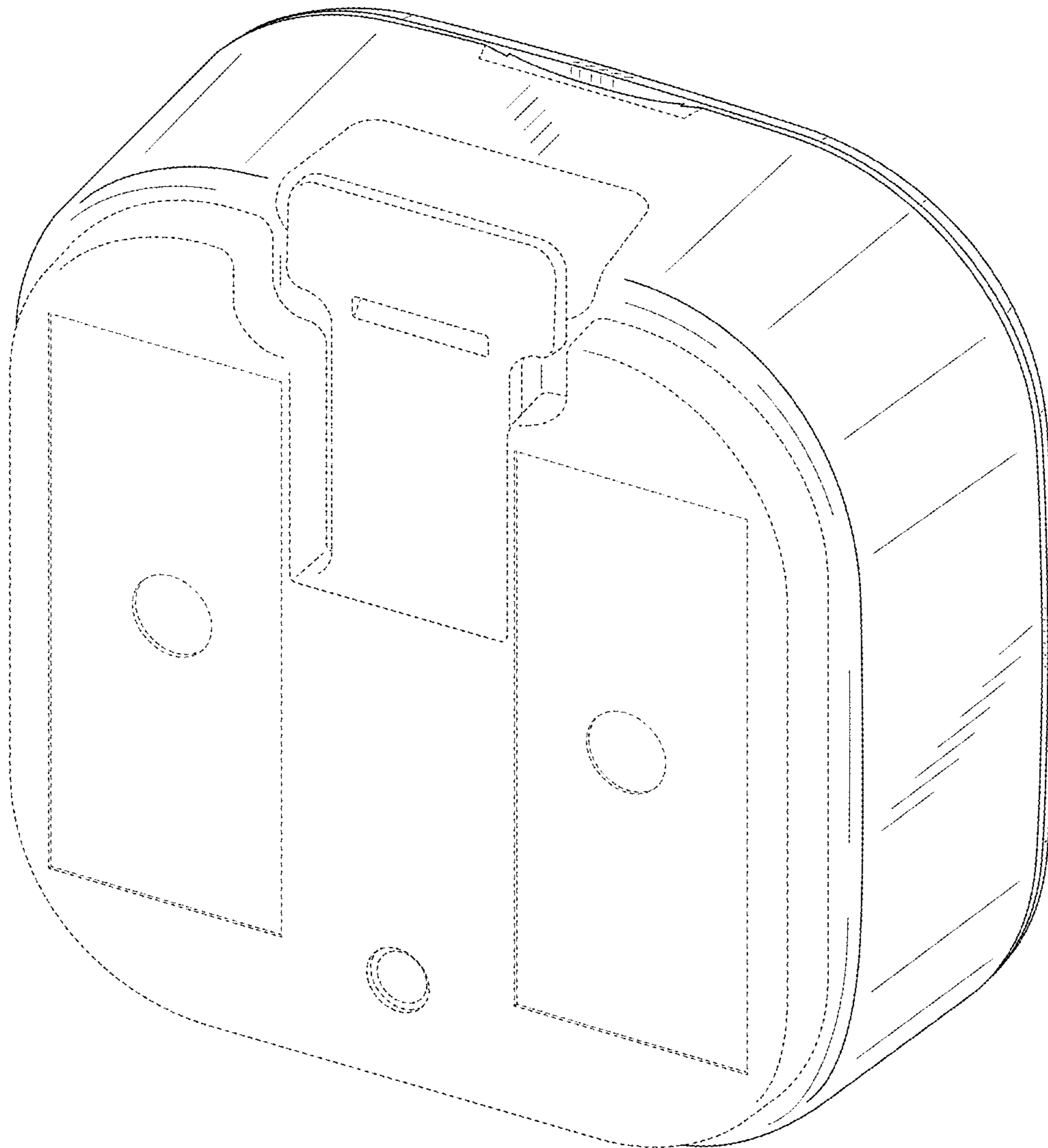


FIG.3

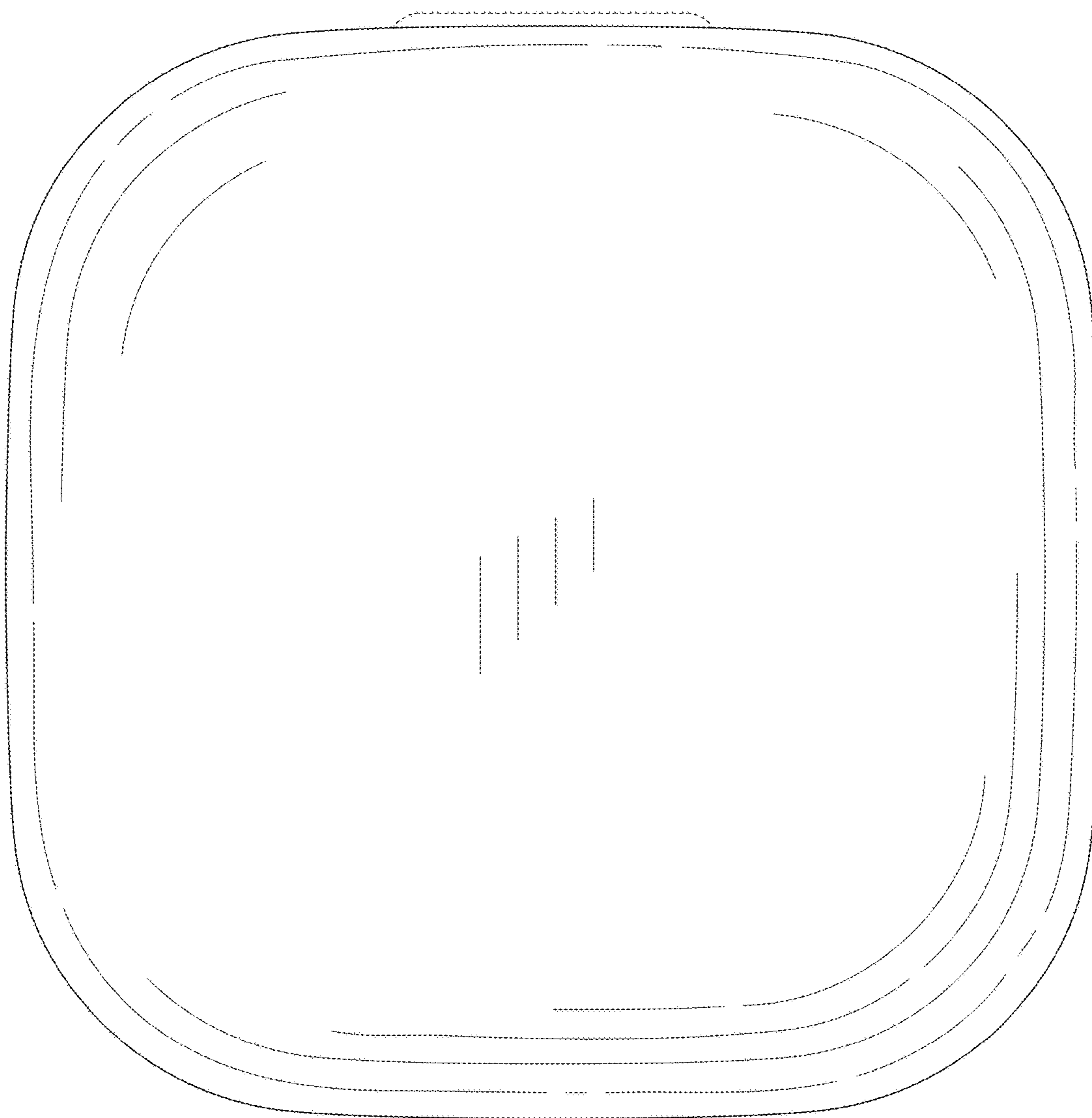


FIG.4

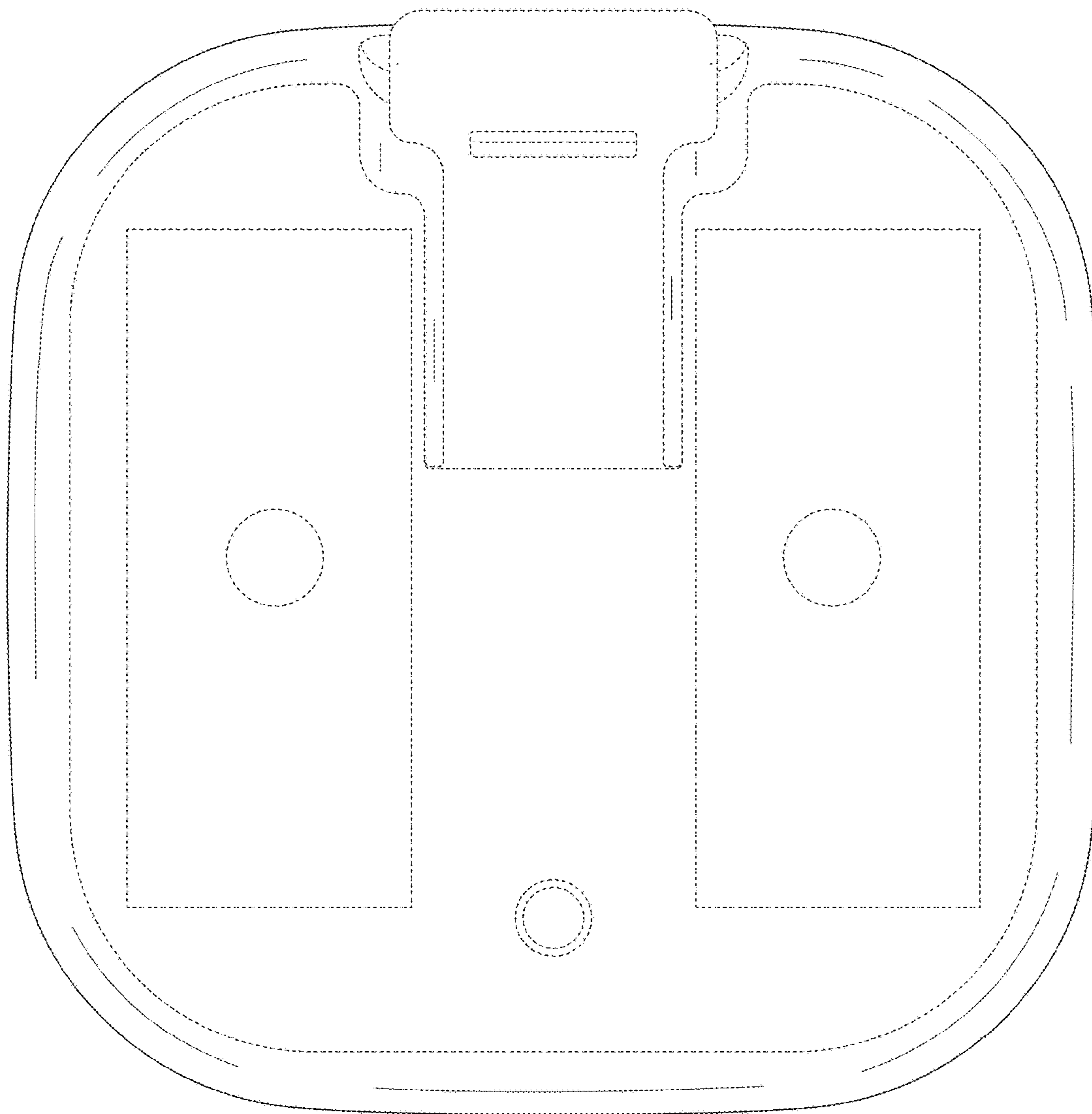


FIG.5

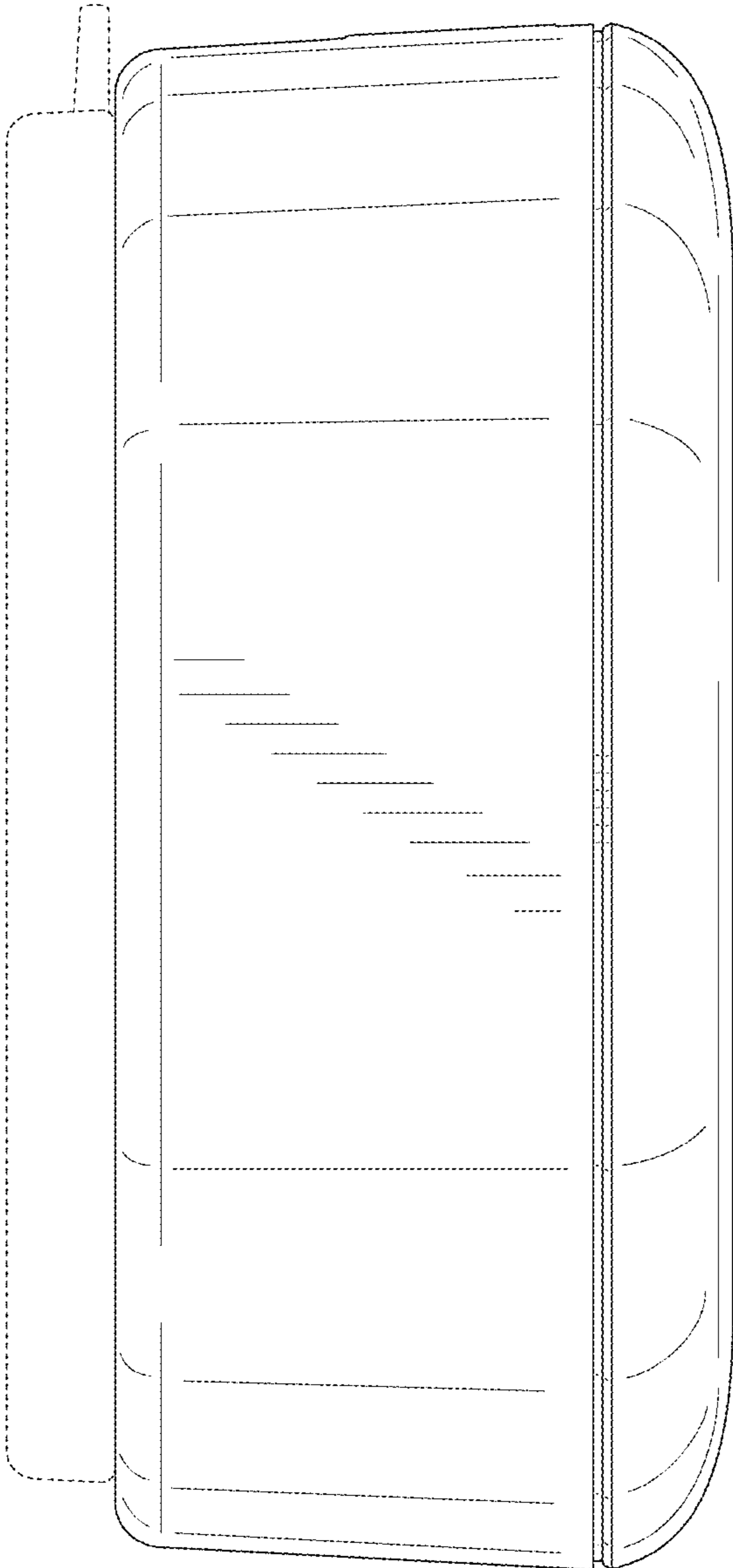


FIG.6

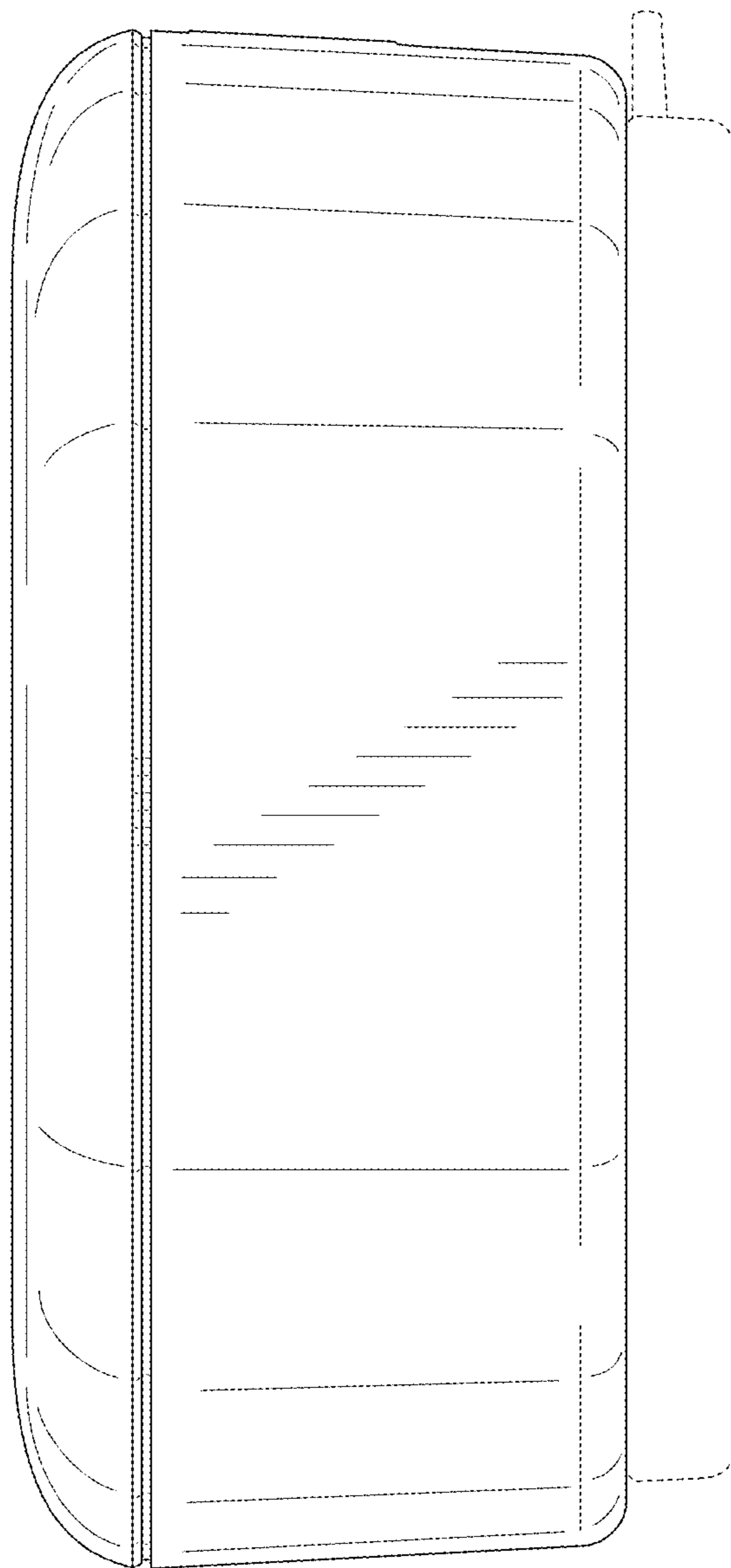


FIG. 7

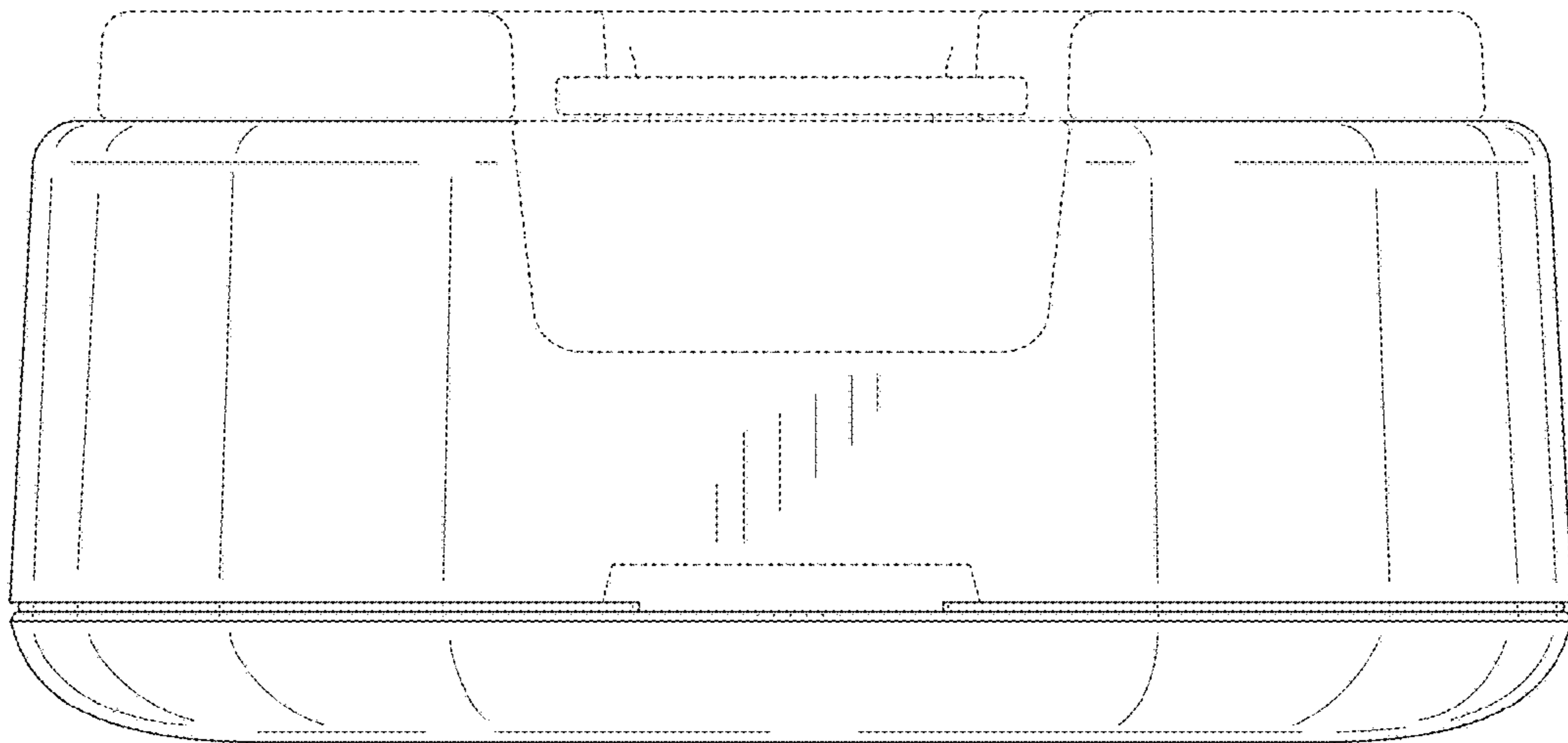


FIG.8

