



US00D778184S

(12) **United States Design Patent**
Kikstra et al.

(10) **Patent No.:** **US D778,184 S**

(45) **Date of Patent:** **** Feb. 7, 2017**

(54) **CURVED SENSOR COVER**

8,368,536 B2 * 2/2013 Fawcett G08B 13/1463
340/568.1

(71) Applicants: **Leonard Kikstra**, Jackson, WI (US);
Matthew Sveum, Wauwatosa, WI (US);
Peter K. Rusch, Brownsville, WI (US)

D733,596 S * 7/2015 Goodner D10/70
9,091,100 B2 * 7/2015 Yang G08B 13/2434

(72) Inventors: **Leonard Kikstra**, Jackson, WI (US);
Matthew Sveum, Wauwatosa, WI (US);
Peter K. Rusch, Brownsville, WI (US)

OTHER PUBLICATIONS

(73) Assignee: **Rite-Hite Holding Corporation**,
Milwaukee, WI (US)

United States Patent and Trademark Office, "Non-Final Office
Action," issued in connection with U.S. Appl. No. 29/528,181, on
May 11, 2016, 16 pages.

United States Patent and Trademark Office, "Notice of Allowance",
issued in connection with U.S. Appl. No. 29/528,181, Aug. 24,
2016, 17 pages.

(**) Term: **15 Years**

* cited by examiner

(21) Appl. No.: **29/533,640**

Primary Examiner — Antoine D Davis

(22) Filed: **Jul. 20, 2015**

(74) *Attorney, Agent, or Firm* — Hanley, Flight &
Zimmerman, LLC

(51) **LOC (10) Cl.** **10-04**

(52) **U.S. Cl.**

USPC **D10/70; D10/106.6**

(58) **Field of Classification Search**

USPC D10/104.1, 46, 70, 106.6

CPC G08B 13/00; G08B 13/02; G08B 13/04;

G08B 13/06; G08B 13/08; G08B 13/10;

G08B 13/12; G08B 13/122; G08B 13/124;

G08B 13/126; G08B 13/128; G08B 13/14;

G08B 13/1409; G08B 13/1418; G08B

13/1427; G08B 13/1436; G08B 13/1445

See application file for complete search history.

(57) **CLAIM**

The ornamental design for a curved sensor cover, as shown
and described.

DESCRIPTION

FIG. 1 is a front right perspective view of a curved sensor
cover.

FIG. 2 is a front view of the curved sensor cover of FIG. 1.

FIG. 3 is a rear view of the curved sensor cover of FIG. 1.

FIG. 4 is a right side view of the curved sensor cover of FIG.

1.

FIG. 5 is a left side view of the curved sensor cover of FIG.

1.

FIG. 6 is a top view of the curved sensor cover of FIG. 1;

and,

FIG. 7 is a bottom view of the curved sensor cover of FIG.

1.

The features shown in broken lines form no part of the
claimed design.

(56) **References Cited**

U.S. PATENT DOCUMENTS

D297,717 S 9/1988 Chu

7,737,843 B2 * 6/2010 Belden, Jr. G08B 13/1445

340/568.2

7,737,844 B2 * 6/2010 Scott G08B 13/242

340/5.25

D656,047 S 3/2012 Dyer

D656,848 S 4/2012 Mosher

1 Claim, 3 Drawing Sheets

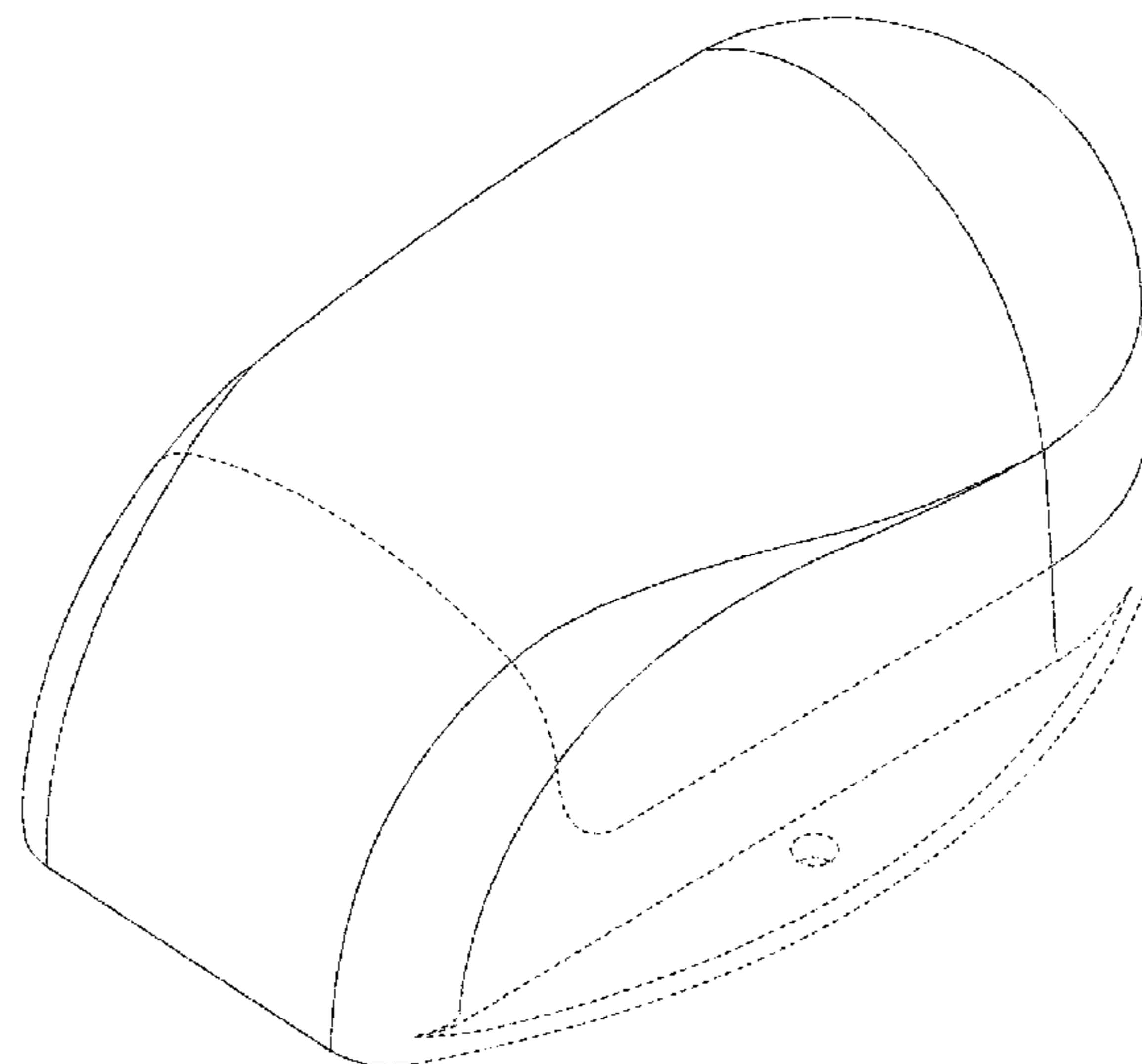


FIG. 1

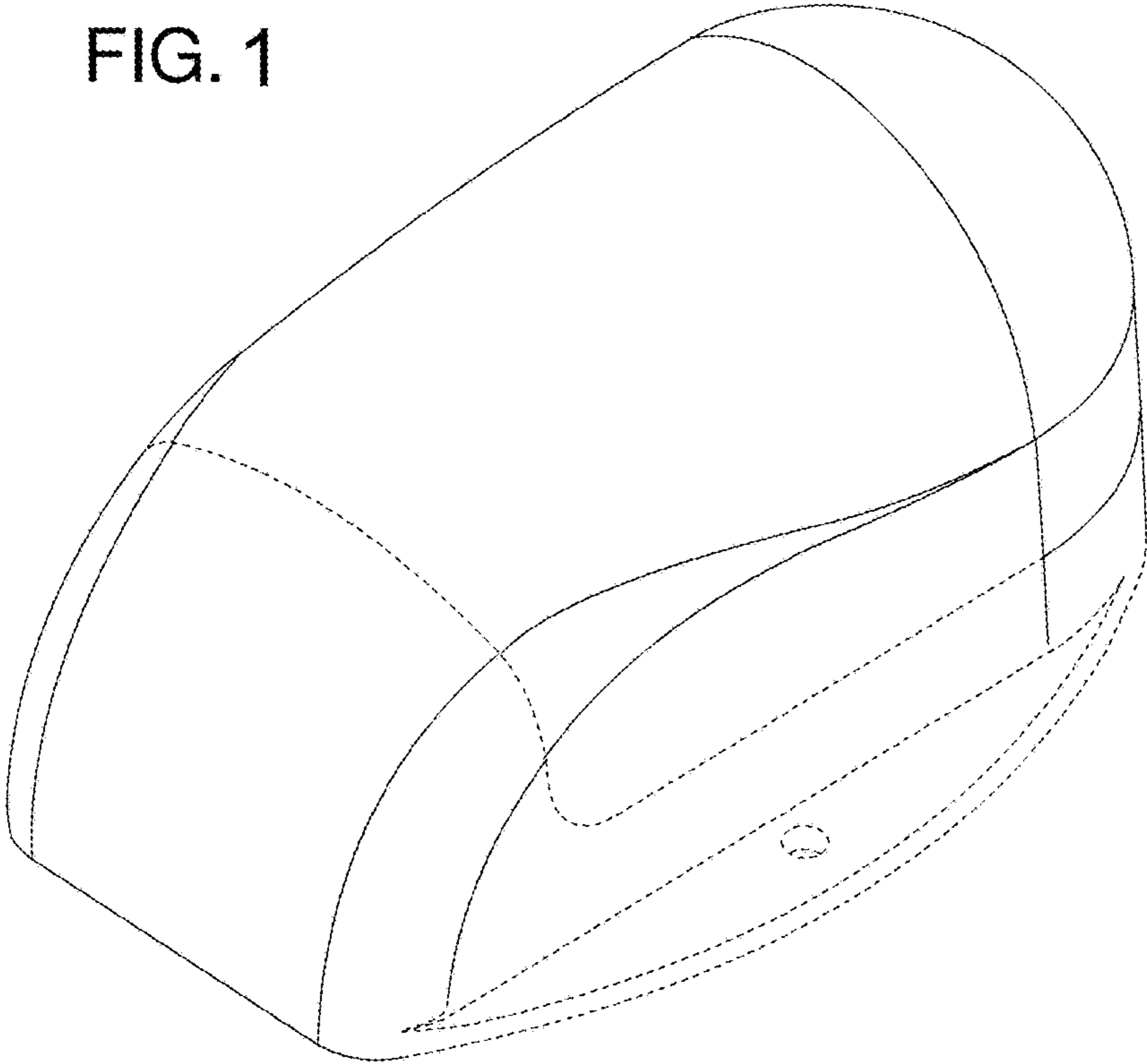


FIG. 2

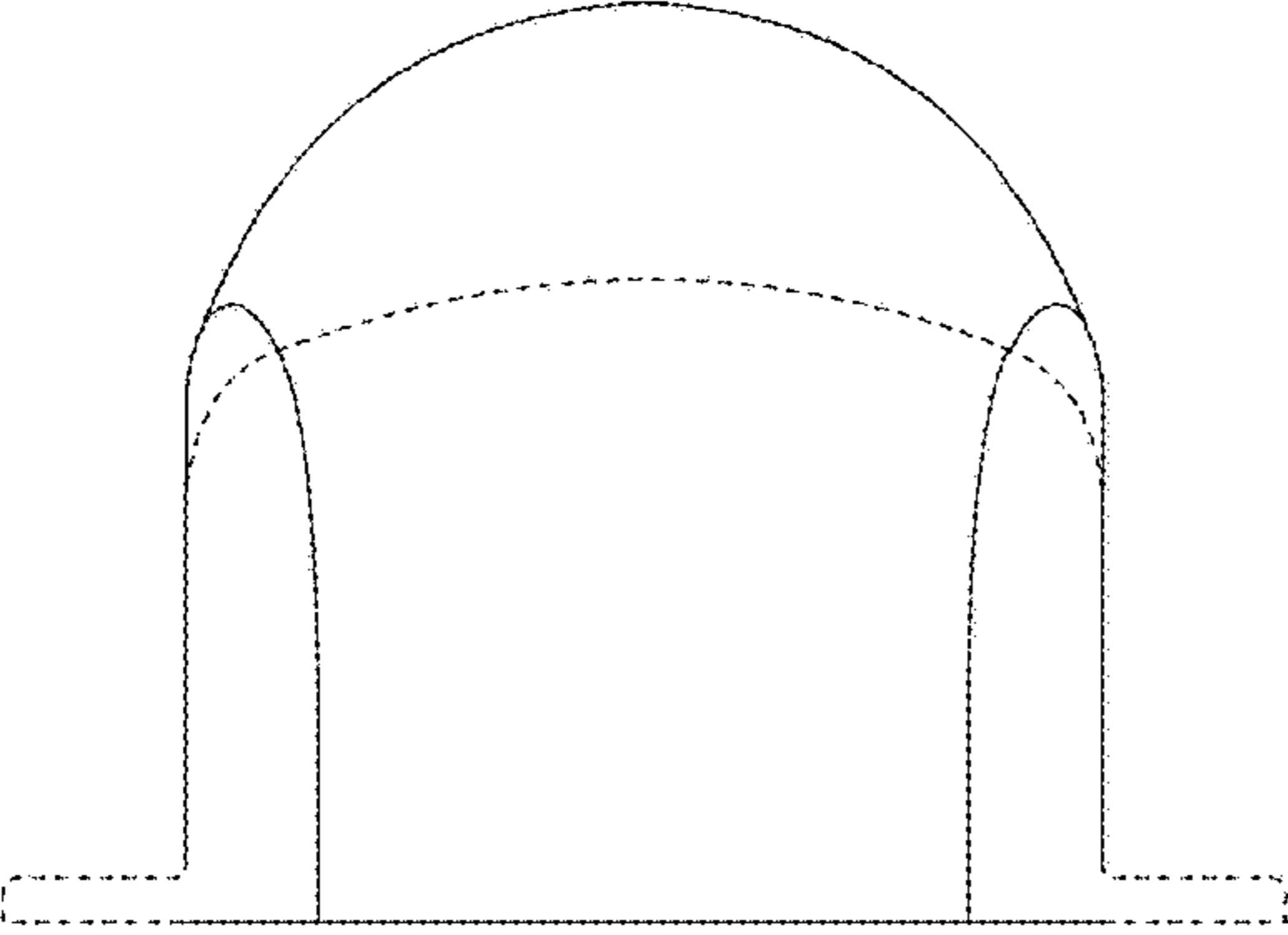


FIG. 3

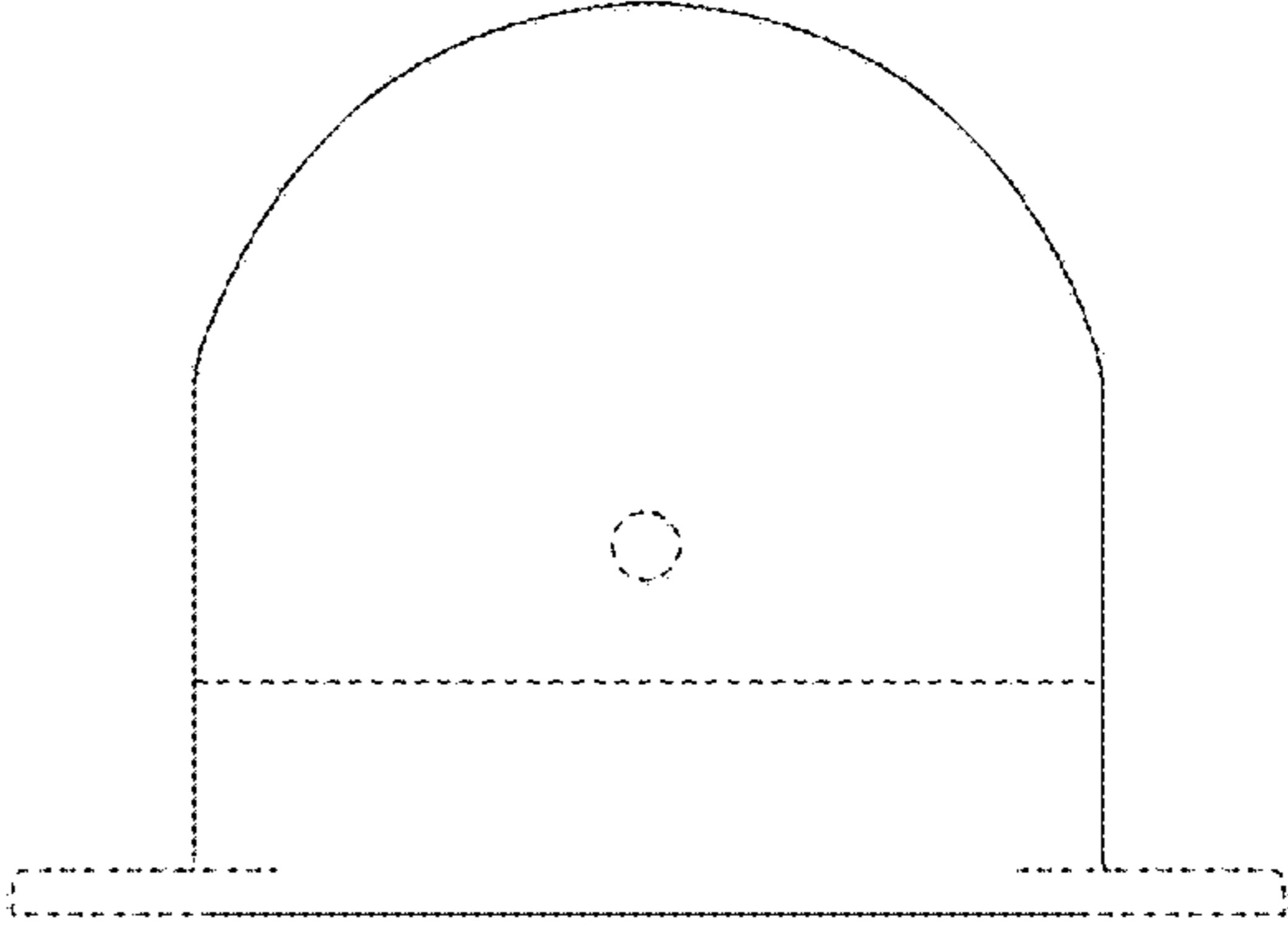


FIG. 4

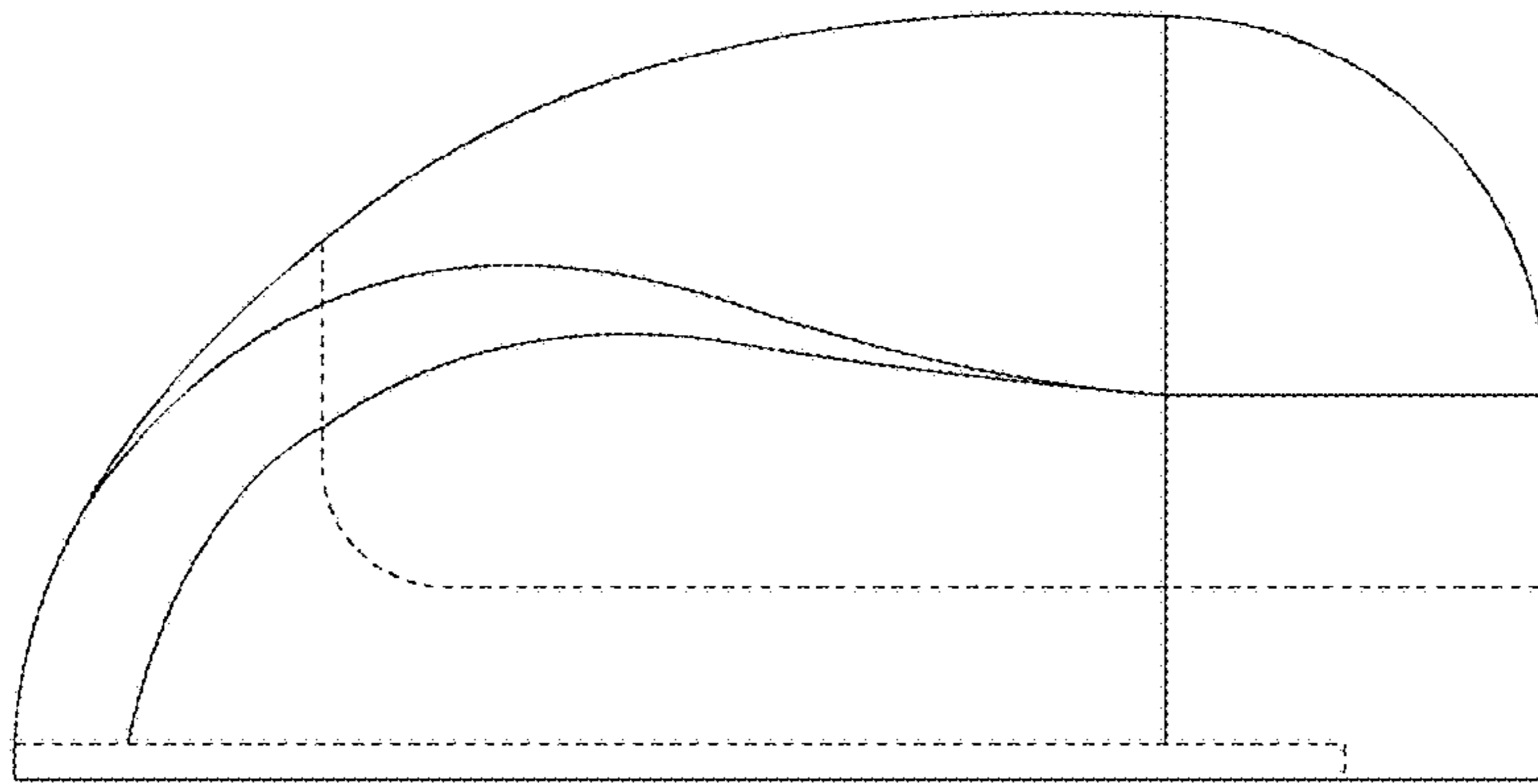


FIG. 5

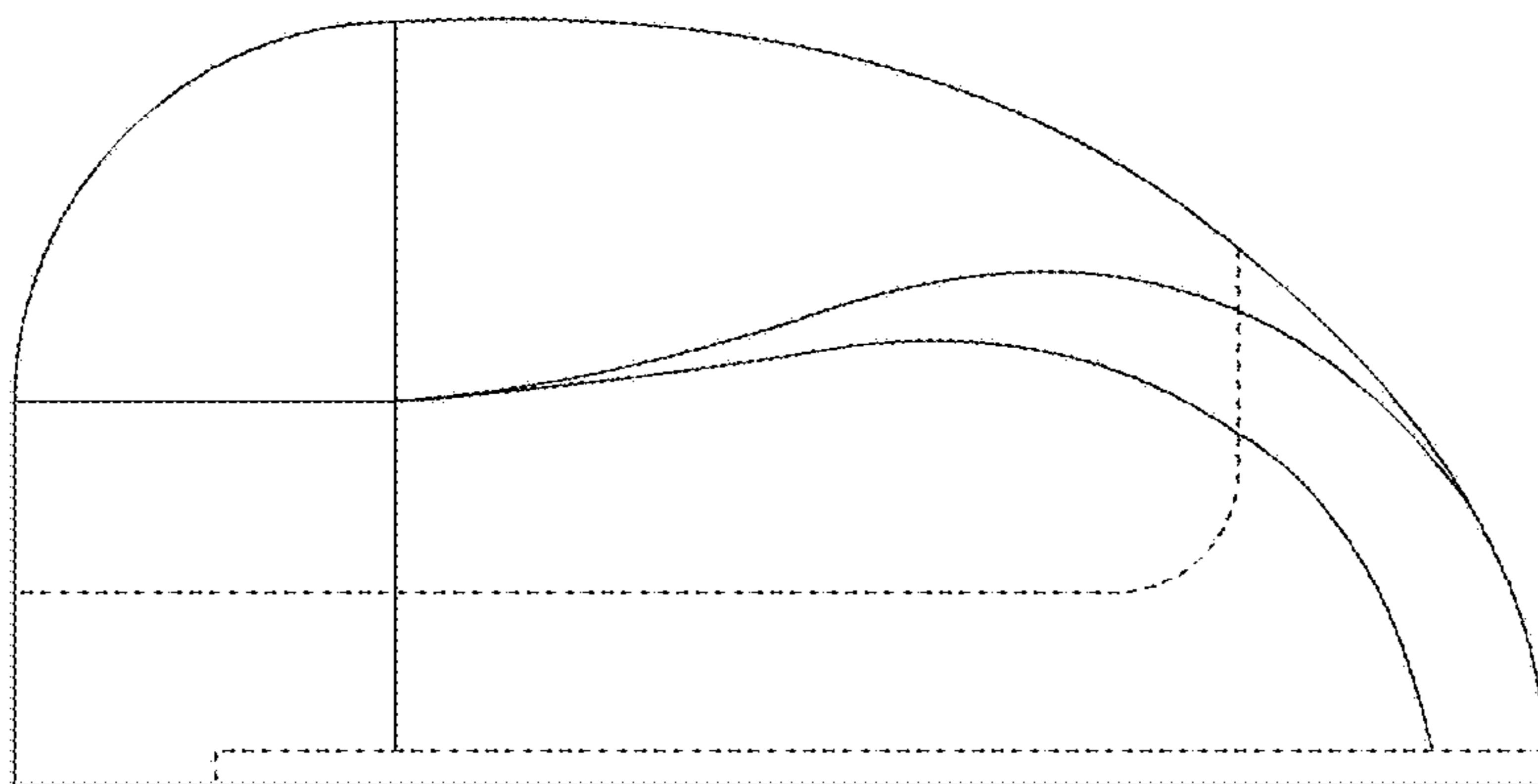


FIG. 6

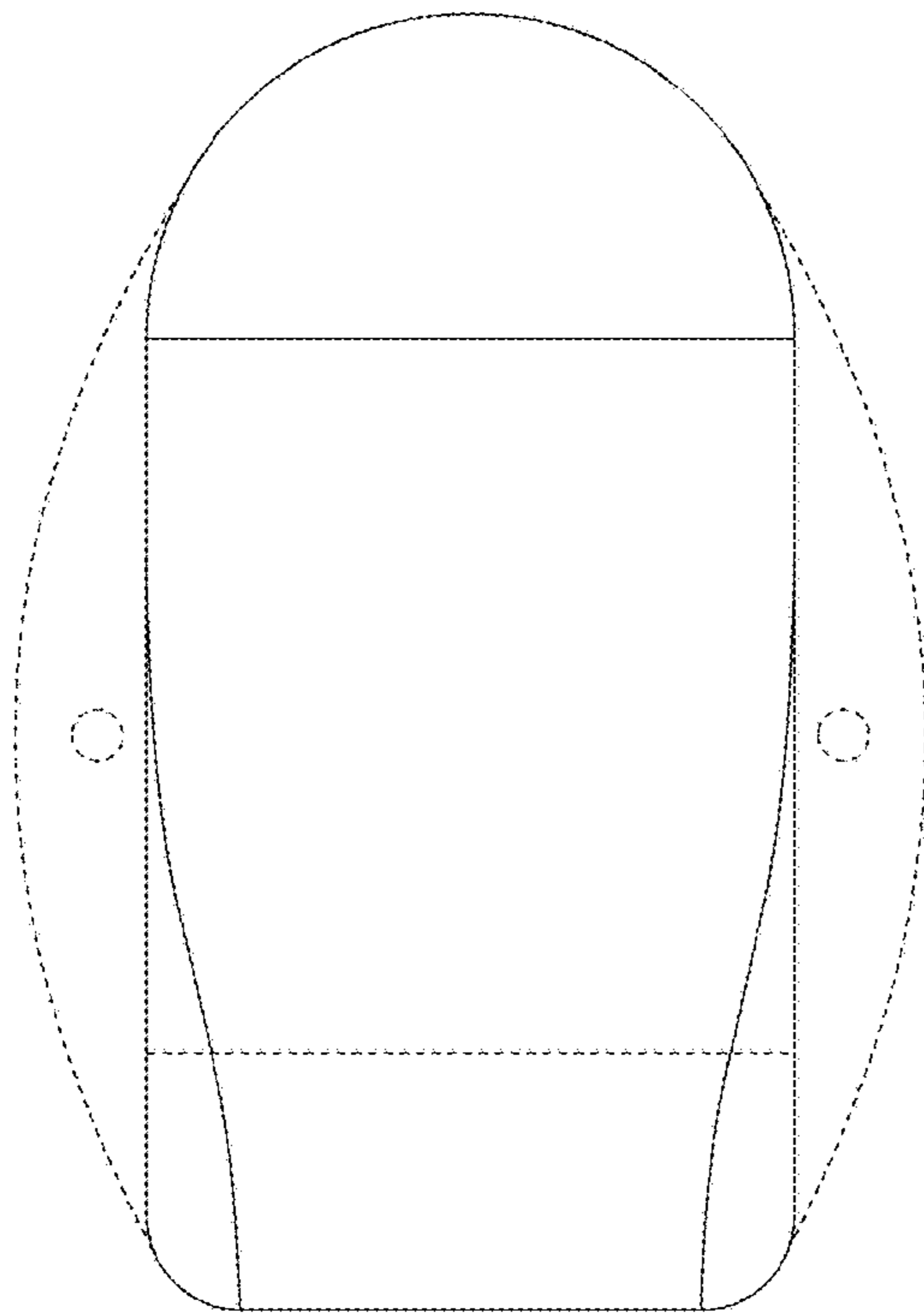


FIG. 7

