



US00D778180S

(12) **United States Design Patent** (10) **Patent No.:** **US D778,180 S**
Mangold (45) **Date of Patent:** **** Feb. 7, 2017**

(54) CONTROLLER FOR VALVES	D627,037 S * 11/2010 Glasser D10/49
	D630,533 S * 1/2011 Clausen D10/49
(71) Applicant: FESTO AG & Co. KG , Esslingen (DE)	D638,521 S 5/2011 Matusche
	D701,943 S 4/2014 Gaertner
	8,689,760 B1 * 4/2014 Pham F02M 63/0077 123/188.1
(72) Inventor: Simone Mangold , Esslingen (DE)	8,807,165 B2 * 8/2014 Frank F16K 25/005 137/599.01
(73) Assignee: FESTO AG & CO. KG , Esslingen (DE)	9,103,460 B2 * 8/2015 Moedinger F15B 15/202
	D754,291 S * 4/2016 Mangold D23/233
	D754,292 S * 4/2016 Mangold D23/233

(**) Term: **15 Years**

(21) Appl. No.: **29/530,820**

(22) Filed: **Jun. 19, 2015**

(30) **Foreign Application Priority Data**

Dec. 23, 2014 (WO) 861956101

(51) **LOC (10) Cl.** **10-04**

(52) **U.S. Cl.**
USPC **D10/49; D23/233**

(58) **Field of Classification Search**
USPC D10/49; D23/233–248
CPC F16K 25/00; F16K 25/005; F16K 25/02;
F16K 25/04; F16K 27/00; F16K 27/003;
F16K 27/006; F16K 27/02; F16K
27/0209; F16K 27/0218; F16K 27/0227;
F16K 27/0236; F16K 27/0245; F16K
27/0254; F16K 27/0263; F16K 27/0272;
F16K 27/028

See application file for complete search history.

(56) **References Cited**

U.S. PATENT DOCUMENTS

D598,978 S *	8/2009	Parsons	D23/233
D600,781 S *	9/2009	Parsons	D23/233
D600,782 S *	9/2009	Parsons	D23/233

OTHER PUBLICATIONS

“System 8802 Continuous Classic” of Christian Burkert GmbH & Co, KG.

* cited by examiner

Primary Examiner — Antoine D Davis

(74) *Attorney, Agent, or Firm* — Hoffmann & Baron, LLP

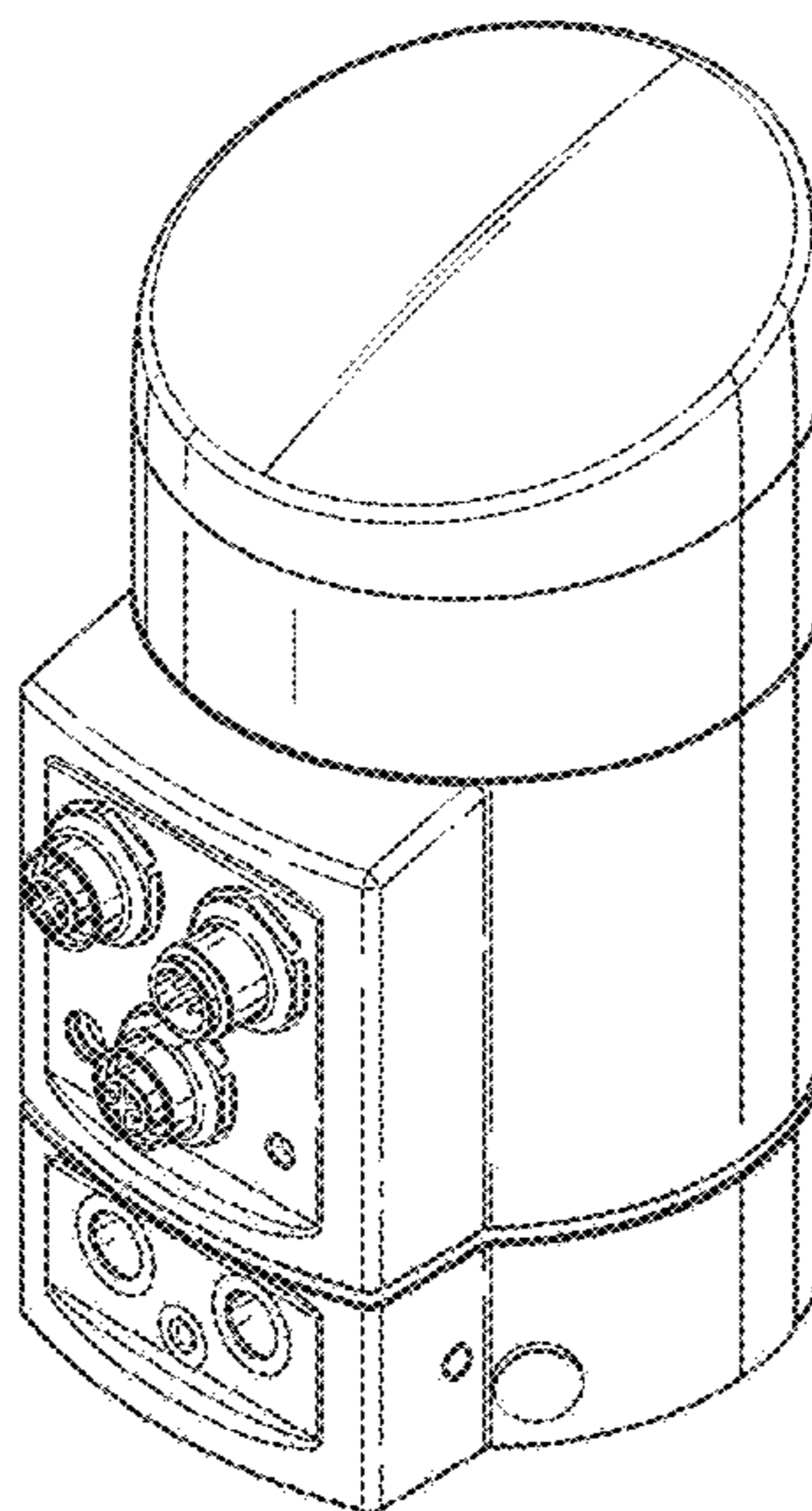
(57) **CLAIM**

The ornamental design for a controller for valves, as shown and described.

DESCRIPTION

FIG. 1 is a top perspective view of a controller for valves showing my new design;
FIG. 2 is a front view thereof;
FIG. 3 is a rear view thereof;
FIG. 4 is a left view thereof;
FIG. 5 is a right view thereof;
FIG. 6 is a top plan view thereof; and,
FIG. 7 is a bottom plan view thereof.
The broken lines in FIG. 7 are included for the purpose of illustrating portions that form no part of the claimed design.

1 Claim, 7 Drawing Sheets



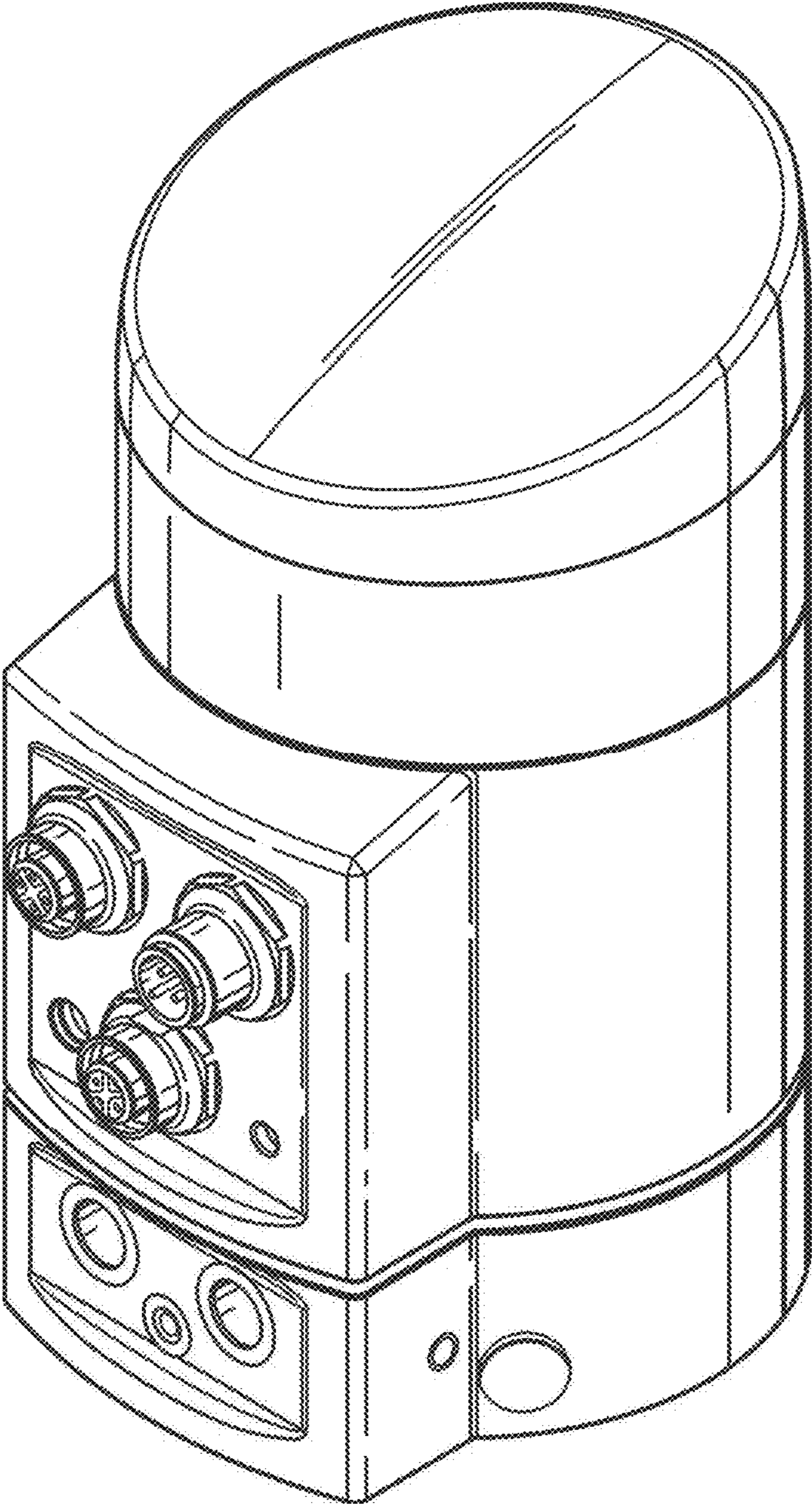


FIG. 1

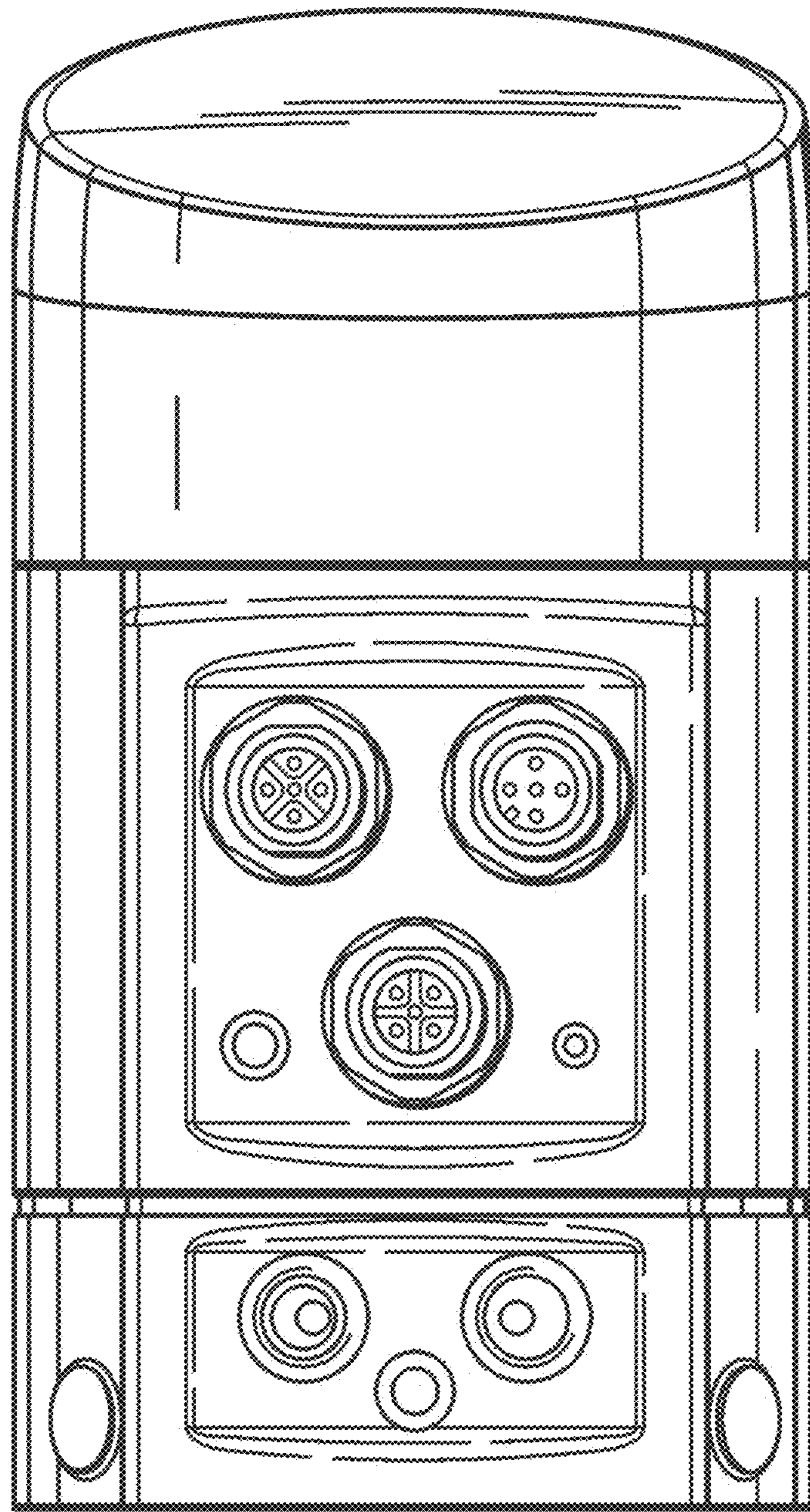


FIG. 2

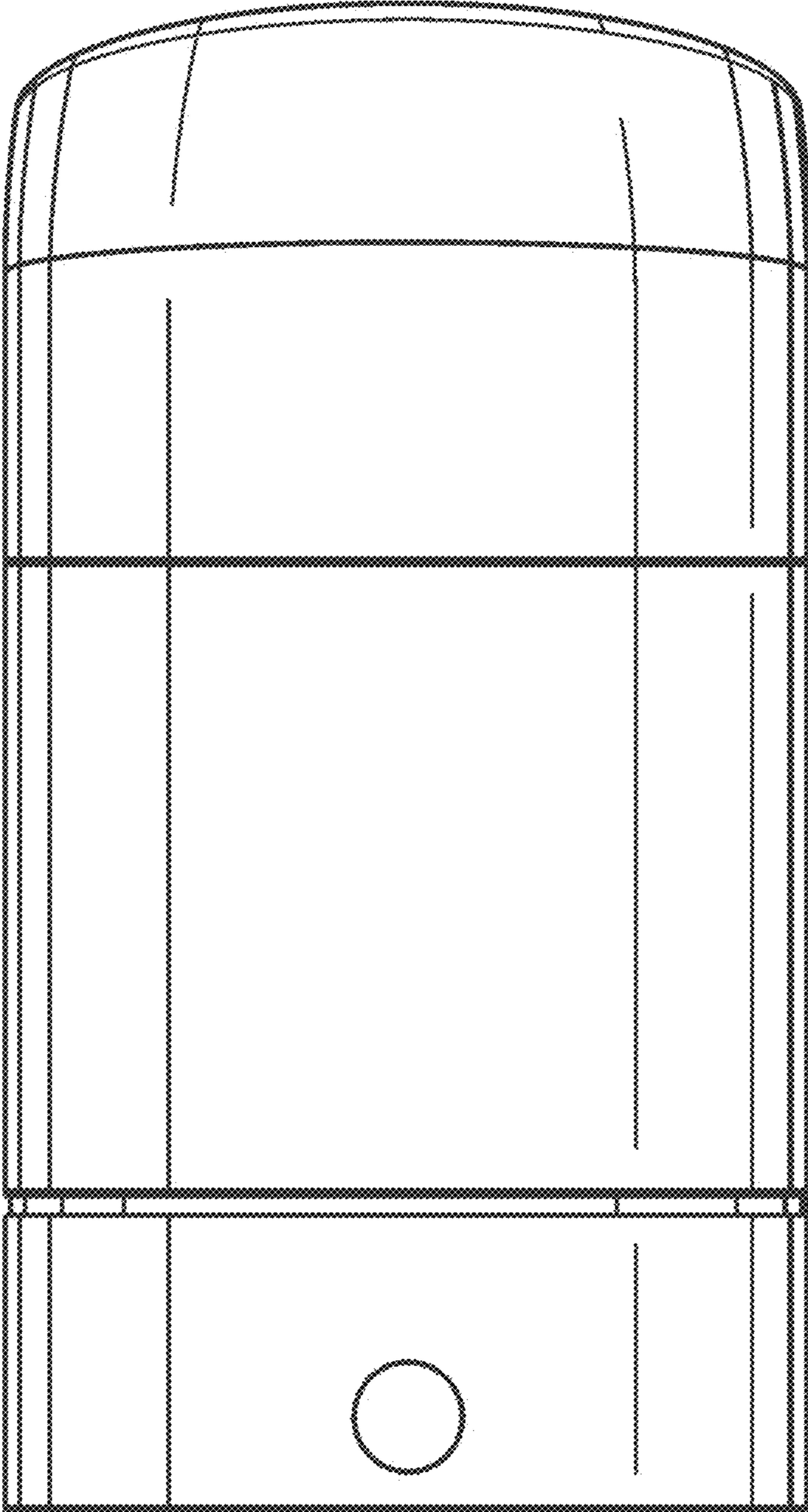


FIG. 3

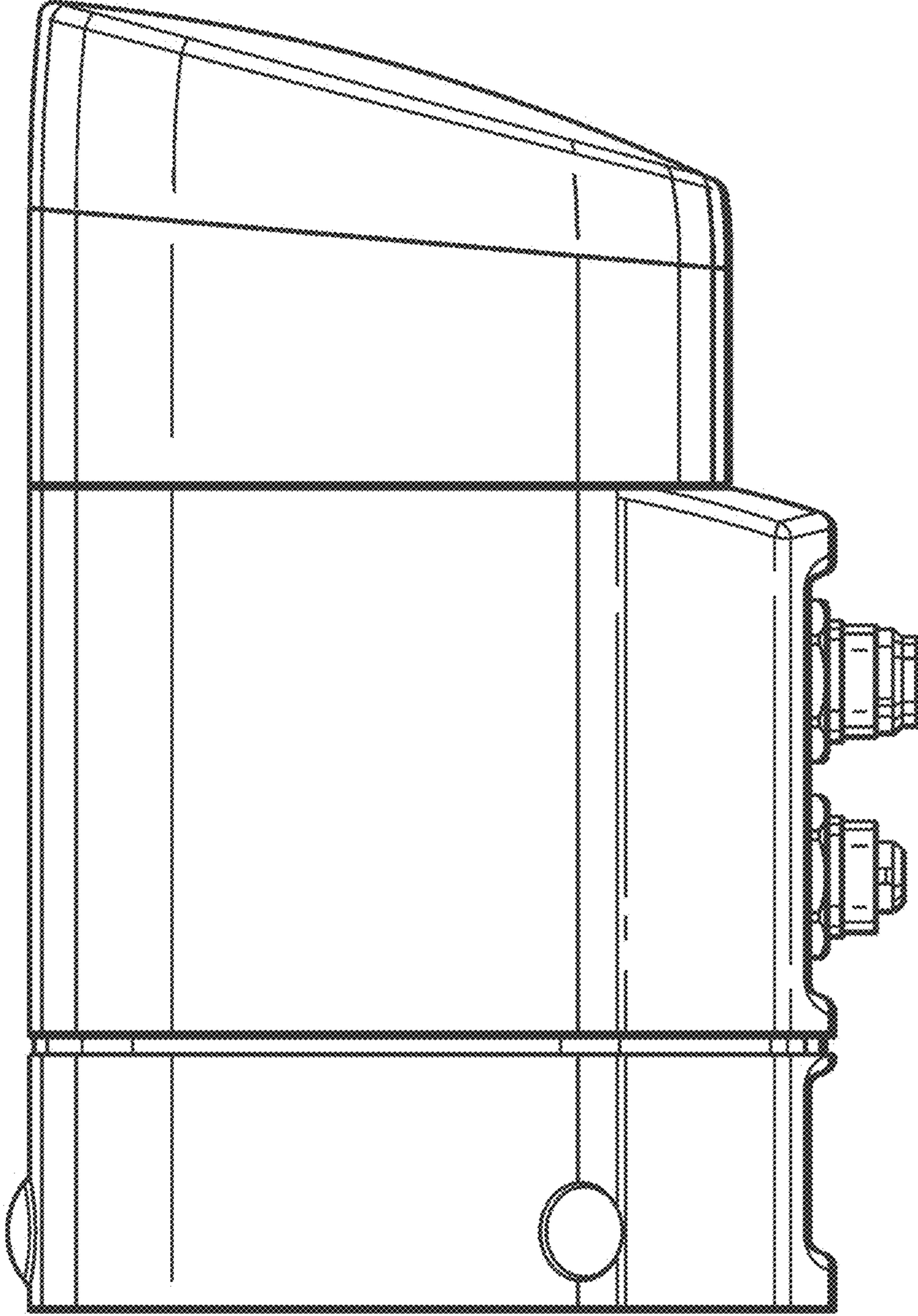


FIG. 4

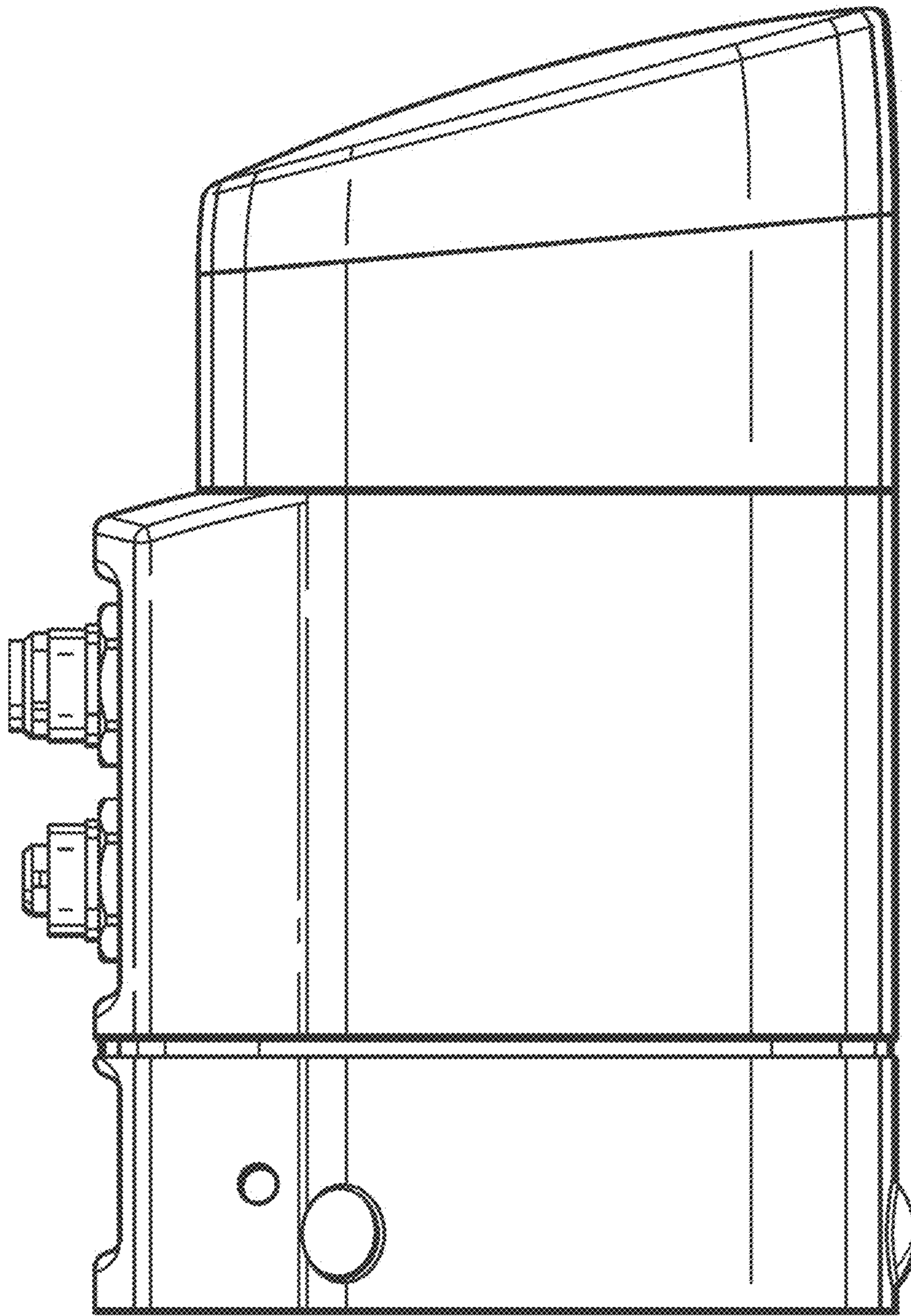


FIG. 5

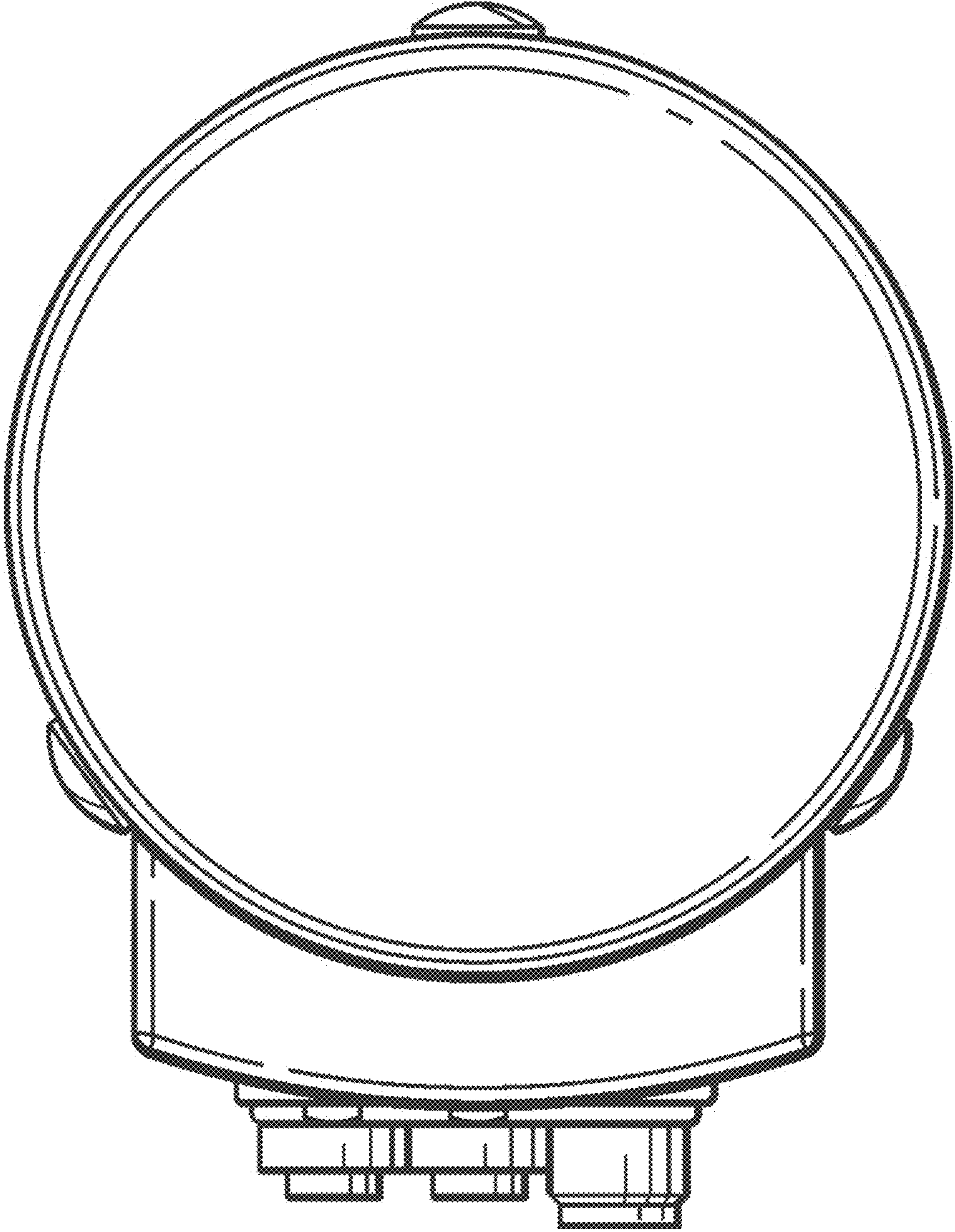


FIG. 6

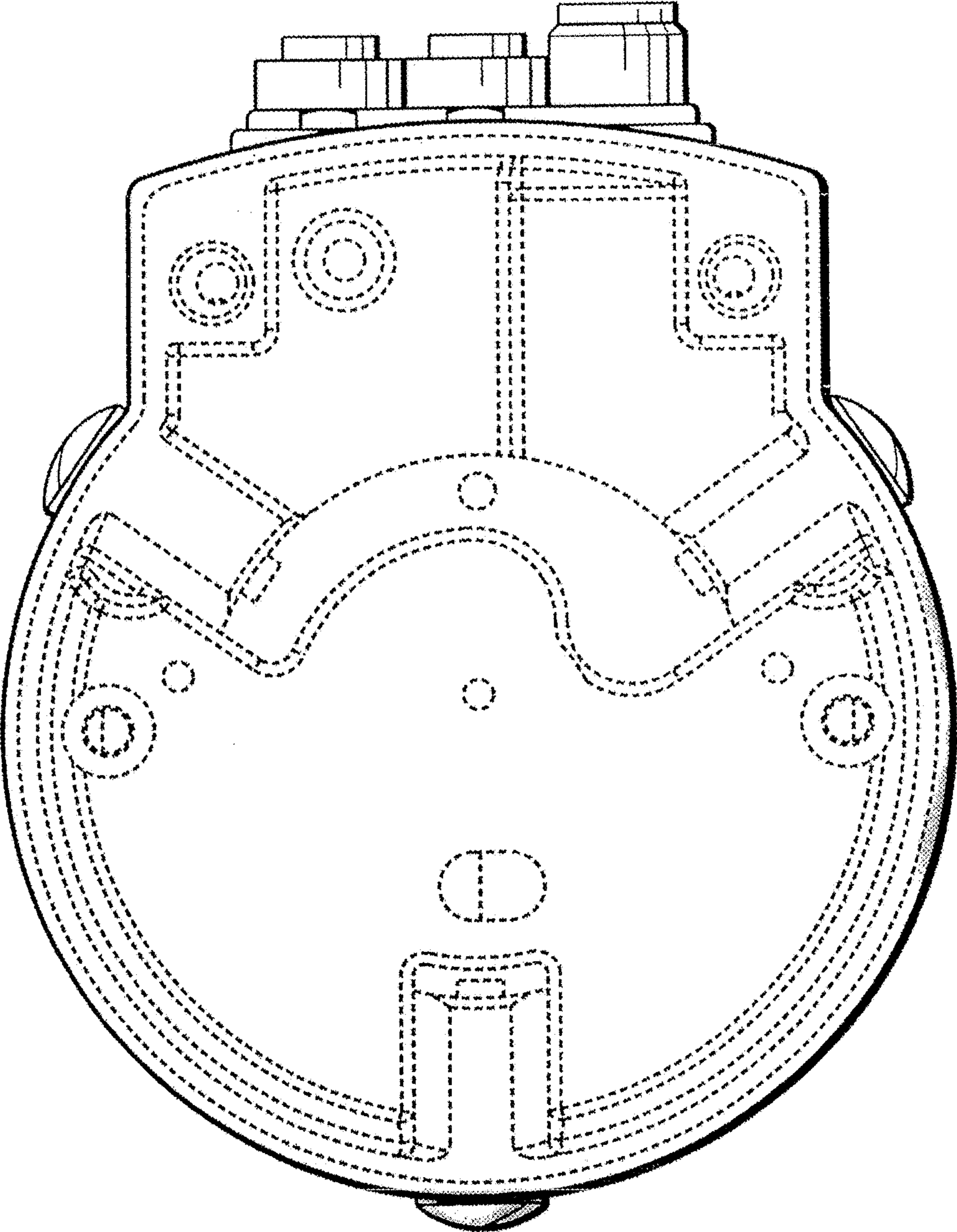


FIG. 7