

US00D778178S

(12) **United States Design Patent** (10) **Patent No.:** **US D778,178 S**
Lee et al. (45) **Date of Patent:** **** Feb. 7, 2017**

(54) **WATCH**
(71) Applicant: **Jae Hyung Lee**, Busan (KR)
(72) Inventors: **Jae Hyung Lee**, Busan (KR); **Min Hee Lee**, Gyeongsanbuk-do (KR); **Sang Ho Ahn**, Seoul (KR); **Il Soo Ahn**, Gyeonggi-do (KR); **Chul Woo Won**, Seoul (KR); **Young Soo Lee**, Seoul (KR)
(73) Assignee: **Jae Hyung Lee**, Busan (KR)

D356,742 S * 3/1995 Chenwu D10/126
D378,278 S * 3/1997 McGraw D10/15
D381,918 S * 8/1997 Otto D10/6
D407,652 S * 4/1999 Wu D10/2
D411,805 S * 7/1999 McDowell D10/2
6,208,593 B1 * 3/2001 Liao G04B 19/32
368/228
D441,661 S * 5/2001 Young D10/2
D443,830 S * 6/2001 Young D10/2
6,354,841 B1 * 3/2002 Bradt G09B 19/12
368/45
D500,958 S * 1/2005 Cooper D10/126
D535,207 S * 1/2007 Skaggs D10/126
7,180,830 B1 * 2/2007 Cotsen G04B 19/10
368/223

(**) Term: **14 Years**

(Continued)

(21) Appl. No.: **29/524,043**

Primary Examiner — Susan Bennett Hattan

Assistant Examiner — Jennifer Wright

(22) Filed: **Apr. 16, 2015**

(74) *Attorney, Agent, or Firm* — Revolution IP, PLLC

(30) **Foreign Application Priority Data**

(57) **CLAIM**

Oct. 16, 2014 (KR) 30-2014-0049710

The ornamental design for a “watch,” as shown and described.

(51) **LOC (10) Cl.** **10-02**

DESCRIPTION

(52) **U.S. Cl.** **D10/39; D10/38**

(58) **Field of Classification Search**

USPC 368/228–229, 232, 276, 280–283, 285,
368/23–30, 31; D10/2, 22, 23, 30–39,
D10/122–129

CPC . G04B 19/283; G04B 19/286; G04B 19/0008;
G04B 19/08; G04B 19/18; G04G 9/0088;
G04G 9/0094; G04G 9/025; G04G 9/126;
G04G 5/045; G04G 5/04

See application file for complete search history.

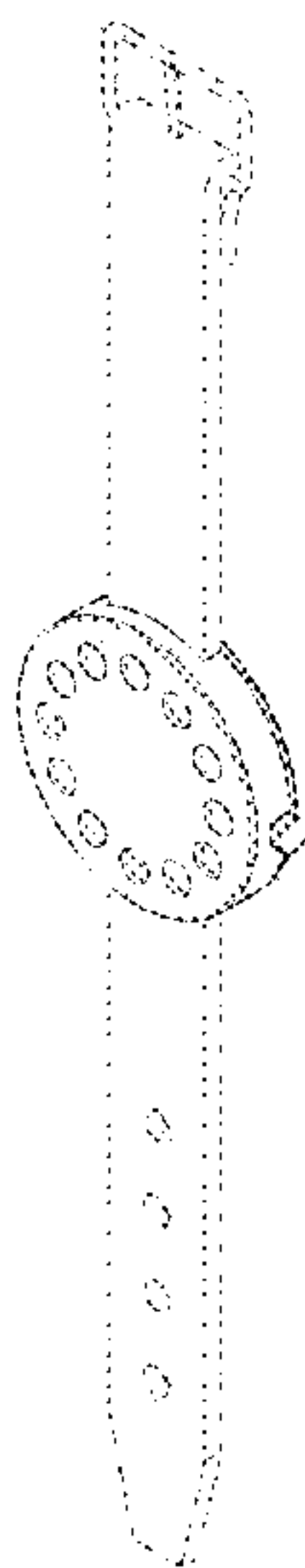
FIG. 1 is a perspective view of watch showing my new design;
FIG. 2 is a front view thereof;
FIG. 3 is a back view thereof;
FIG. 4 is a left side view thereof;
FIG. 5 is a right side view thereof;
FIG. 6 is a top view thereof;
FIG. 7 is a bottom view thereof;
FIG. 8 is an enlarged cross-sectional view taken along line 8-8 shown in FIG. 2;
FIG. 9 is an enlarged exploded perspective view of the watch; and,
FIG. 10 is a reference view showing the watch in use.
The broken lines depict environment only and form no part of the claimed design.

(56) **References Cited**

U.S. PATENT DOCUMENTS

D254,124 S * 2/1980 Greenfield D10/23
D338,837 S * 8/1993 Ungacta D10/23
5,269,086 A * 12/1993 Tomes A47G 1/0616
40/486

1 Claim, 8 Drawing Sheets



(56)

References Cited

U.S. PATENT DOCUMENTS

D541,177 S *	4/2007	Smith	D10/126
D553,018 S *	10/2007	Ho	D10/32
D626,876 S *	11/2010	Jones	D10/124
7,997,789 B2 *	8/2011	Smith	G04B 37/127 368/228
8,199,612 B2 *	6/2012	Jolidon	G04B 19/16 368/223
D697,074 S *	1/2014	Waldman	D14/485
2011/0038232 A1 *	2/2011	Su	G04G 9/042 368/82
2011/0069590 A1 *	3/2011	Jolidon	G04B 19/16 368/15

* cited by examiner

FIG. 1

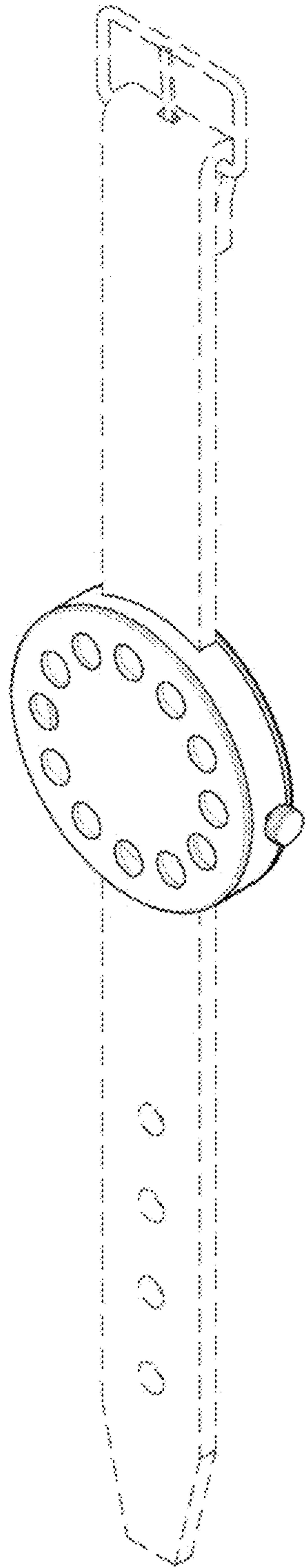


FIG. 2

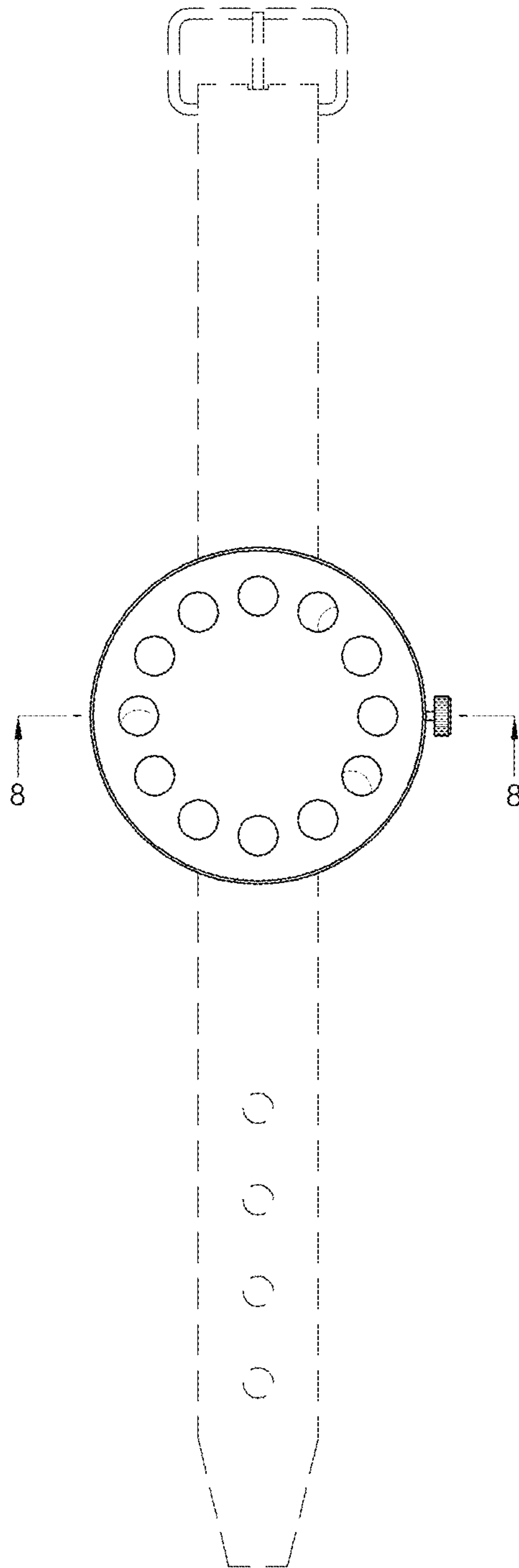


FIG. 3

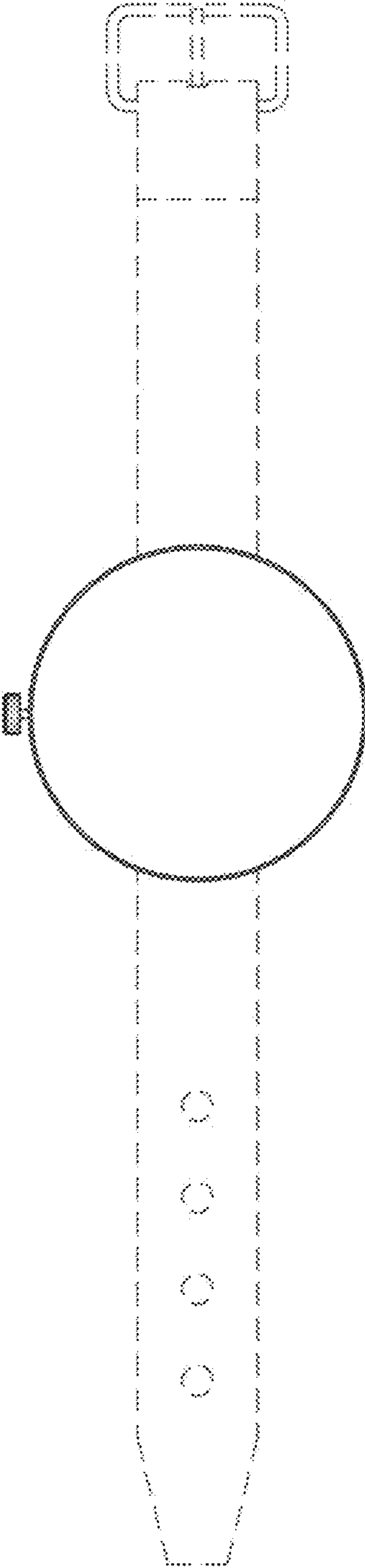


FIG. 4

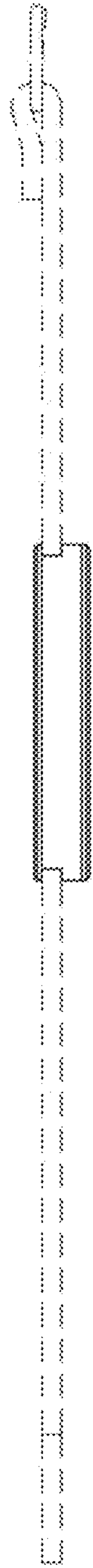


FIG. 5

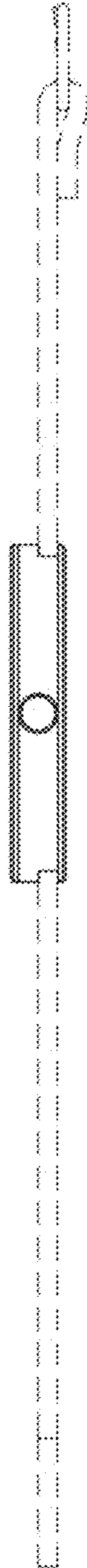


FIG. 6

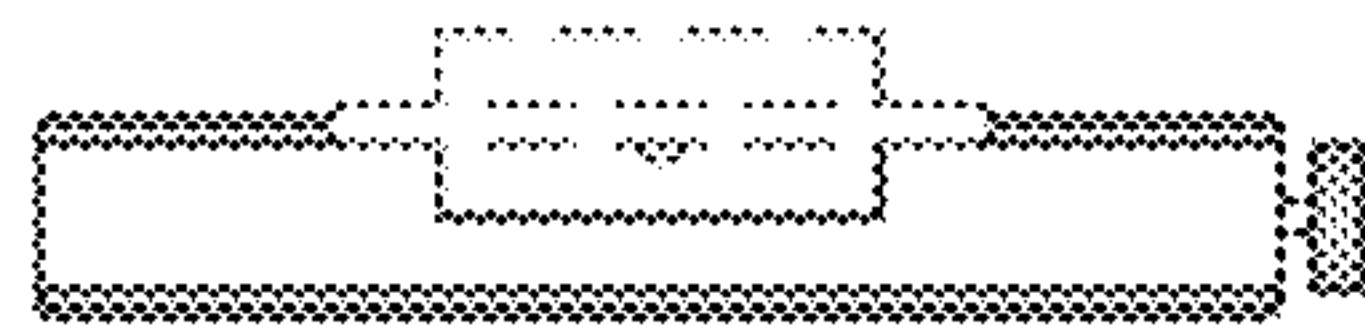


FIG. 7

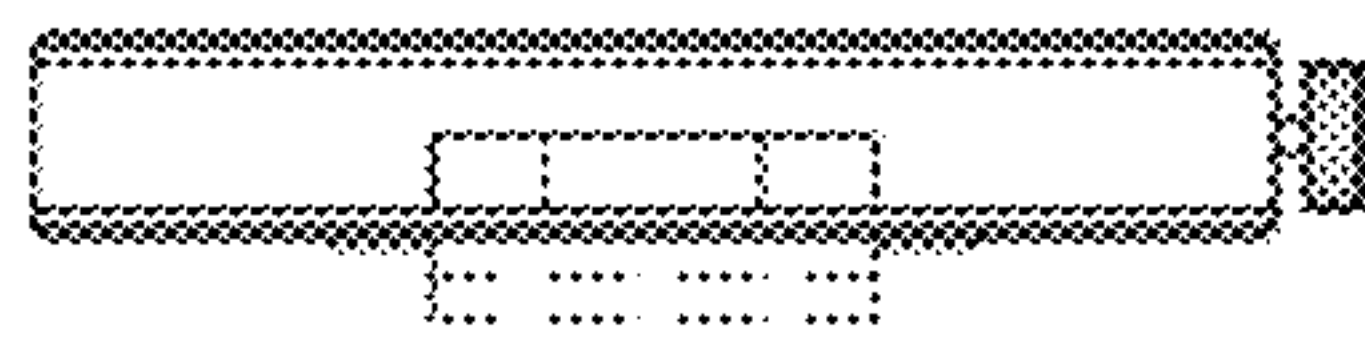


FIG. 8

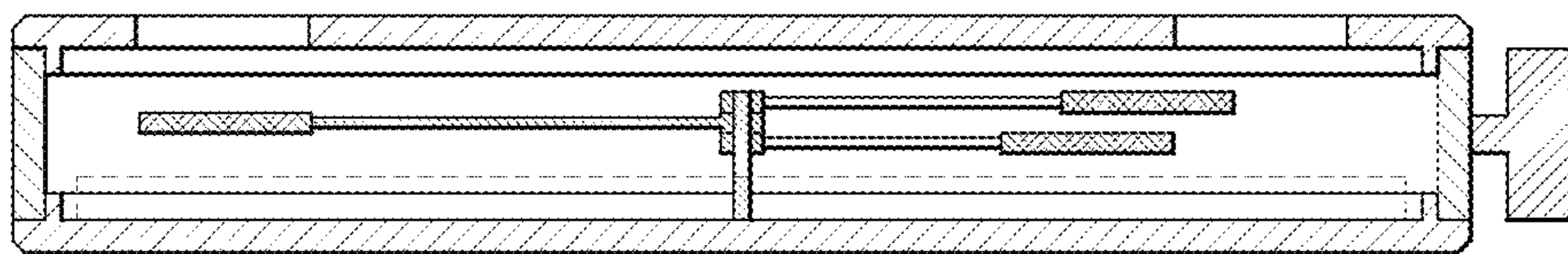


FIG. 9

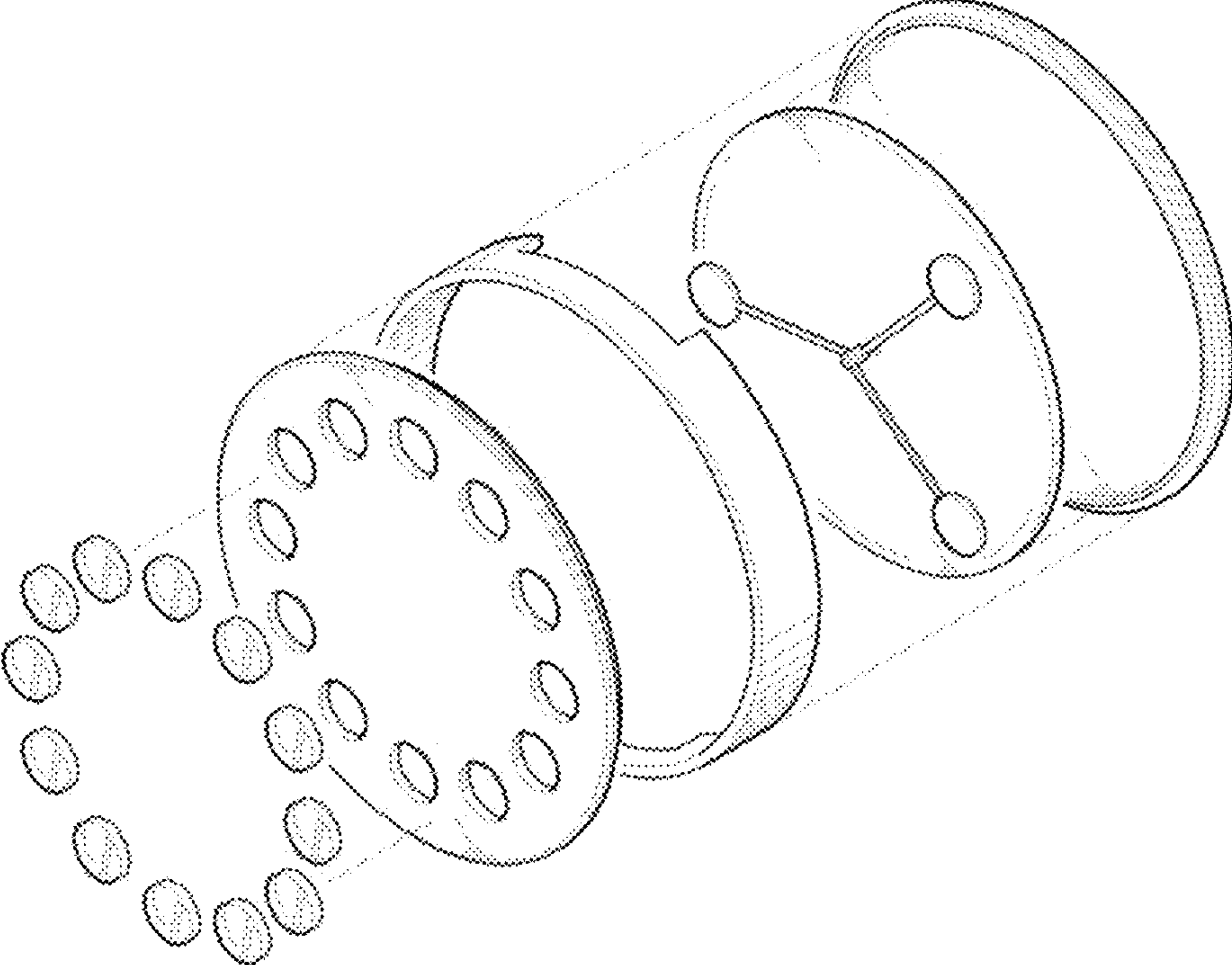


FIG. 10

