



US00D778174S

(12) **United States Design Patent** (10) **Patent No.:** **US D778,174 S**
Zhang et al. (45) **Date of Patent:** **** Feb. 7, 2017**

(54) **LIQUID DISPENSER WITH AN ELLIPTICAL TIP**

(56) **References Cited**

U.S. PATENT DOCUMENTS

(71) Applicant: **Adhezion Biomedical, LLC**,
Wyomissing, PA (US)

(72) Inventors: **Sheng Zhang**, Hickory, NC (US);
Rafael Ruiz, Sr., Hudson, NC (US);
Amanda Guido, Granite Falls, NC
(US)

(73) Assignee: **Adhezion Biomedical, LLC**,
Wyomissing, PA (US)

D246,380 S	11/1977	Boothby	
D293,821 S	1/1988	Vaillancourt	
D373,827 S	9/1996	Polaniec	
D386,260 S *	11/1997	Polaniec	D24/112
D401,698 S *	11/1998	Daniels	73/864.01
D436,661 S	1/2001	Berry	
D565,192 S	3/2008	Tajima	
D673,291 S *	12/2012	Knight	D24/222
D694,424 S *	11/2013	Kwak	D24/222
D699,837 S *	2/2014	Ericsson	D24/112
D731,668 S *	6/2015	Kwak	D24/222
D731,670 S *	6/2015	Kwak	D24/222
D758,579 S	6/2016	Keckstein	

(**) Term: **15 Years**

* cited by examiner

(21) Appl. No.: **29/549,454**

Primary Examiner — Robert M Spear

(22) Filed: **Dec. 22, 2015**

Assistant Examiner — Eliza Bennett-Hattan

(51) **LOC (10) Cl.** **09-01**

(74) *Attorney, Agent, or Firm* — Stradley Ronon Stevens & Young, LLP

(52) **U.S. Cl.**

(57) **CLAIM**

USPC **D9/724**; D24/133

The ornamental design for a liquid dispenser with an elliptical tip, substantially as shown and described.

(58) **Field of Classification Search**

DESCRIPTION

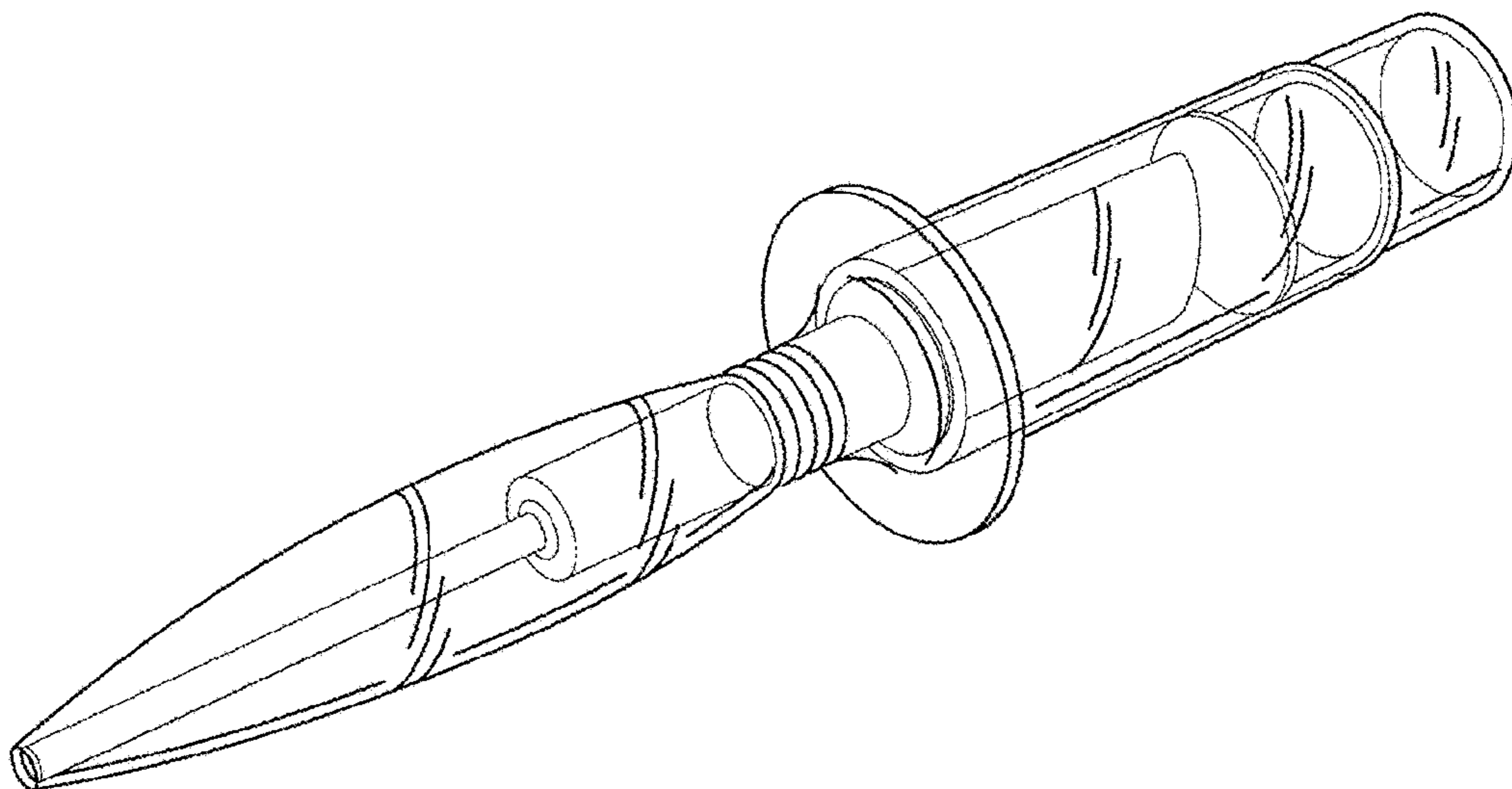
USPC D24/214, 137, 138, 177, 147, 222, 119,
D24/141, 133, 111; D8/16, 17, 19, 45, 21,
D8/24, 25, 29.1, 57, 69, 80, 82, 83, 88,
D8/94, 97, 107, 300, 303; D6/328;
D10/61, 62; D9/724

CPC ... A61C 17/0202; A61C 19/063; A61C 3/025;
A61C 19/002; A61L 2300/00; A61L
31/10; A61L 31/16; A61L 2202/24; A61L
2/22; A61M 39/10; A61M 5/30; A61M
16/0666; A61M 3/0279; A61B 17/8808

FIG. 1 shows a perspective view of the dispenser;
FIG. 2 shows a side view of the dispenser;
FIG. 3 shows a top view of the dispenser;
FIG. 4 shows a bottom view of the dispenser;
FIG. 5 shows a front view of the dispenser; and,
FIG. 6 shows a rear view of the dispenser.

See application file for complete search history.

1 Claim, 2 Drawing Sheets



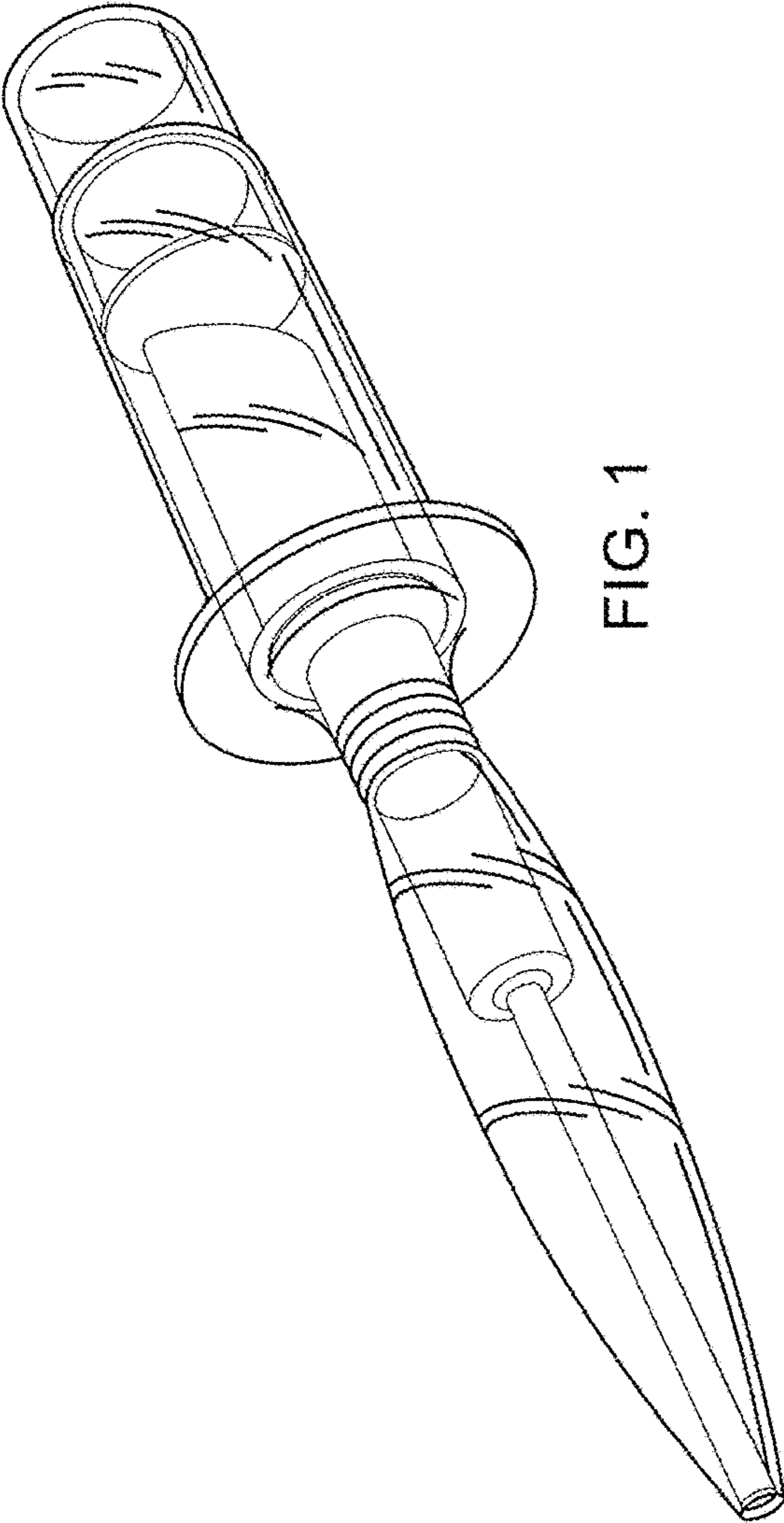


FIG. 1

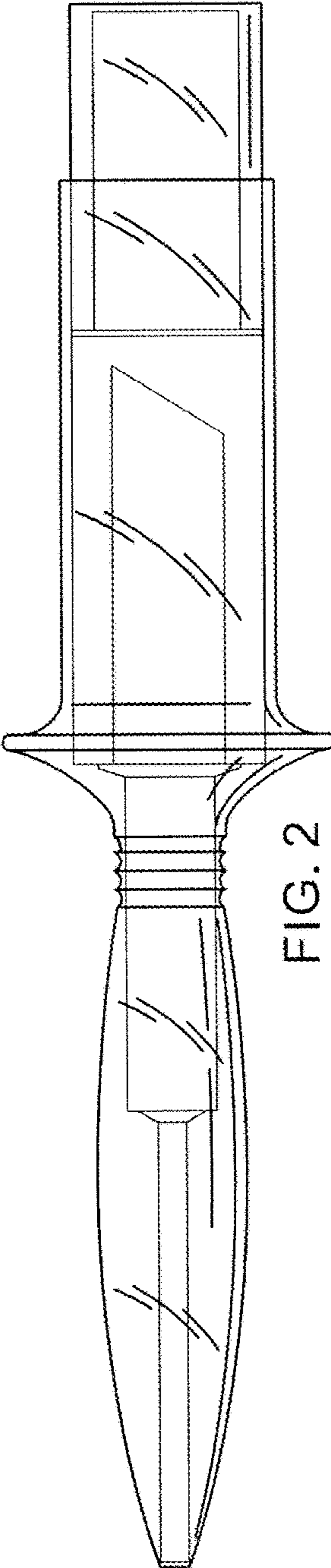


FIG. 2

