



US00D778169S

(12) **United States Design Patent** (10) **Patent No.:** **US D778,169 S**
Billen (45) **Date of Patent:** **** Feb. 7, 2017**

- (54) **VEHICLE CARTON**
- (71) Applicant: **Kid Stuff Marketing, Inc.**, Topeka, KS (US)
- (72) Inventor: **William D. Billen**, Topeka, KS (US)
- (73) Assignee: **Kid Stuff Marketing, Inc.**, Topeka, KS (US)

4,661,082 A	4/1987	Sheffer
4,804,133 A	2/1989	Kiyokane
5,454,508 A	10/1995	Billen
5,622,256 A	4/1997	Tesar
D547,396 S	7/2007	Yaguchi
7,317,573 B2	1/2008	Billen
7,487,903 B2	2/2009	Billen
7,654,441 B2	2/2010	Billen
8,511,537 B2	8/2013	Billen
8,783,548 B2	7/2014	Billen

(**) Term: **14 Years**

OTHER PUBLICATIONS

- (21) Appl. No.: **29/524,792**
- (22) Filed: **Apr. 23, 2015**
- (51) **LOC (10) Cl.** **09-01**
- (52) **U.S. Cl.**
USPC **D9/675; D21/551**
- (58) **Field of Classification Search**
USPC D3/270, 271.1–271.4; D7/514–520, 599, D7/604, 613, 619.2, 623, 628; D9/600, D9/572–577, 414, 418, 430–434; 206/457, 459.5, 527; 215/387–388, 215/381–384, 400; 229/150, 153, 116.4; 220/890; D21/551
CPC B65D 5/4258; B65D 81/60; B65D 81/365; B65D 81/366; B65D 81/368; B65D 2203/00; B65D 2203/02; A63H 33/16
See application file for complete search history.

Ruby's Diner Children's Meal Packaging, dated Oct. 23, 2007. <http://www.slideshare.net/purdy/2007-qsrfdpi-foodservice-packaging-awards>.*

Ruby's Diner Classic Cruisers, 1957 Chevy Custom Hot Rod. <http://pedersendesignillustration.blogspot.com/2014/09/rubys-diner-classic-cruisers-variety.html>.*

* cited by examiner

Primary Examiner — Sandra Morris
(74) *Attorney, Agent, or Firm* — Erickson Kernell IP, LLC

(57) **CLAIM**

The ornamental design for a vehicle carton, as shown and described.

DESCRIPTION

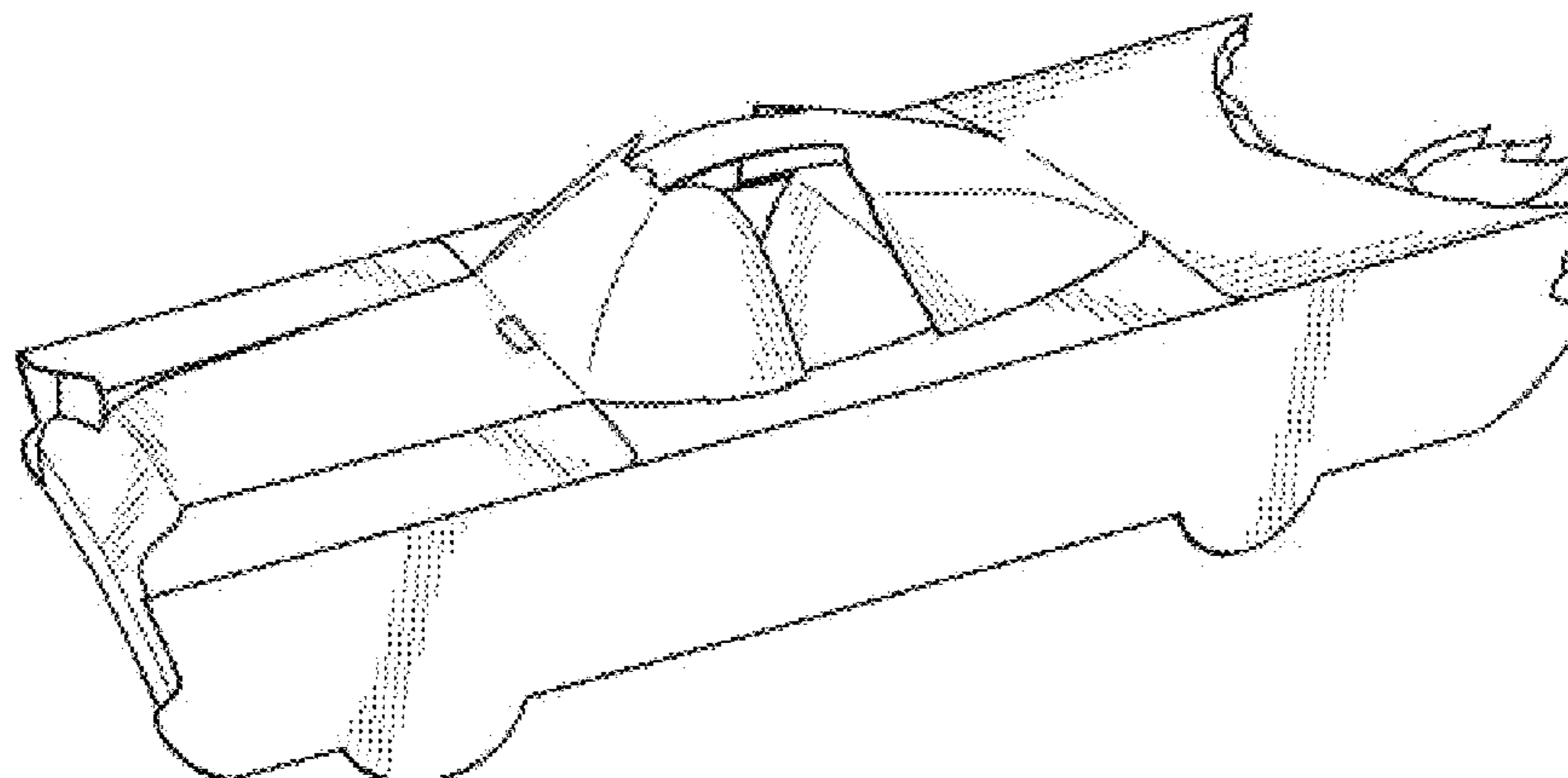
FIG. 1 is a flat unfolded view of an ornamental design for a vehicle carton;
FIG. 2 is an assembled top view thereof;
FIG. 3 is an assembled bottom view thereof;
FIG. 4 is an assembled side view thereof;
FIG. 5 is an assembled front end view thereof; and
FIG. 6 is an assembled rear end view thereof; and,
FIG. 7 is a perspective view thereof.
The broken lines in FIG. 1 are fold lines illustrated in the other figures as solid lines when folded.

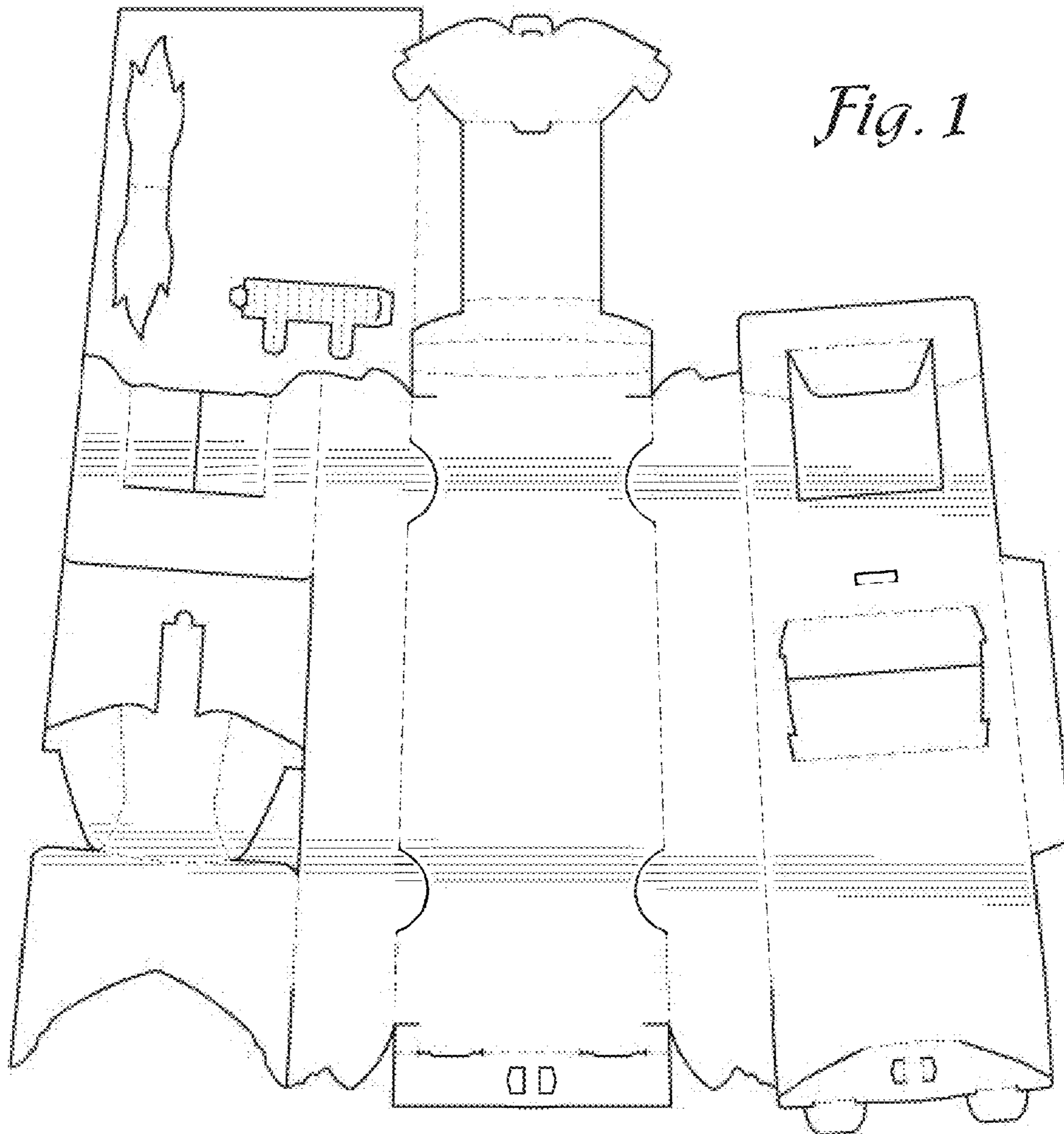
1 Claim, 3 Drawing Sheets

(56) **References Cited**

U.S. PATENT DOCUMENTS

979,812 A	12/1910	Warren	
1,330,654 A	2/1920	Alexander	
1,547,176 A	7/1925	Lazaron	
1,553,793 A	9/1925	Rozowsky	
2,118,821 A	5/1938	Ringler	
D172,877 S *	8/1954	Handler et al.	D21/551
2,823,844 A	2/1958	Frankenstein	
3,224,660 A	12/1965	Willis	
4,055,250 A	10/1977	Mayhew	
4,643,349 A	2/1987	Sheffer	
4,646,959 A	3/1987	Sheffer	





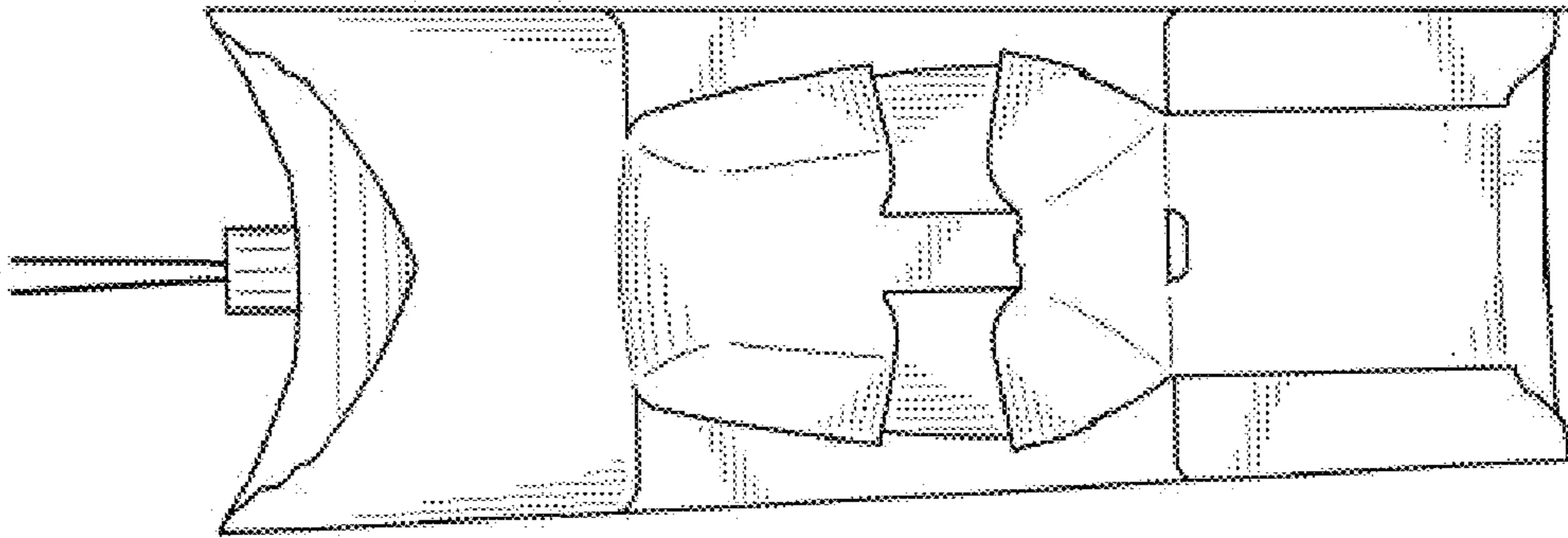


Fig. 2

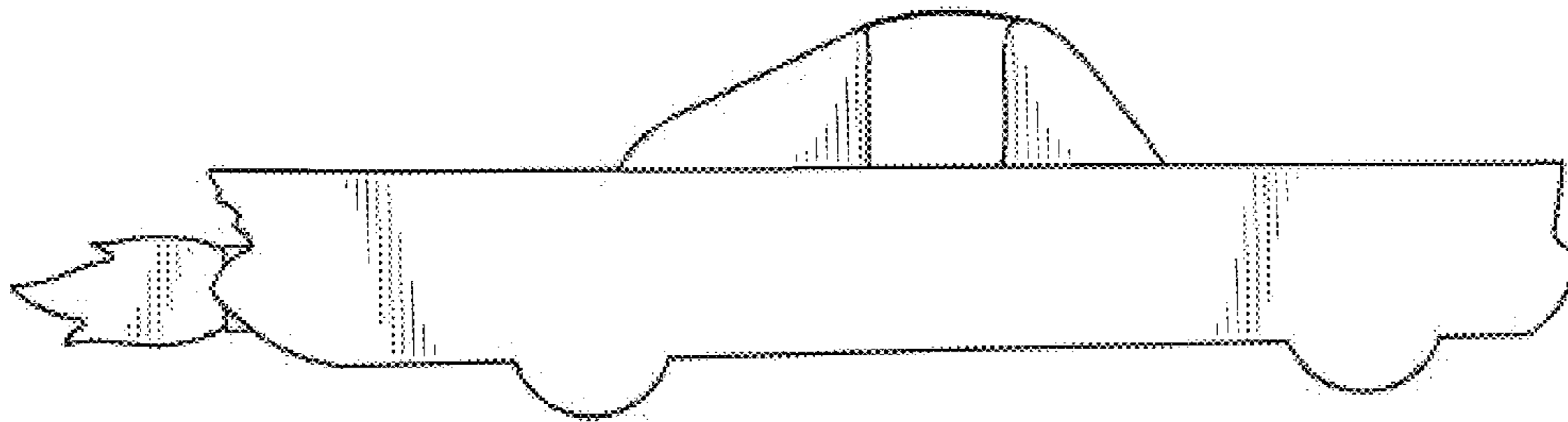


Fig. 3

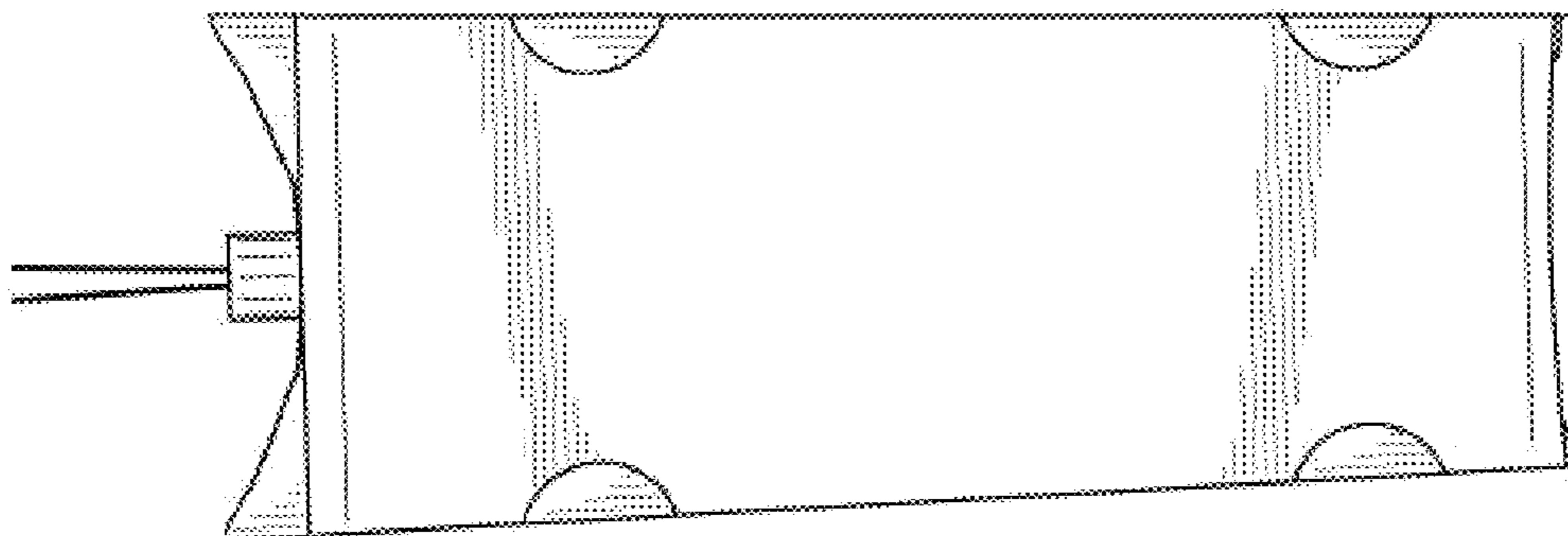


Fig. 4

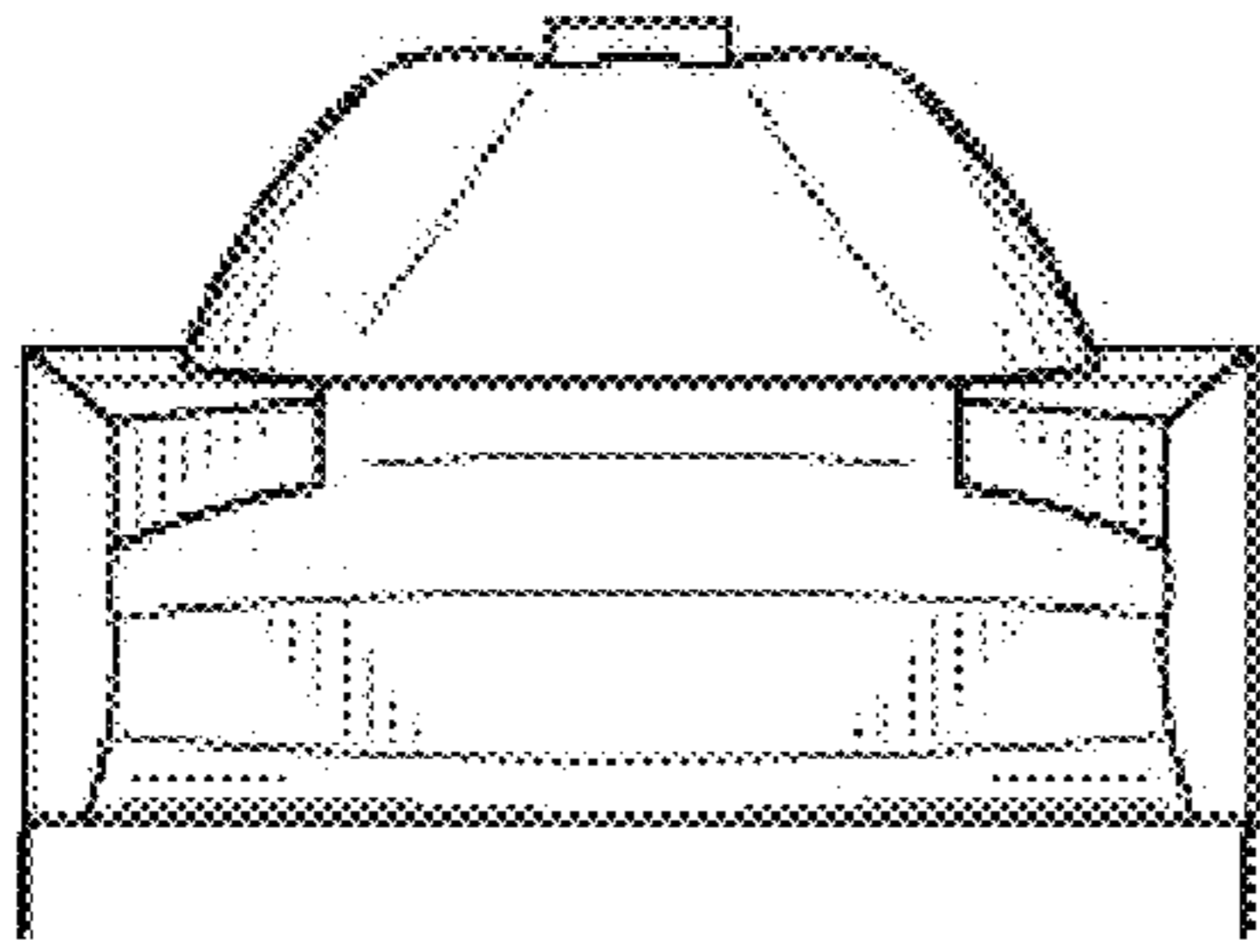


Fig. 5

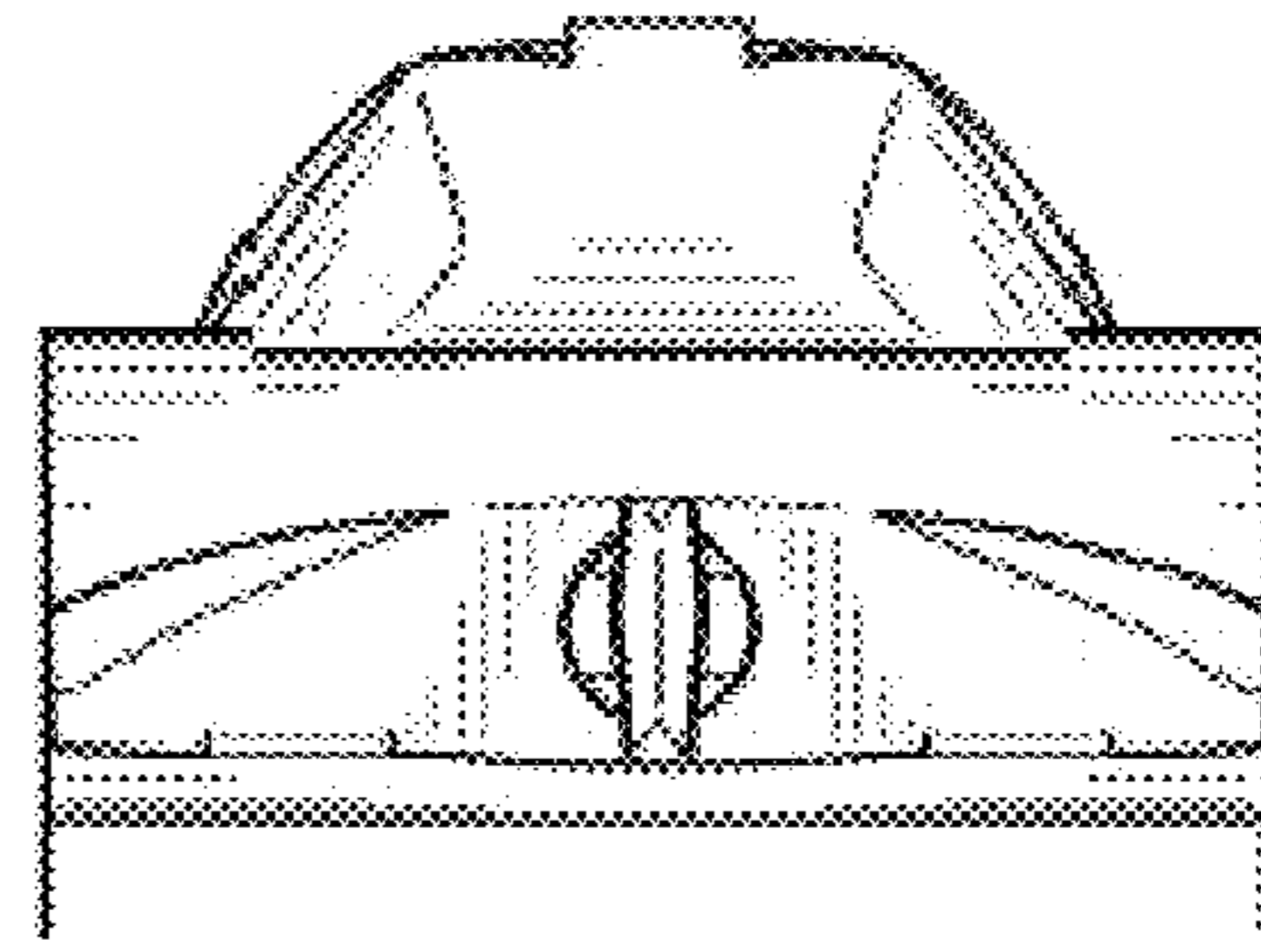


Fig. 6

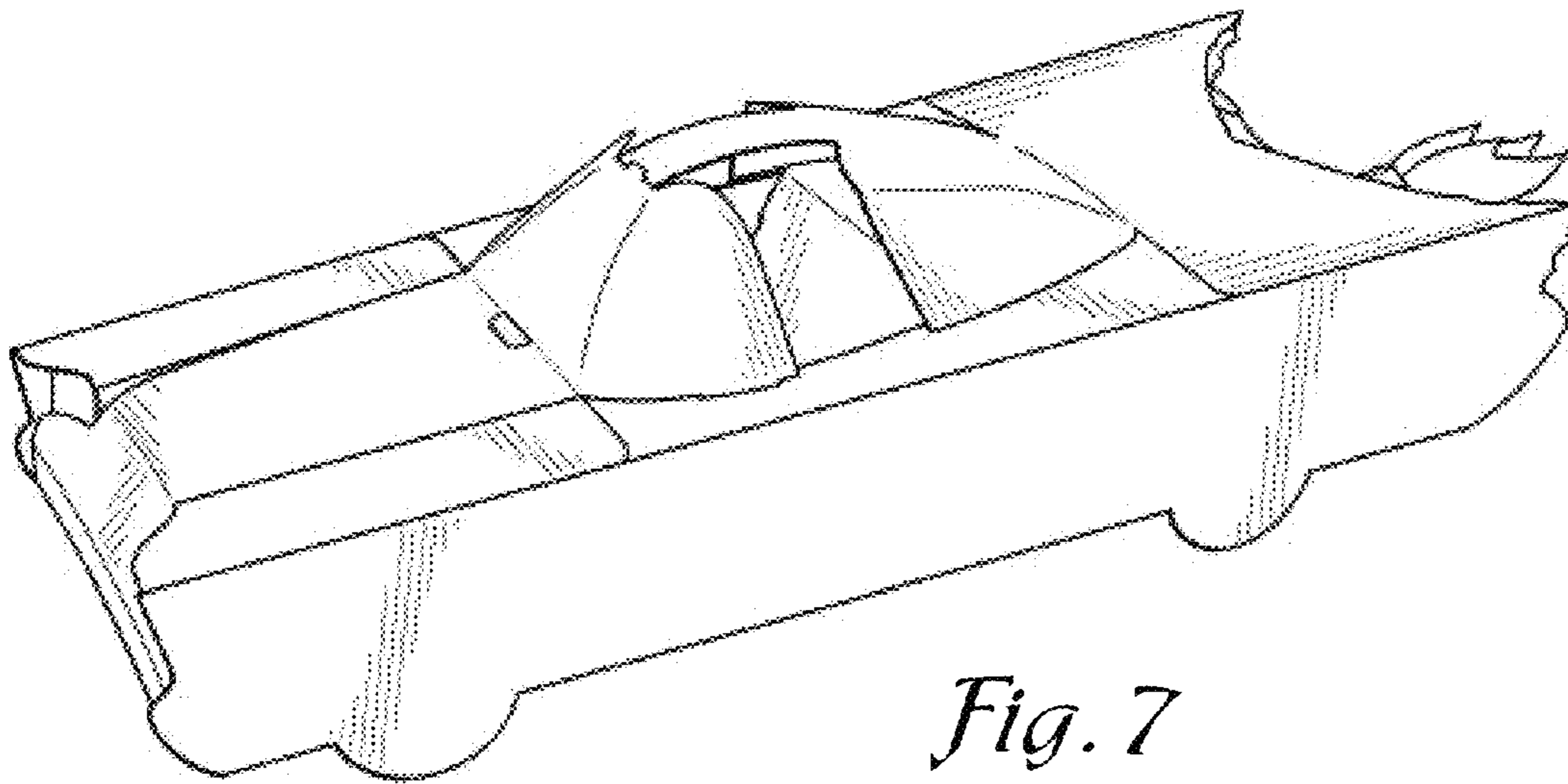


Fig. 7