



US00D778164S

(12) **United States Design Patent** (10) **Patent No.:** **US D778,164 S**  
**Vaughn-Batiz** (45) **Date of Patent:** **\*\* Feb. 7, 2017**

(54) **BOTTLE WITH CAP**

(71) Applicant: **Scentsible, LLC**, Addison, TX (US)

(72) Inventor: **Suzanne Vaughn-Batiz**, Addison, TX (US)

(73) Assignee: **SCENTSIBLE LLC**, Addison, TX (US)

(\*\*) Term: **14 Years**

(21) Appl. No.: **29/513,299**

(22) Filed: **Dec. 30, 2014**

(51) **LOC (10) Cl.** ..... **09-01**

(52) **U.S. Cl.**  
USPC ..... **D9/529**; D9/548; D9/574

(58) **Field of Classification Search**  
USPC ..... D9/434, 435, 436, 445, 448, 454, 516,  
D9/529, 530, 544, 546, 548, 559, 560,  
D9/563, 574, 682, 686, 688, 690, 715,  
D9/719; D3/203.1, 203.2

(Continued)

(56) **References Cited**

**U.S. PATENT DOCUMENTS**

4,170,316 A \* 10/1979 LaBarbera ..... B29C 45/4421  
220/799

D254,838 S 4/1980 Agnone et al.

(Continued)

*Primary Examiner* — Ian Simmons

*Assistant Examiner* — Keith Frank

(74) *Attorney, Agent, or Firm* — Daniel J. Chalker;  
Chalker Flores, LLP

(57) **CLAIM**

The ornamental design for a bottle with cap, as shown and described.

**DESCRIPTION**

FIG. 1 is a perspective view of a first illustrative embodiment of the bottle with cap;

FIG. 2 is a front view of the bottle in FIG. 1;

FIG. 3 is a rear view of the bottle in FIGS. 1-2;

FIG. 4 is a left side view of the bottle in FIGS. 1-3;

FIG. 5 is a right view of the bottle in FIGS. 1-4;

FIG. 6 is a top view of the bottle in FIGS. 1-5;

FIG. 7 is a bottom view of the bottle in FIGS. 1-6;

FIG. 8 is a perspective view of a second illustrative embodiment of the bottle with cap;

FIG. 9 is a front view of the bottle in FIG. 8;

FIG. 10 is a rear view of the bottle in FIGS. 8-9;

FIG. 11 is a left side view of the bottle in FIGS. 8-10;

FIG. 12 is a right view of the bottle in FIGS. 8-11;

FIG. 13 is a top view of the bottle in FIGS. 8-12;

FIG. 14 is a bottom view of the bottle in FIGS. 8-13;

FIG. 15 is a perspective view of a third illustrative embodiment of the bottle with cap;

FIG. 16 is a front view of the bottle in FIG. 15;

FIG. 17 is a rear view of the bottle in FIGS. 15-16;

FIG. 18 is a left side view of the bottle in FIGS. 15-17;

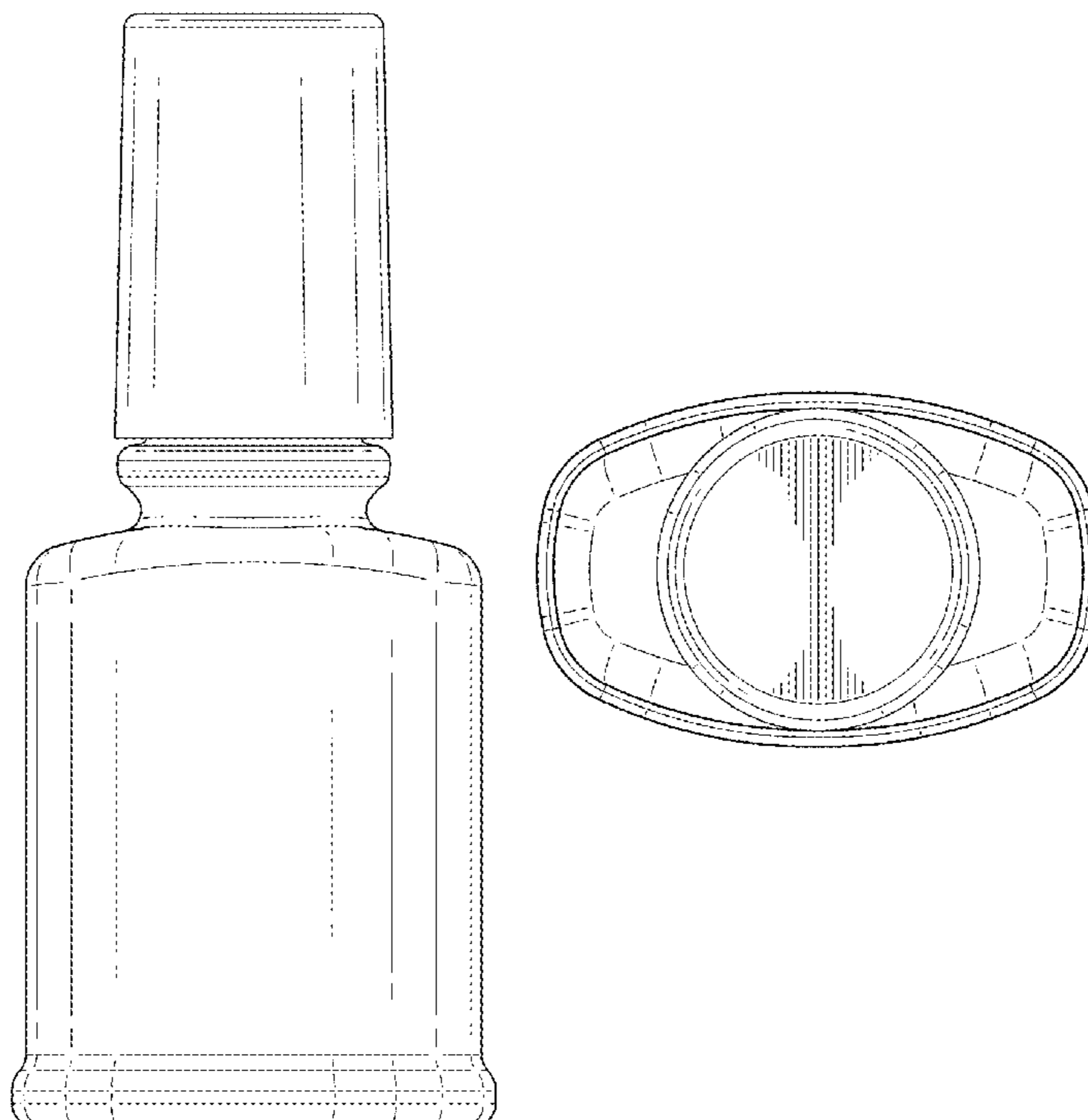
FIG. 19 is a right view of the bottle in FIGS. 15-18;

FIG. 20 is a top view of the bottle in FIGS. 15-19; and,

FIG. 21 is a bottom view of the bottle in FIGS. 15-20.

The broken lines in the drawings illustrate the portions of the bottle with cap that form no part of the claimed design.

**1 Claim, 14 Drawing Sheets**



(58) **Field of Classification Search**

CPC ..... B65D 1/00; B65D 1/02; B65D 1/023;  
B65D 1/0223; B65D 1/0276

See application file for complete search history.

(56) **References Cited**

U.S. PATENT DOCUMENTS

D316,034 S \* 4/1991 DeGaetano ..... D4/116  
D317,118 S \* 5/1991 Crawford ..... D9/529  
D346,112 S \* 4/1994 Alcindor ..... D9/726  
6,315,140 B1 \* 11/2001 Nadel ..... A45D 40/265  
215/228  
D476,901 S \* 7/2003 Crawford ..... D9/557  
D480,647 S \* 10/2003 Crawford ..... D9/502  
D498,146 S \* 11/2004 Densky ..... D9/571  
D505,330 S \* 5/2005 Wolpert ..... D23/366  
D505,624 S \* 5/2005 Helps ..... D9/529  
D518,730 S \* 4/2006 Caserta ..... D23/366  
D539,150 S \* 3/2007 Leoncavallo ..... D9/454  
D542,662 S \* 5/2007 Caserta ..... D9/453  
D591,159 S \* 4/2009 Pagliaro ..... D9/529  
D591,169 S \* 4/2009 Otsuka ..... D9/724  
D624,823 S 10/2010 Brown  
D635,464 S \* 4/2011 Kuzma ..... D9/563  
D643,742 S \* 8/2011 Weng ..... D9/682  
D656,824 S \* 4/2012 Haile ..... D9/503  
D700,517 S 3/2014 Oommen et al.  
D703,538 S 4/2014 Paredes et al.  
D735,040 S \* 7/2015 Dadon ..... D9/522  
D741,603 S \* 10/2015 Mehta ..... D4/116  
D756,779 S \* 5/2016 Kang ..... D9/454  
D758,877 S \* 6/2016 Vaughn-Batiz ..... D9/682

\* cited by examiner

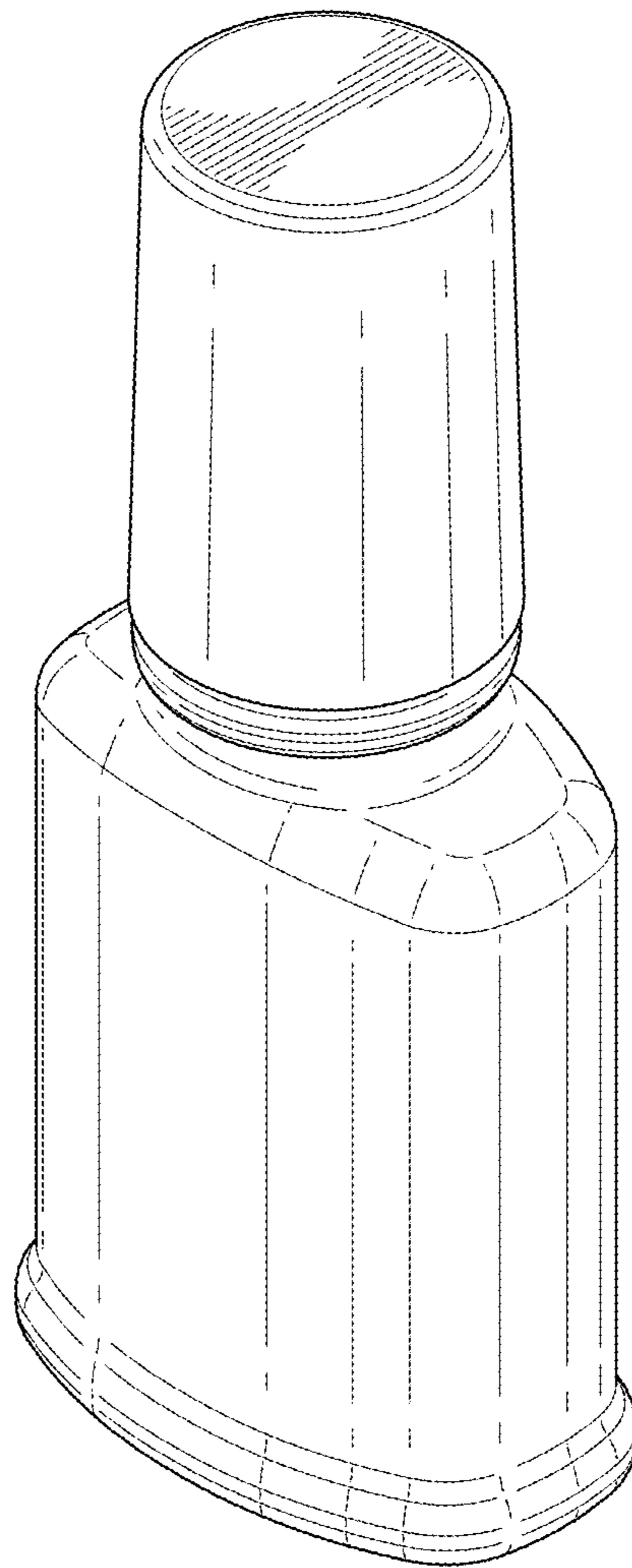


FIG. 1

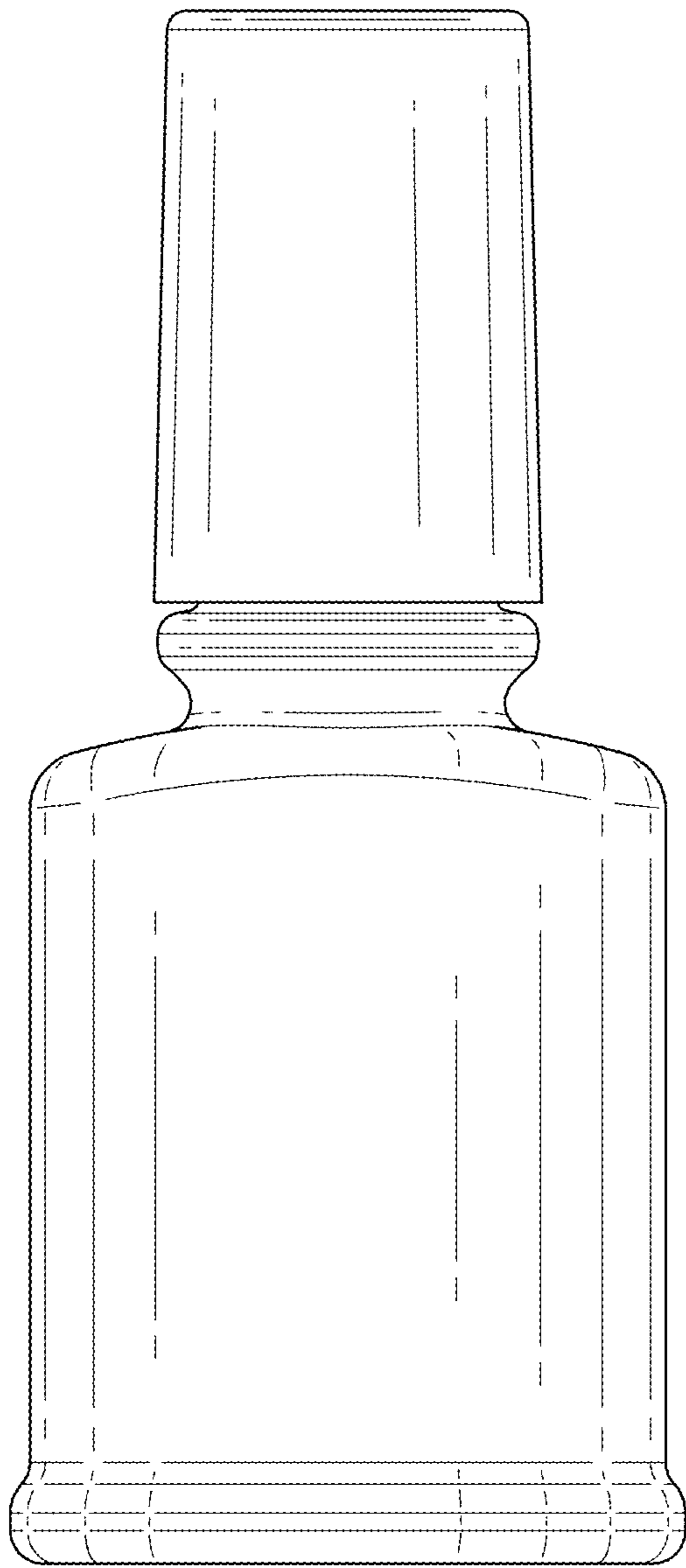


FIG. 2

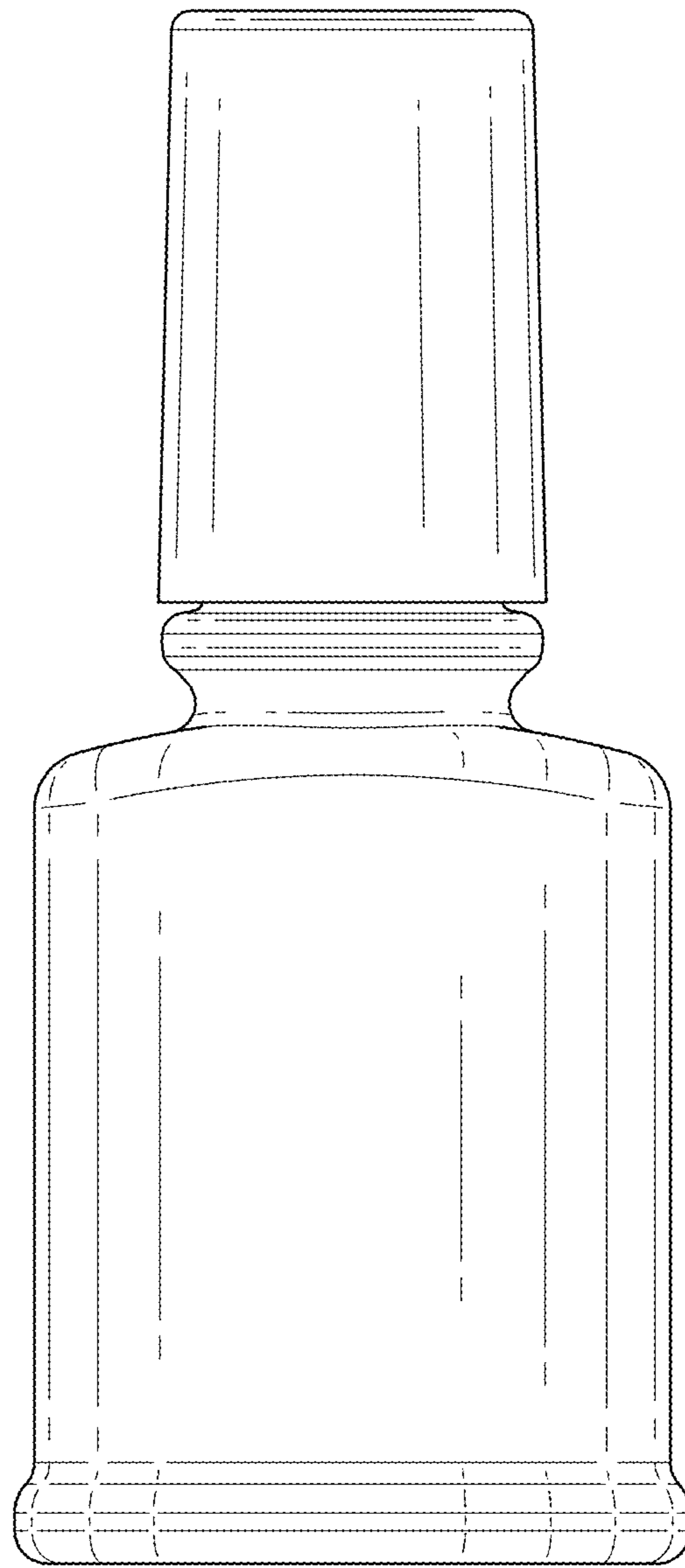


FIG. 3

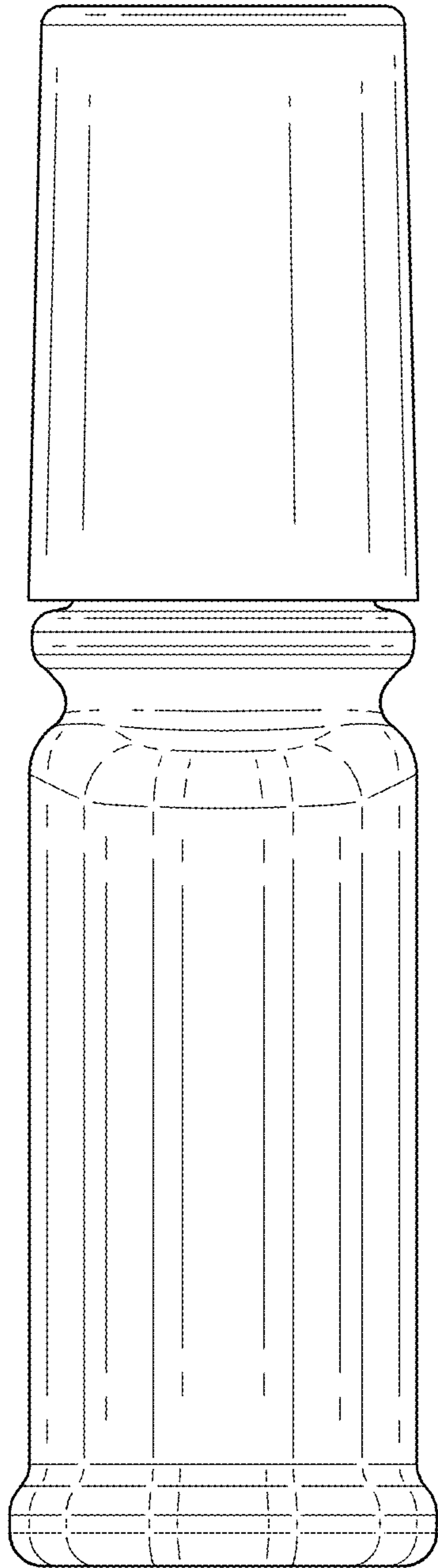


FIG. 4

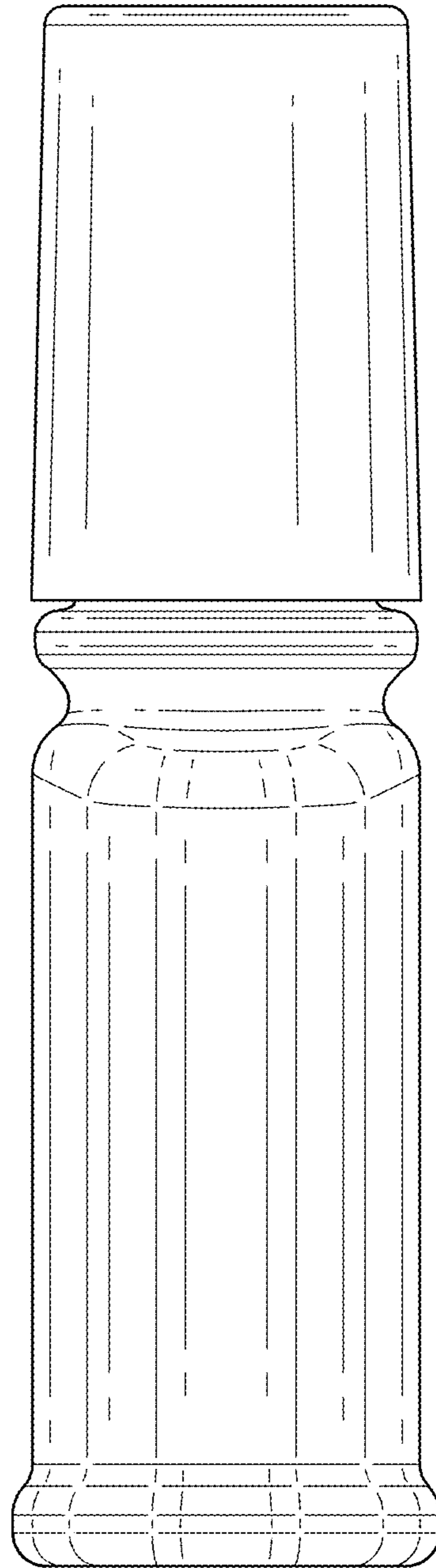


FIG. 5



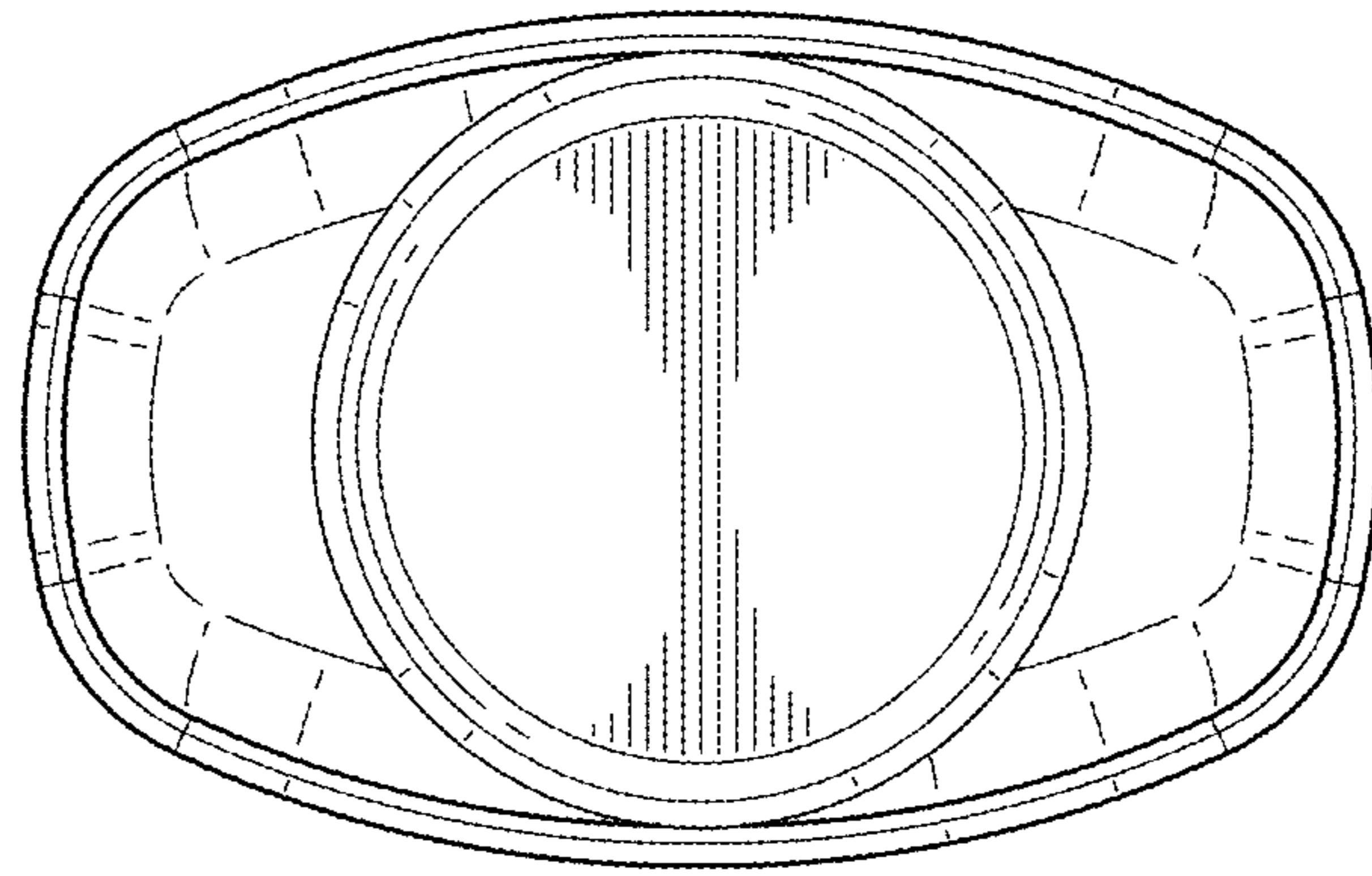


FIG. 6

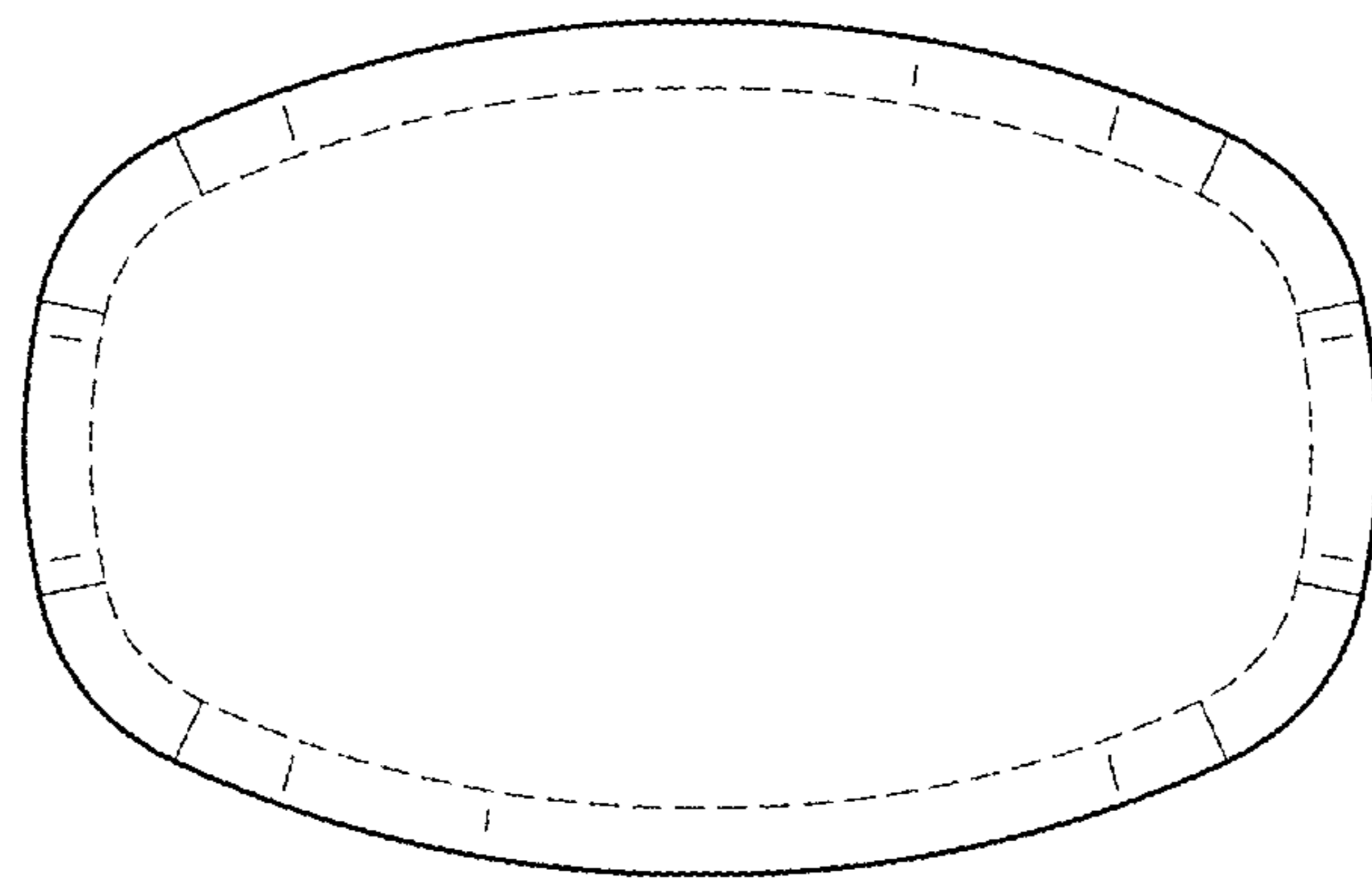


FIG. 7

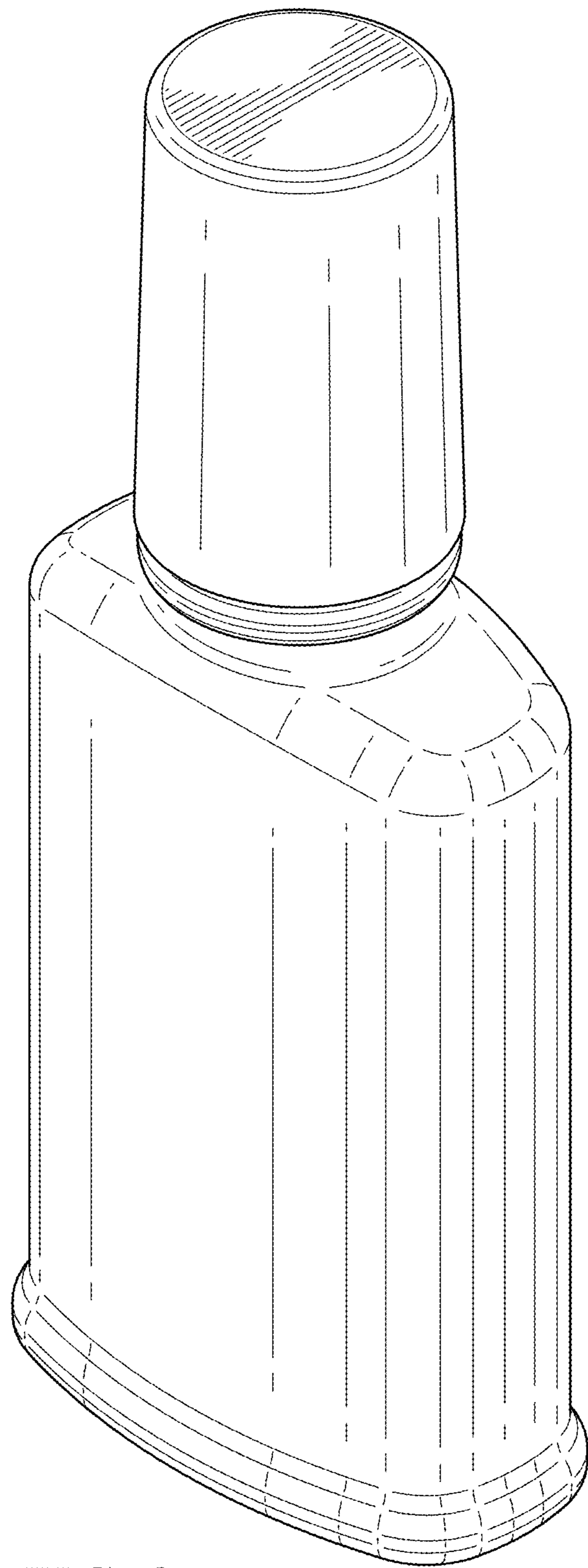


FIG. 8

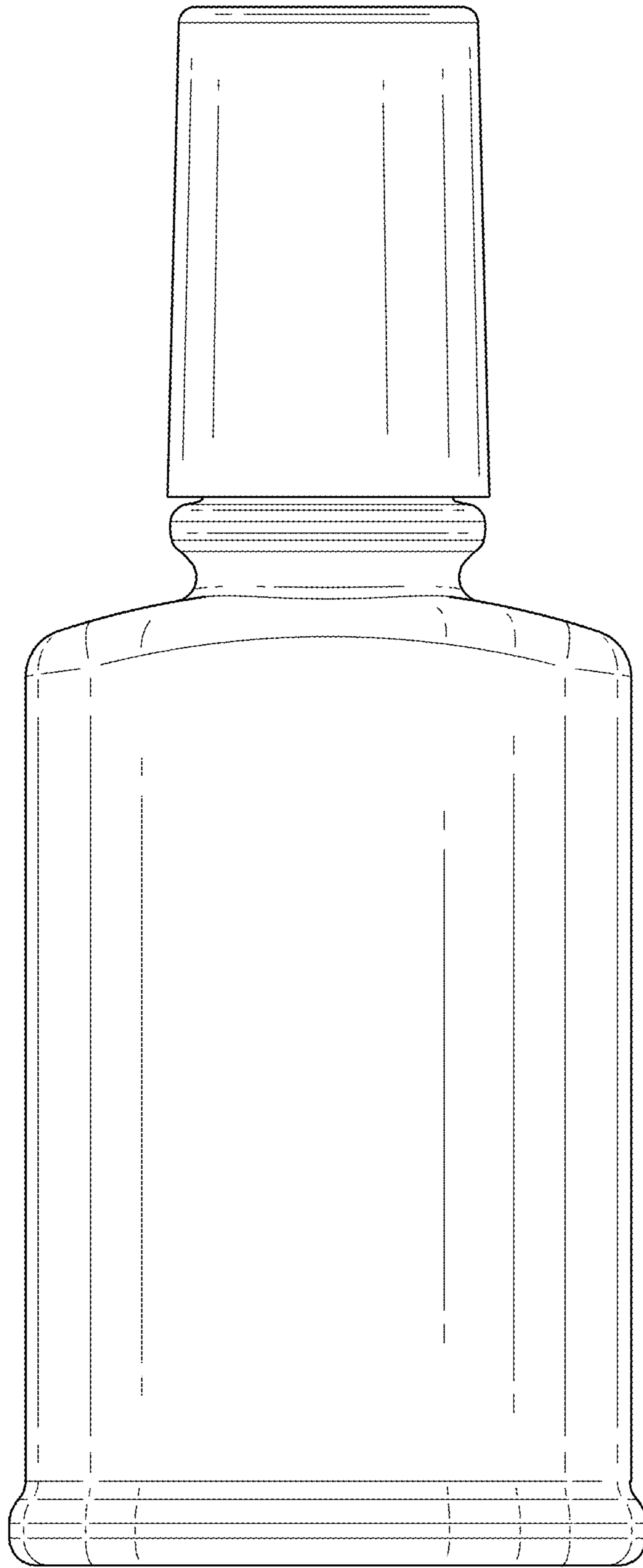


FIG. 9



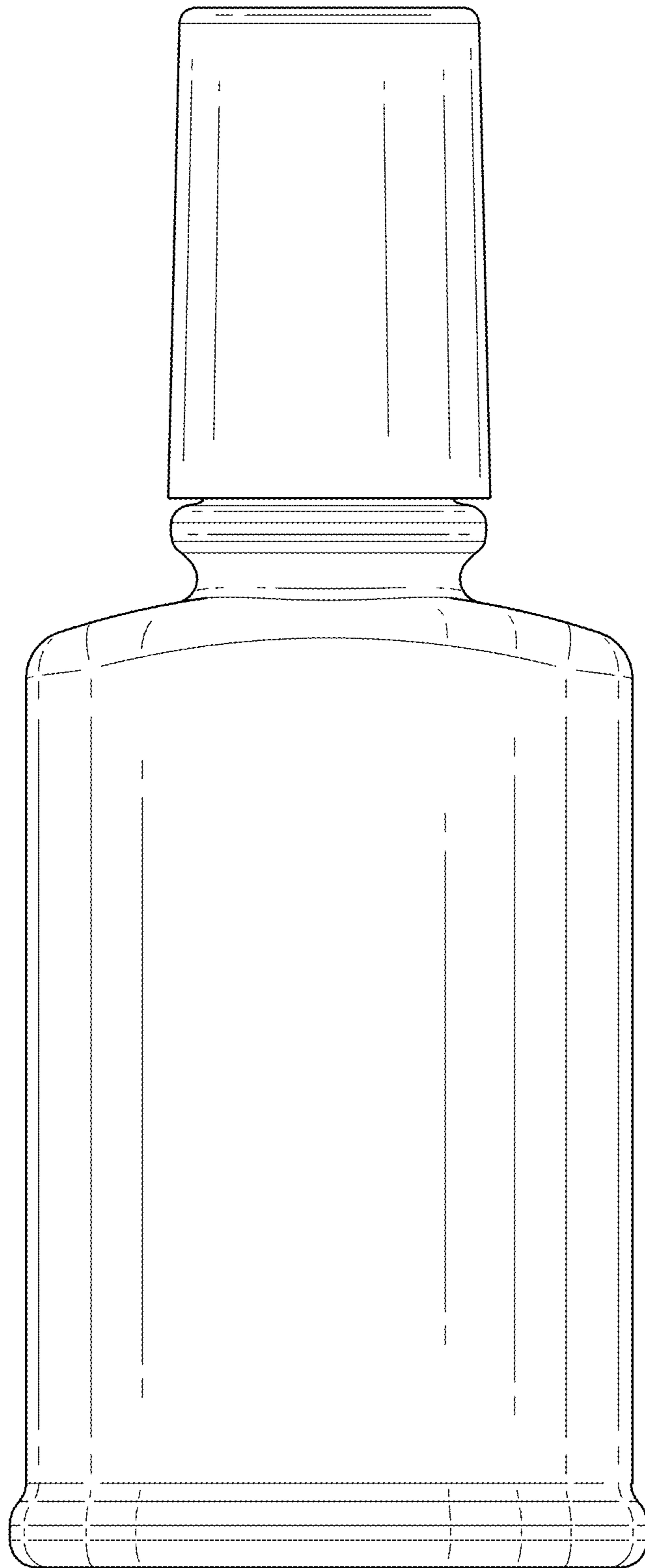


FIG. 10

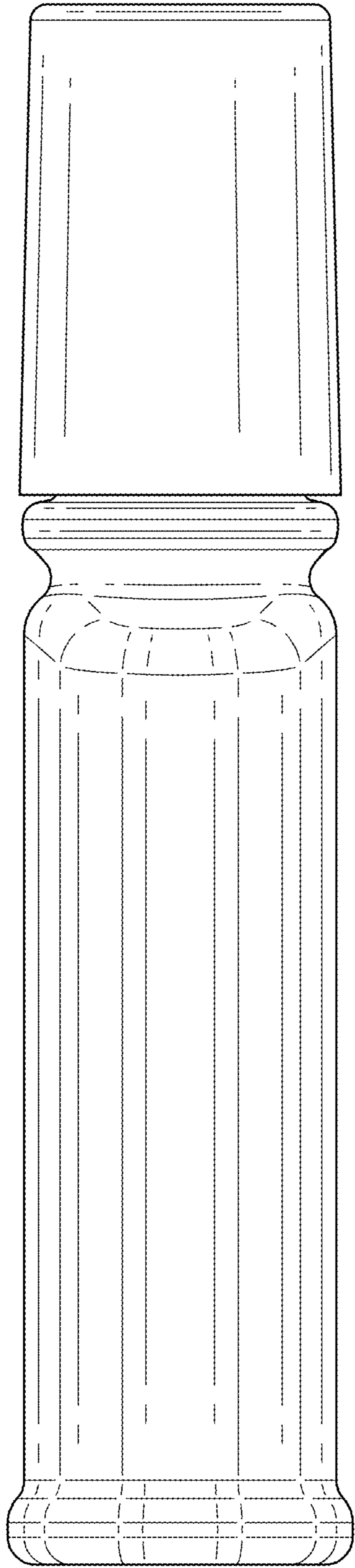


FIG. 11

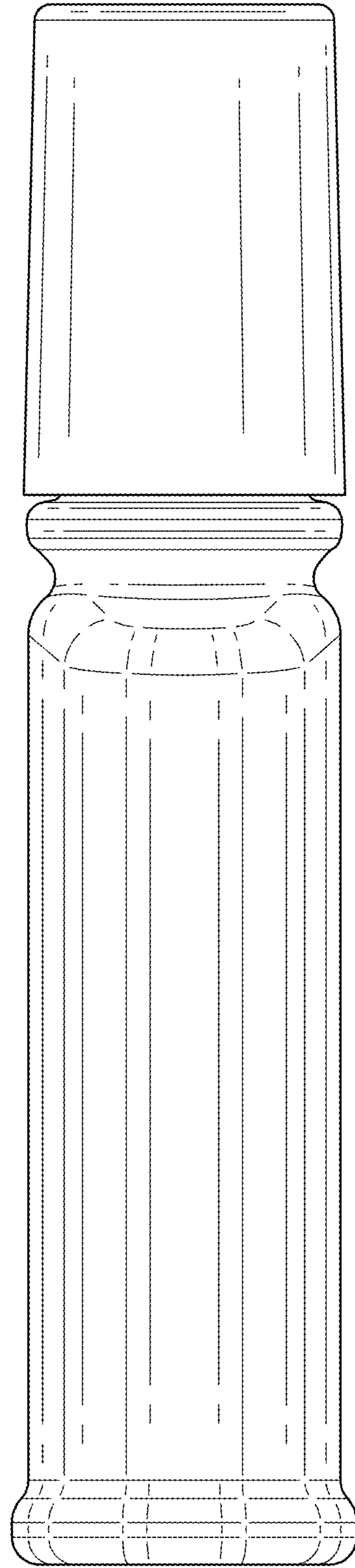


FIG. 12

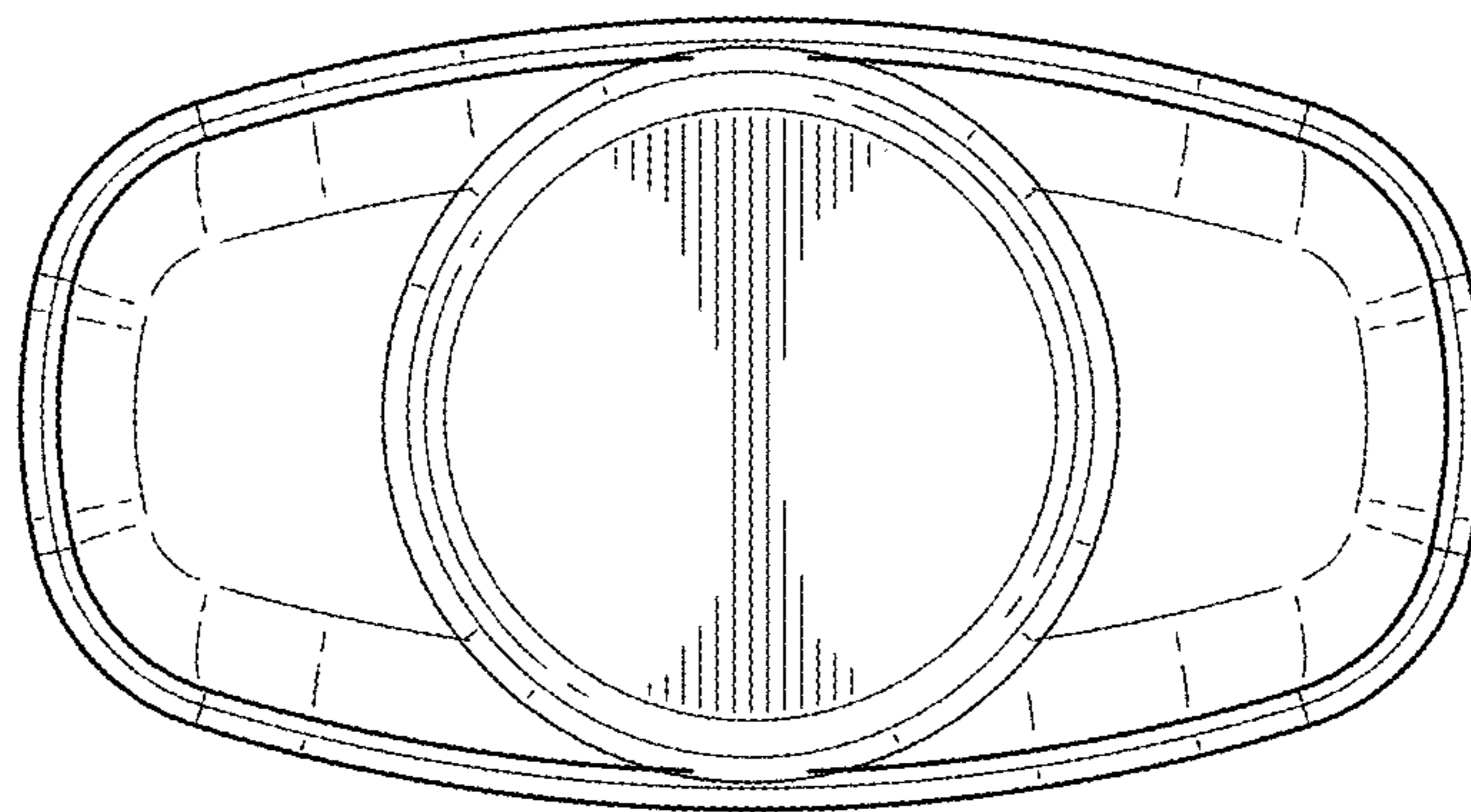


FIG. 13

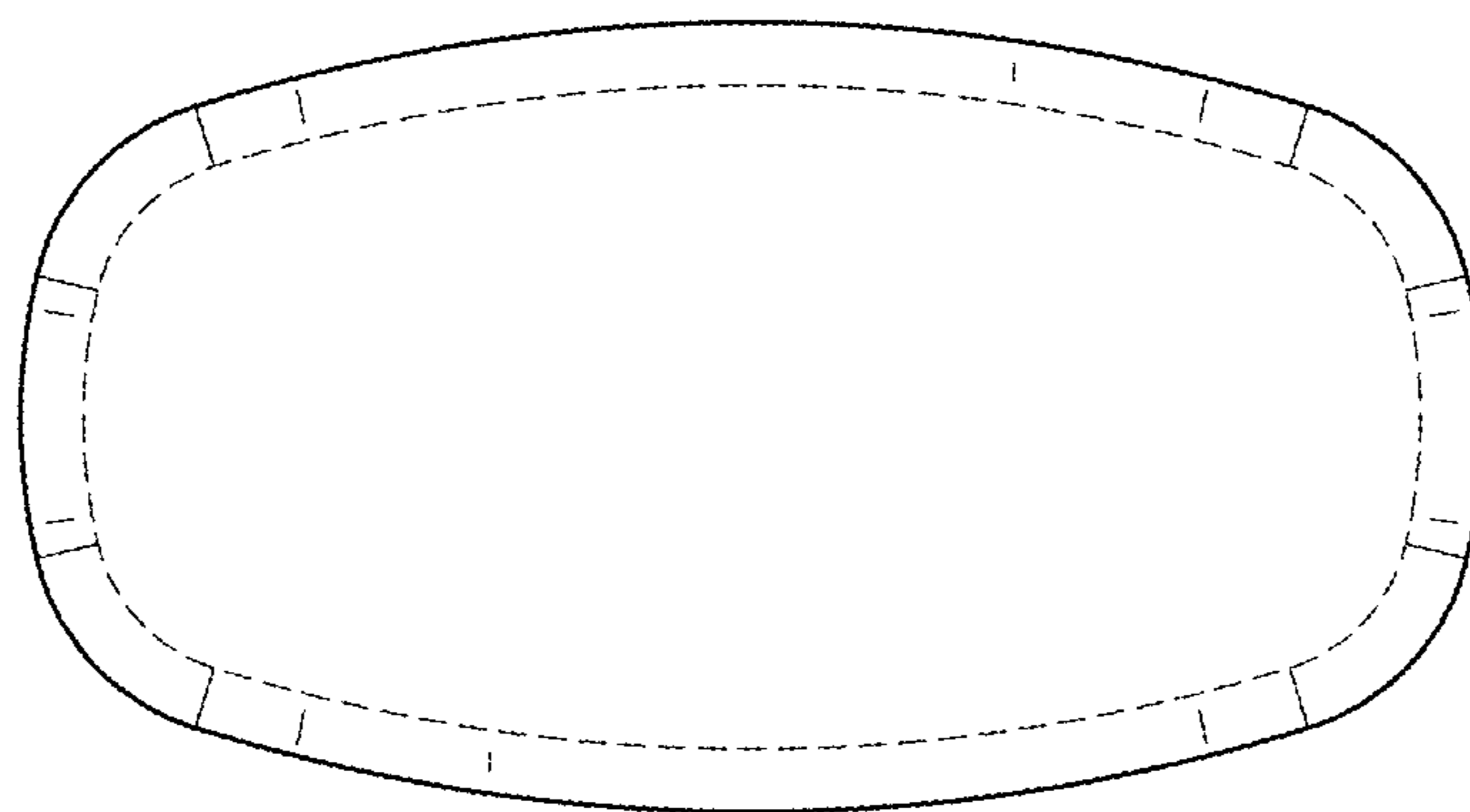


FIG. 14

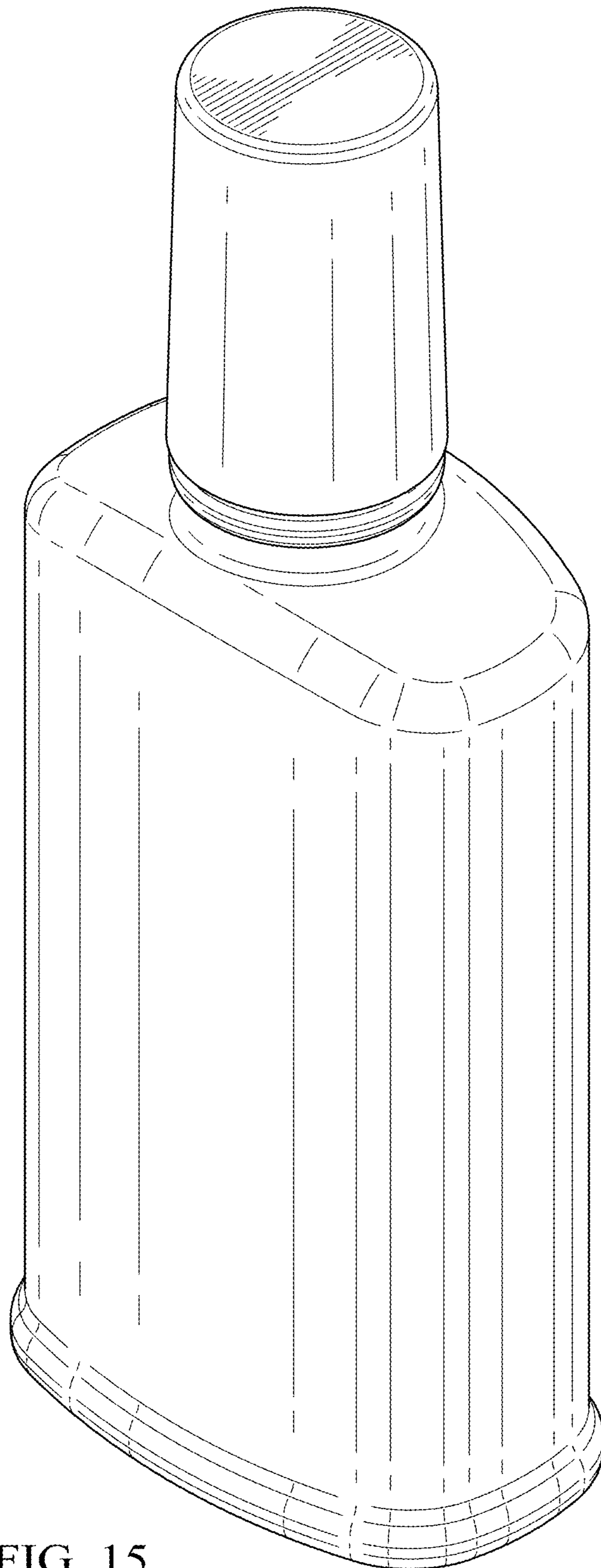


FIG. 15

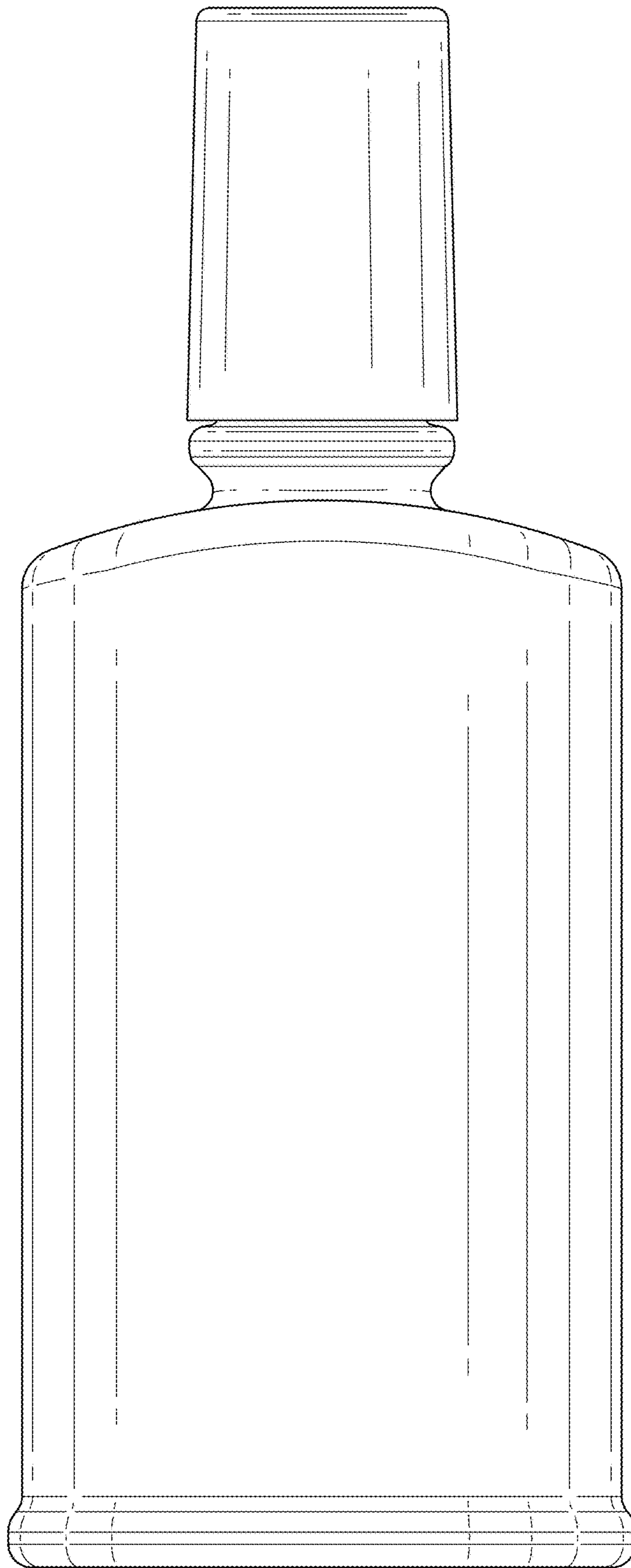


FIG. 16

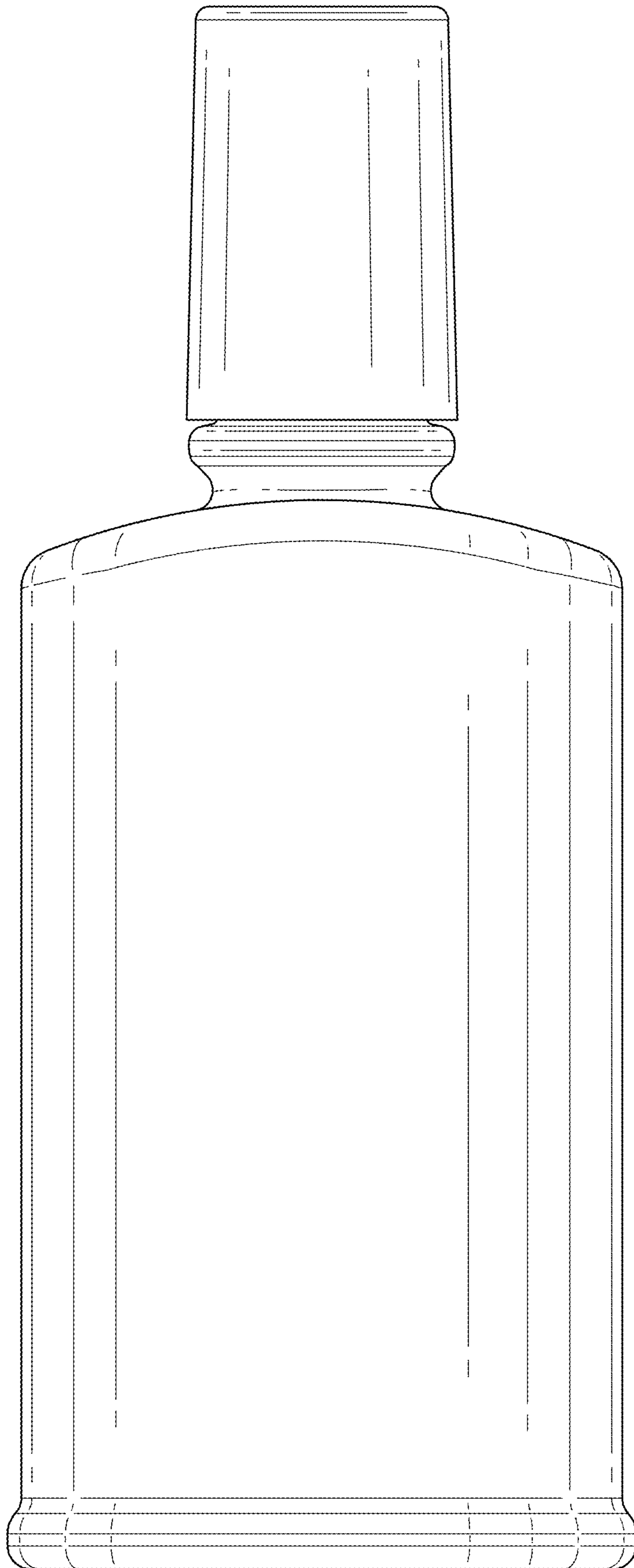


FIG. 17



FIG. 18

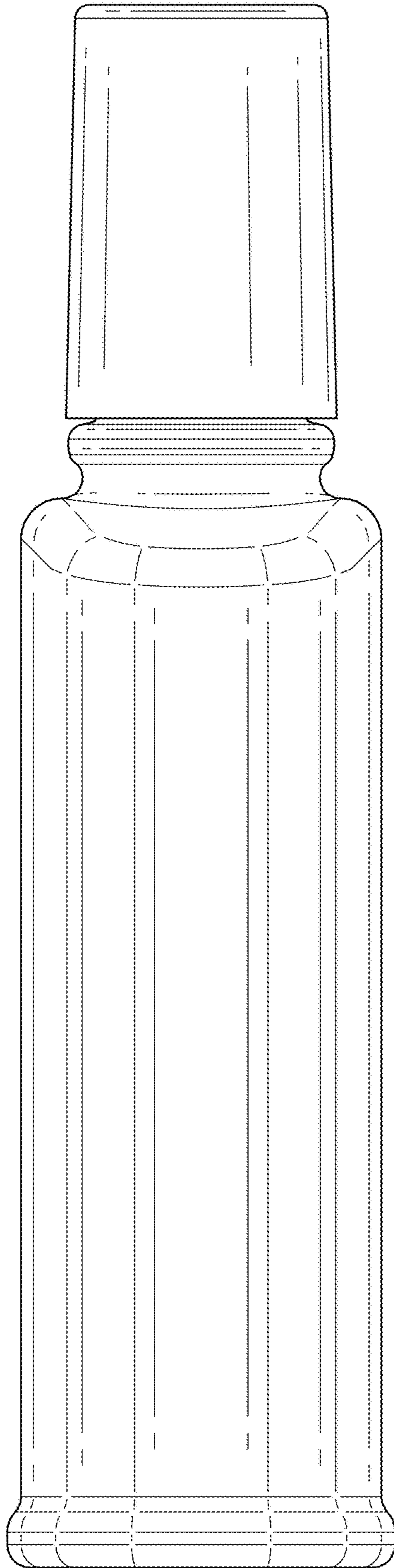
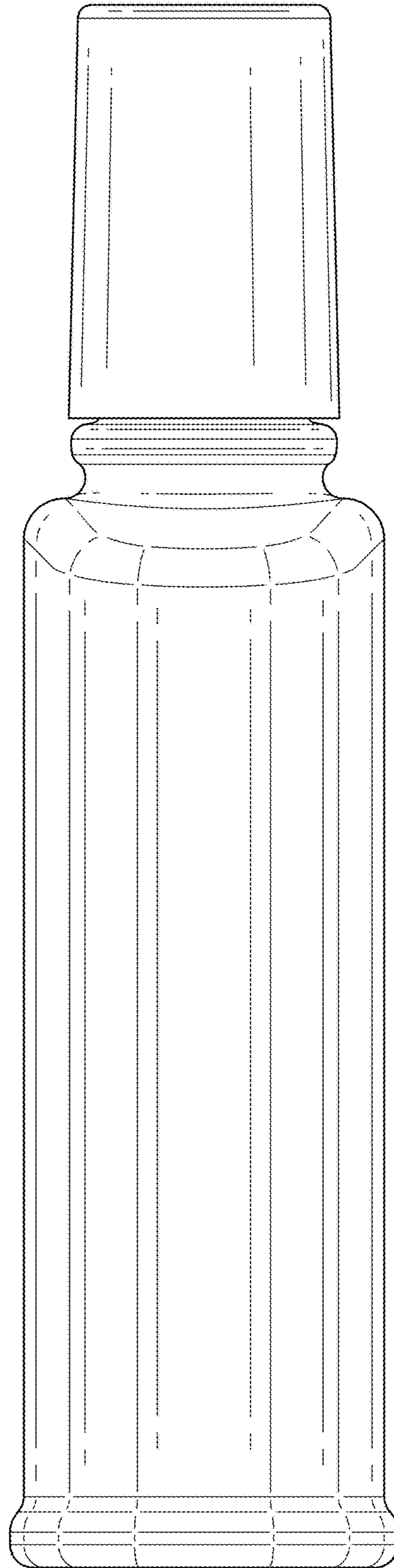


FIG. 19



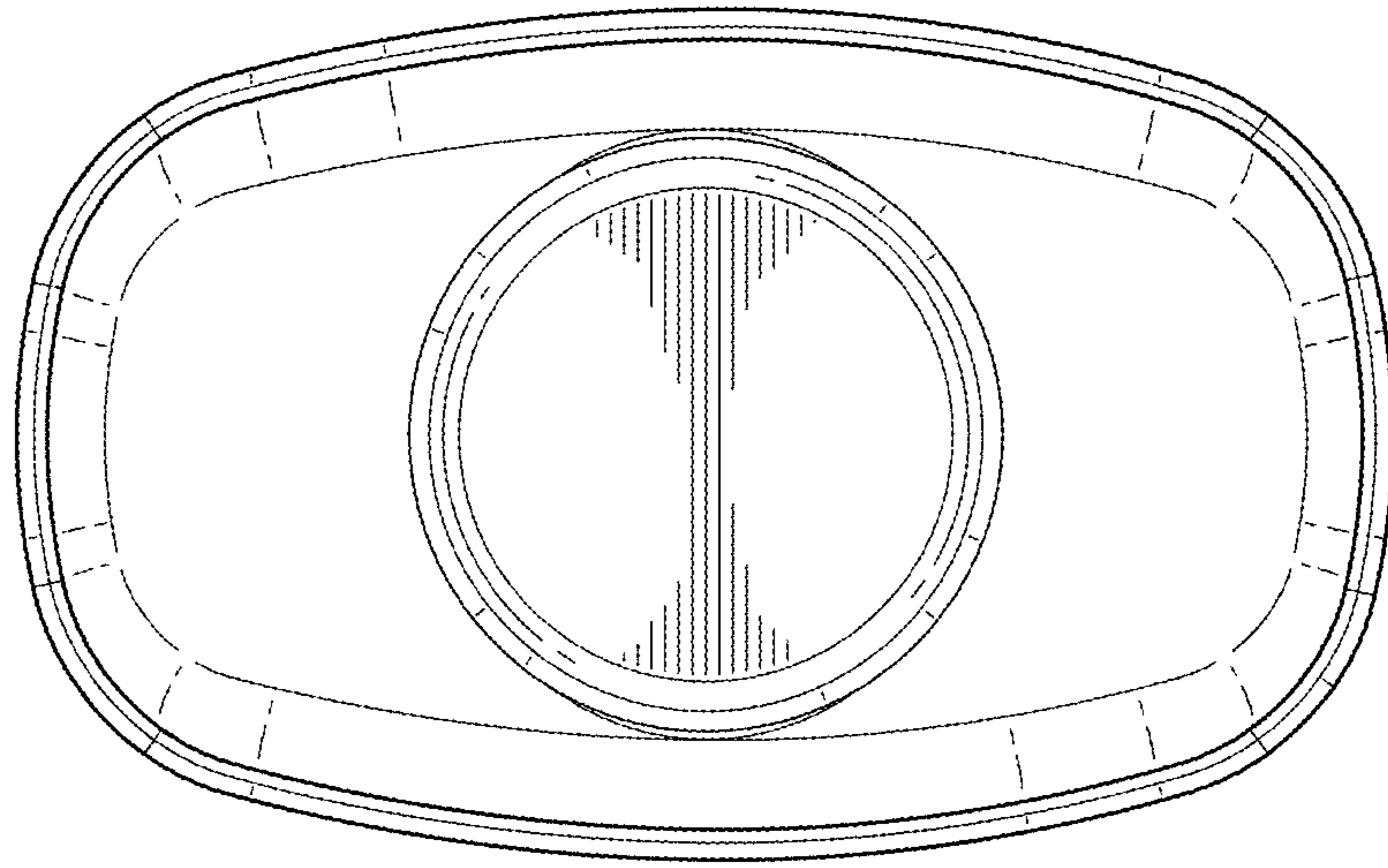


FIG. 20

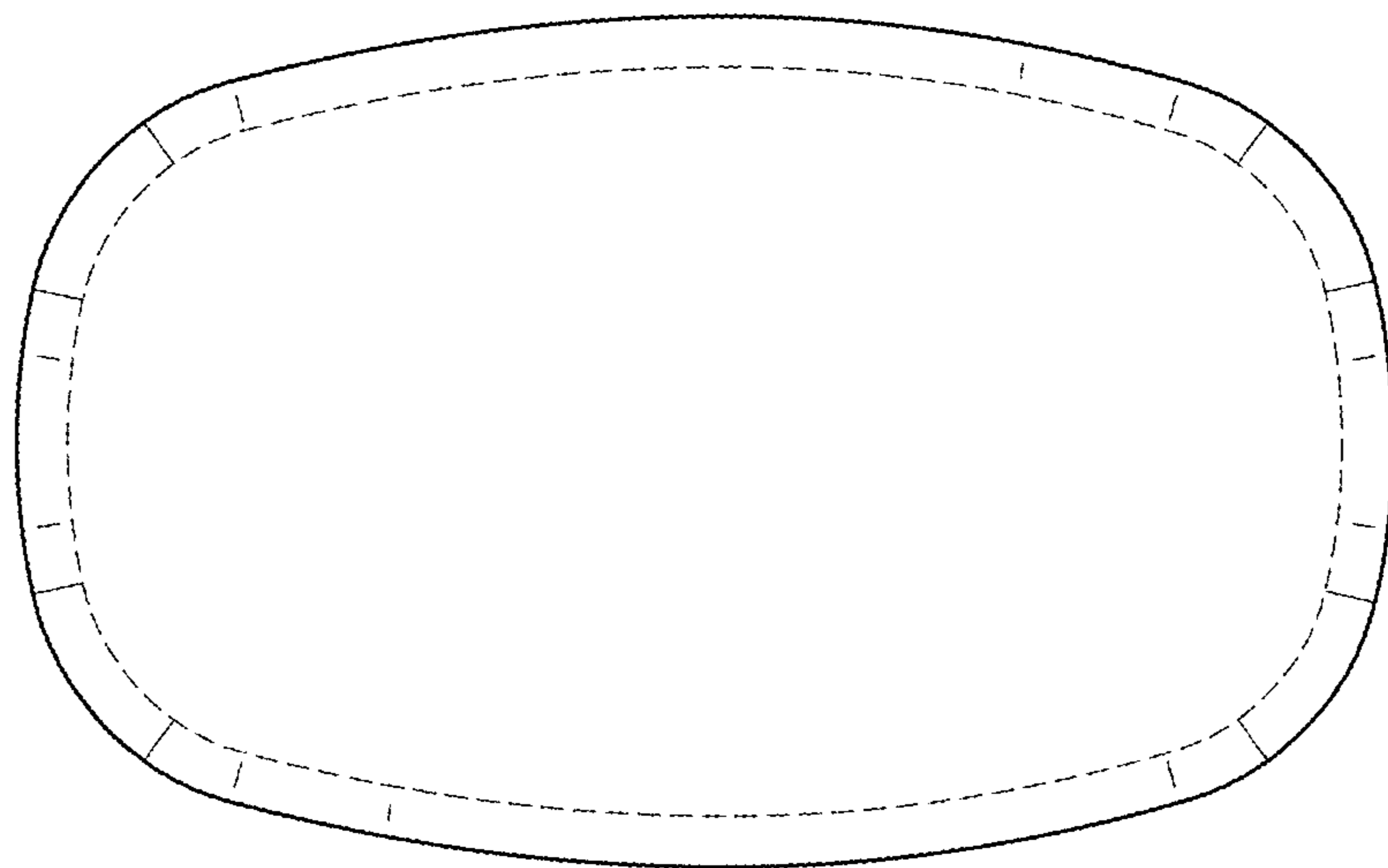


FIG. 21