



US00D778163S

(12) **United States Design Patent**
Dilley et al.

(10) **Patent No.:** **US D778,163 S**
(45) **Date of Patent:** **** Feb. 7, 2017**

(54) **CONTAINER**

(71) Applicant: **Prestone Products Corporation**, Lake Forest, IL (US)

(72) Inventors: **Colin Dilley**, Thomaston, CT (US);
Kathleen Villa, Meriden, CT (US);
Russell Wright, Oxford, CT (US)

(73) Assignee: **Prestone Products Corporation**, Danbury, CT (US)

(**) Term: **14 Years**

(21) Appl. No.: **29/498,601**

(22) Filed: **Aug. 5, 2014**

Related U.S. Application Data

(62) Division of application No. 29/411,603, filed on Jan. 24, 2012, now Pat. No. Des. 726,019.

(51) **LOC (10) Cl.** **09-01**

(52) **U.S. Cl.**
USPC **D9/523**; D9/543; D9/547; D9/563;
D9/564; D9/570; D9/571; D9/575

(58) **Field of Classification Search**

USPC D9/516, 523, 541-543, 550, 552, 563,
D9/565, 571-575, 682-694; 215/379,
215/381-382, 384; 220/660, 662, 669
See application file for complete search history.

(56) **References Cited**

U.S. PATENT DOCUMENTS

D94,546 S 2/1935 Gibson
D111,031 S 8/1938 Rzadkowolski
D117,500 S 11/1939 Parker
D125,616 S 3/1941 Fuerst
D194,132 S 11/1962 Countryman
D194,559 S 2/1963 Rolley et al.

D205,967 S * 10/1966 Platte D9/523
D286,982 S 12/1986 Durand
D309,100 S 7/1990 Beaver
D332,914 S 2/1993 Stephens
D337,946 S * 8/1993 Bridger D9/523
D354,230 S * 1/1995 Hoyt D9/569 X
D354,916 S * 1/1995 Park D9/564 X
D373,956 S * 9/1996 Terwilleger D9/526
D375,255 S 11/1996 Uhl et al.
D385,195 S * 10/1997 Corwin D9/571 X
5,918,753 A * 7/1999 Ogg B65D 1/0223
215/382 X

D412,837 S 8/1999 Blackburn
D413,515 S 9/1999 Skolnicki et al.

(Continued)

OTHER PUBLICATIONS

Office Action issued in U.S. Appl. No. 29/498,599 on May 26, 2016.

Primary Examiner — Carol P Rademaker

(74) *Attorney, Agent, or Firm* — Gregory H. Zayia;
Barnes & Thornburg LLP

(57) **CLAIM**

The ornamental design for a container, as shown and described.

DESCRIPTION

FIG. 1 is a top, front, and left side perspective view of a container of the present invention;

FIG. 2 is a front elevational view thereof, the rear elevational view being a mirror image;

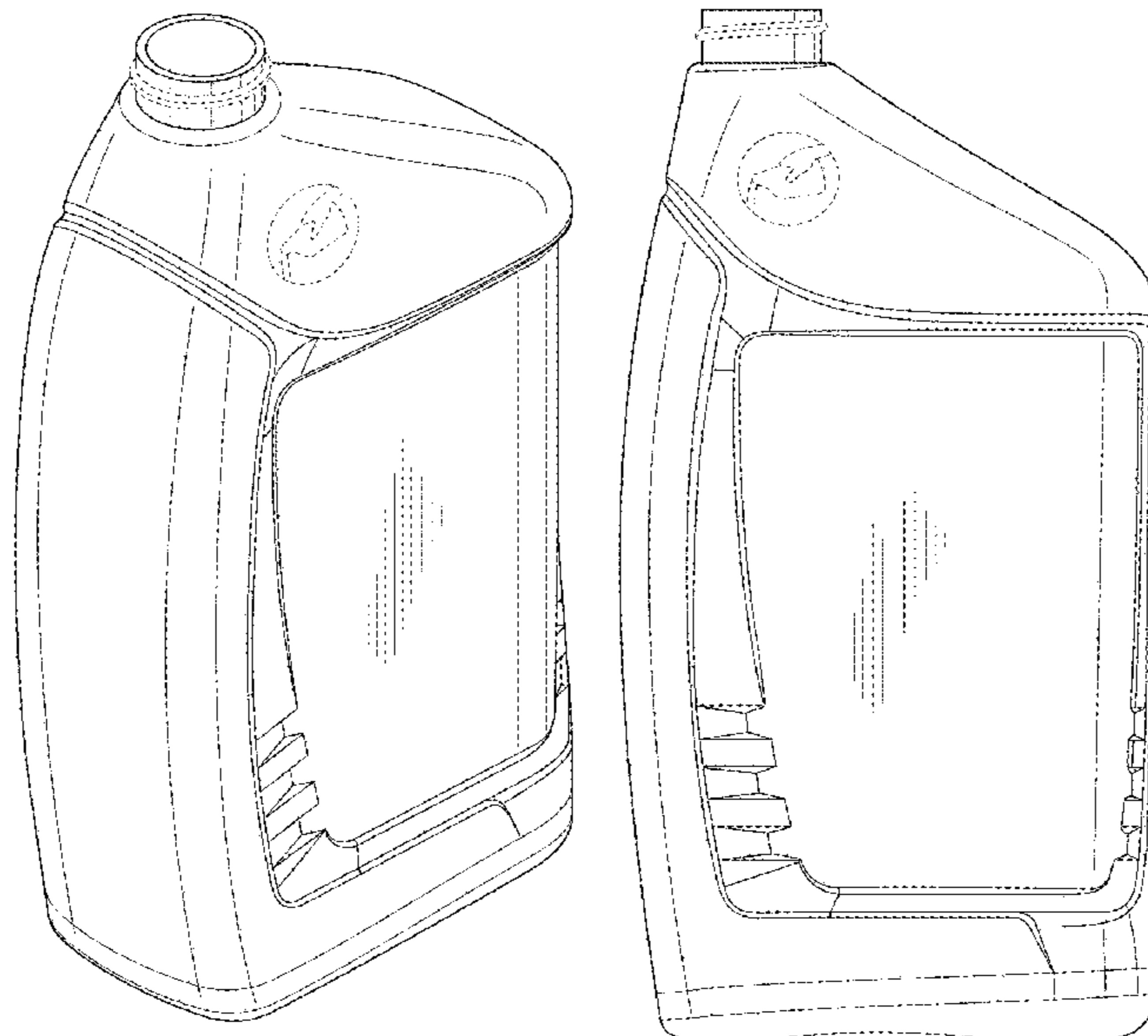
FIG. 3 is a left side elevational view thereof;

FIG. 4 is a right side elevation view thereof; and,

FIG. 5 is a top plan view thereof.

The broken lines shown in the drawings are included for the purpose of illustrating portions of the container that form no part of the claimed design.

1 Claim, 4 Drawing Sheets



(56)

References Cited

U.S. PATENT DOCUMENTS

D420,594 S	2/2000	Weinstein et al.	
6,070,753 A *	6/2000	Hirst	B65D 1/02 220/675 X
D457,055 S	5/2002	Ranchetti	
D475,928 S	6/2003	Ferguson et al.	
D479,803 S	9/2003	Alguire et al.	
D485,186 S *	1/2004	Wiper	D9/575 X
6,739,467 B2 *	5/2004	Saito	B65D 1/0223 215/379
D490,713 S *	6/2004	Ferguson	D9/575 X
D491,809 S	6/2004	Silvers et al.	
D505,078 S	5/2005	Fischer et al.	
D510,870 S	10/2005	Kelly et al.	
6,964,347 B2 *	11/2005	Miura	B29C 49/54 215/383
D523,345 S	6/2006	Kamineni	
D556,579 S	12/2007	Goto et al.	
D558,582 S	1/2008	Venkataraman et al.	
D562,686 S	2/2008	Fukuda	
D565,415 S *	4/2008	Lablaine	D9/531
D571,216 S	6/2008	Christian et al.	
D577,588 S	9/2008	Yourist	
D582,778 S *	12/2008	Burson	D9/570 X
D600,564 S *	9/2009	da Barp	D9/547 X
D601,031 S	9/2009	Martinez et al.	
D613,172 S	4/2010	Masters et al.	
D617,651 S	6/2010	Coppola	
D619,010 S	7/2010	Wasson et al.	
D628,074 S	11/2010	Mero et al.	
D631,360 S	1/2011	Van Westreenen	
D635,029 S *	3/2011	Warren	D9/570 X
D643,723 S	8/2011	Snyder et al.	
D650,283 S	12/2011	Masters et al.	
D651,093 S *	12/2011	Van Rens	D9/543 X
D652,724 S *	1/2012	Snyder	D9/516
D652,726 S *	1/2012	Snyder	D9/516
D653,115 S *	1/2012	Yourist	D9/541 X
D669,786 S *	10/2012	McMillian	D9/523
D673,456 S	1/2013	Masters et al.	
D685,640 S	7/2013	Laurita	
D691,053 S *	10/2013	Garcia	D9/543
D691,894 S	10/2013	Marshall	
D695,119 S	12/2013	Masters et al.	
D696,119 S	12/2013	Evans	
D703,540 S	4/2014	Yourist et al.	
D711,246 S	8/2014	Hanson et al.	
D715,654 S	10/2014	Fitts	
D719,832 S	12/2014	Dilley	
D732,962 S *	6/2015	Hawry	D9/523
D741,714 S	10/2015	Llewellyn	
D747,205 S *	1/2016	Schlott	D9/523
D747,206 S *	1/2016	Welter	D9/523

* cited by examiner

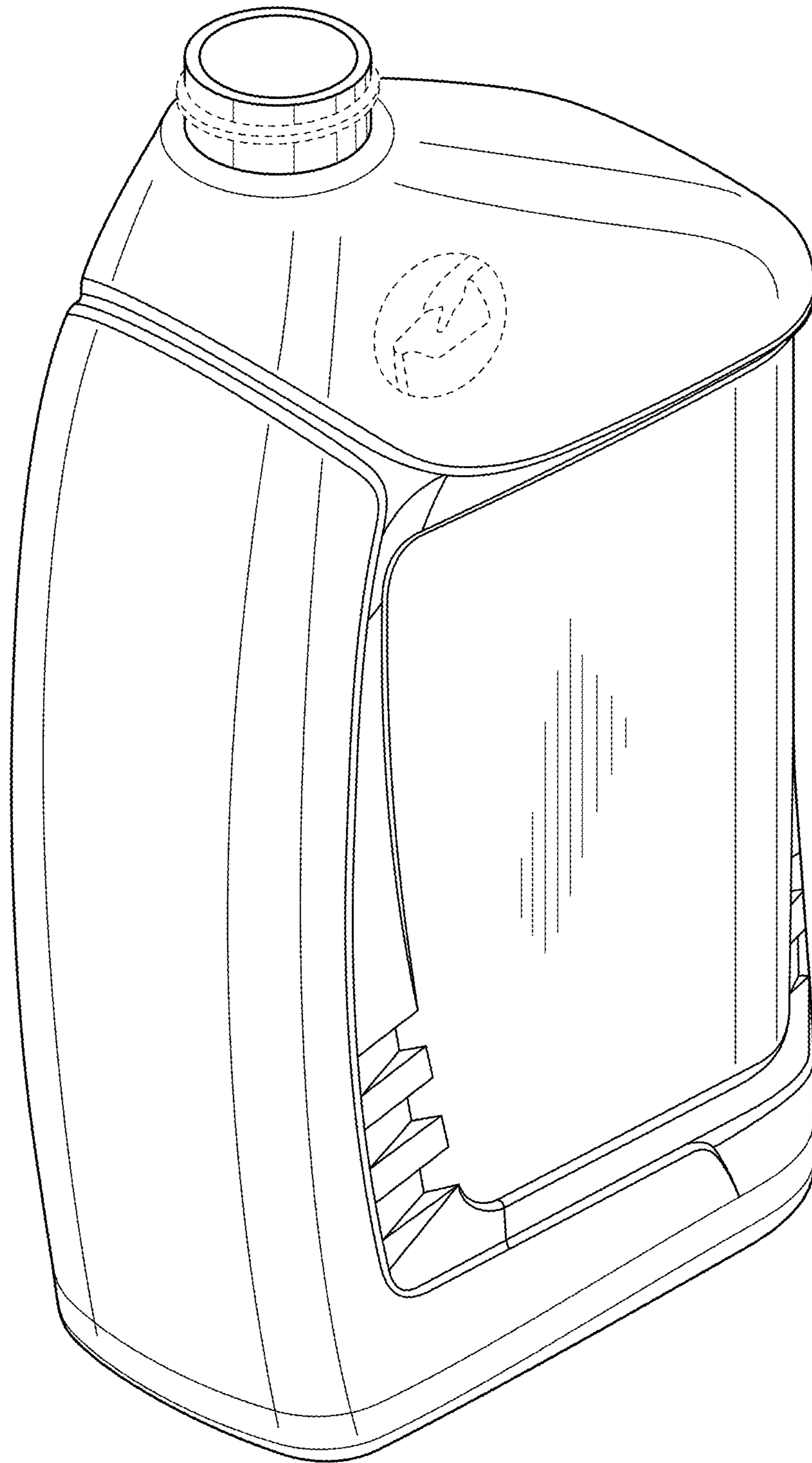


FIG. 1

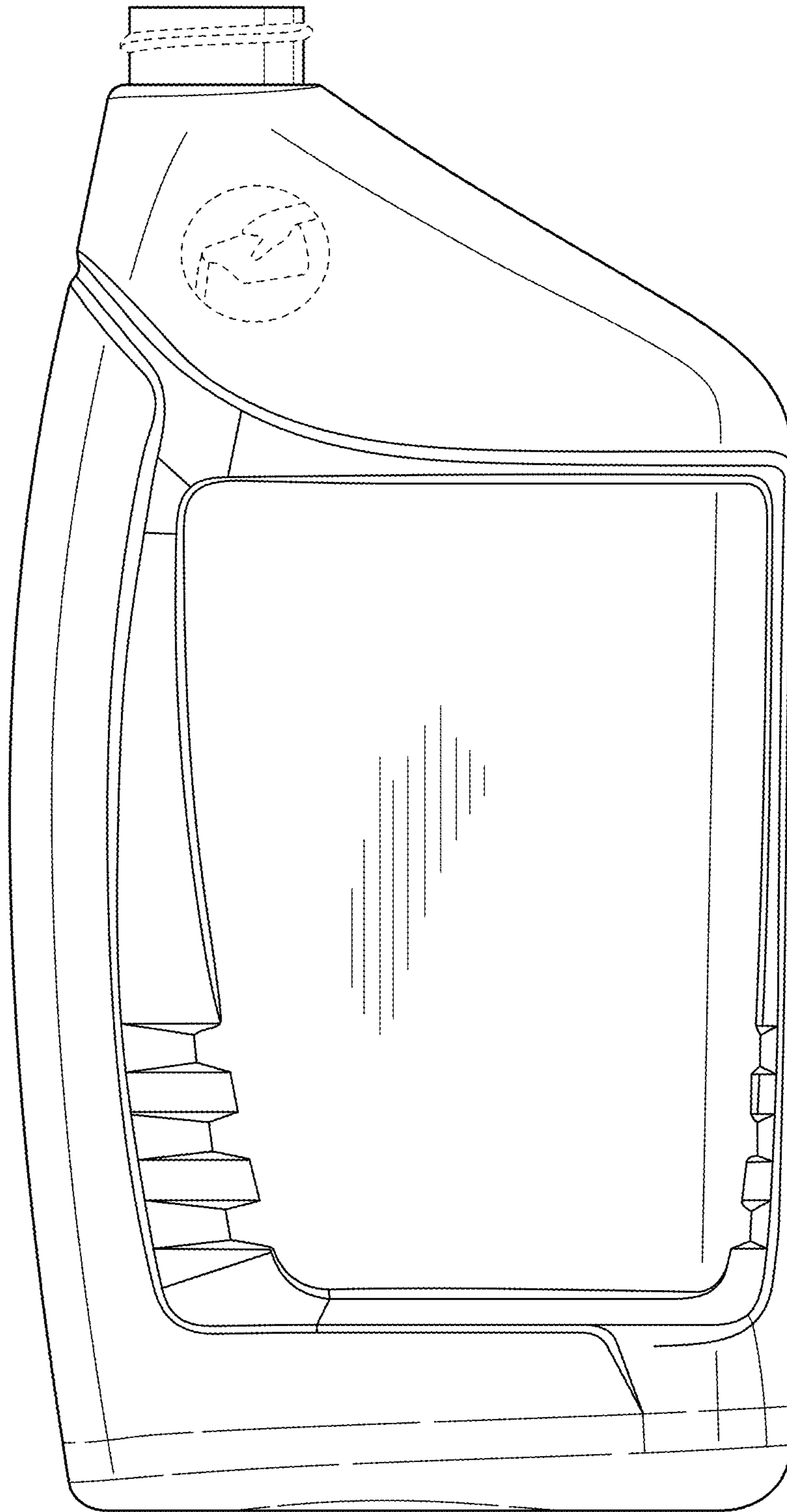


FIG. 2

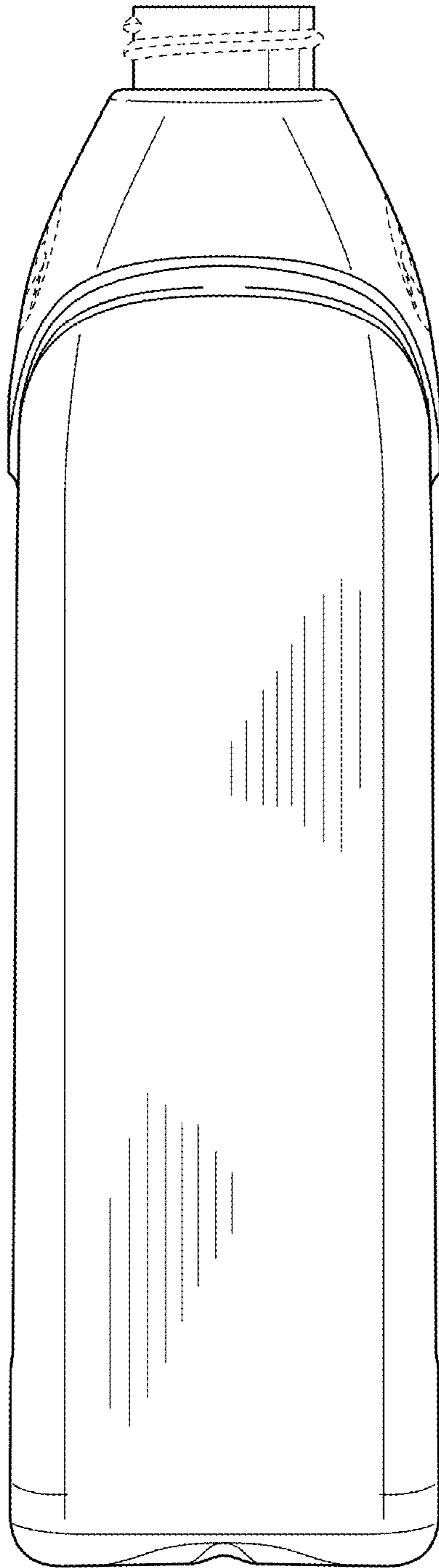


FIG. 3

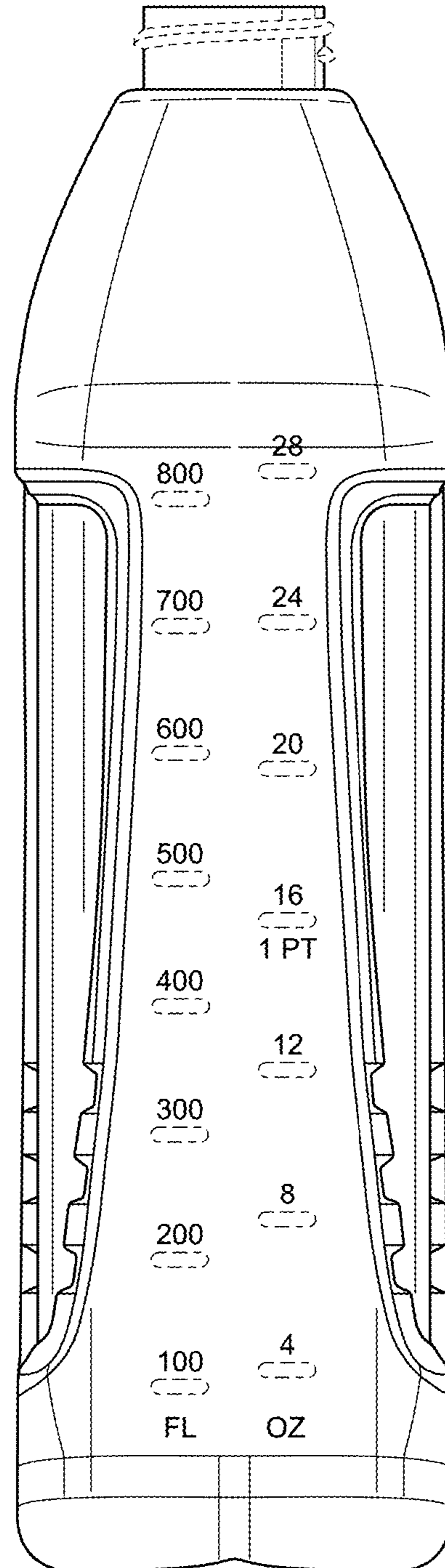


FIG. 4

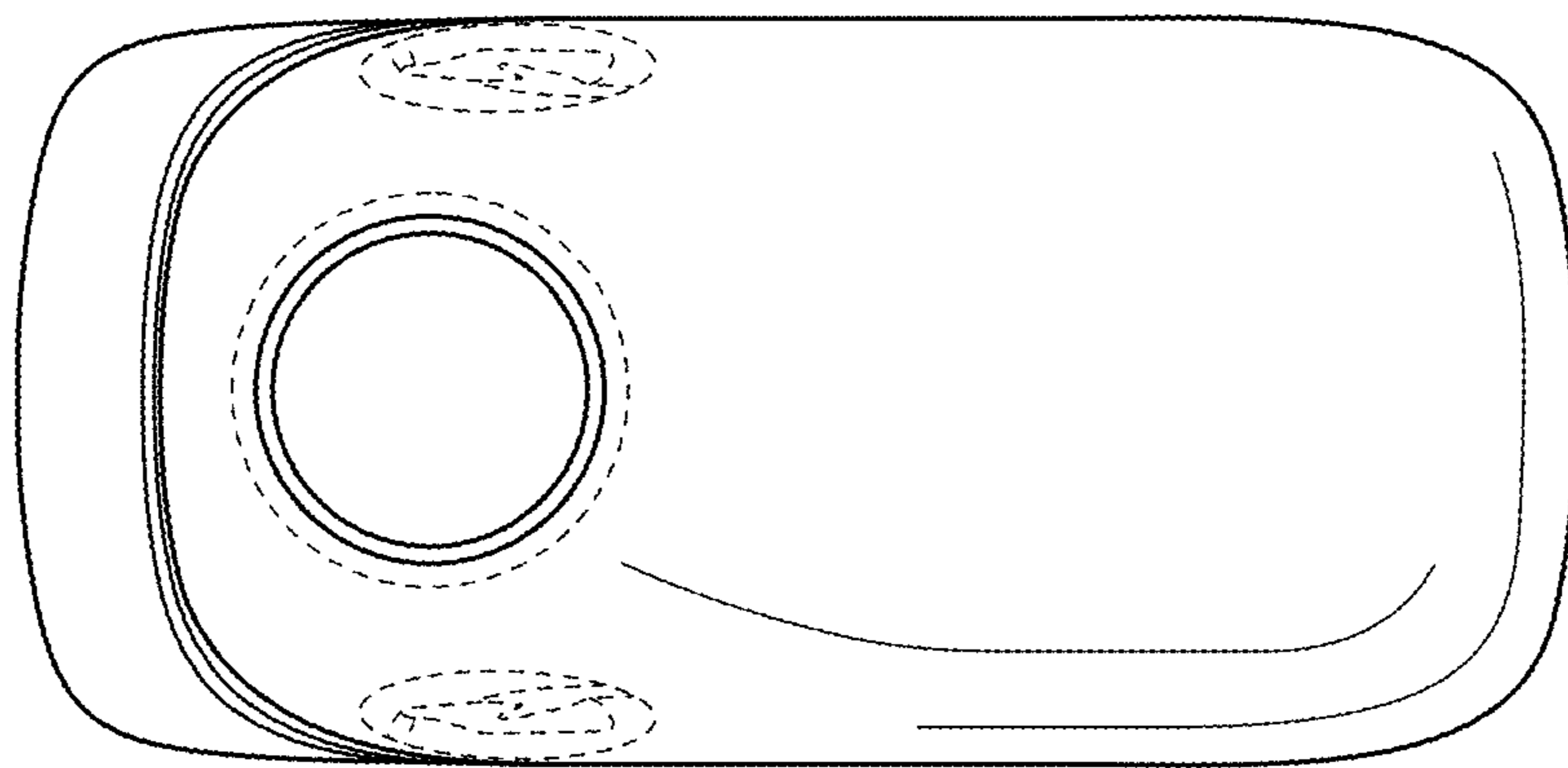


FIG. 5