



US00D778160S

(12) **United States Design Patent** (10) **Patent No.:** **US D778,160 S**
Orset (45) **Date of Patent:** **** Feb. 7, 2017**

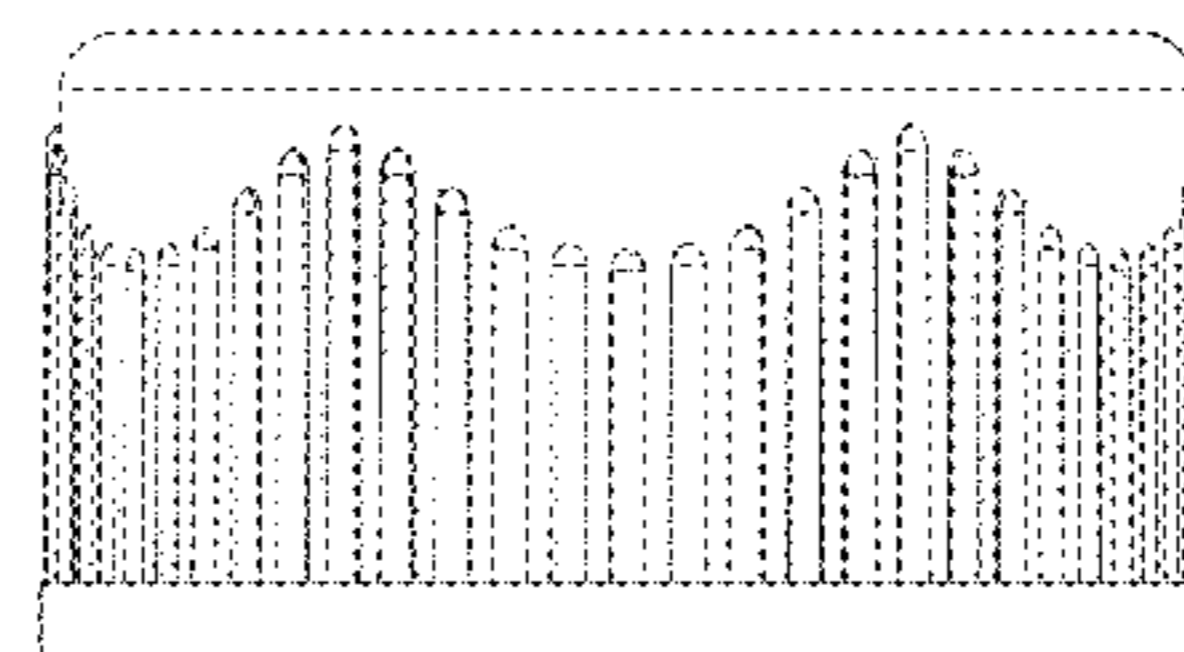
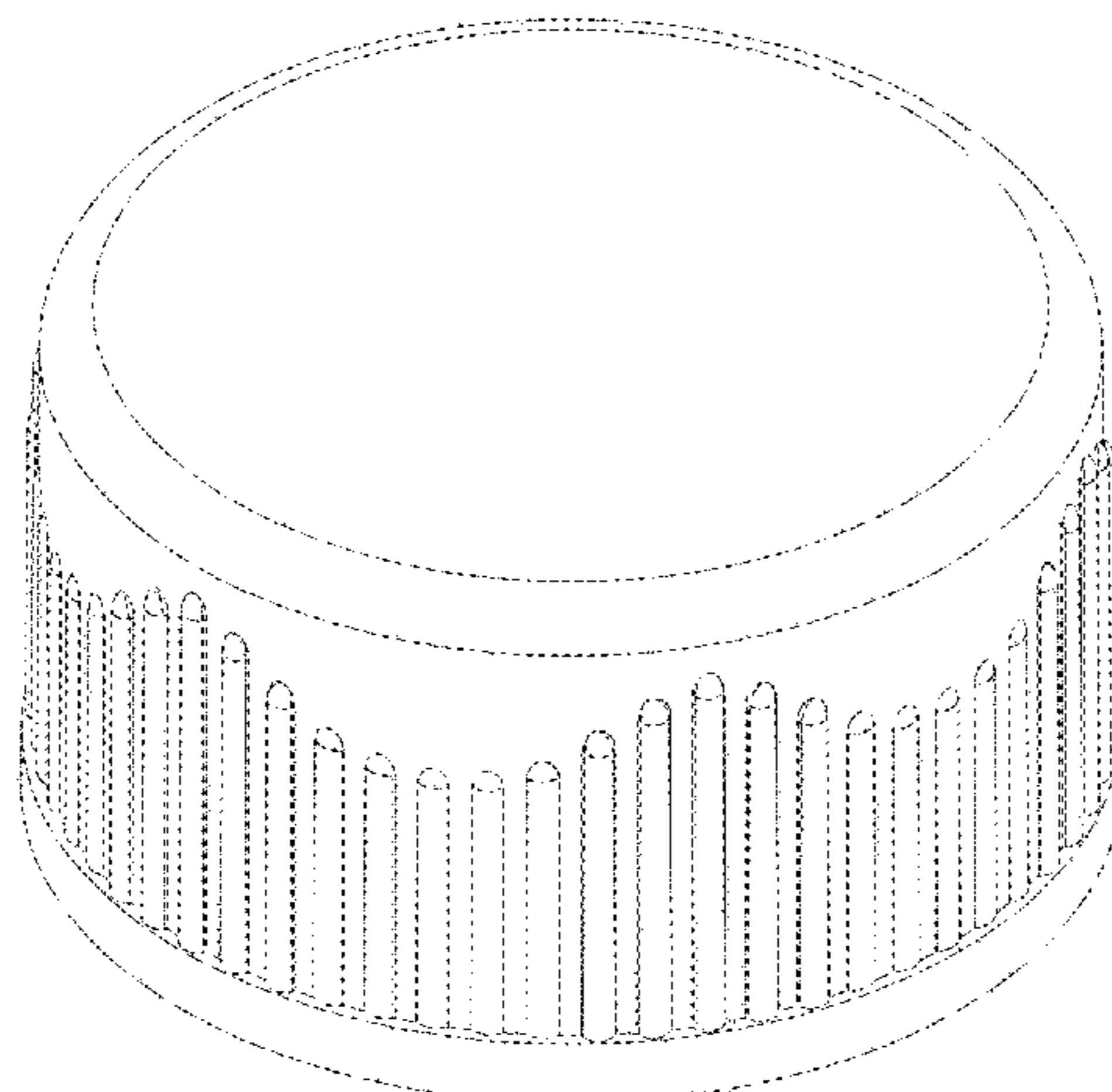
(54) **BOTTLE CAP**
 (71) Applicant: **CELGENE CORPORATION**,
 Summit, NJ (US)
 (72) Inventor: **Frederic Eugene Lucien Orset**,
 Habere-Lullin (FR)
 (73) Assignee: **Celgene Corporation**, Summit, NJ
 (US)
 (**) Term: **15 Years**
 (21) Appl. No.: **29/540,135**
 (22) Filed: **Sep. 21, 2015**
 (51) **LOC (10) Cl.** **09-01**
 (52) **U.S. Cl.**
 USPC **D9/452; D9/434; D9/435**
 (58) **Field of Classification Search**
 USPC D3/202, 203.1, 203.2, 273, 294, 318;
 D7/300, 300.1, 316, 317, 387, 391, 392.1,
 D7/393, 396.2, 509, 510, 511, 523,
 D7/525-531, 538, 541, 549, 629, 703,
 D7/900; D8/349, 350, 352; D9/434-443,
 D9/446, 447, 448, 449, 450, 452, 453,
 D9/454, 502, 503, 504, 516, 517, 529;
 D24/121, 127, 199, 224; D28/7, 76, 78,
 D28/82, 85, 91; D26/36, 123, 124;
 D35/1, 7, 10, 11, 39; 206/216, 219, 541,
 206/22, 221, 220; 215/306, 305, 228,
 215/200; 220/212.5, 200; 222/81, 83,
 222/556, 533, 530, 519, 205, 192, 158,
 222/153.01
 CPC B65D 50/041; B65D 23/00; B65D 1/00;
 B65D 1/02; B65D 1/0223; B65D
 2501/00; B65D 2501/0009; B65D 83/06
 See application file for complete search history.

(56) **References Cited**

U.S. PATENT DOCUMENTS

D25,355 S 4/1896 Smalley
 D81,145 S * 5/1930 Neuner D26/36
 2,681,742 A * 6/1954 Miller B65D 41/045
 215/350
 3,437,194 A 4/1969 Ames et al.
 4,369,889 A * 1/1983 Ostrowsky B65D 41/045
 215/246
 D274,220 S 6/1984 Biesecker

D274,221 S 6/1984 Biesecker
 5,318,183 A 6/1994 Cohen et al.
 D349,858 S 8/1994 Lonczak et al.
 D359,907 S 7/1995 Hirsch
 D359,909 S 7/1995 Hirsch
 D359,910 S 7/1995 Hirsch
 D368,658 S 4/1996 Hirsch
 5,544,768 A 8/1996 Gargione
 D382,488 S 8/1997 Ja
 D384,857 S * 10/1997 Beaulé D7/387
 5,803,287 A 9/1998 Kusz
 D399,756 S 10/1998 Lonczak et al.
 5,950,849 A 9/1999 Ekkert et al.
 D436,538 S 1/2001 Lang
 D470,413 S 2/2003 Seidita
 6,581,793 B1 * 6/2003 Racine B65D 41/045
 215/252
 D481,640 S 11/2003 Biesecker
 6,702,134 B2 * 3/2004 Scalese B65D 41/0414
 215/329
 D495,599 S 9/2004 Biesecker
 6,854,613 B2 2/2005 Biesecker et al.
 D503,886 S 4/2005 Biesecker
 6,889,857 B2 * 5/2005 Francois B65D 41/0421
 215/232
 D510,523 S 10/2005 Pitman et al.
 D511,457 S 11/2005 Biesecker et al.
 D512,912 S 12/2005 Biesecker et al.
 D513,585 S 1/2006 Biesecker et al.
 D513,587 S 1/2006 Forte
 D518,716 S 4/2006 Mallet
 D519,373 S 4/2006 Pitman et al.
 D535,189 S * 1/2007 Pitman D9/452
 7,178,683 B2 * 2/2007 Birkmayer B65D 41/3442
 206/222
 D538,654 S * 3/2007 Seidita D9/453
 D546,181 S 7/2007 Biesecker et al.
 D548,101 S 8/2007 Elgebrant
 D574,240 S 8/2008 Szczesniak
 D583,237 S * 12/2008 Fuchs D9/453
 D584,149 S * 1/2009 Lohrman D9/453
 D586,213 S 2/2009 Wells et al.
 D587,115 S * 2/2009 Capretta D9/434
 D597,840 S 8/2009 Biesecker et al.
 7,607,547 B2 10/2009 Kumata et al.
 D606,401 S * 12/2009 Kamath D9/453
 D606,864 S 12/2009 Robinson
 D608,201 S * 1/2010 Fuchs D9/453
 D611,346 S 3/2010 Camomile
 D613,162 S * 4/2010 Druitt D9/453
 D615,864 S * 5/2010 Fuchs D9/453
 D618,099 S 6/2010 Biesecker et al.
 D619,003 S * 7/2010 Benoit-Gonin D9/453



| | | | | |
|--------------|------|---------|------------------|-------------------------|
| D622,591 | S | 8/2010 | Biesecker et al. | |
| D623,518 | S | 9/2010 | Camomile | |
| 7,802,690 | B2 | 9/2010 | Lohrman et al. | |
| D638,707 | S * | 5/2011 | Stoffers | D9/451 |
| D643,295 | S | 8/2011 | Sadler et al. | |
| D657,673 | S | 4/2012 | Biesecker | |
| D657,674 | S | 4/2012 | Biesecker | |
| 8,177,059 | B2 | 5/2012 | Gudmundsson | |
| D663,202 | S | 7/2012 | Biesecker et al. | |
| 8,231,020 | B2 | 7/2012 | Taber et al. | |
| D666,495 | S | 9/2012 | Biesecker et al. | |
| D671,834 | S * | 12/2012 | Chasteen | D9/453 |
| D674,697 | S | 1/2013 | Biesecker et al. | |
| 8,360,257 | B2 * | 1/2013 | Sebille | B29C 45/4407 215/219 |
| 8,393,483 | B2 * | 3/2013 | Druitt | 215/252 |
| D681,465 | S * | 5/2013 | Cox | D9/441 |
| D681,466 | S | 5/2013 | Cox et al. | |
| D687,299 | S * | 8/2013 | Peykoff | D9/453 |
| D688,129 | S * | 8/2013 | Krause | D9/453 |
| D691,046 | S | 10/2013 | Krause | |
| D691,473 | S | 10/2013 | Smith et al. | |
| D691,484 | S | 10/2013 | Fitzgerald | |
| D693,221 | S * | 11/2013 | Ramsey | D9/453 |
| D693,683 | S * | 11/2013 | Ramsey | D9/453 |
| D694,120 | S | 11/2013 | Baussion | |
| 8,590,719 | B2 | 11/2013 | Sprishen et al. | |
| D696,958 | S | 1/2014 | Rex | |
| 8,672,158 | B2 | 3/2014 | Taber et al. | |
| 8,695,821 | B2 | 4/2014 | Bashyam | |
| D727,152 | S * | 4/2015 | Yaseen | D9/454 |
| 2003/0132244 | A1 * | 7/2003 | Birkmayer | B65D 41/3442 222/83 |
| 2003/0136753 | A1 | 7/2003 | Biesecker et al. | |
| 2004/0222181 | A1 | 11/2004 | Biesecker et al. | |
| 2005/0109782 | A1 | 5/2005 | Biesecker et al. | |
| 2005/0194343 | A1 | 9/2005 | Sprishen | |
| 2006/0000793 | A1 * | 1/2006 | Mavin | B65D 47/103 215/253 |
| 2007/0045320 | A1 | 3/2007 | Biesecker et al. | |
| 2008/0197101 | A1 | 8/2008 | Rapoport | |
| 2008/0308518 | A1 | 12/2008 | Sprishen | |
| 2008/0314900 | A1 | 12/2008 | Biesecker et al. | |
| 2009/0212003 | A1 | 8/2009 | Gudmundsson | |
| 2010/0200532 | A1 * | 8/2010 | Ekkert | B65D 51/00 215/201 |
| 2011/0017741 | A1 | 1/2011 | Sprishen | |
| 2011/0094990 | A1 | 4/2011 | Sprishen et al. | |
| 2011/0290755 | A1 * | 12/2011 | Taber | B65D 41/00 215/329 |
| 2012/0318768 | A1 * | 12/2012 | Bashyam | B65D 41/0485 215/329 |
| 2012/0325768 | A1 | 12/2012 | Biesecker et al. | |
| 2013/0270272 | A1 * | 10/2013 | Smith | B65D 41/0414 220/288 |
| 2013/0313218 | A1 * | 11/2013 | Cox | B65D 41/0485 215/246 |
| 2015/0336716 | A1 * | 11/2015 | Gehring | B29C 45/1676 215/316 |
| 2016/0039579 | A1 * | 2/2016 | Wood | B65D 41/0421 215/329 |

FOREIGN PATENT DOCUMENTS

| | | |
|----|-----------|---------|
| FR | 090080 | 7/2009 |
| SE | 82661 | 2/2014 |
| WO | 1019449 | 11/1984 |
| WO | 2029253 | 6/1993 |
| WO | DM/071617 | 12/2008 |

OTHER PUBLICATIONS

U.S. Appl. No. 29/540,142, filed Sep. 21, 2015, Orset.
 U.S. Appl. No. 29/502,015, filed Sep. 10, 2014, Orset.
 U.S. Appl. No. 29/502,019, filed Sep. 10, 2014, Orset.

* cited by examiner

Primary Examiner — Catherine Posthauer
 (74) Attorney, Agent, or Firm — Jones Day

(57) CLAIM

The ornamental design for a bottle cap, as shown and described.

DESCRIPTION

FIG. 1 is a top and first side perspective view of a bottle cap showing my new design;
 FIG. 2 is a bottom and first side perspective view thereof;
 FIG. 3 is a first side elevational view thereof;
 FIG. 4 is a second side elevational view thereof;
 FIG. 5 is a third side elevational view thereof;
 FIG. 6 is a fourth side elevational view thereof;
 FIG. 7 is a top elevational view thereof;
 FIG. 8 is a bottom elevational view thereof.
 FIG. 9 is a top and first side perspective view of a second embodiment of a bottle cap showing my new design;
 FIG. 10 is a bottom and first side perspective view thereof;
 FIG. 11 is a first side elevational view thereof;
 FIG. 12 is a second side elevational view thereof;
 FIG. 13 is a third side elevational view thereof;
 FIG. 14 is a fourth side elevational view thereof;
 FIG. 15 is a top elevational view thereof;
 FIG. 16 is a bottom elevational view thereof.
 FIG. 17 is a top and first side perspective view of a third embodiment of a bottle cap showing my new design;
 FIG. 18 is a bottom and first side perspective view thereof;
 FIG. 19 is a top elevational view thereof;
 FIG. 20 is a bottom elevational view thereof.
 FIG. 21 is a first side elevational view thereof;
 FIG. 22 is a second side elevational view thereof;
 FIG. 23 is a third side elevational view thereof;
 FIG. 24 is a fourth side elevational view thereof;
 FIG. 25 is a top and first side perspective view of a fourth embodiment of a bottle cap showing my new design;
 FIG. 26 is a bottom and first side perspective view thereof;
 FIG. 27 is a top elevational view thereof;
 FIG. 28 is a bottom elevational view thereof.
 FIG. 29 is a first side elevational view thereof;
 FIG. 30 is a second side elevational view thereof;
 FIG. 31 is a third side elevational view thereof;
 FIG. 32 is a fourth side elevational view thereof;
 FIG. 33 is a top and first side perspective view of a fifth embodiment of a bottle cap showing my new design;
 FIG. 34 is a bottom and first side perspective view thereof;
 FIG. 35 is a top elevational view thereof;
 FIG. 36 is a bottom elevational view thereof.
 FIG. 37 is a first side elevational view thereof;
 FIG. 38 is a second side elevational view thereof;
 FIG. 39 is a third side elevational view thereof; and
 FIG. 40 is a fourth side elevational view thereof.
 The broken lines in FIGS. 2, 8, 10, 16, 18, 20, 26, 28, 34, and 36 are shown for the purpose of illustrating parts of the bottle cap that form no part of the claim.

1 Claim, 10 Drawing Sheets

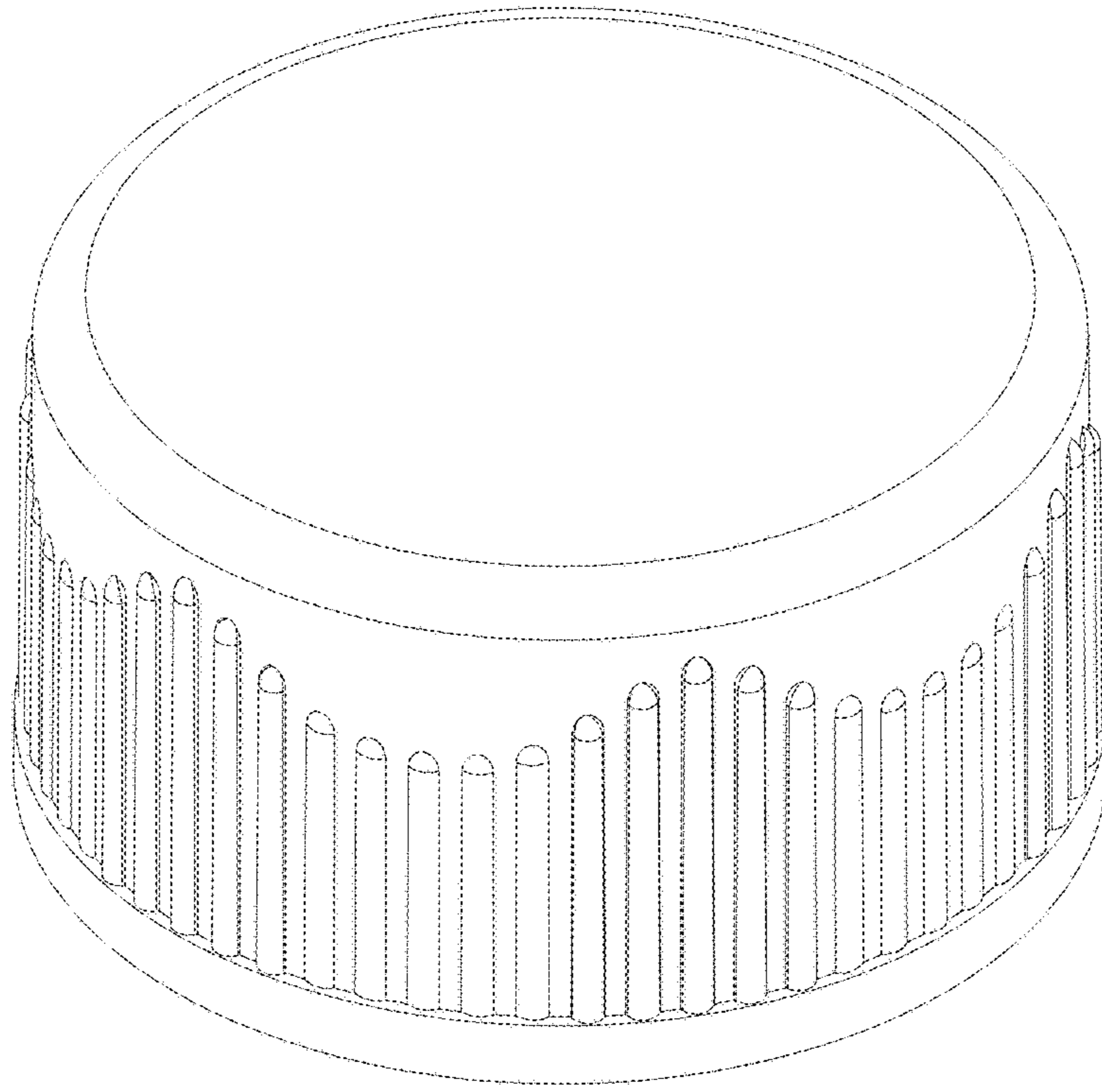


Fig. 1

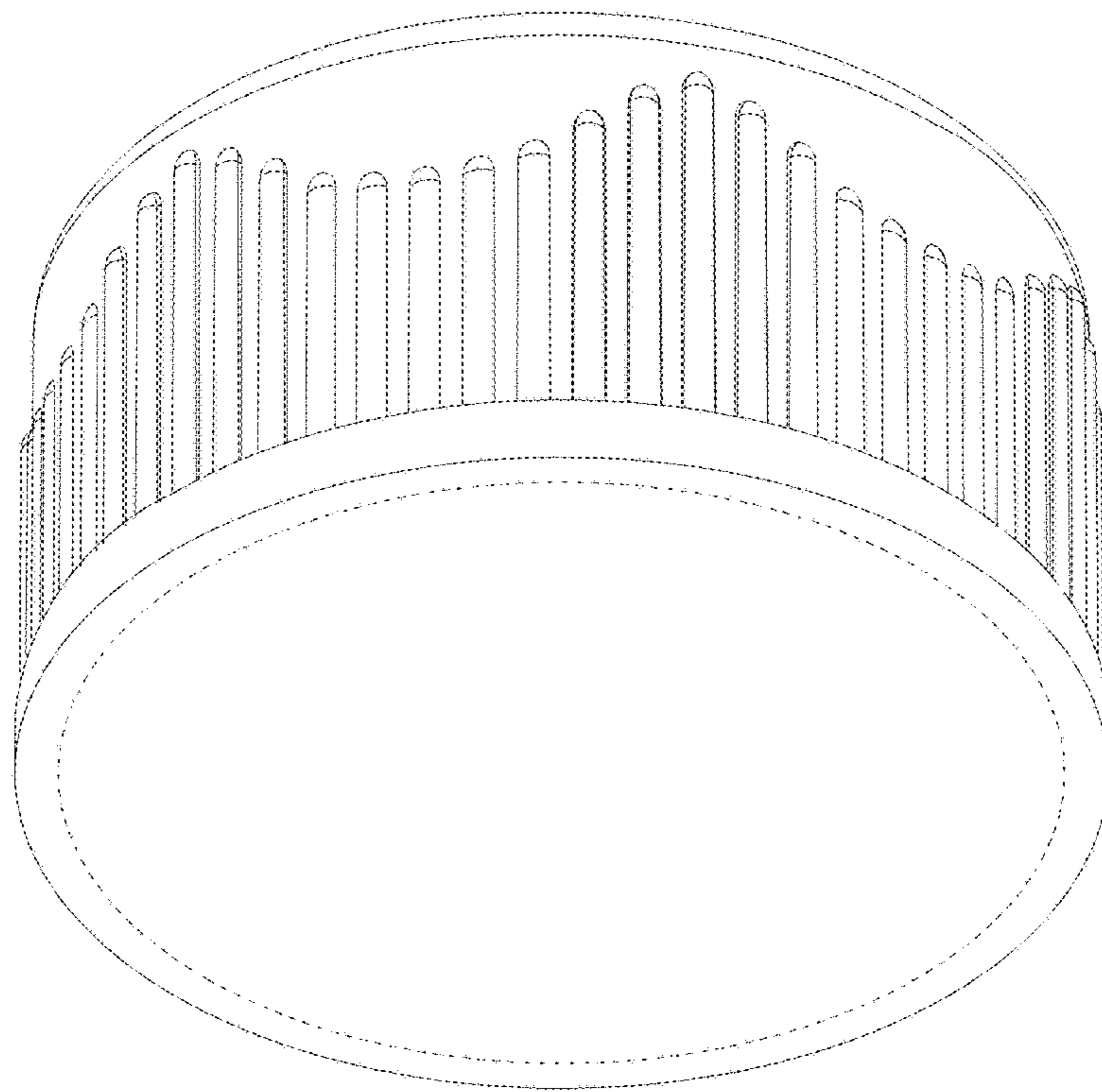


Fig. 2

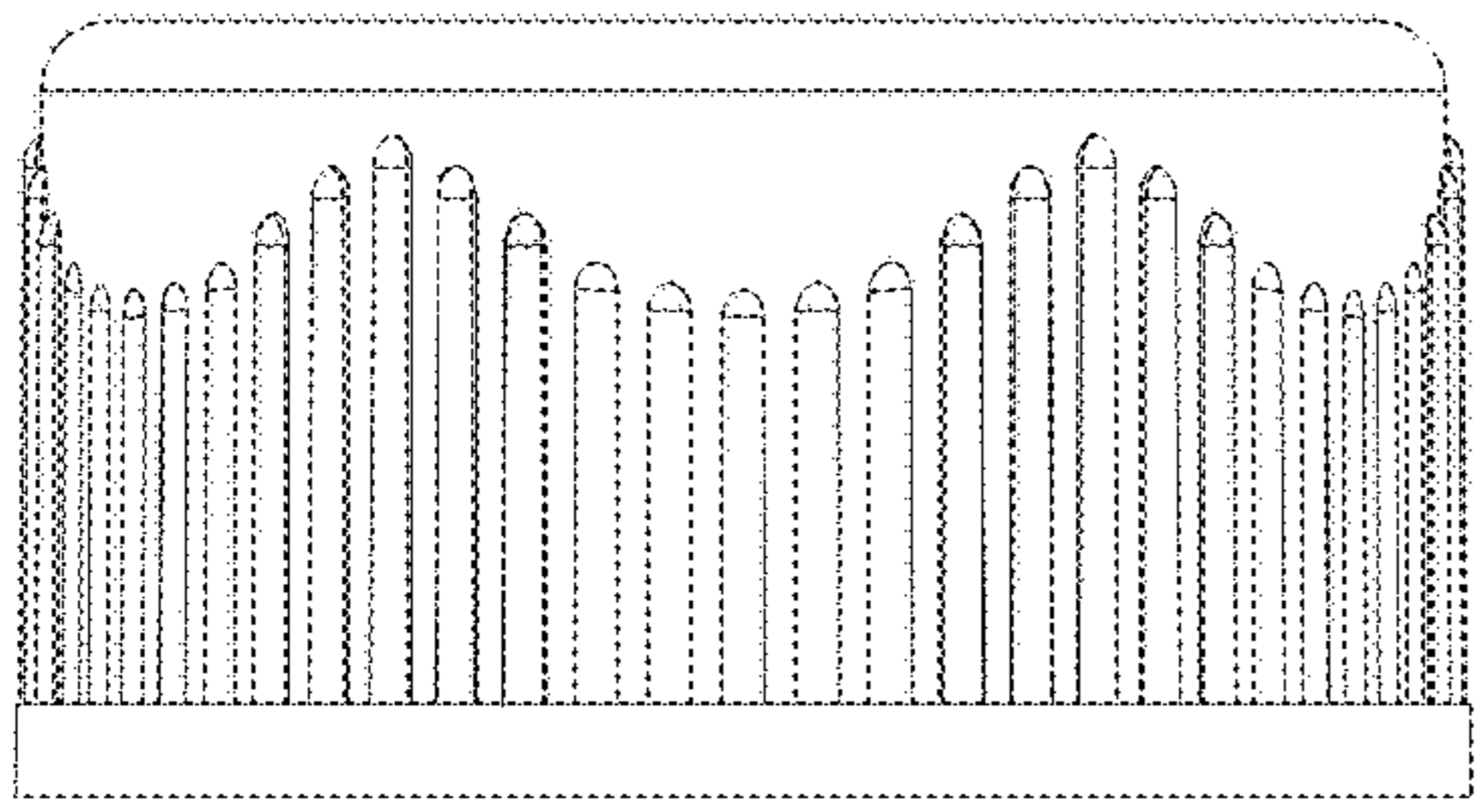


Fig. 3

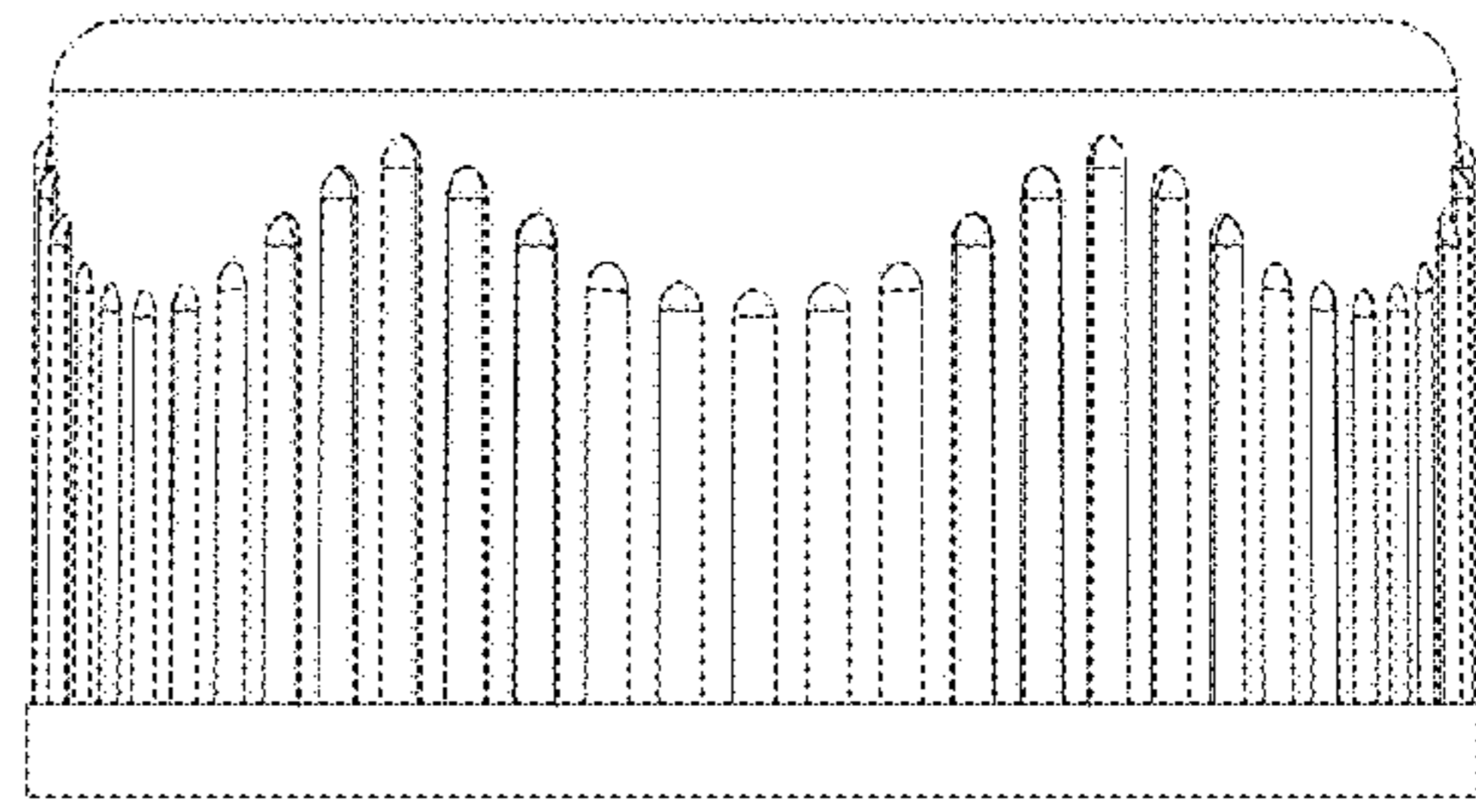


Fig. 4

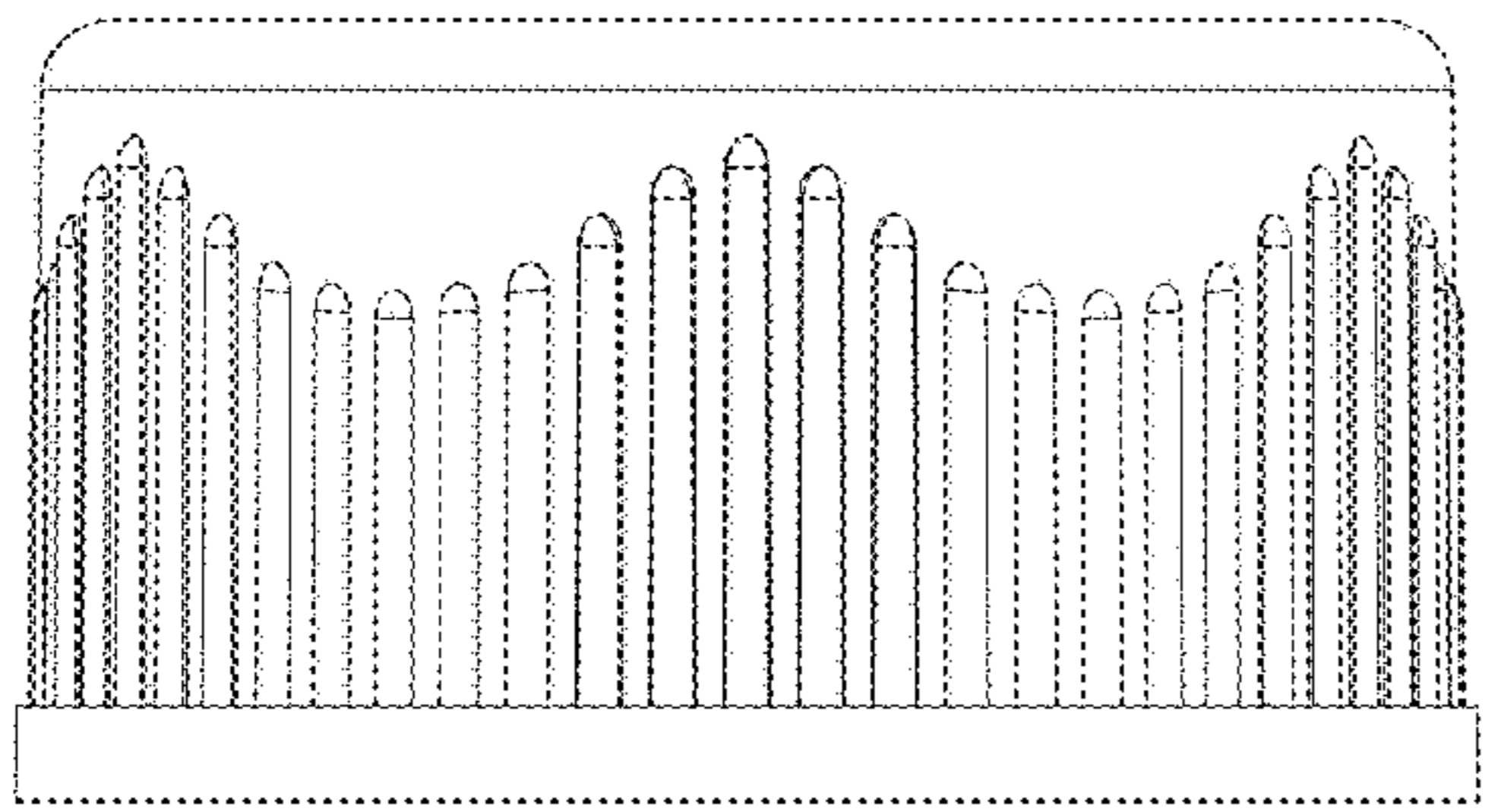


Fig. 5

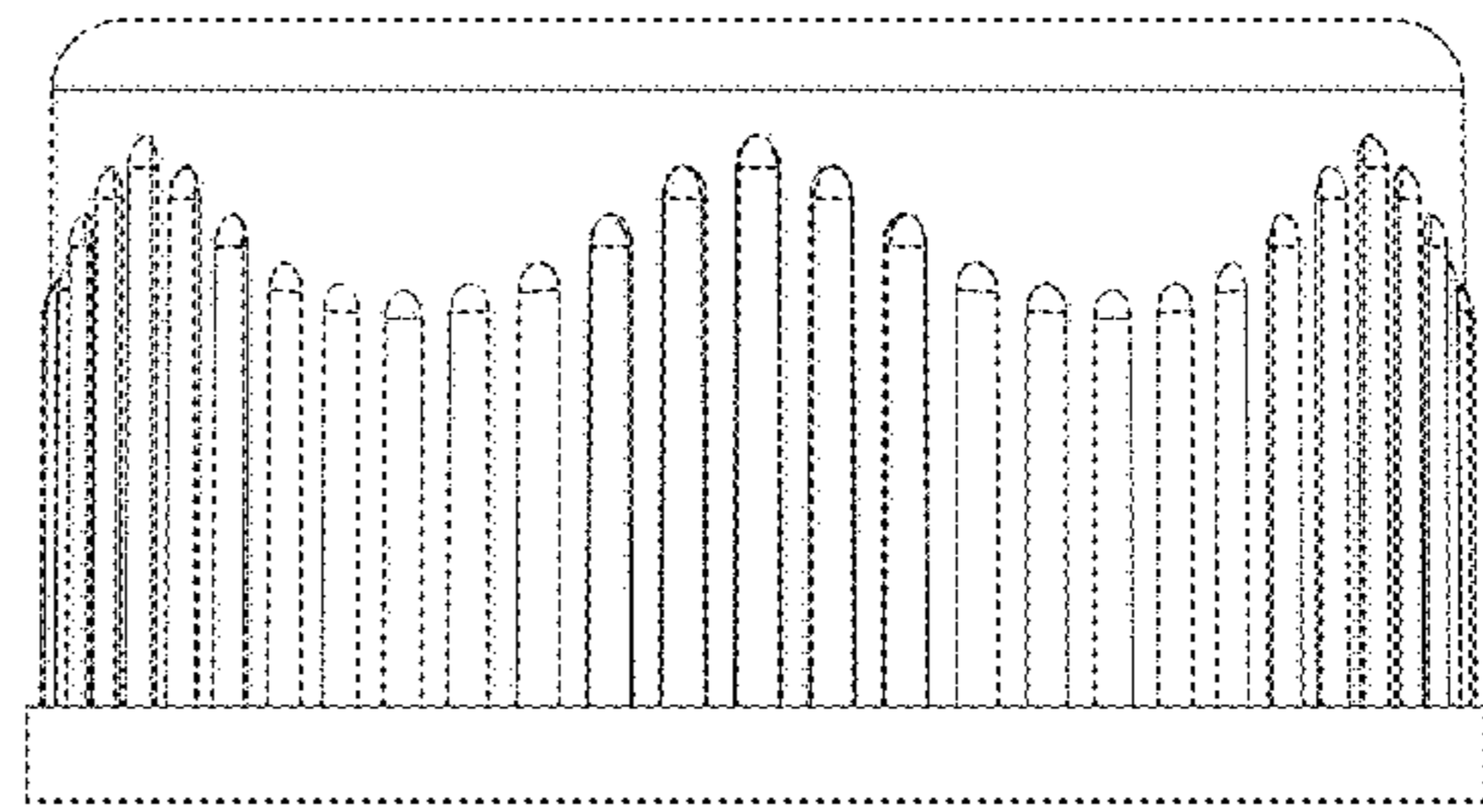


Fig. 6

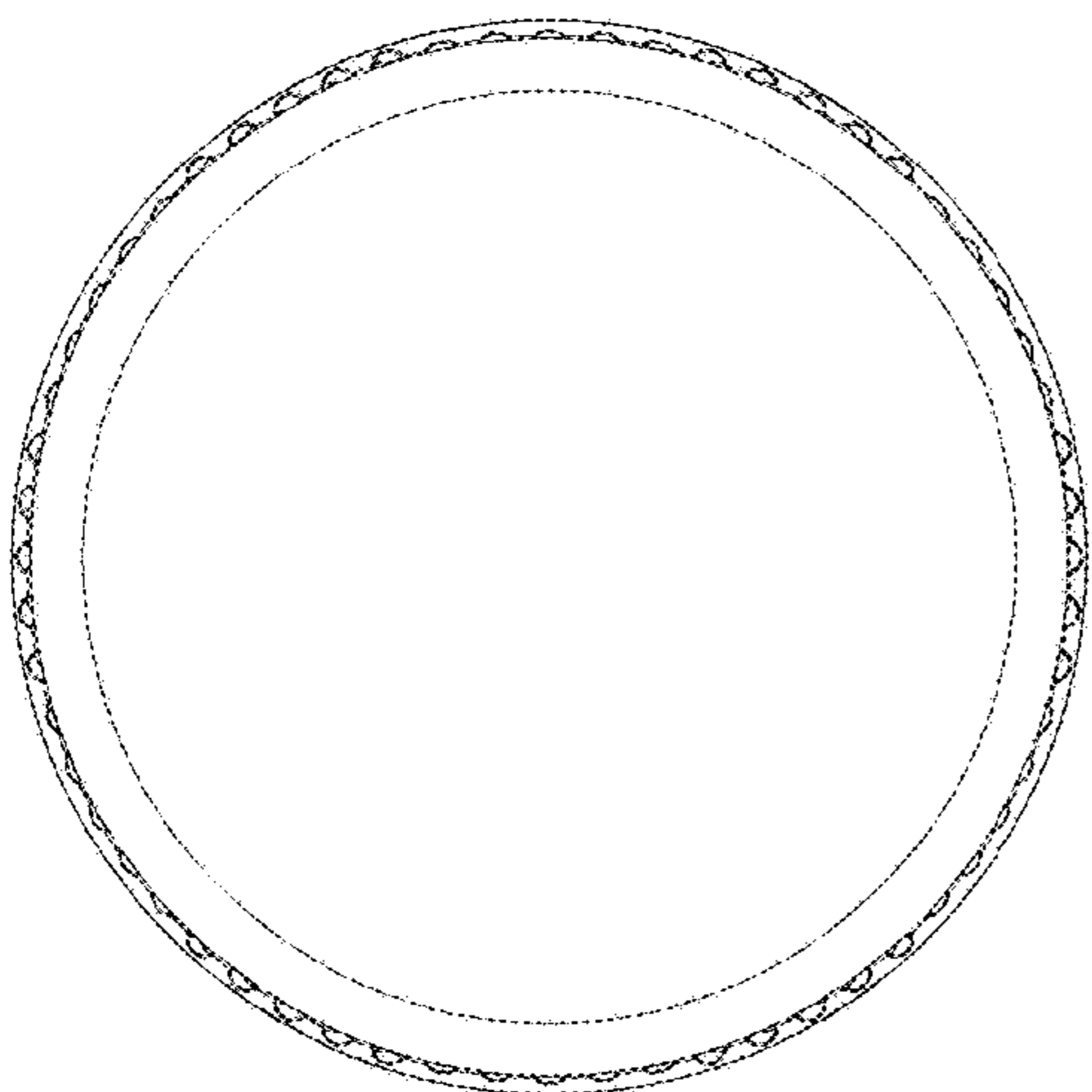


Fig. 7

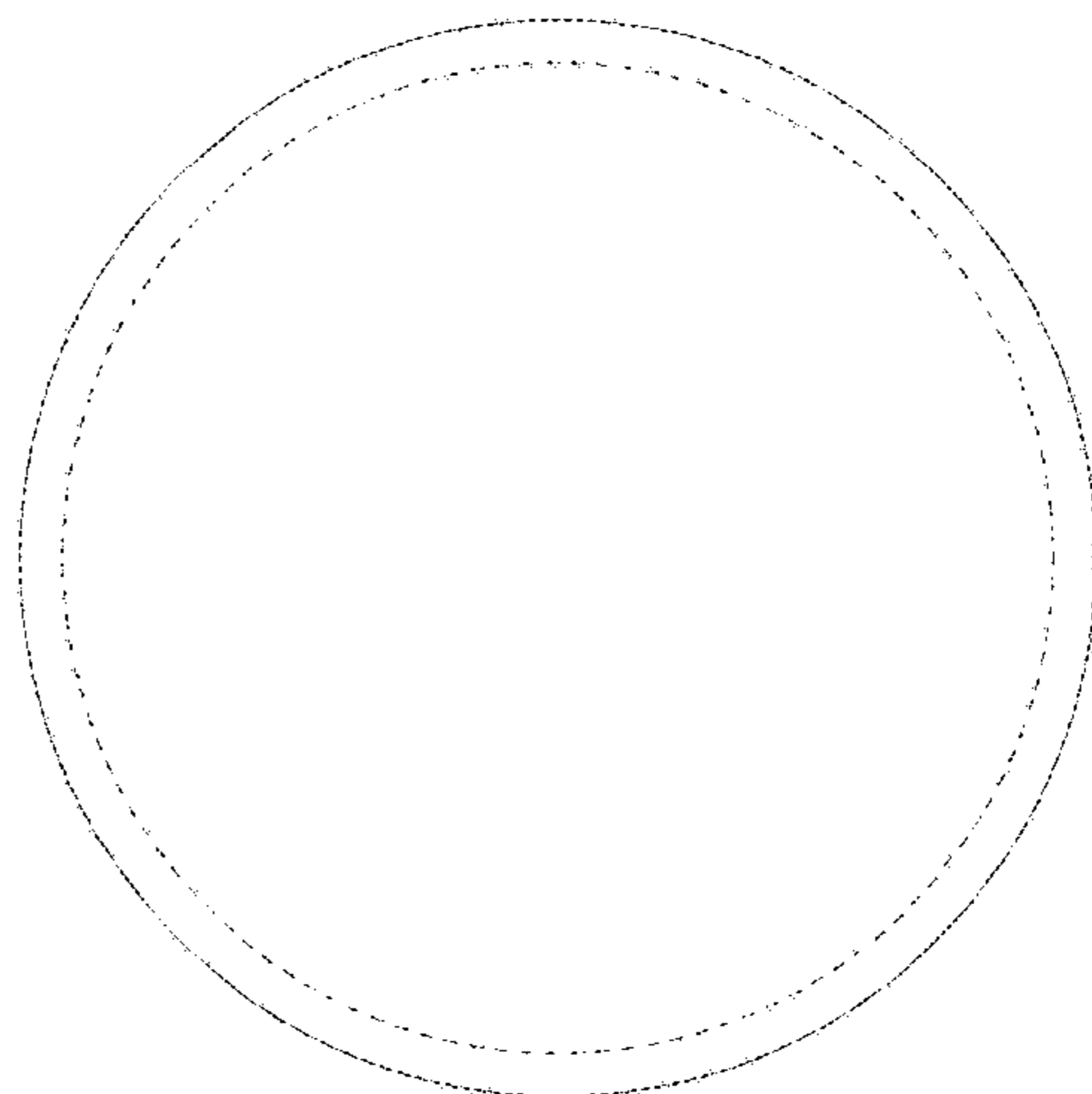


Fig. 8

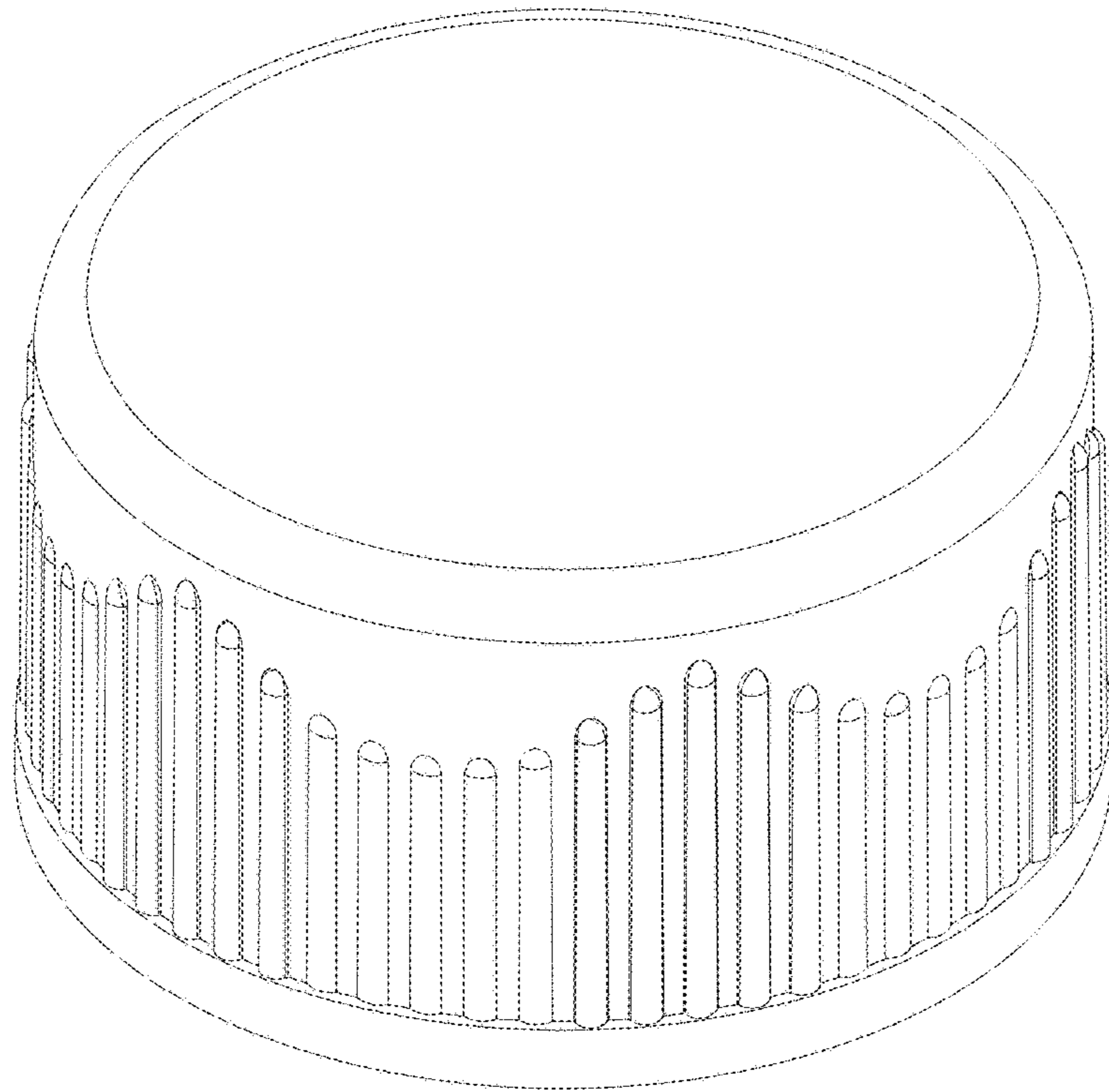


Fig. 9

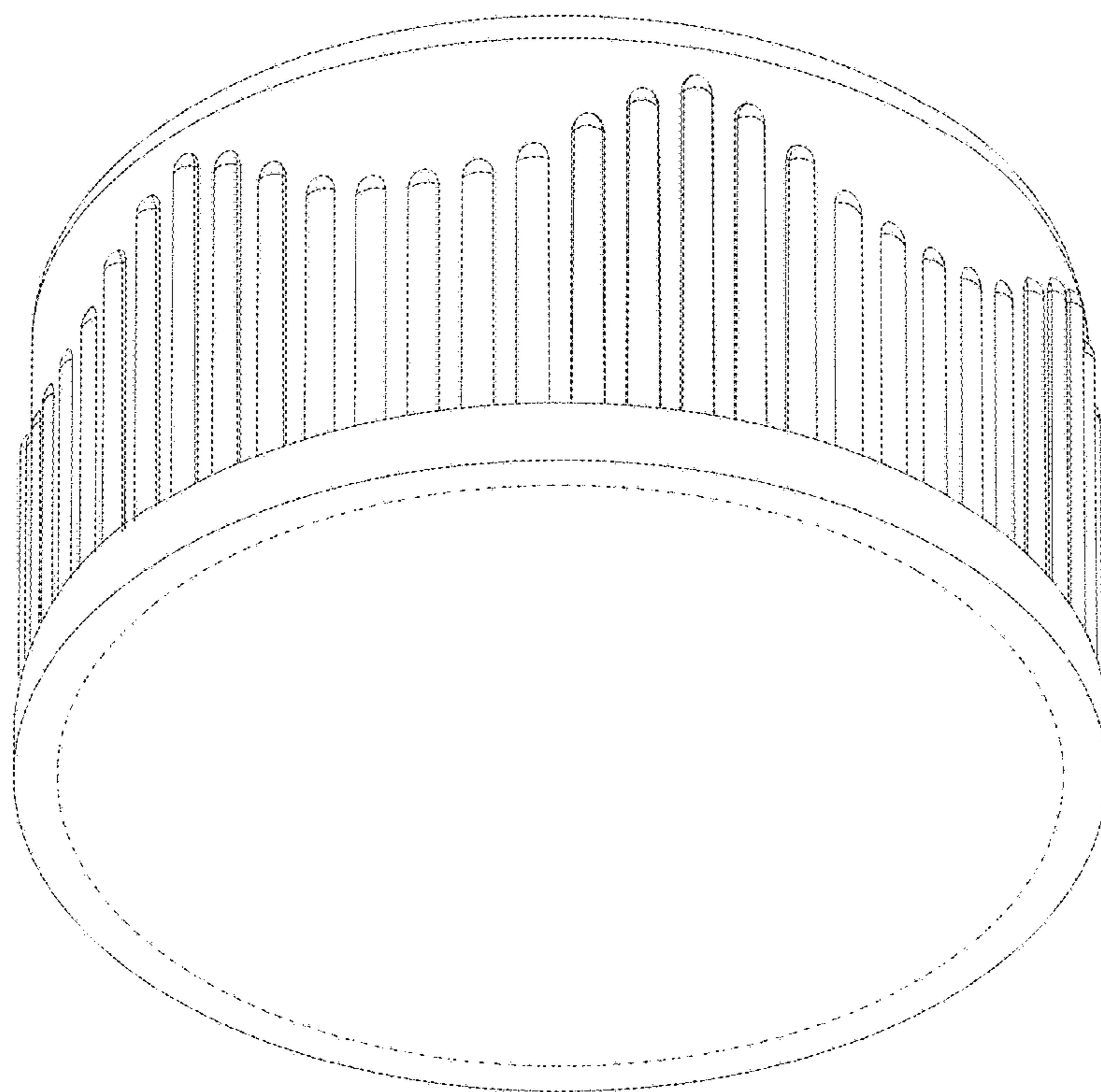


Fig. 10

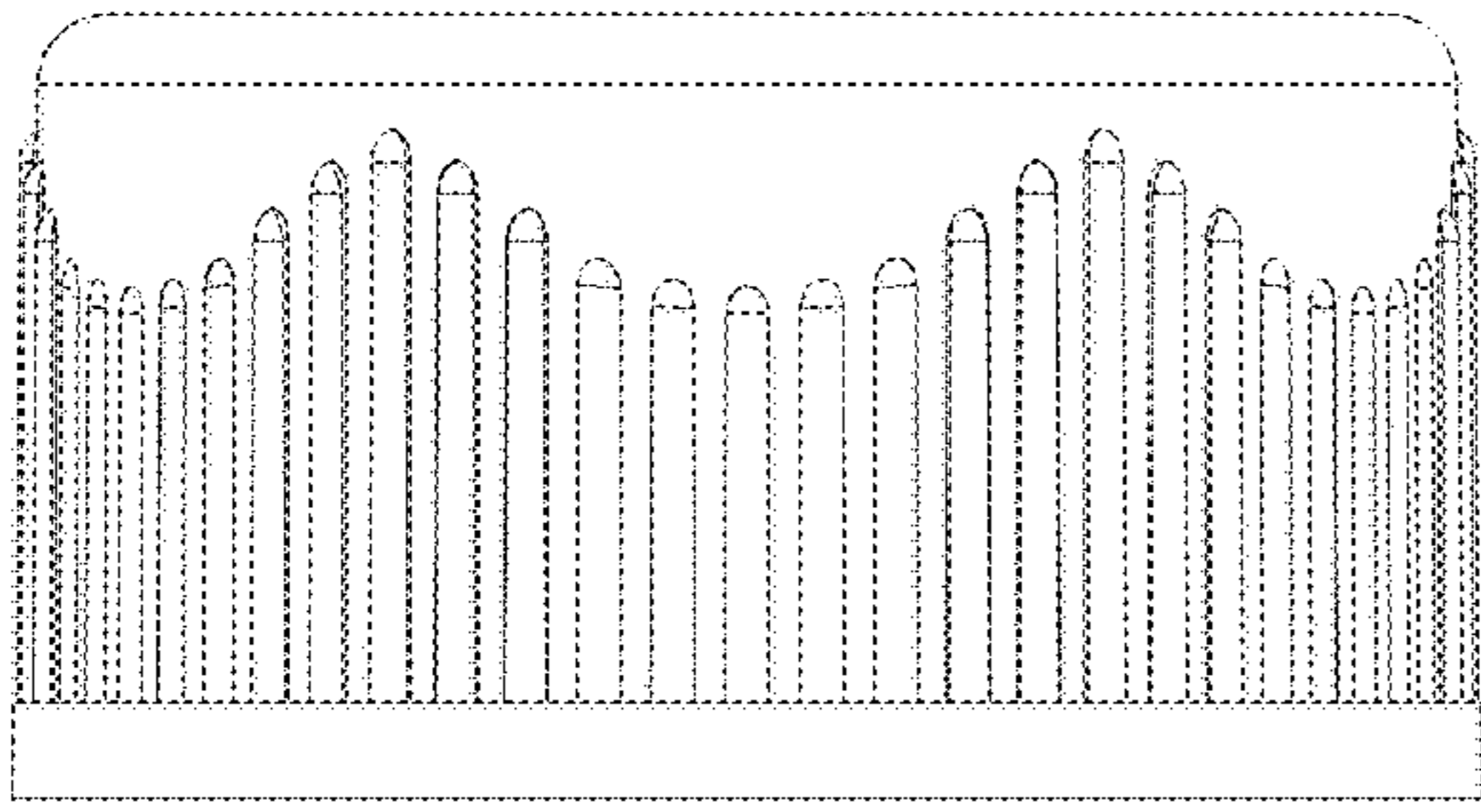


Fig. 11

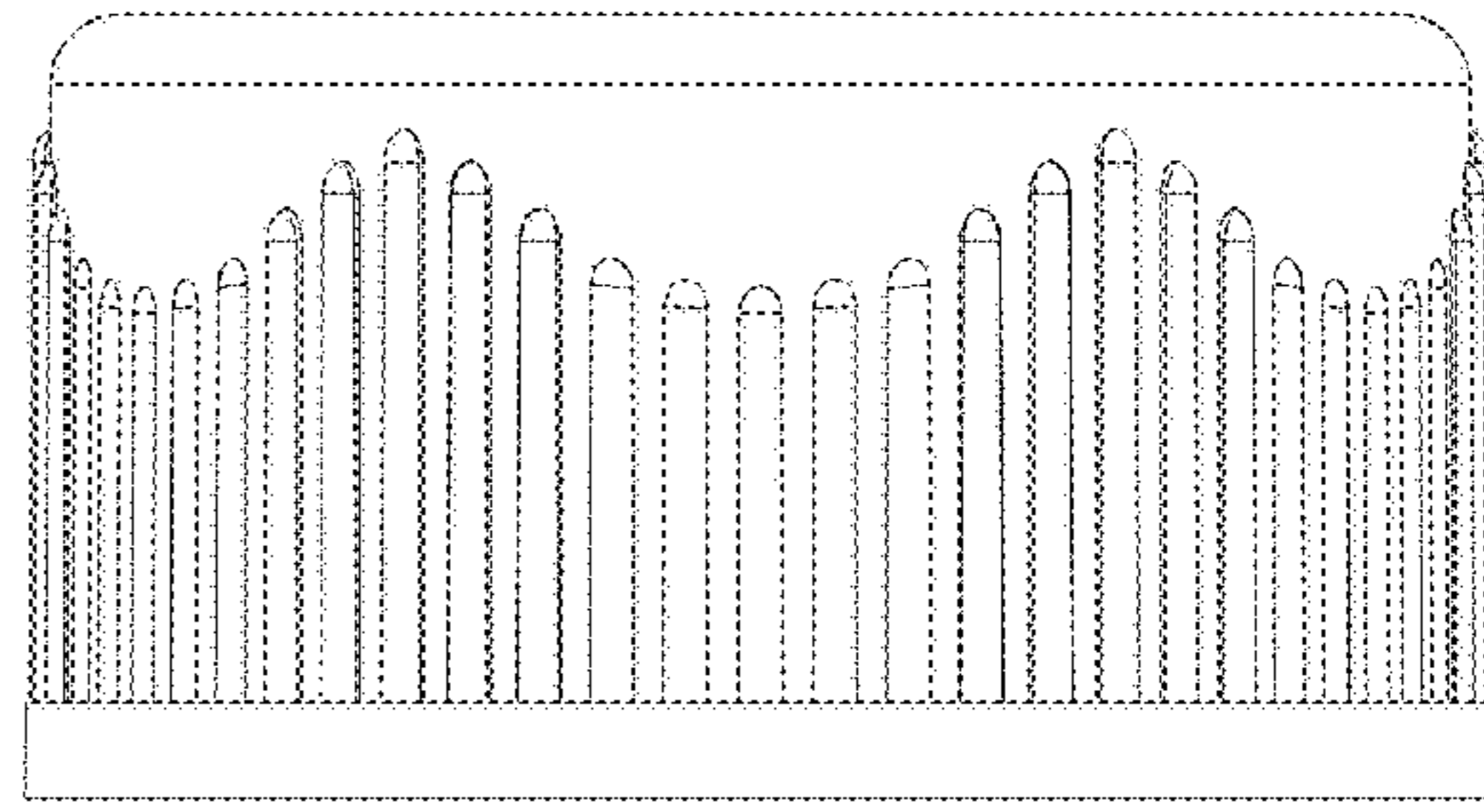


Fig. 12

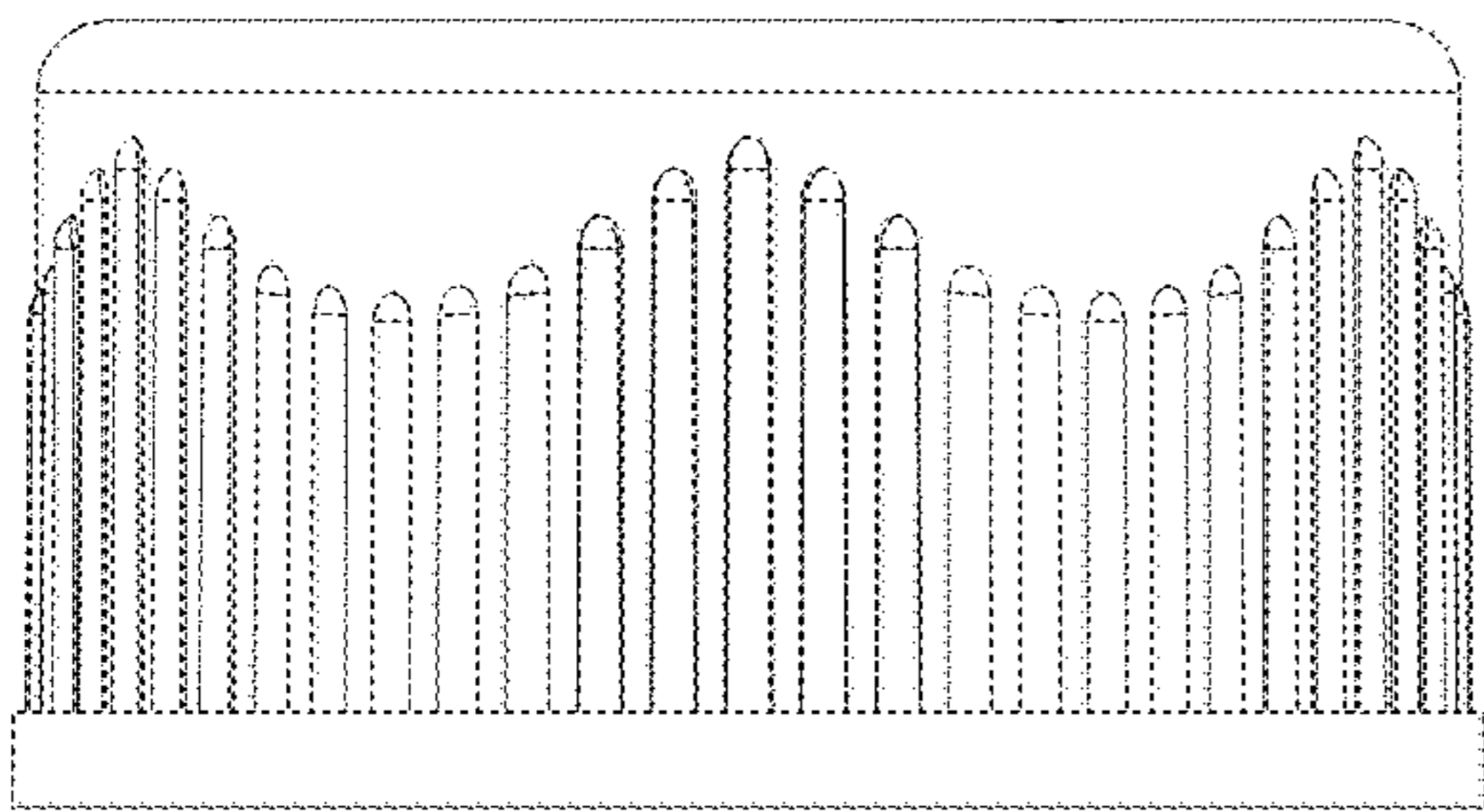


Fig. 13

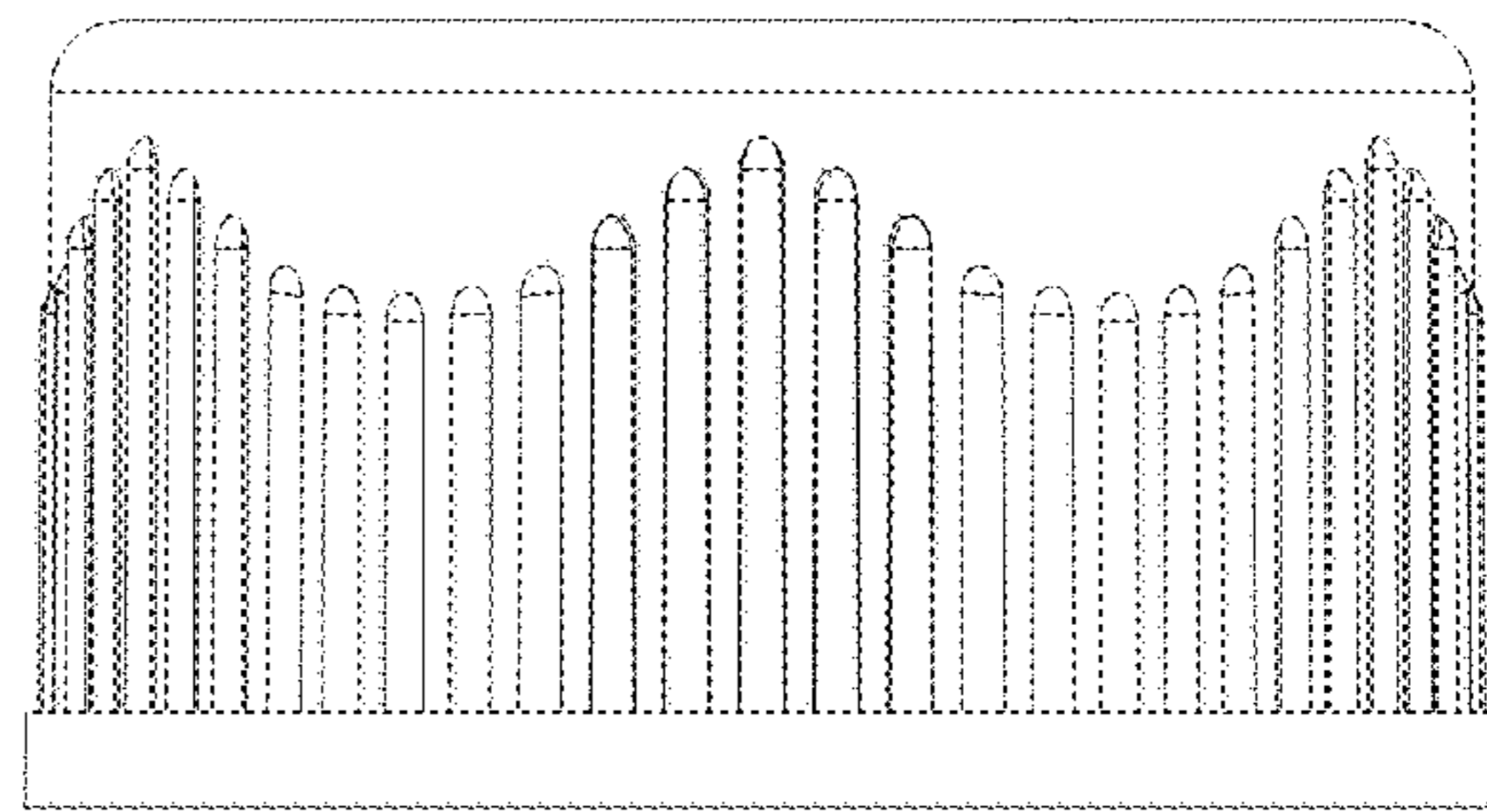


Fig. 14

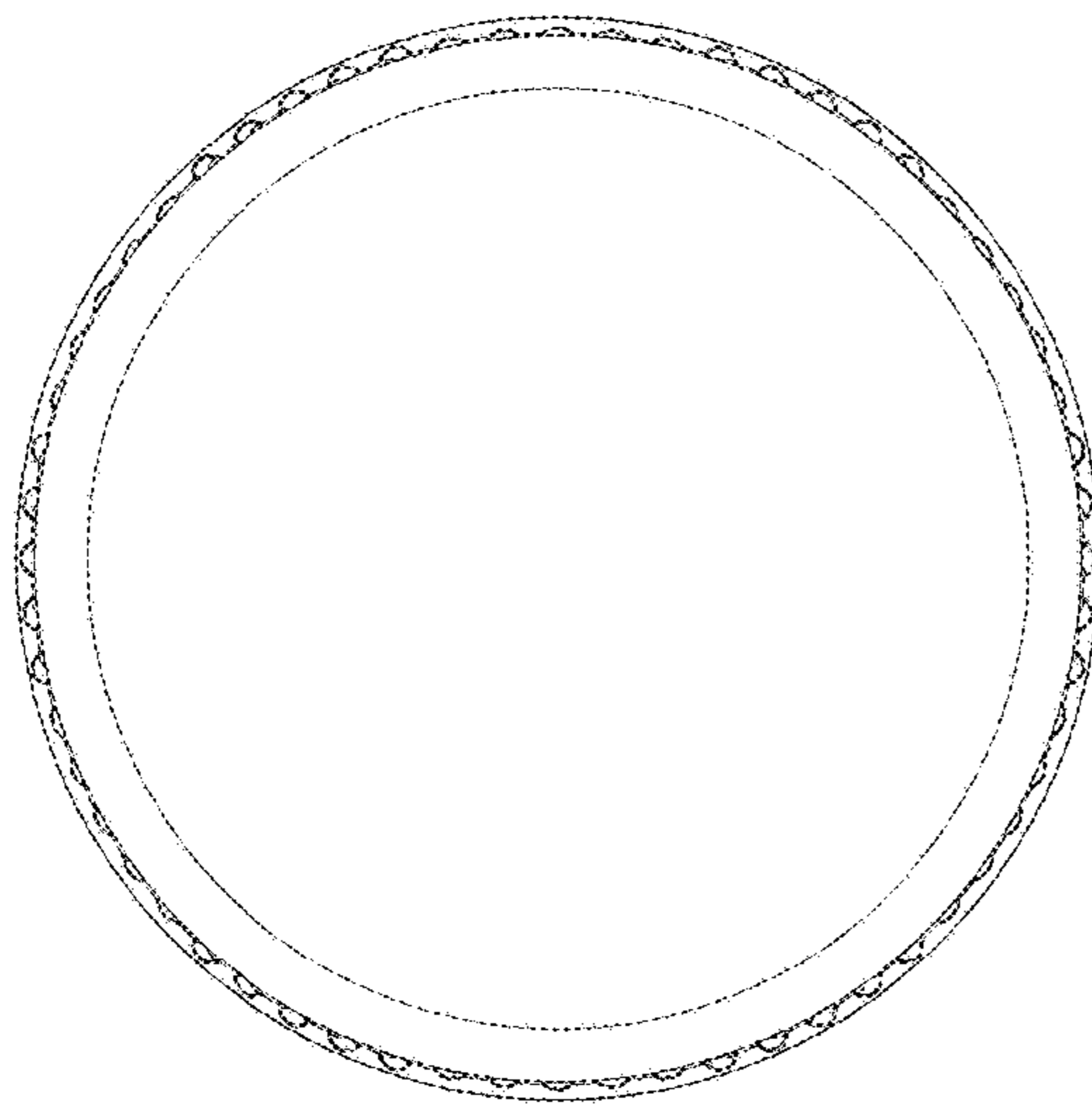


Fig. 15

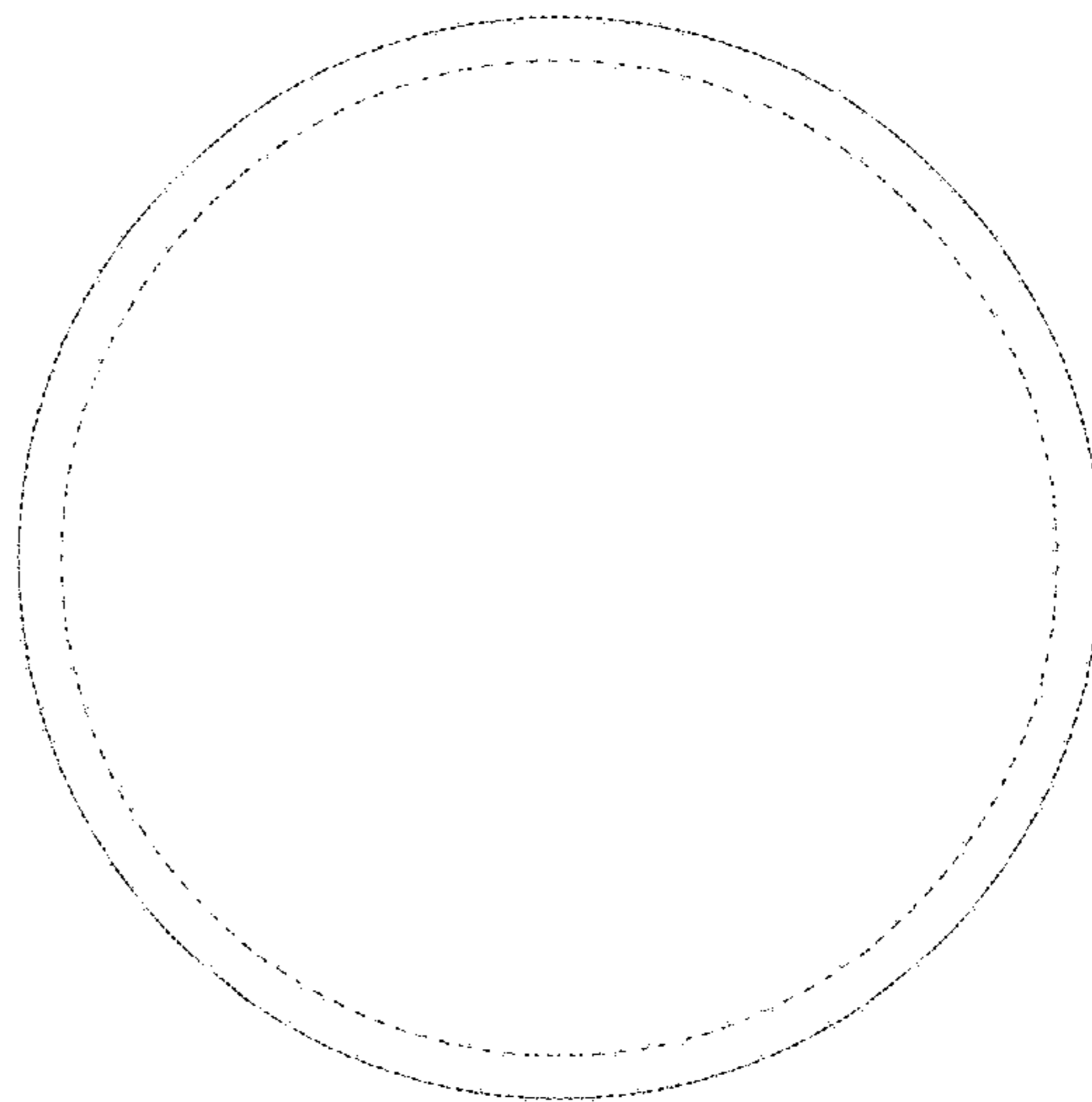


Fig. 16

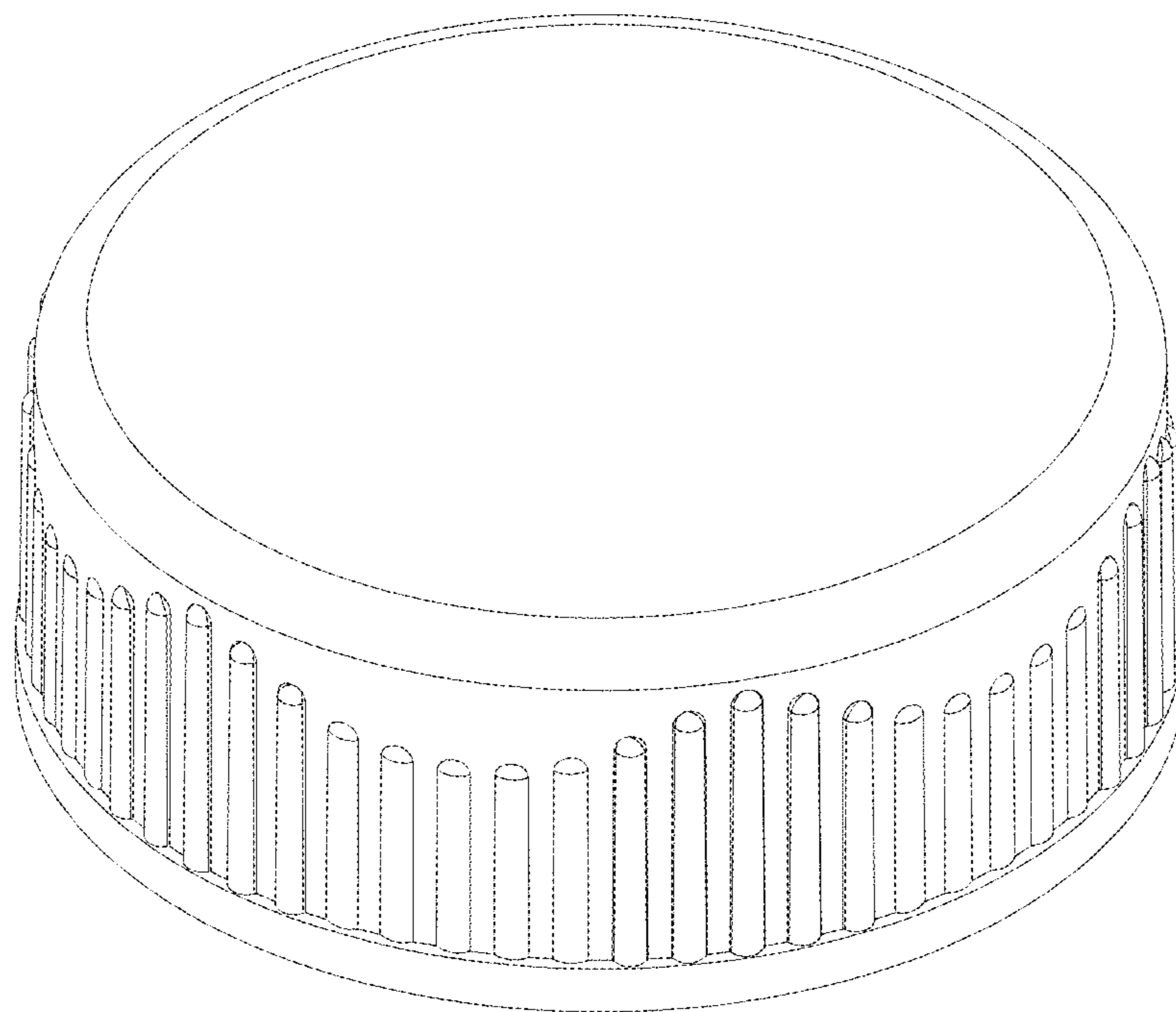


Fig. 17

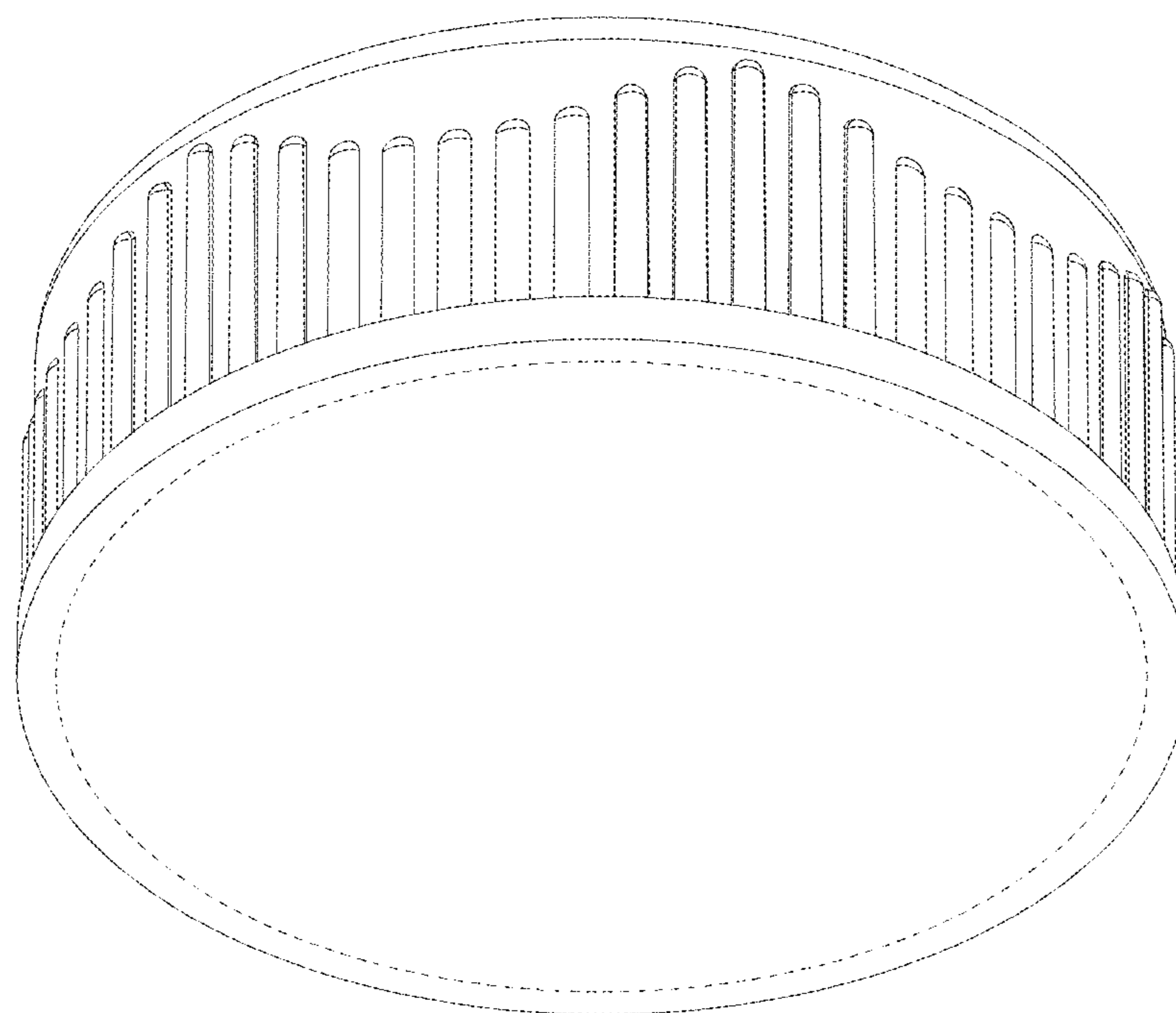


Fig. 18

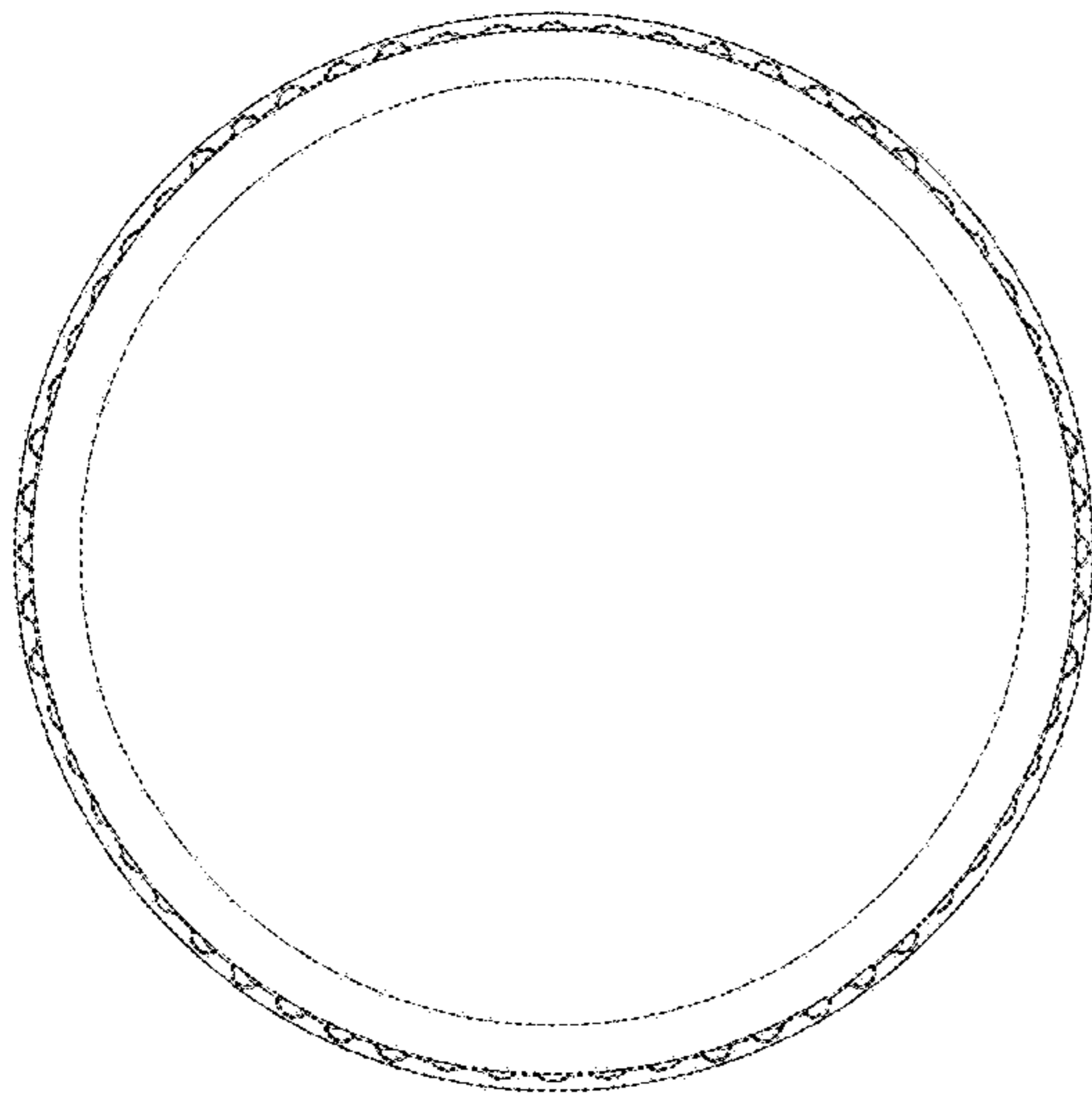


Fig. 19

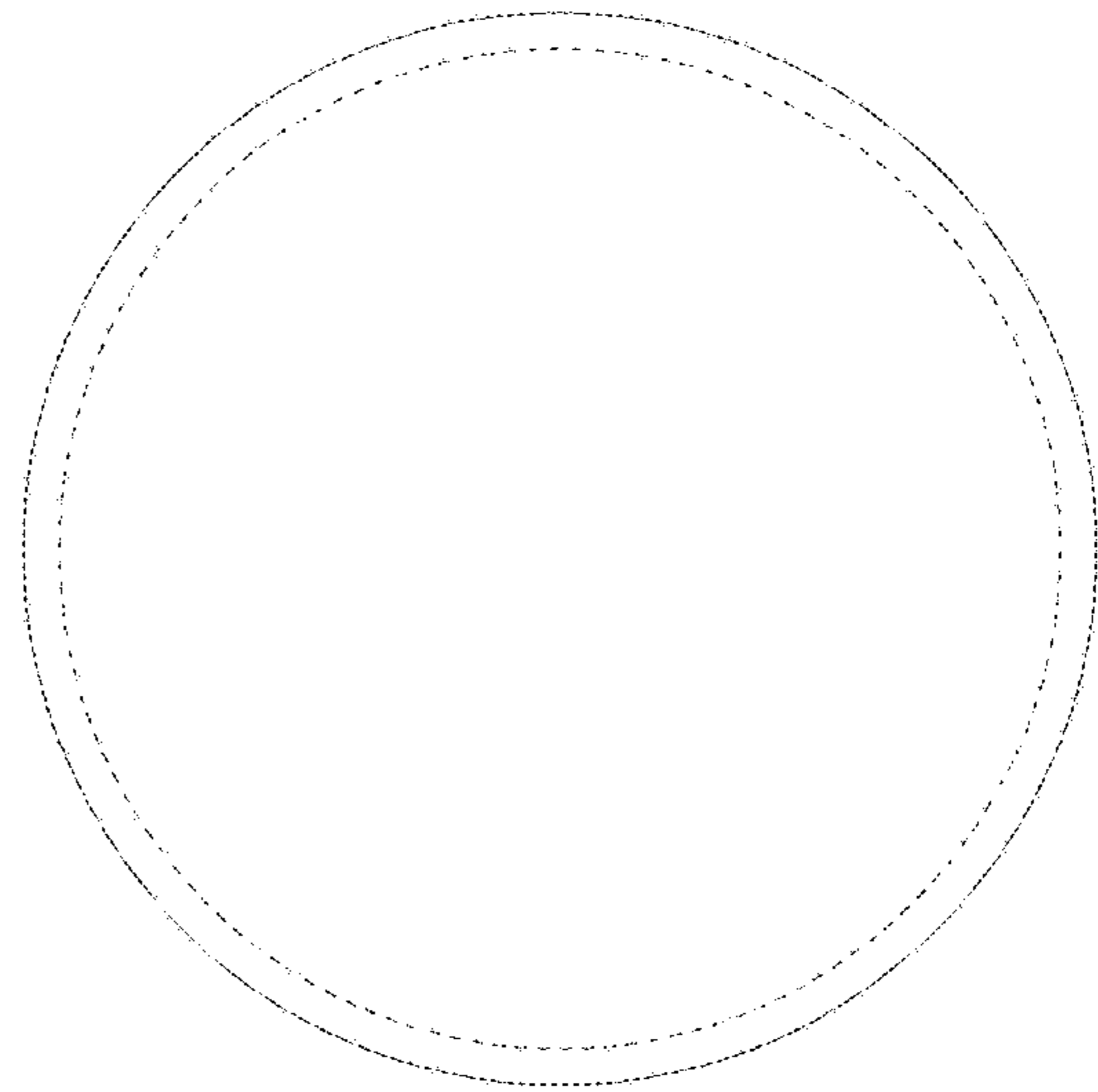


Fig. 20

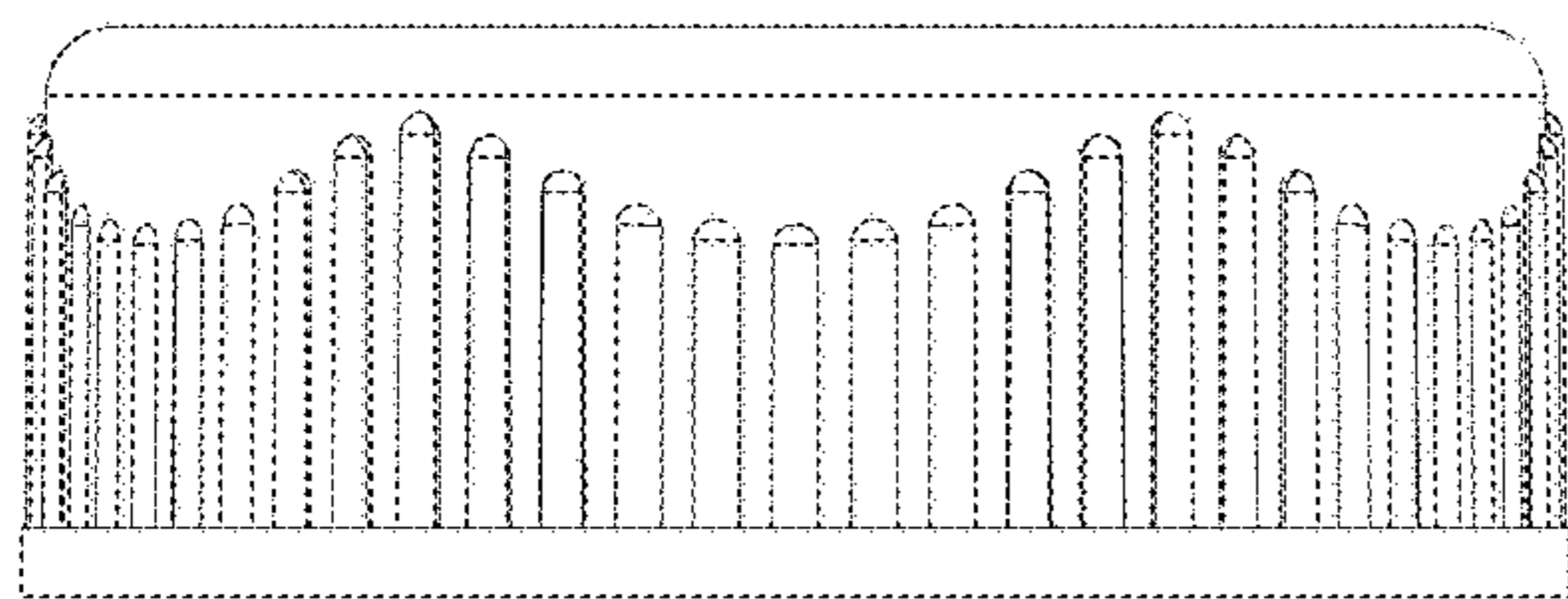


Fig. 21

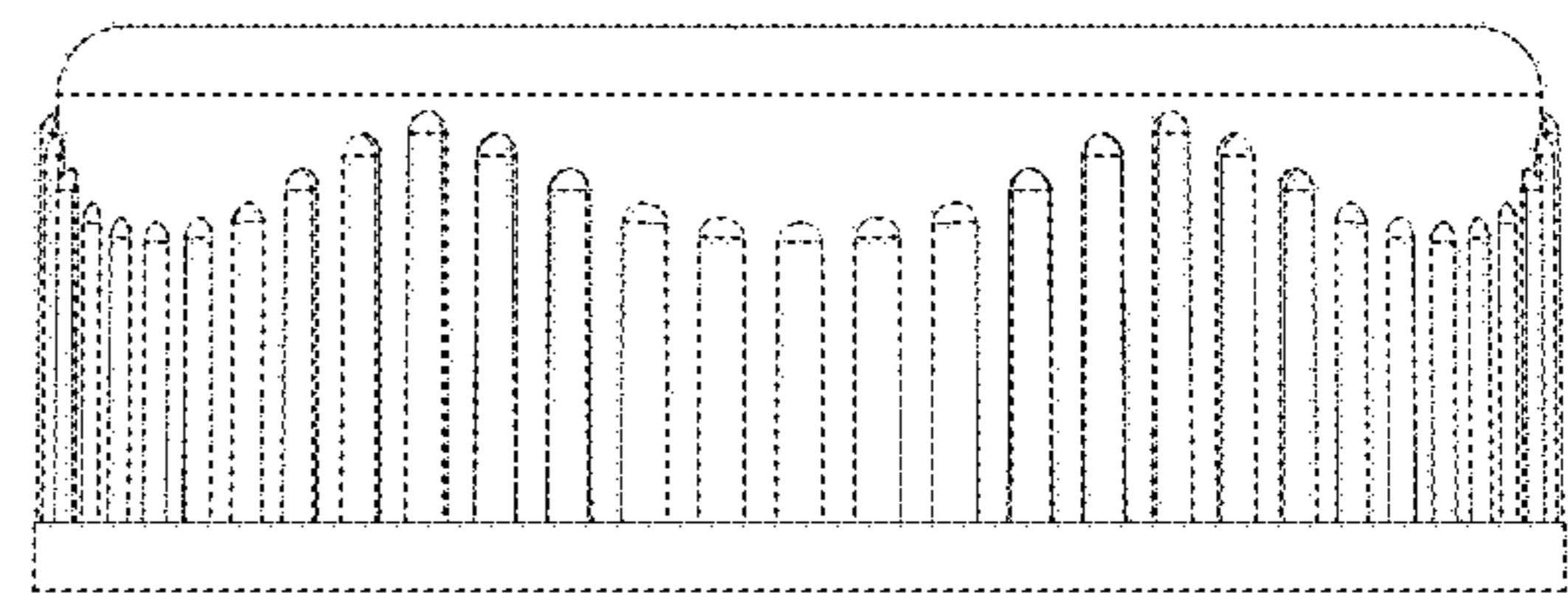


Fig. 22

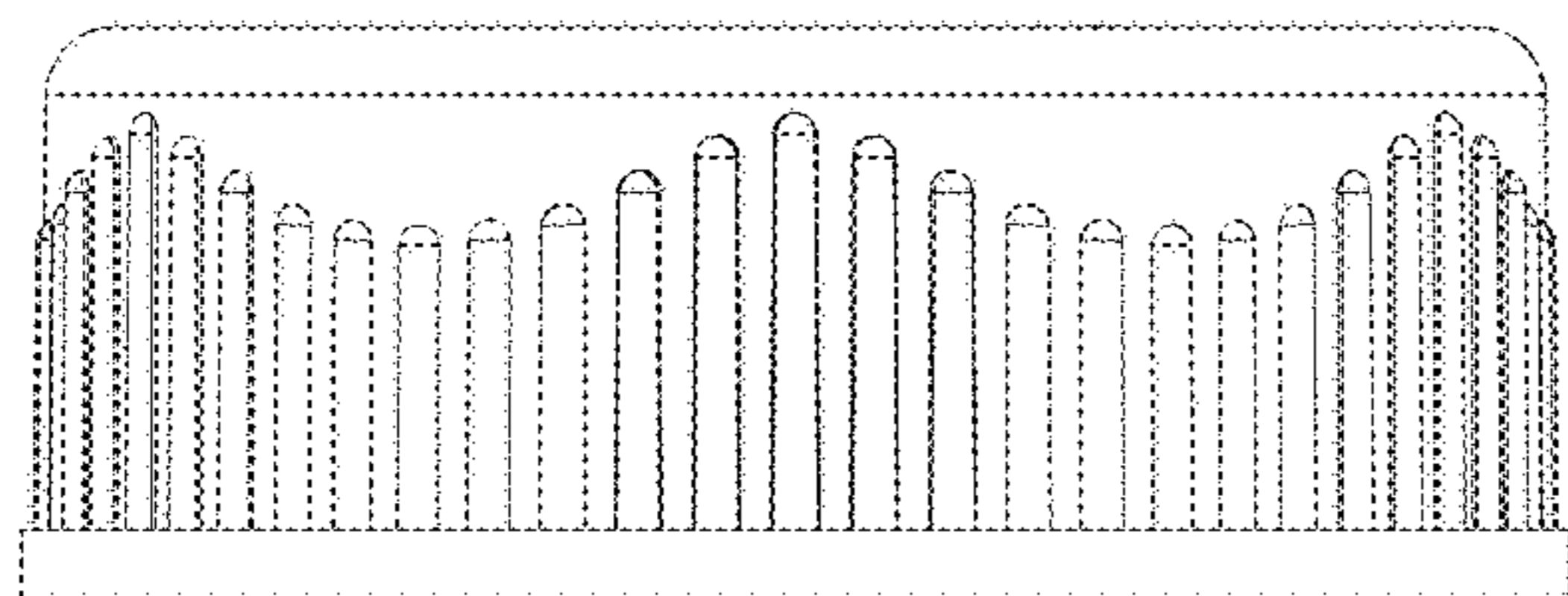


Fig. 23

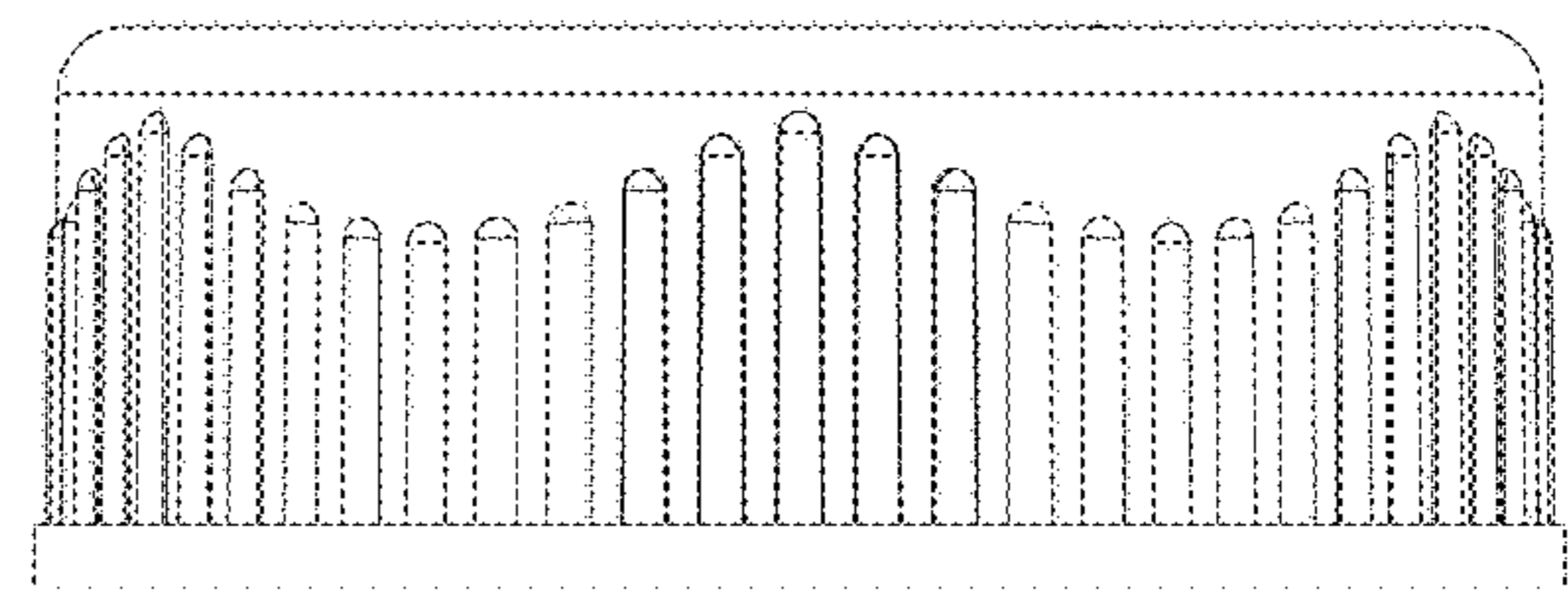


Fig. 24

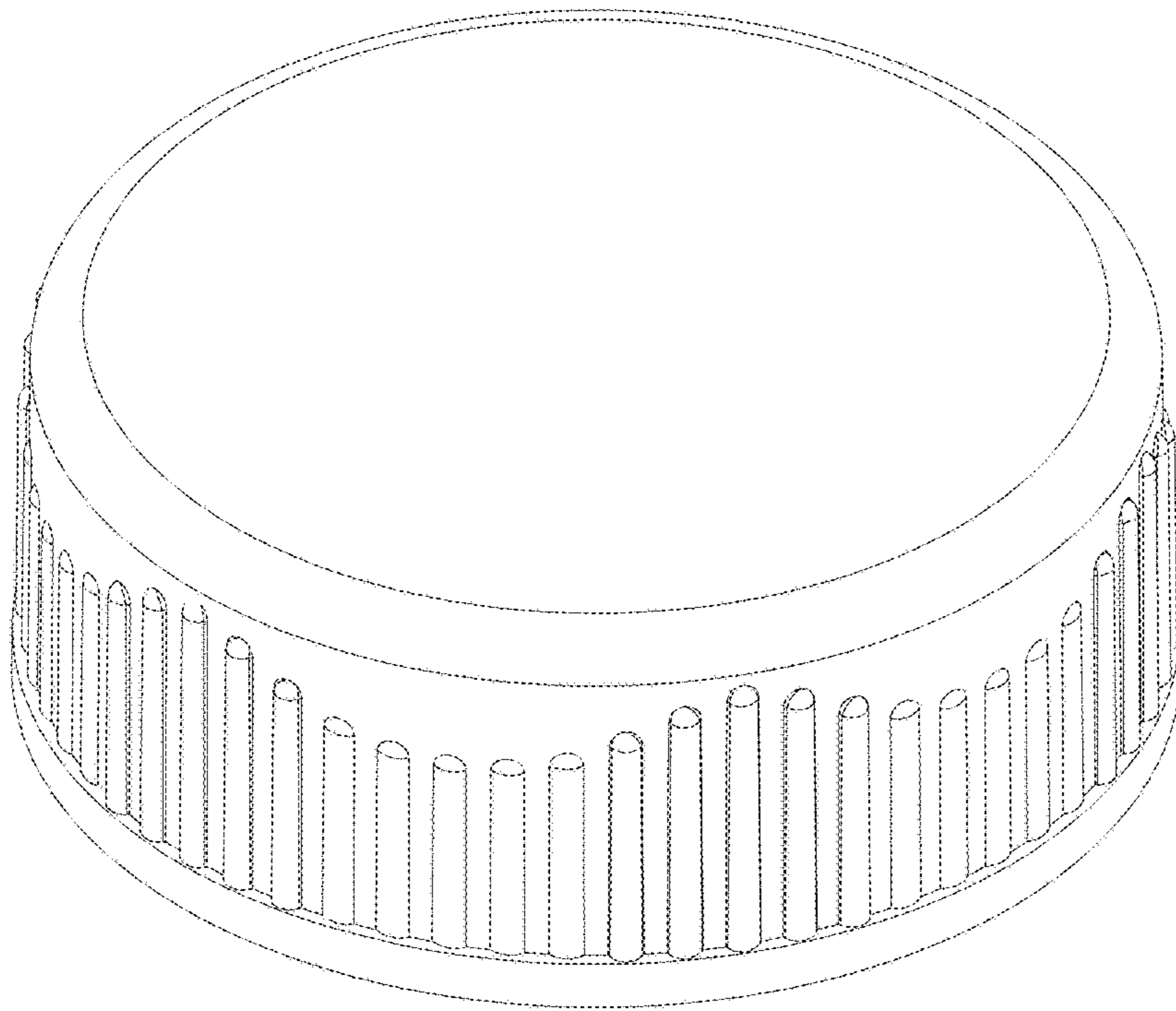


Fig. 25

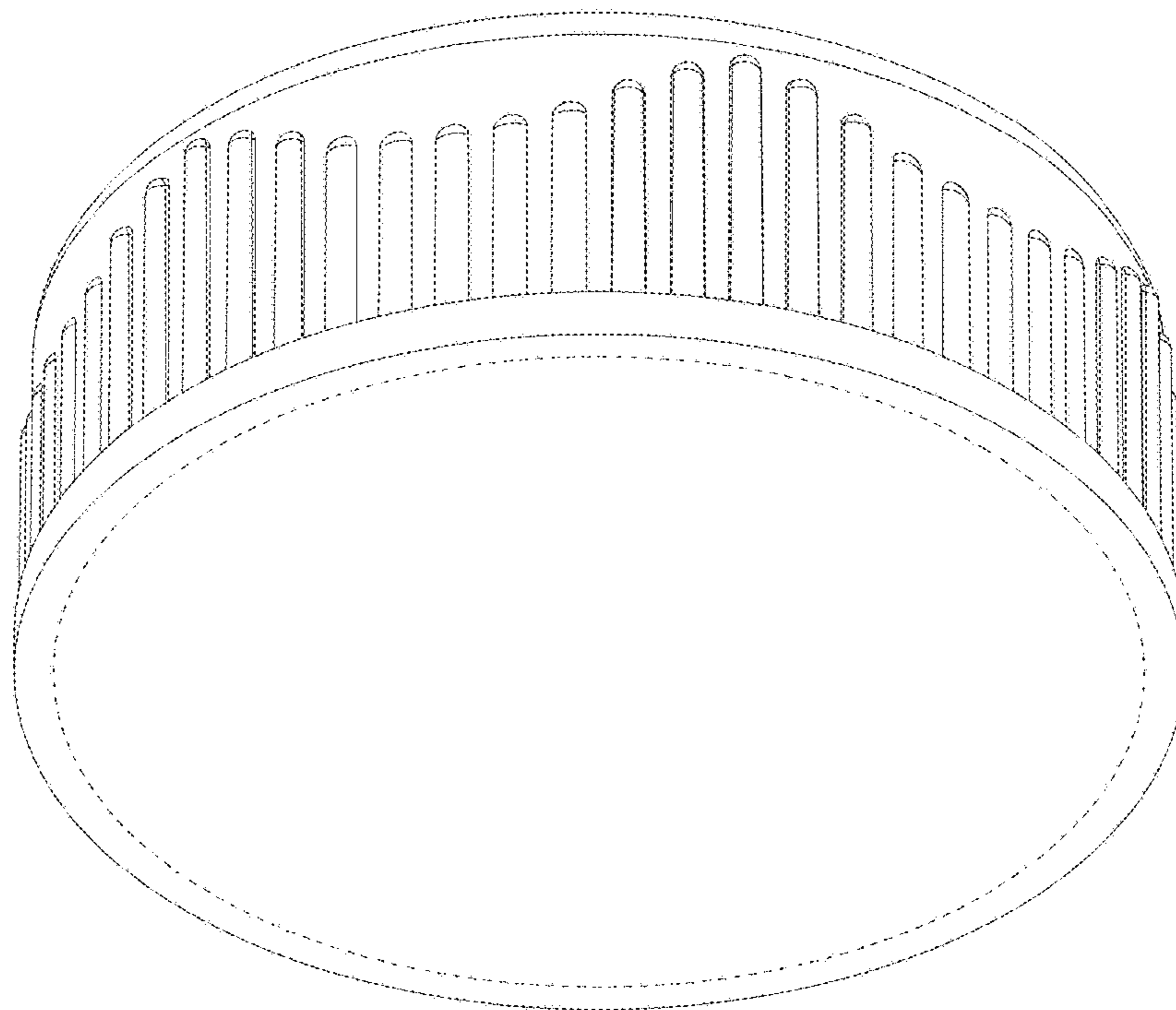


Fig. 26

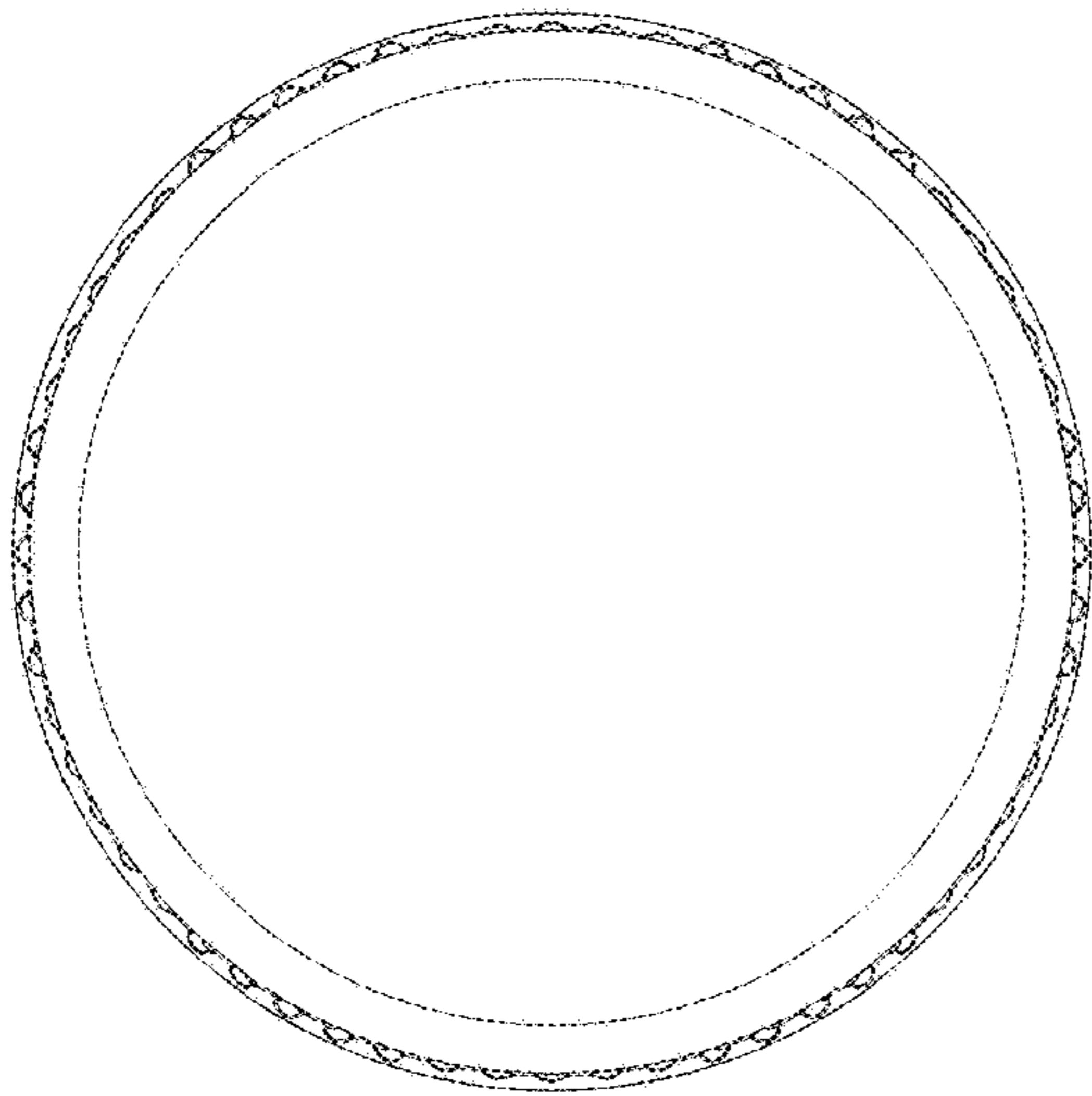


Fig. 27

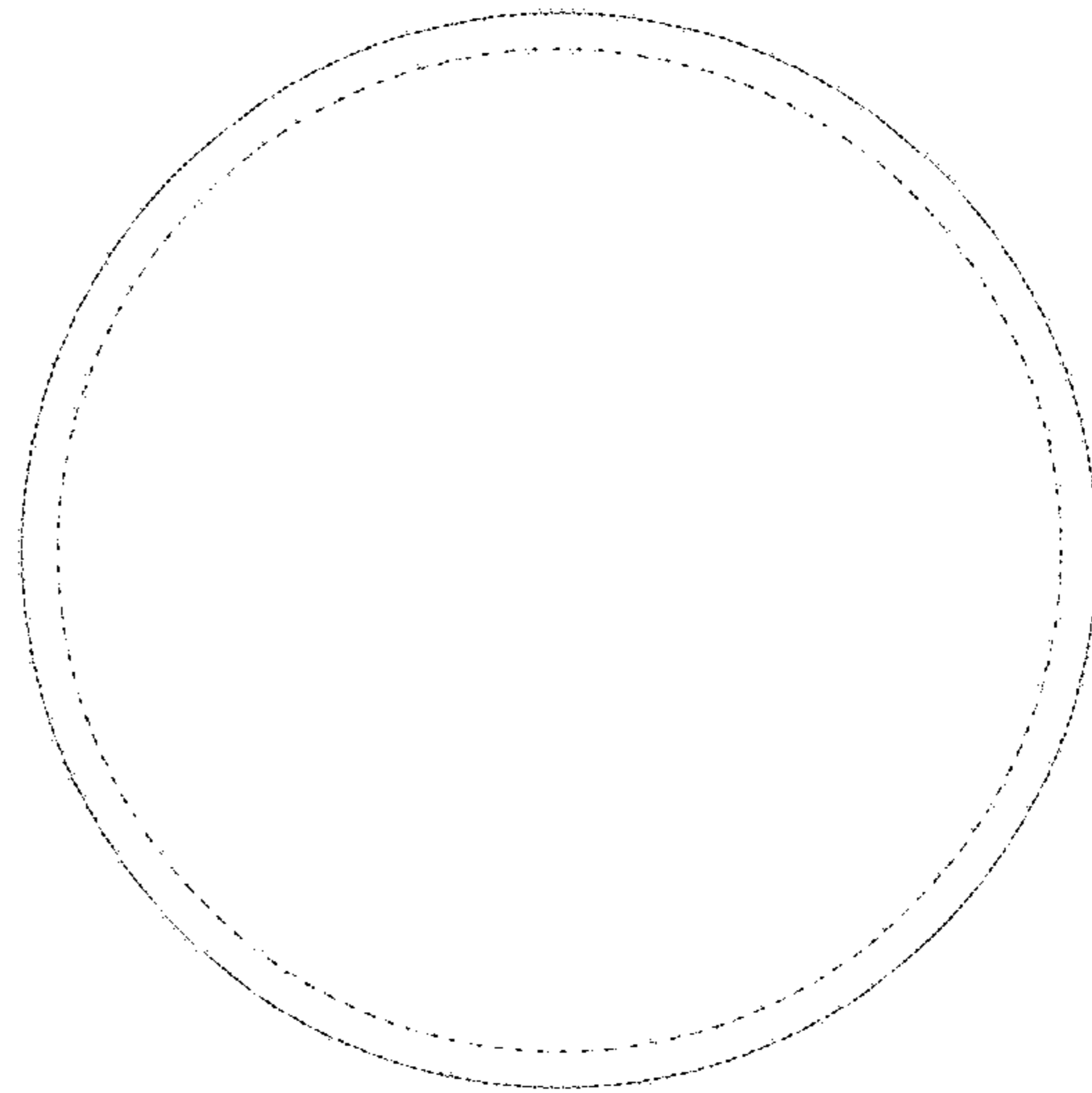


Fig. 28

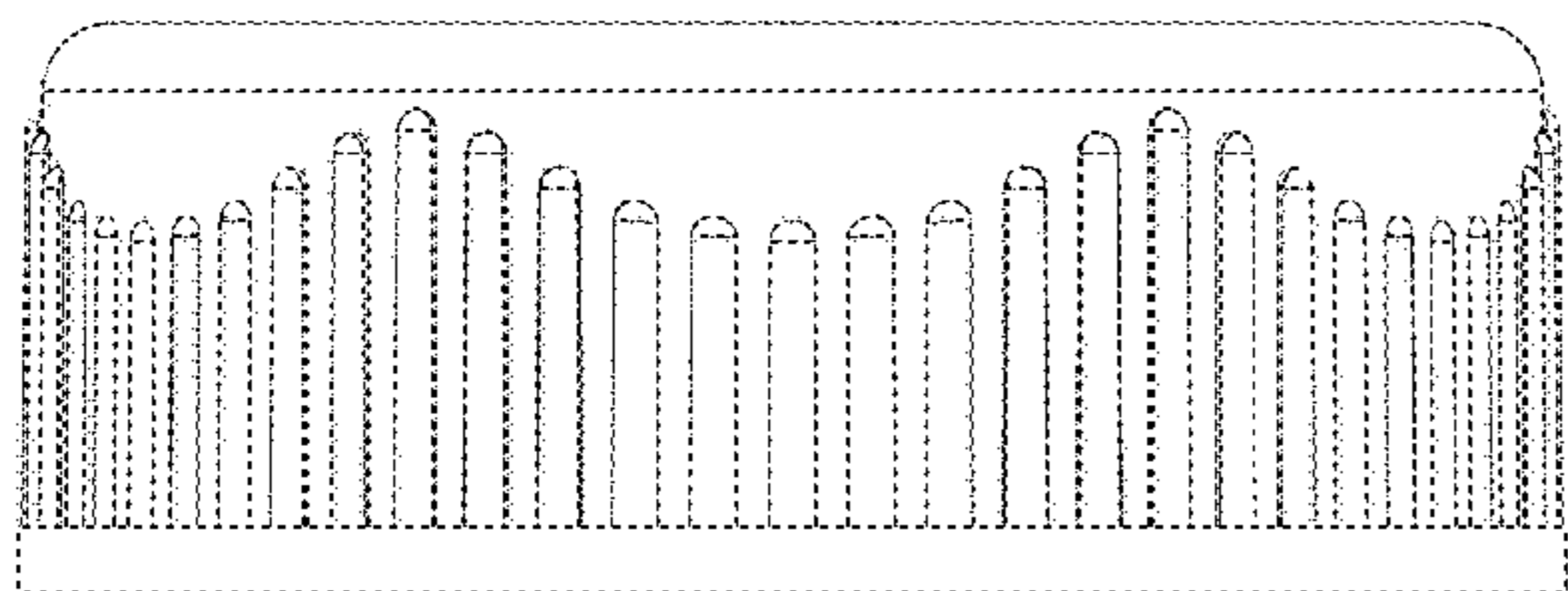


Fig. 29

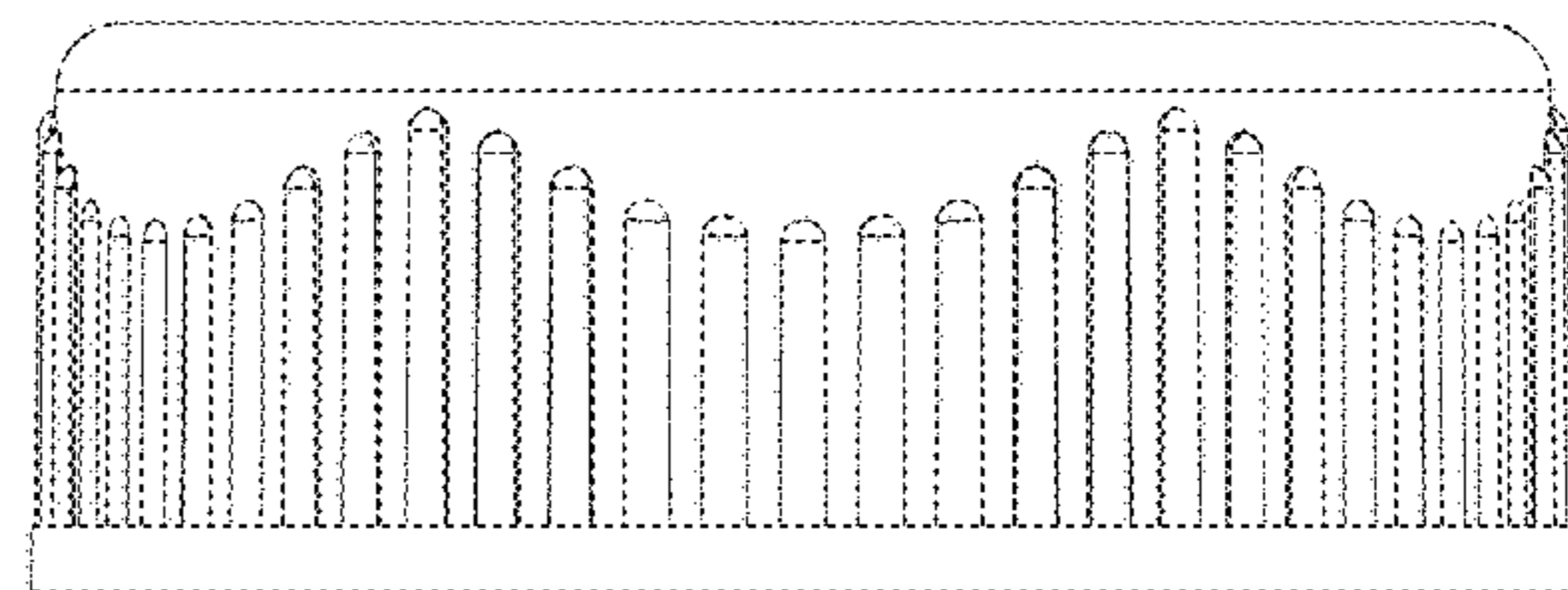


Fig. 30

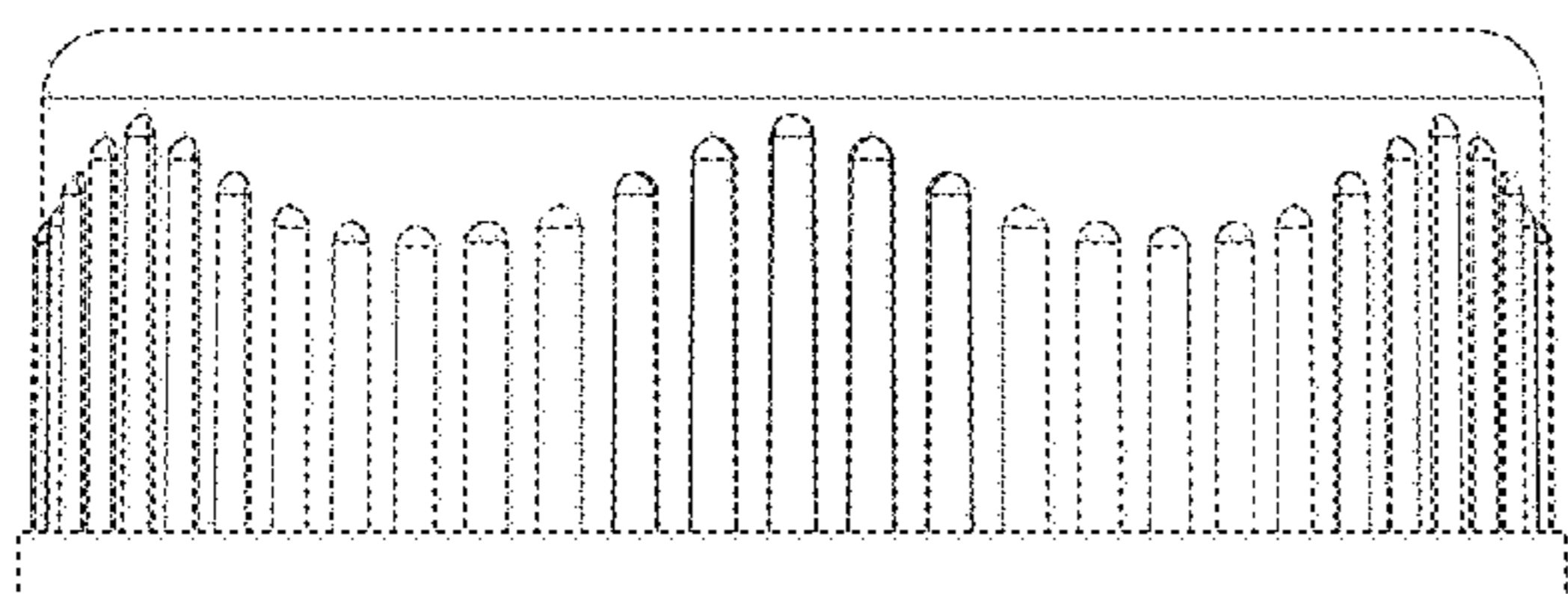


Fig. 31

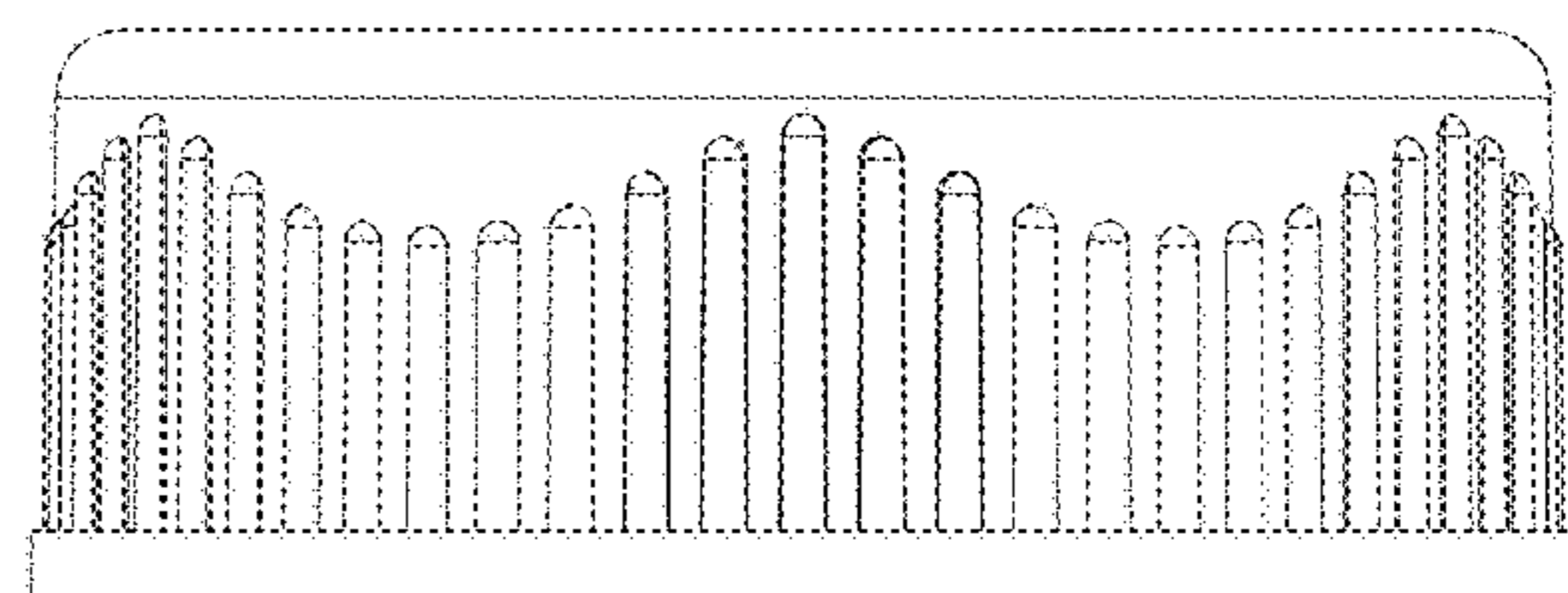


Fig. 32

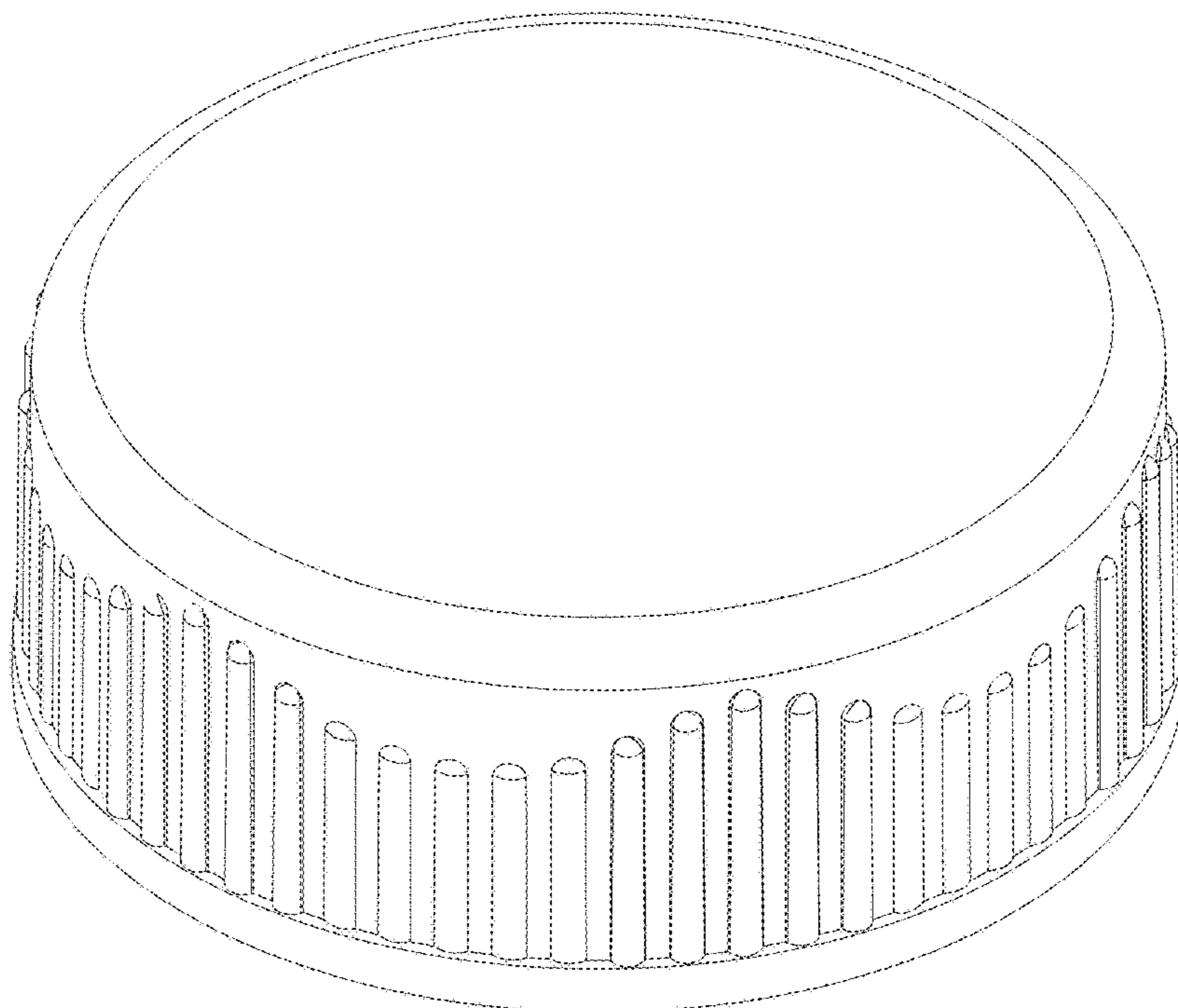


Fig. 33

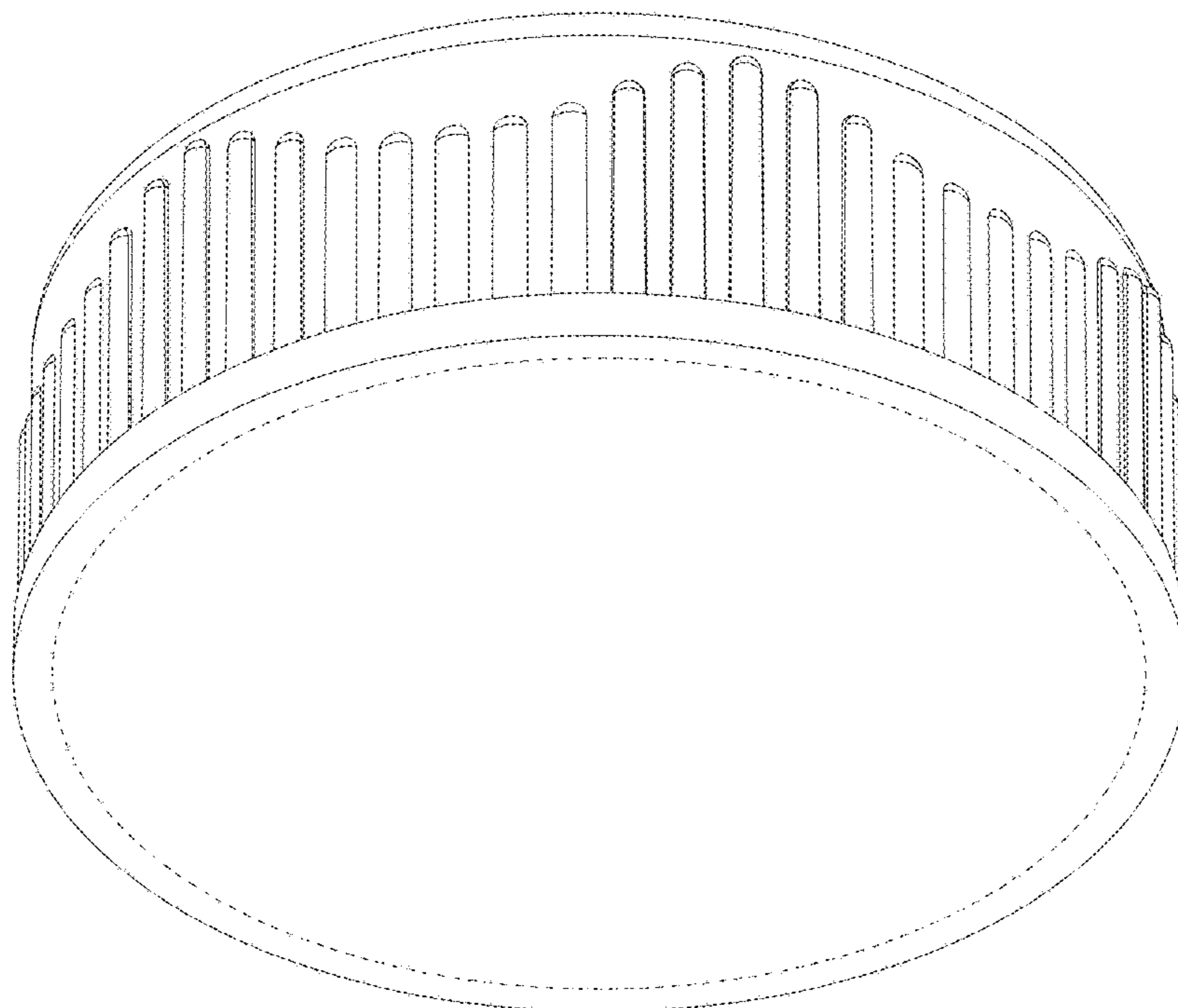


Fig. 34

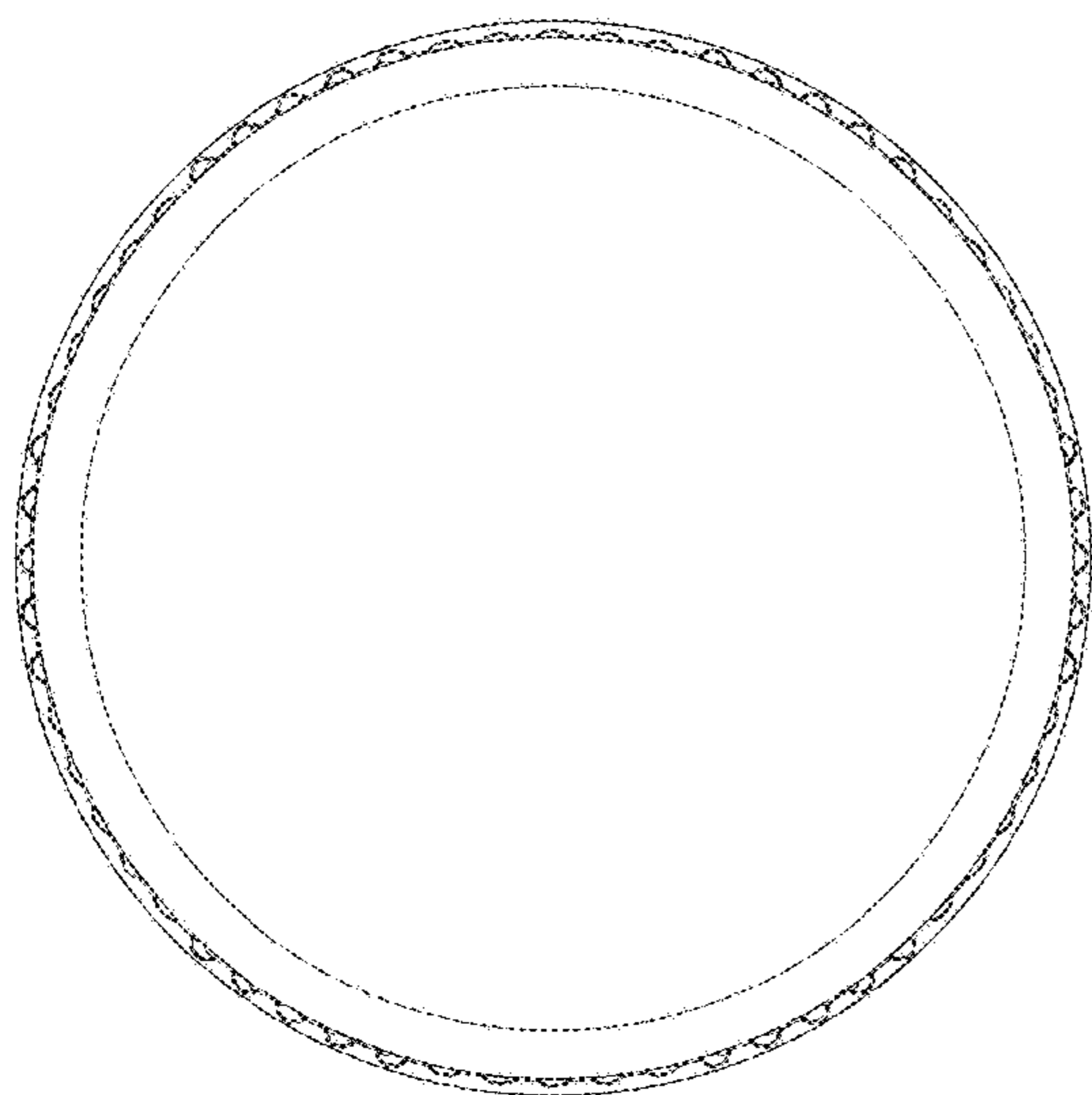


Fig. 35

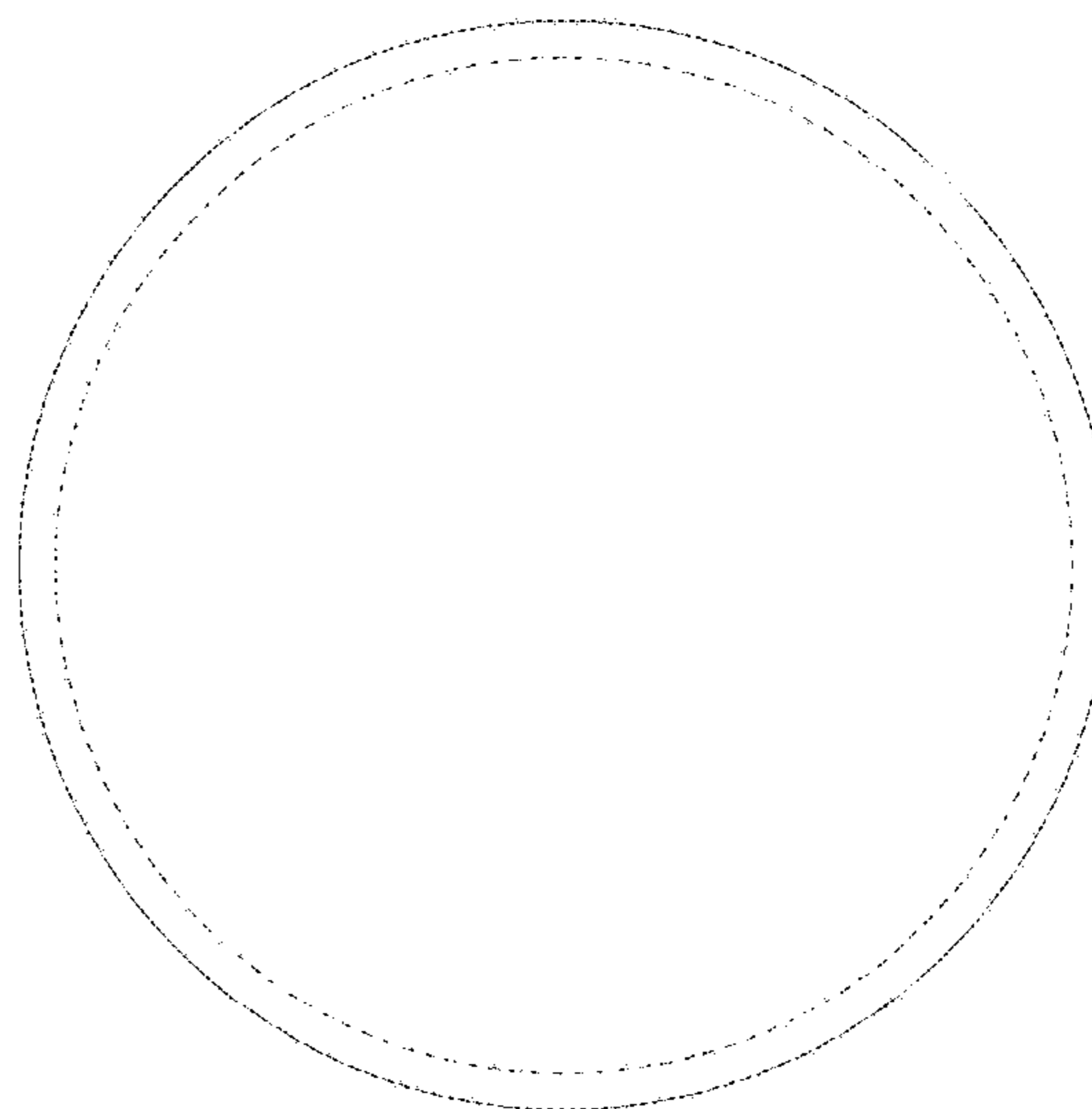


Fig. 36

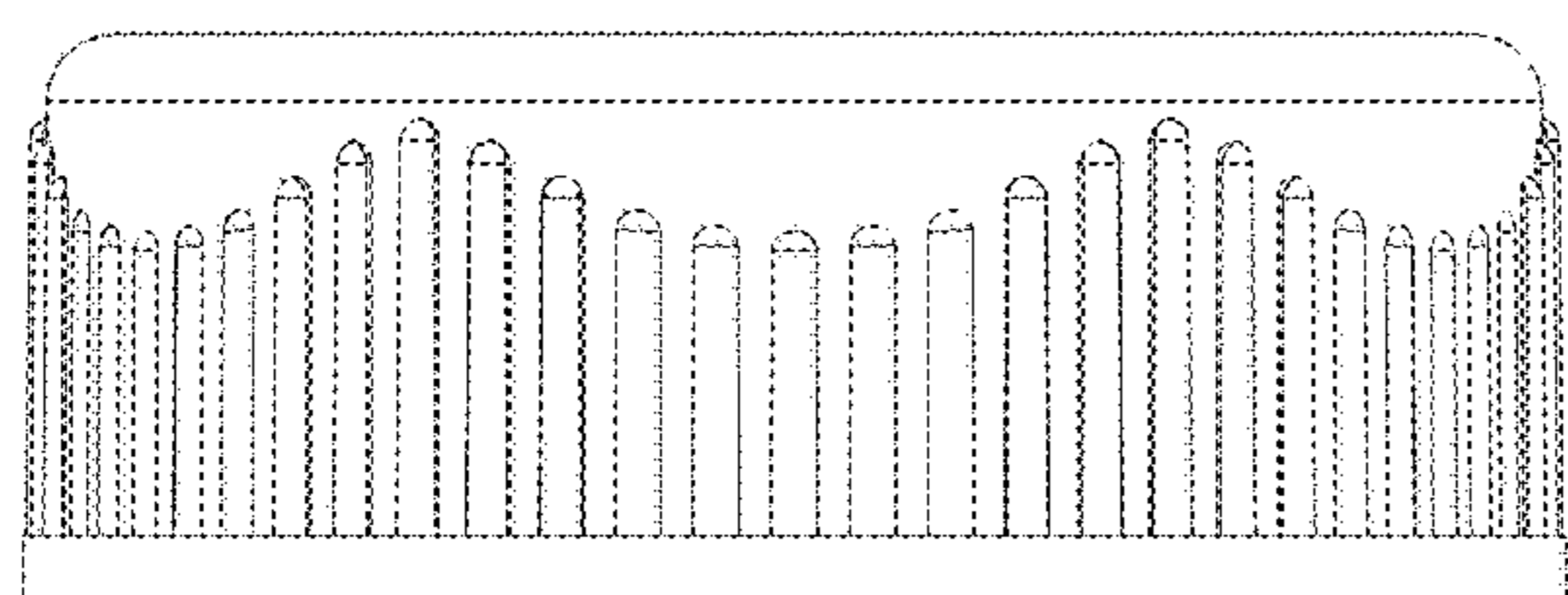


Fig. 37

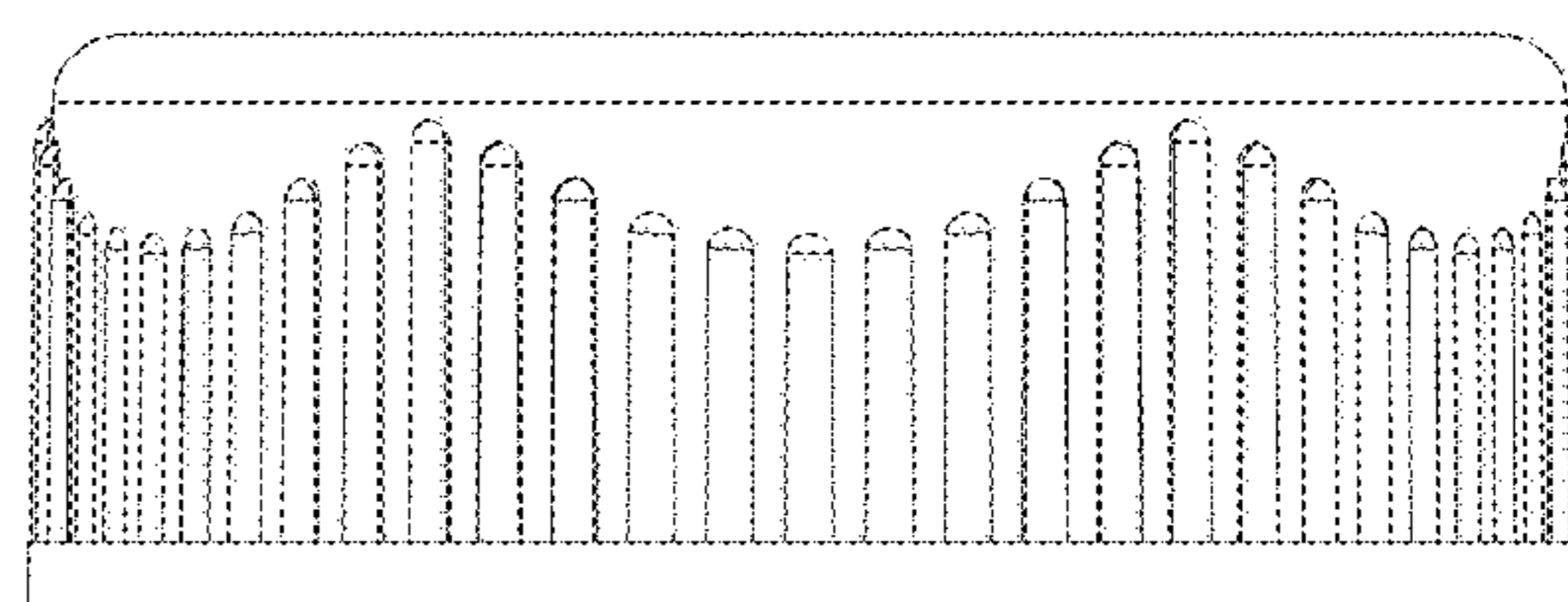


Fig. 38

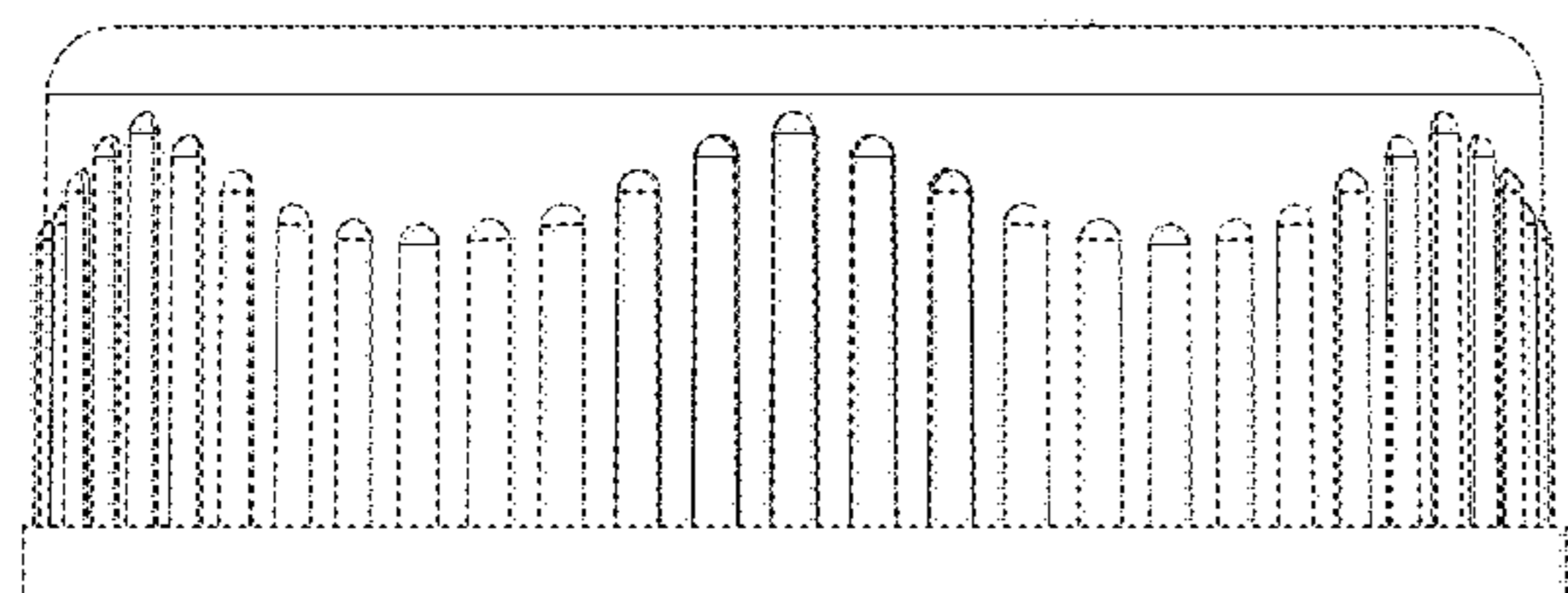


Fig. 39

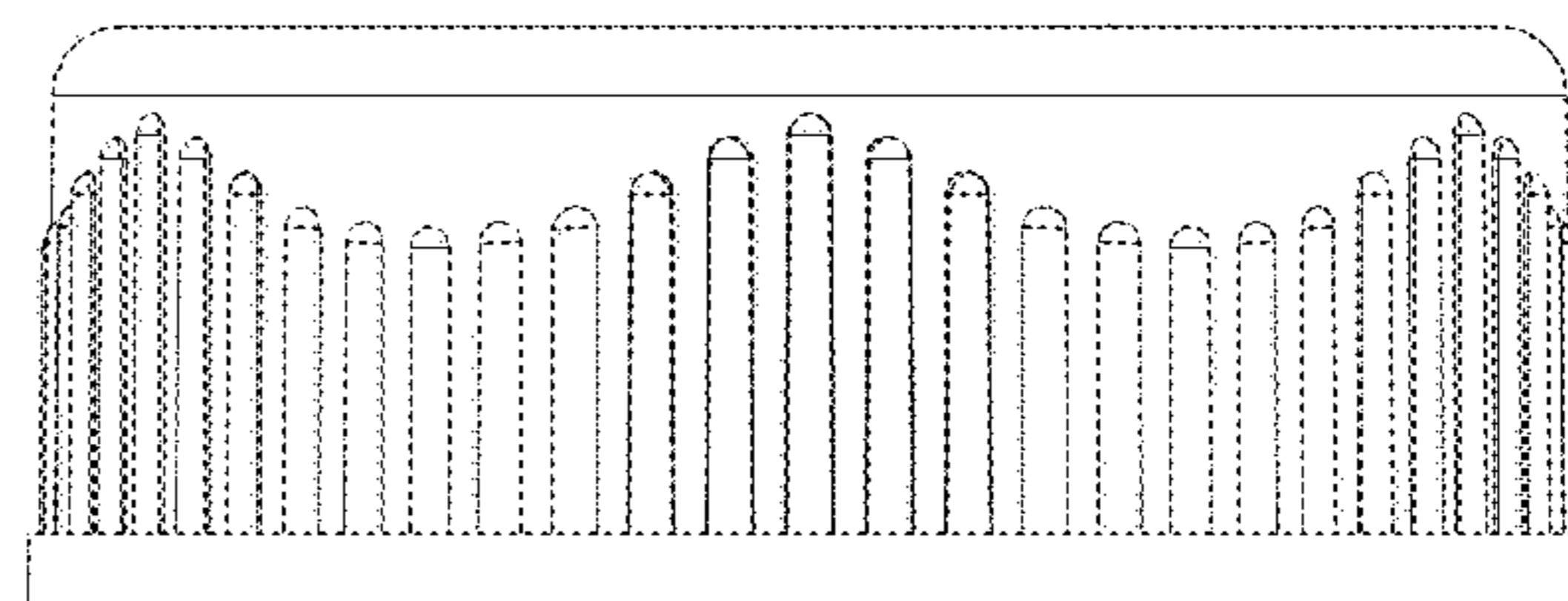


Fig. 40