



US00D778152S

(12) **United States Design Patent** (10) **Patent No.:** **US D778,152 S**
Middleton et al. (45) **Date of Patent:** **** *Feb. 7, 2017**

(54) **RECEPTACLE**

FOREIGN PATENT DOCUMENTS

(71) Applicant: **ABBOTT LABORATORIES**, Abbott Park, IL (US)

EP 2030908 3/2009
WO 2010141841 12/2010

(72) Inventors: **Jason Middleton**, Dublin, OH (US);
Spencer Beaufore, Dublin, OH (US);
Jeremy McBroom, Columbus, OH (US)

OTHER PUBLICATIONS

Zojirushi Mr.Bento Stainless Lunch Jar SL-NCE09 Instruction Manual, pp. 1-4.

(Continued)

(73) Assignee: **ABBOTT LABORATORIES**, Abbott Park, IL (US)

Primary Examiner — Vy Koenig

(*) Notice: This patent is subject to a terminal disclaimer.

(74) *Attorney, Agent, or Firm* — Calfee, Halter & Griswold LLP

(**) Term: **14 Years**

(57) **CLAIM**

We claim the ornamental design for a receptacle, as shown and described.

(21) Appl. No.: **29/522,201**

DESCRIPTION

(22) Filed: **Mar. 27, 2015**

(51) **LOC (10) Cl.** **09-03**

(52) **U.S. Cl.**
USPC **D9/424**

(58) **Field of Classification Search**
USPC D9/414, 424-432, 721, 456; D3/272,
D3/304-309, 315; D7/601-603, 612,
D7/619.1, 629
CPC B65D 5/00-5/02; B65D 5/0209-5/0272;
B65D 5/029; B65D 5/40; B65D
5/72; B65D 5/727

See application file for complete search history.

FIG. 1 is a front perspective view of a receptacle, with an exemplary lid, showing the new design;
FIG. 2 is a front perspective view of the receptacle of FIG. 1,
FIG. 3 is a top perspective view of the receptacle of FIG. 2,
FIG. 4 is a bottom perspective of the receptacle of FIG. 2,
FIG. 5 is an enlarged view of the designated circular area of FIG. 4;
FIG. 6 is a left side view of the receptacle of FIG. 2, the right side view being essentially a mirror image thereof;
FIG. 7 is a front view of the receptacle of FIG. 2, the rear view being essentially a mirror image thereof;
FIG. 8 is an enlarged view of the designated circular area of FIG. 7;
FIG. 9 is a top view of the receptacle of FIG. 2; and,
FIG. 10 is a bottom view of the receptacle of FIG. 2.
The broken lines in the drawings depict environmental features of the receptacle that form no part of the claimed design.

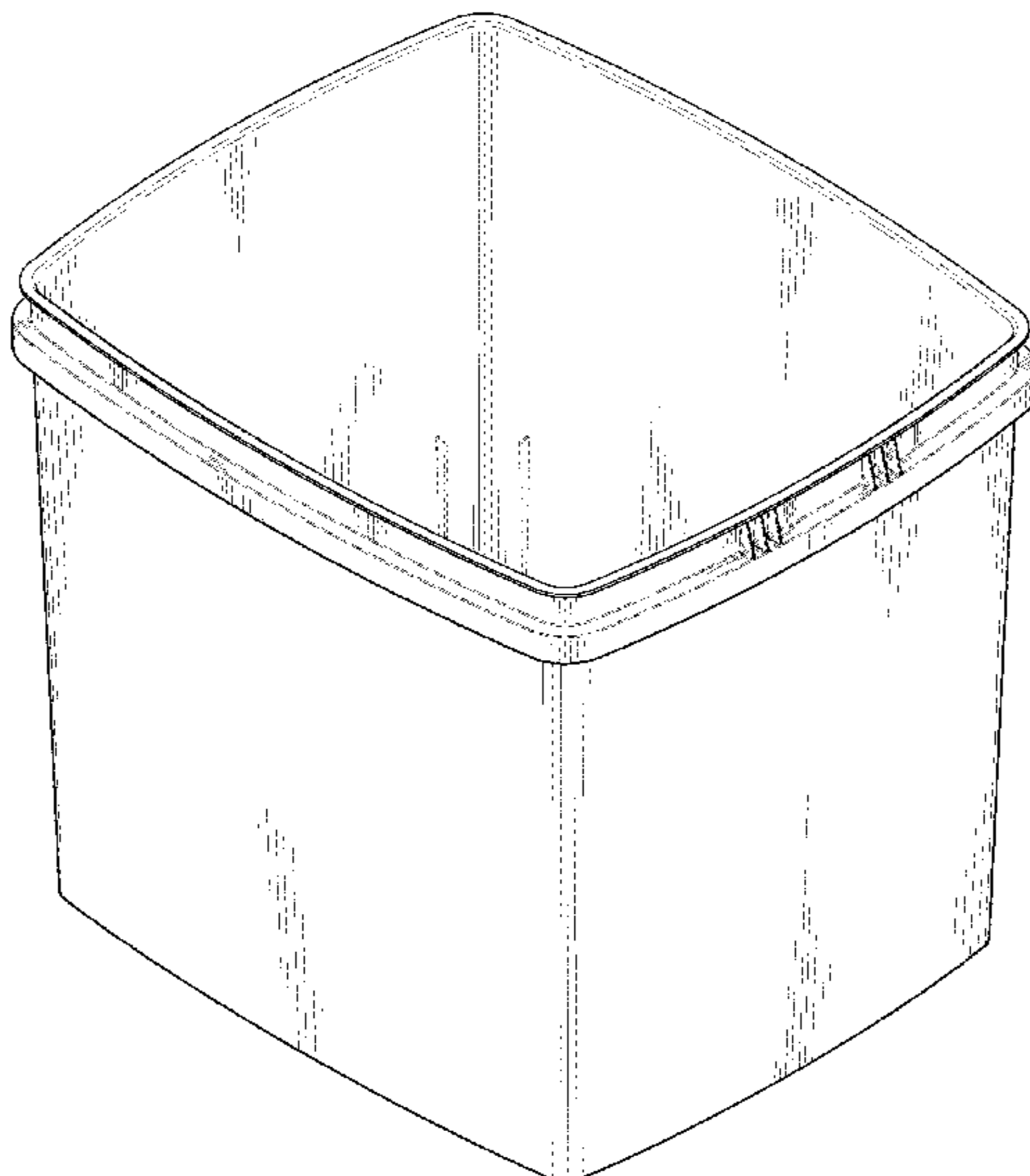
(56) **References Cited**

U.S. PATENT DOCUMENTS

2,780,259 A * 2/1957 Nalle, Jr. 220/780
D197,243 S 12/1963 Ernest
D205,150 S 6/1966 Cornwell

(Continued)

1 Claim, 8 Drawing Sheets



(56)

References Cited

U.S. PATENT DOCUMENTS

D285,906 S * 9/1986 Tyler D9/425
 D308,340 S 6/1990 Llsen
 D311,334 S 10/1990 Flynn
 D326,391 S 5/1992 Verchere
 D329,930 S 9/1992 Delmerico
 D336,017 S * 6/1993 Smith D7/629
 D342,609 S 12/1993 Brightbill
 D351,090 S 10/1994 Narsutis
 D360,898 S 8/1995 Huerto
 D372,401 S 8/1996 Lillelund
 5,718,350 A 2/1998 Williams
 D416,797 S * 11/1999 Rabe D9/431
 D418,055 S * 12/1999 Veto D9/425
 D441,599 S 5/2001 Garber
 D451,765 S 12/2001 Israel
 D473,789 S * 4/2003 Crawford D9/430
 D484,797 S 1/2004 Kipperman
 D493,073 S 7/2004 Kim
 D540,039 S * 4/2007 van Beuningen D3/304
 D547,177 S * 7/2007 Sherman D9/425
 D553,980 S * 10/2007 VerWeyst D9/432
 7,350,789 B2 4/2008 Uffner
 D576,035 S 9/2008 Perry
 D595,128 S * 6/2009 Bouveret D7/545
 D620,746 S 8/2010 Hsiao
 D630,900 S * 1/2011 Samartgis D7/602
 D645,748 S 9/2011 Sharma
 D649,839 S 12/2011 Stamper
 D654,690 S 2/2012 Sofy
 D667,699 S 9/2012 Brockington
 D669,778 S * 10/2012 Houlton D9/425
 D675,477 S 2/2013 McGrath
 D676,739 S 2/2013 McGrath
 D682,045 S 5/2013 Myoung
 D682,046 S 5/2013 Myoung
 D682,047 S 5/2013 Myoung

8,511,499 B2 8/2013 Perry et al.
 D697,762 S * 1/2014 Carlson D7/602
 D702,509 S * 4/2014 Segal D7/629
 D719,731 S 12/2014 Burgess
 D732,879 S 6/2015 Miles
 D733,320 S 6/2015 Perry
 D741,665 S 10/2015 Bagley
 2006/0076352 A1 * 4/2006 Peterson B65D 43/0212
 220/254.3
 2008/0041861 A1 2/2008 Crawford et al.
 2010/0308065 A1 12/2010 Vandamme et al.
 2011/0192847 A1 8/2011 Vandamme et al.
 2011/0315686 A1 12/2011 Siddiqui et al.
 2012/0000925 A1 1/2012 Dols et al.
 2012/0061413 A1 3/2012 Dols et al.
 2014/0097183 A1 4/2014 McGrath et al.

OTHER PUBLICATIONS

Notice of Allowance from U.S. Appl. No. 29/507,751 dated Jul. 14, 2016.
 Notice of Allowance from from U.S. Appl. No. 29/507,750 dated Jul. 15, 2016.
 Response to Restriction Requirement from from U.S. Appl. No. 29/507,752 dated Jul. 18, 2016.
 Ex Parte Quayle Office Action from U.S. Appl. No. 29/507,752 dated Jul. 29, 2016.
 Restriction Requirement from from U.S. Appl. No. 29/507,751 dated Dec. 1, 2015.
 Response to Restriction Requirement from from U.S. Appl. No. 29/507,751 dated Feb. 1, 2016.
 Notice of Allowance from U.S. Appl. No. 29/507,751 dated Feb. 18, 2016.
 Restriction Requirement from from U.S. Appl. No. 29/507,750 dated Mar. 2, 2016.

* cited by examiner

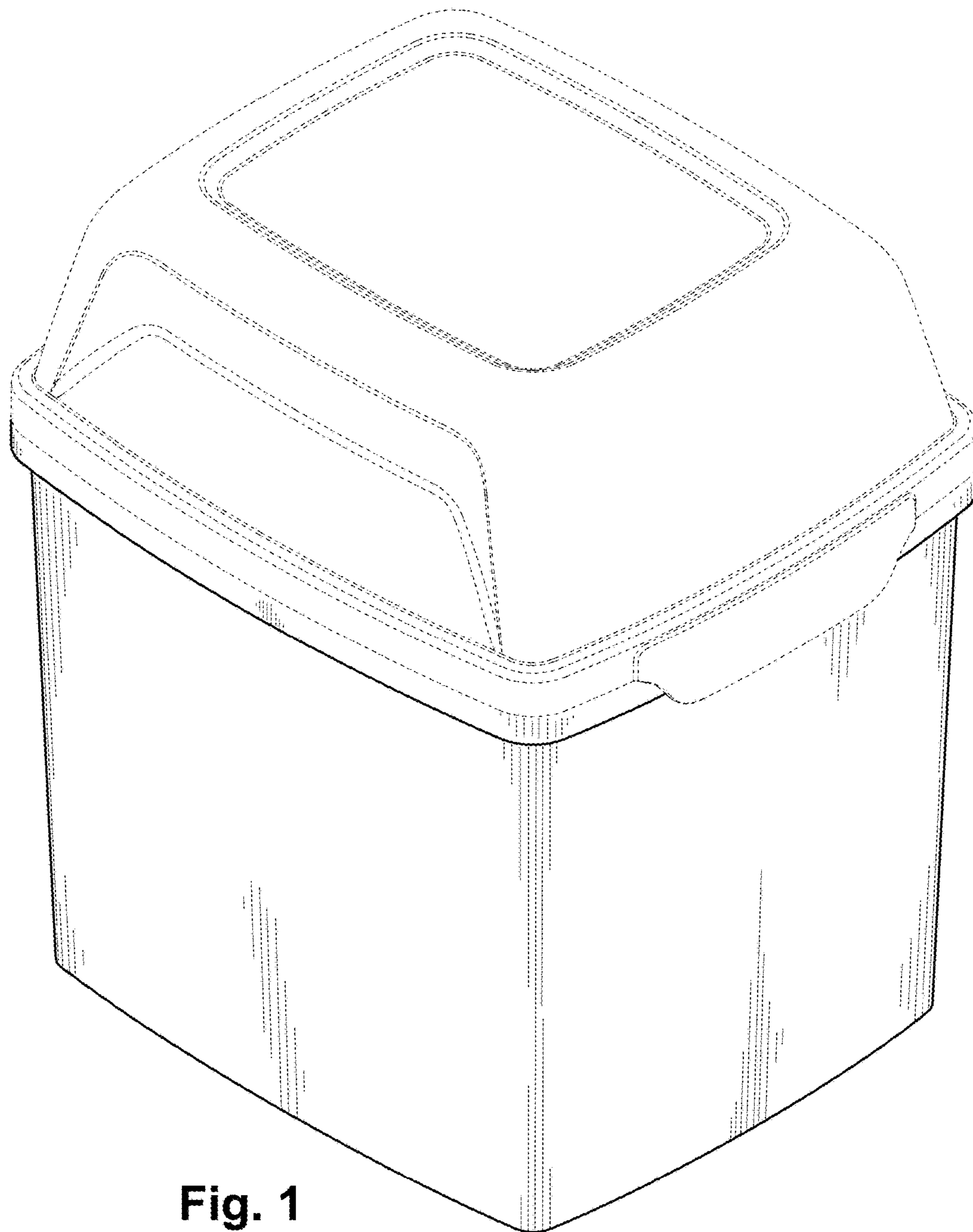


Fig. 1

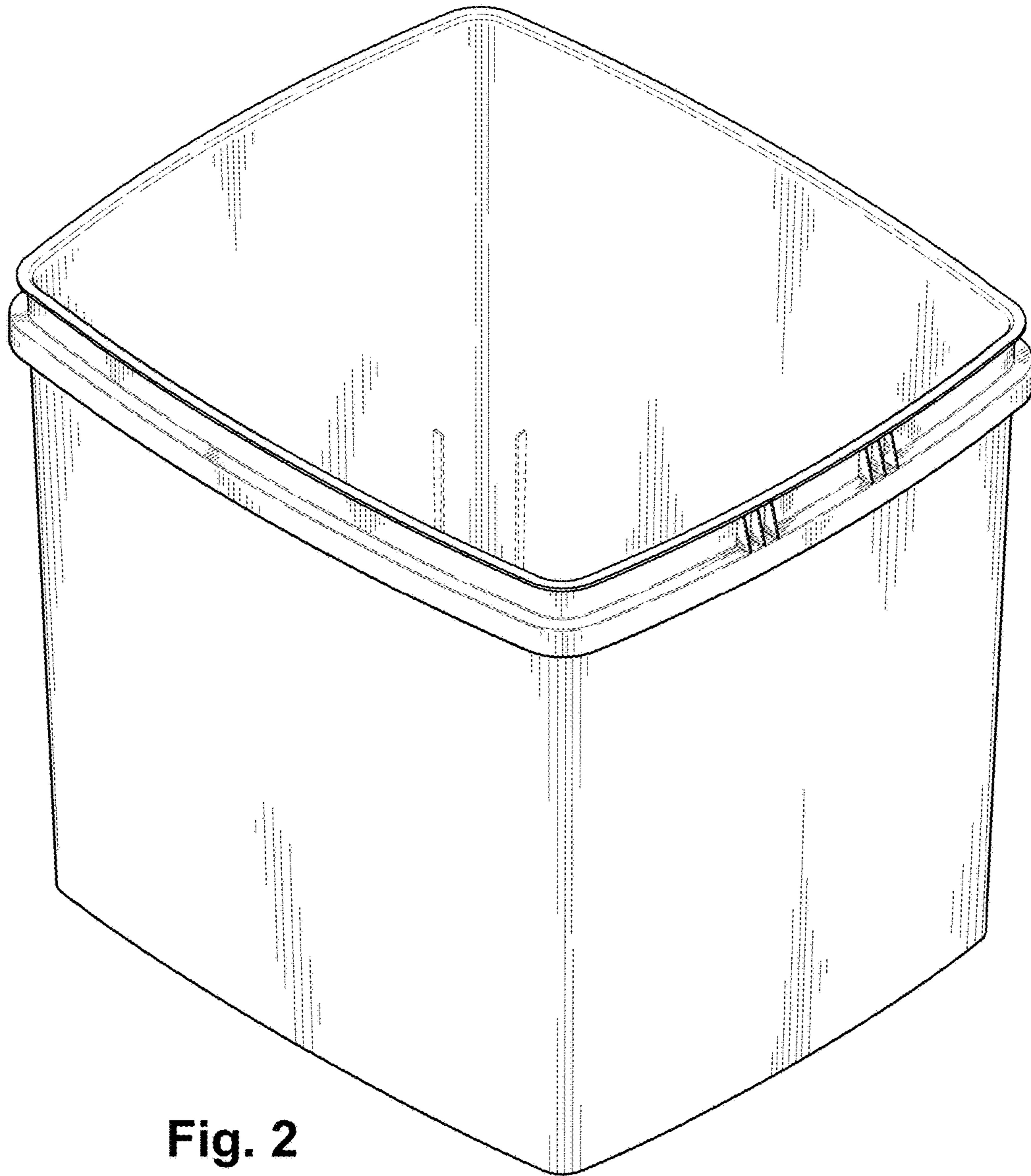


Fig. 2

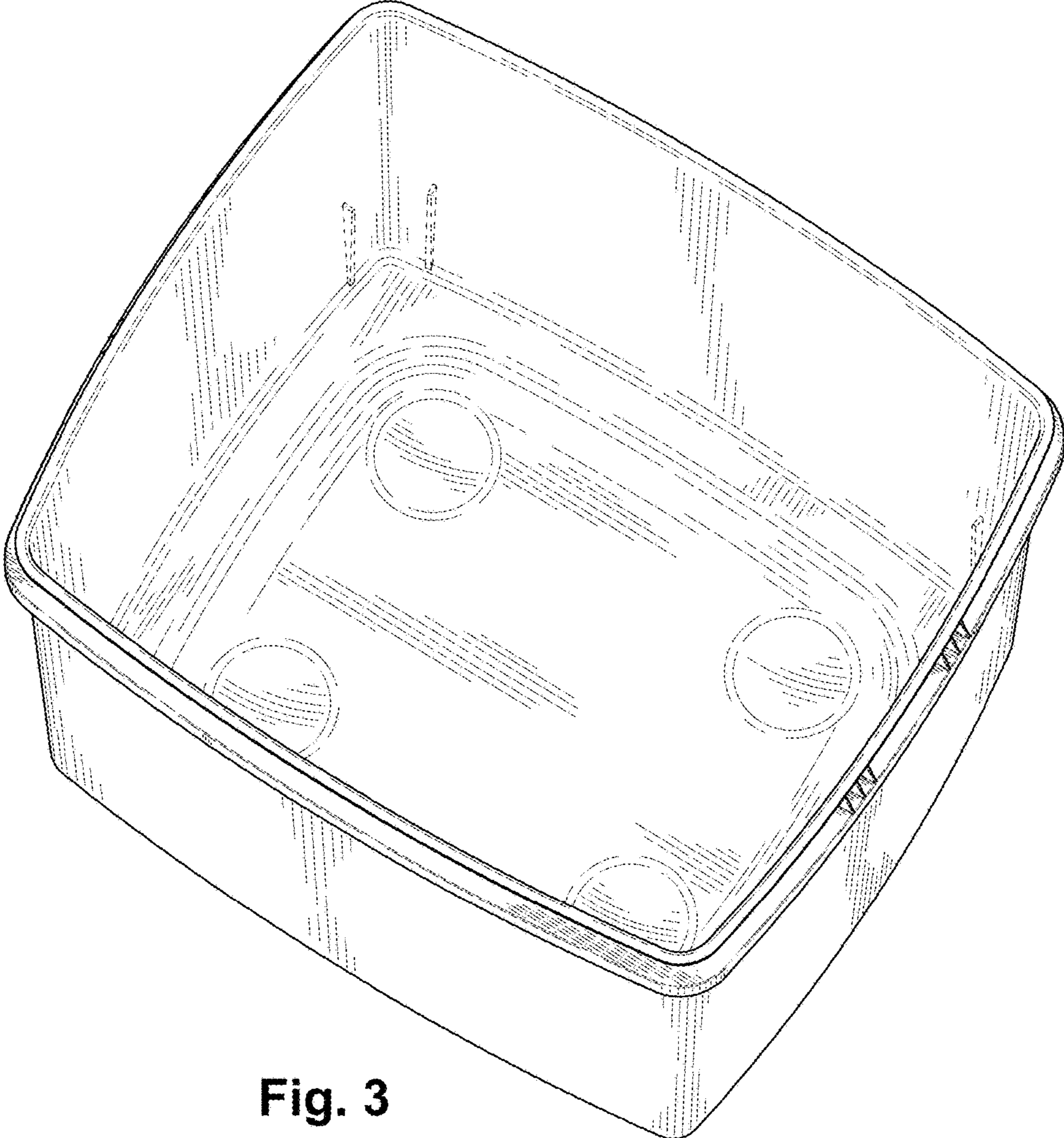


Fig. 3

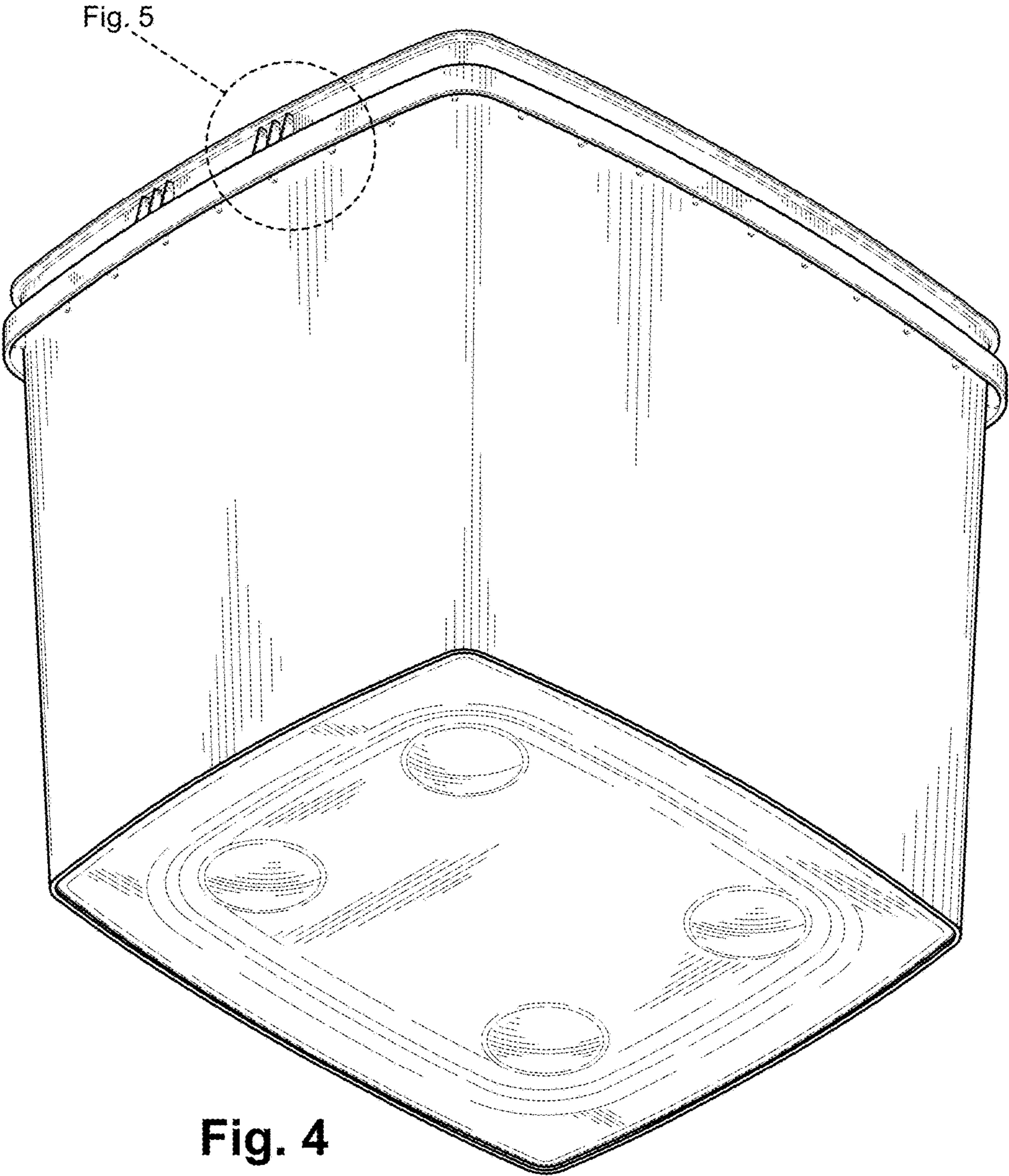


Fig. 5

Fig. 4

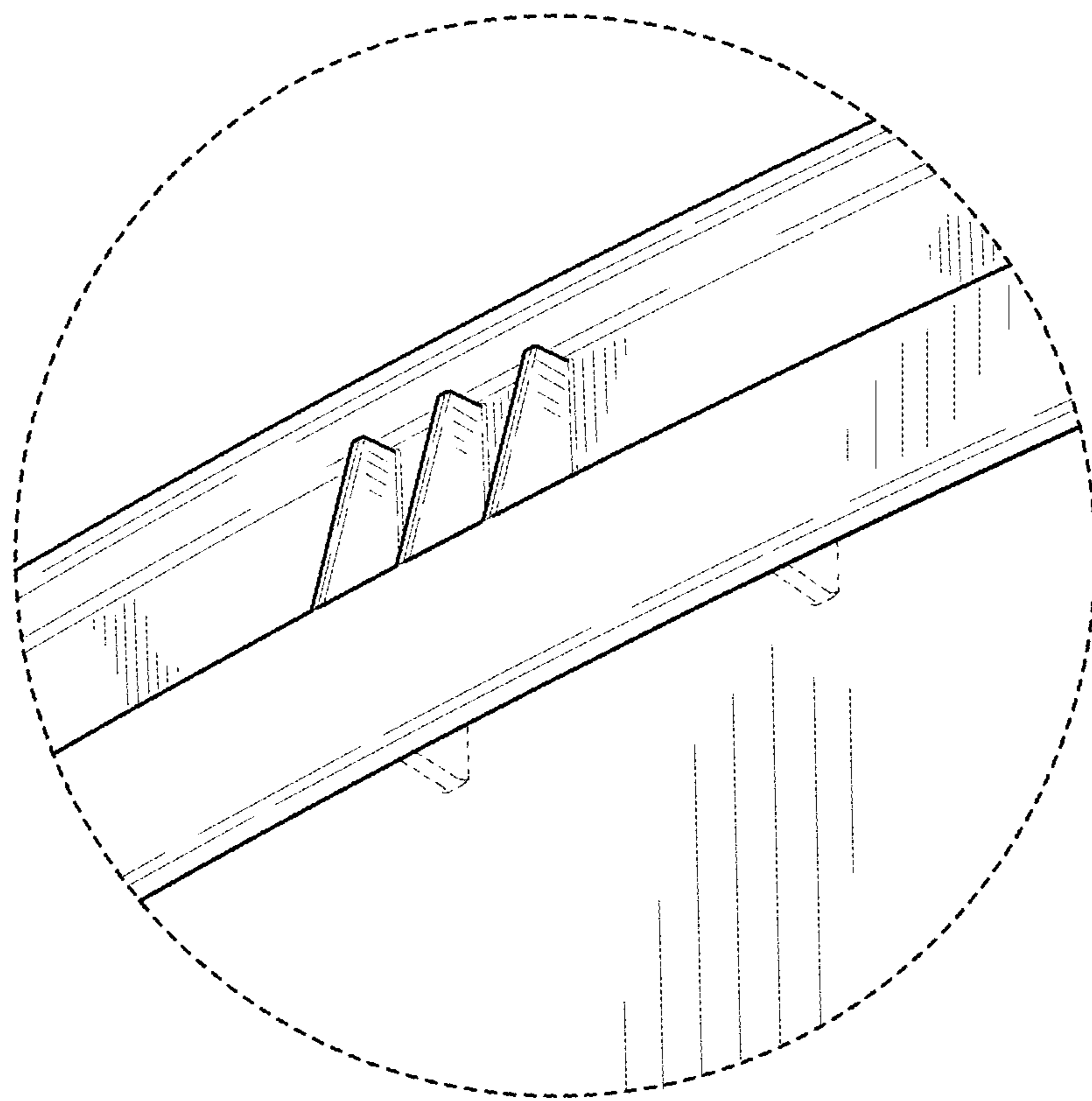


Fig. 5

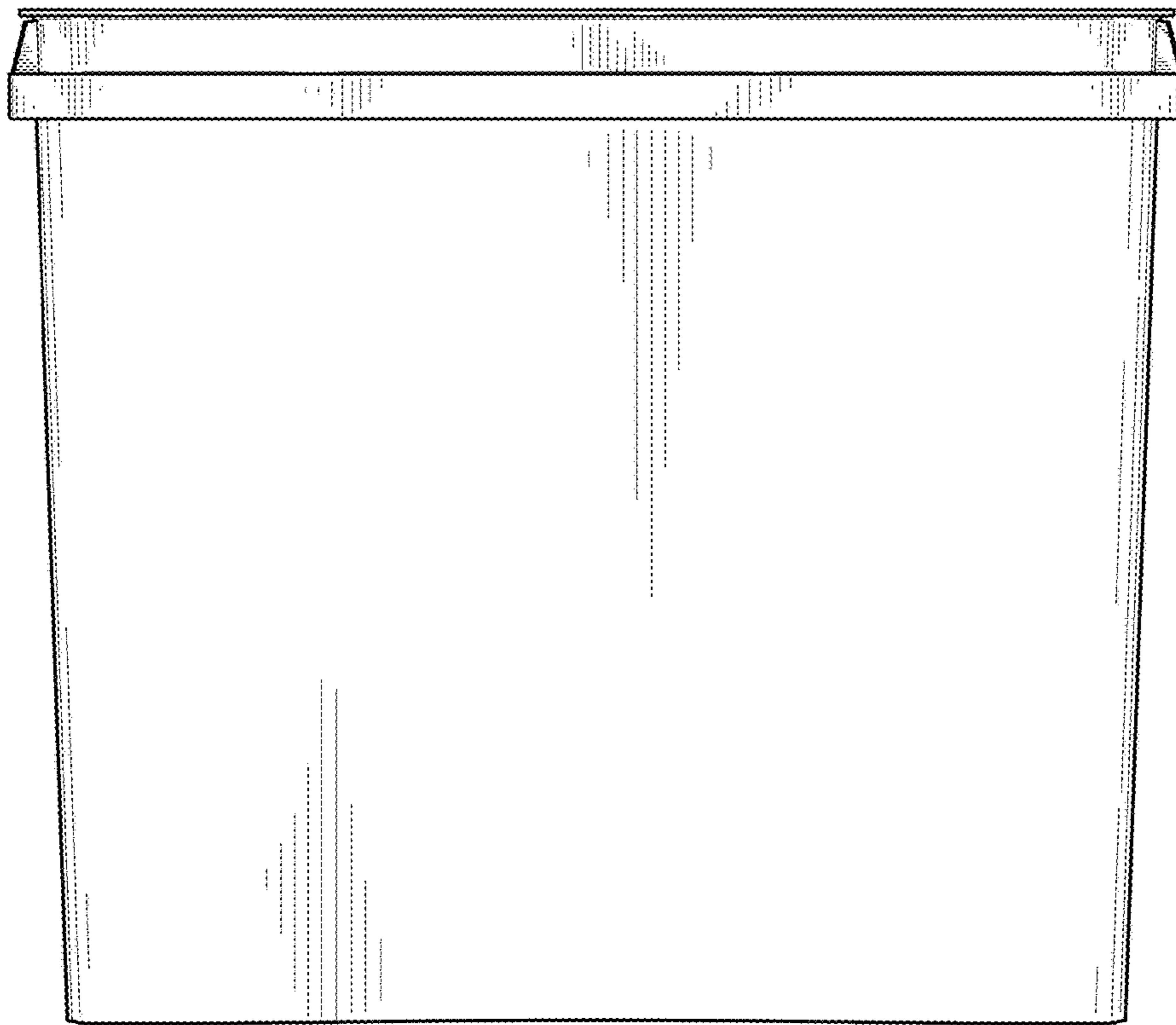


Fig. 6

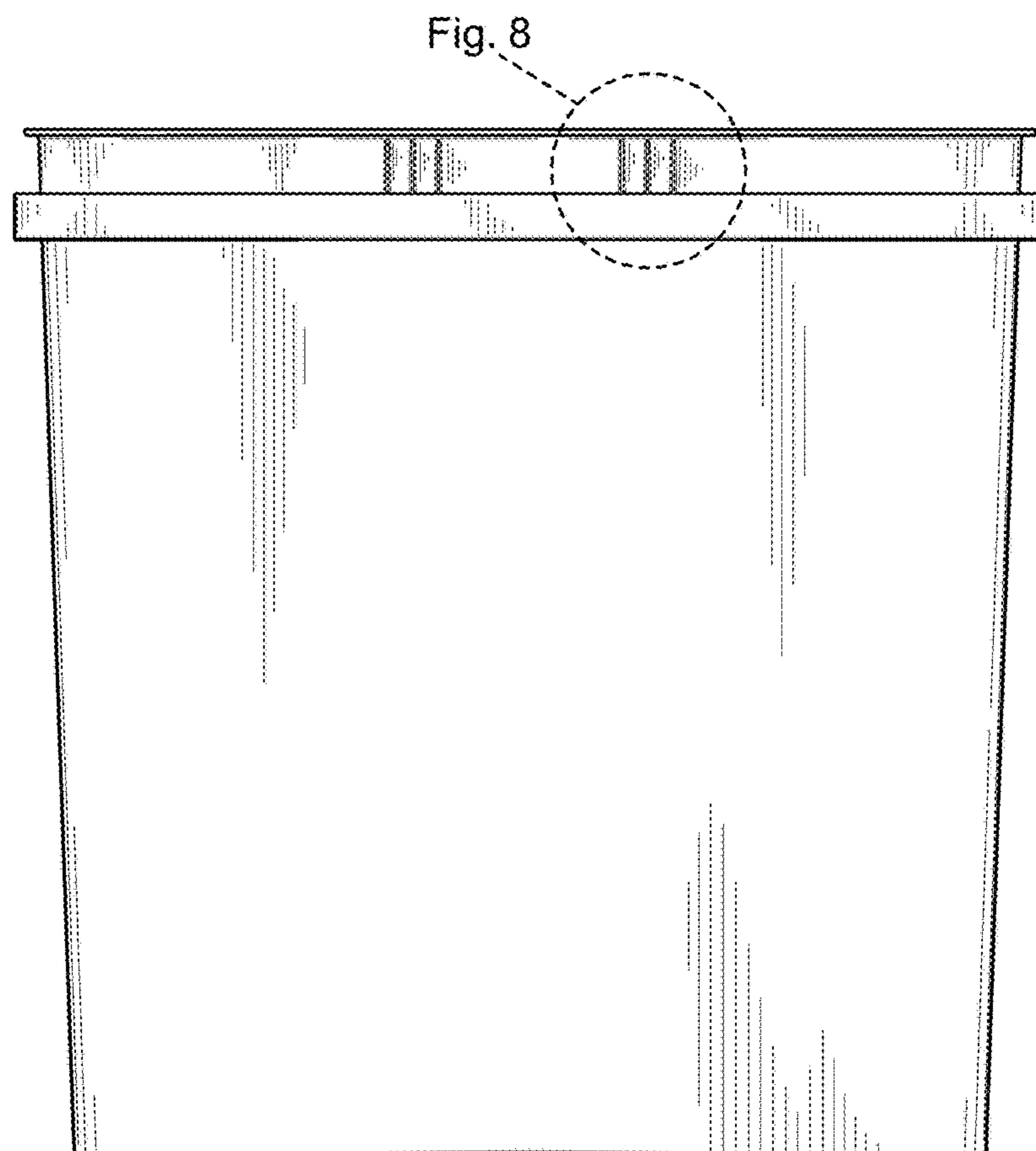


Fig. 7

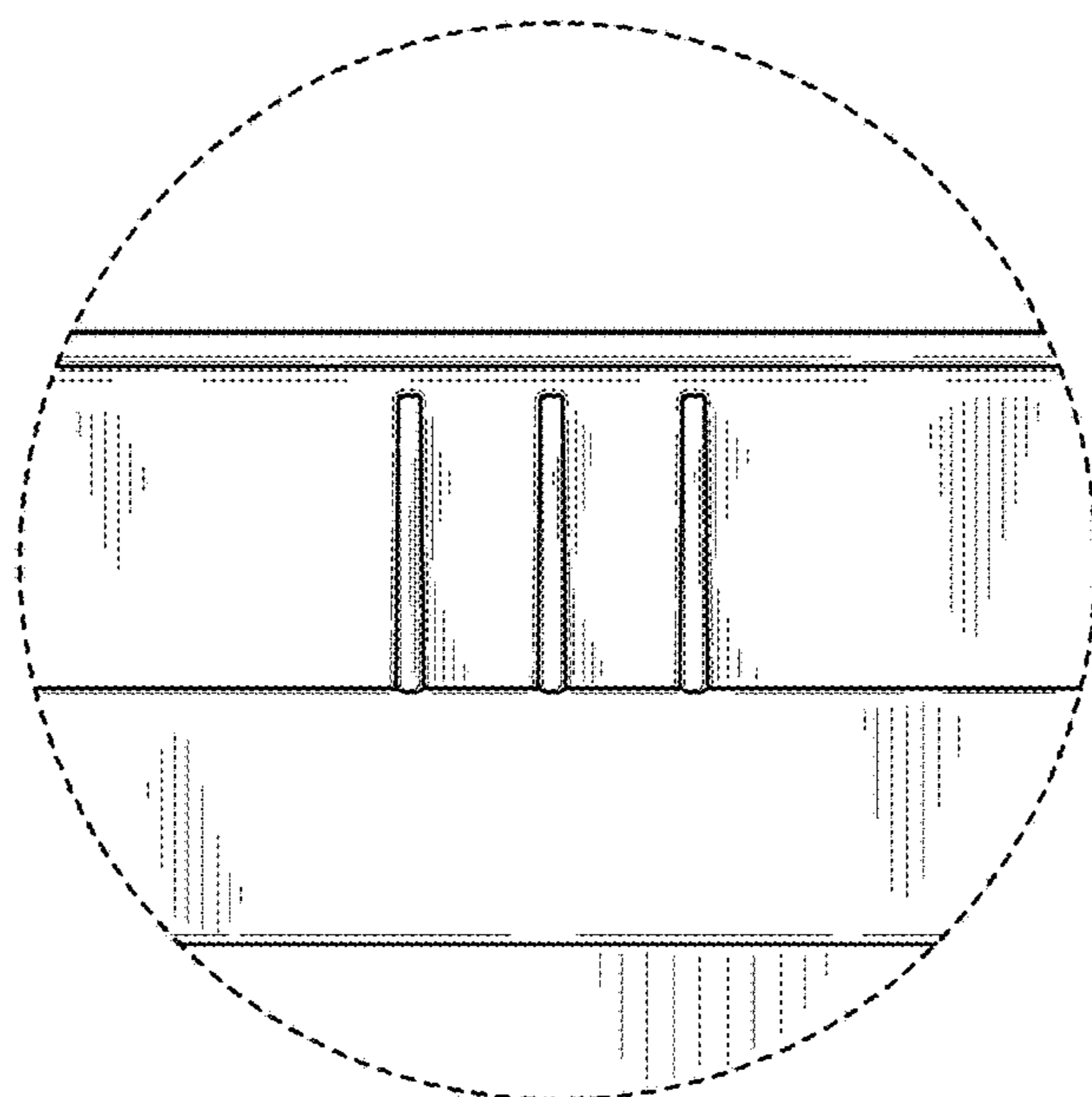


Fig. 8

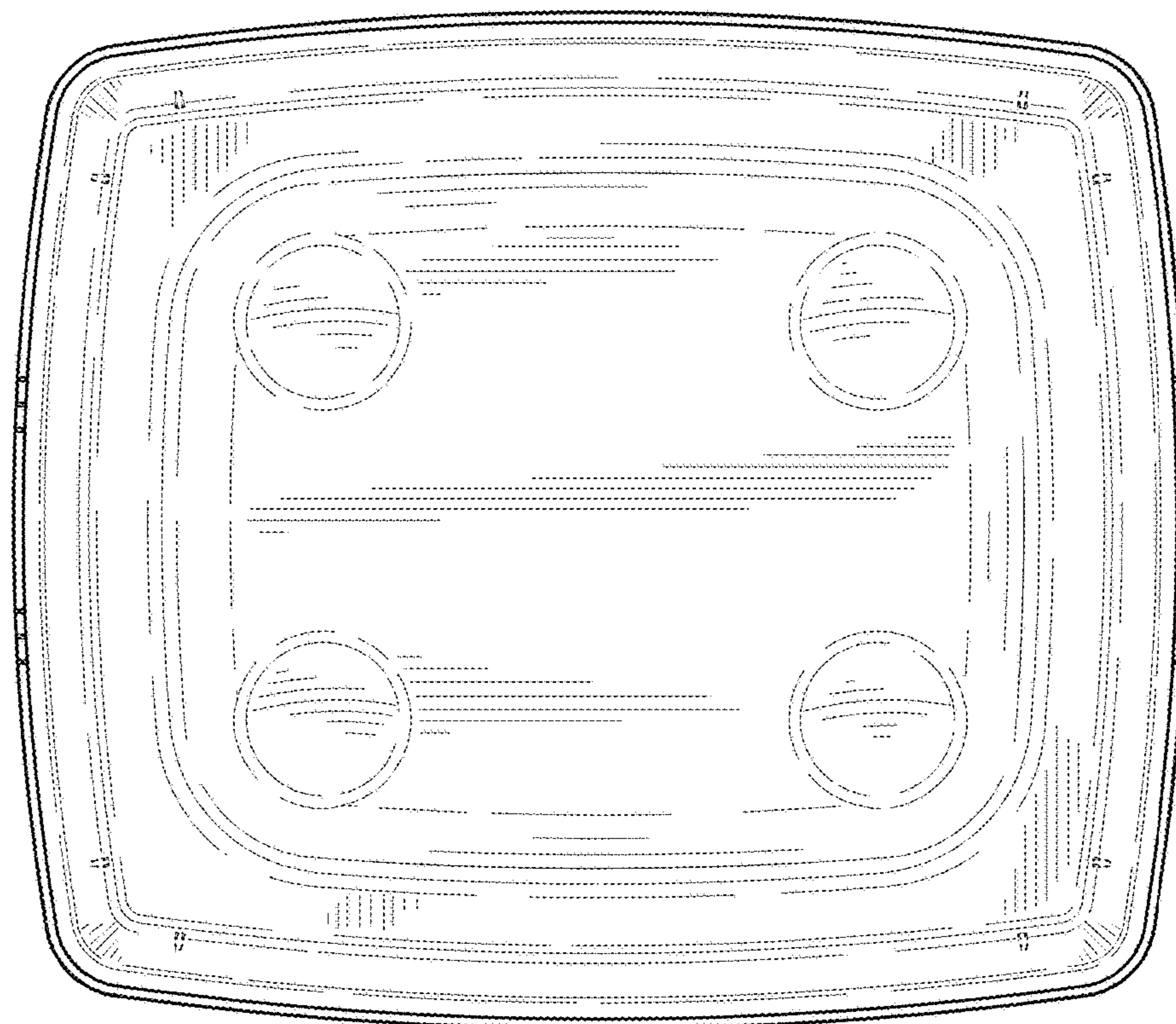


Fig. 9

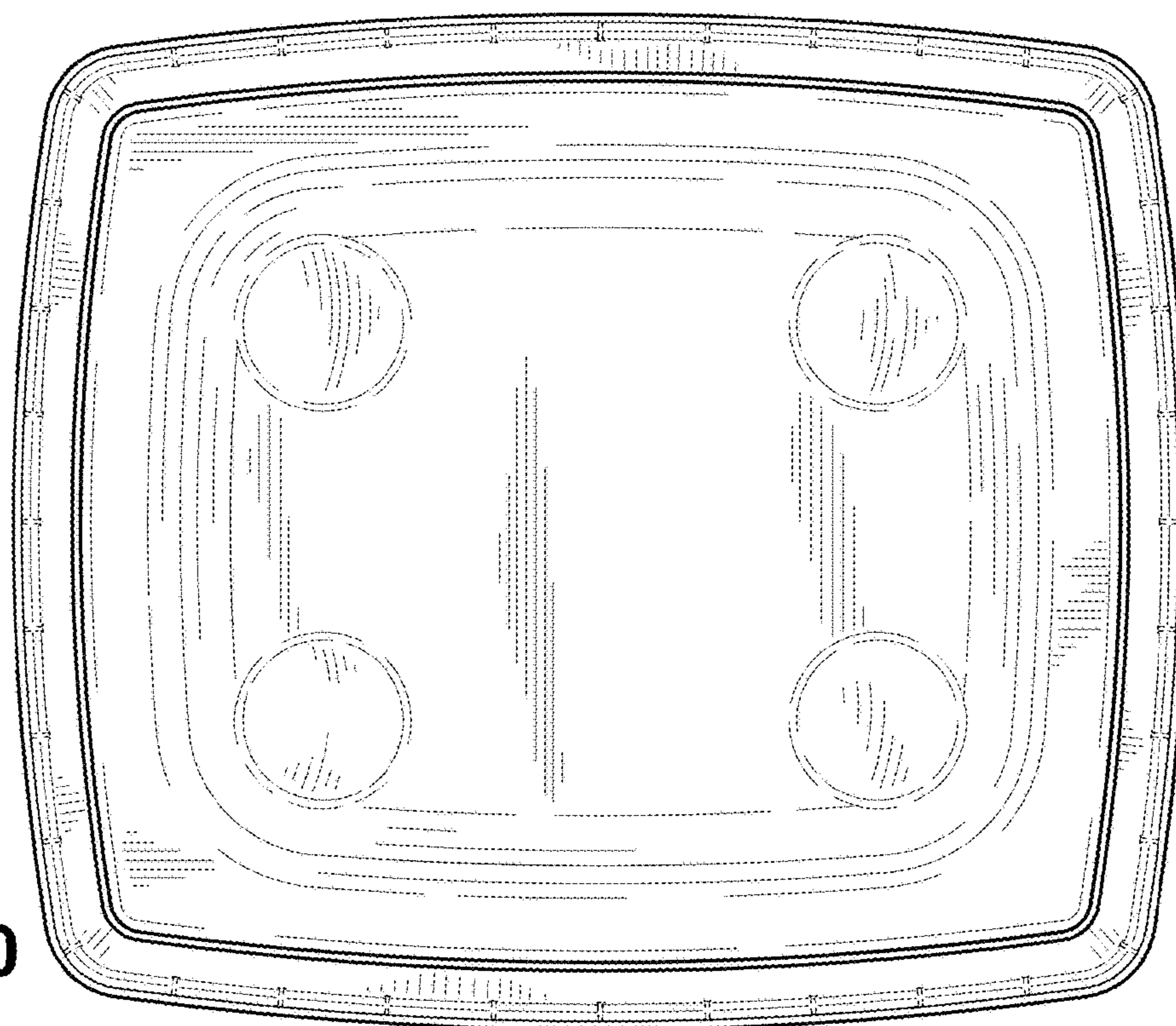


Fig. 10