



US00D778151S

(12) **United States Design Patent** (10) **Patent No.:** **US D778,151 S**
Watson (45) **Date of Patent:** **** Feb. 7, 2017**

- (54) **CARD**
- (71) Applicant: **MALLOW TREE LIMITED**, London (GB)
- (72) Inventor: **Ed Watson**, Doncaster (GB)
- (73) Assignee: **MALLOW TREE LIMITED**, London (GB)
- (**) Term: **14 Years**
- (21) Appl. No.: **29/515,506**
- (22) Filed: **Jan. 23, 2015**
- (51) **LOC (10) Cl.** **09-03**
- (52) **U.S. Cl.**
USPC **D9/418**
- (58) **Field of Classification Search**
USPC D9/418, 432-433, 711, 415, 721, 420;
D10/106.9; D19/26; 206/216, 456, 232,
206/231; 40/615; D6/634, 329, 629
CPC B65D 5/4233; B65D 5/5253; B65D 5/422;
A63J 13/00
See application file for complete search history.

(56) **References Cited**

U.S. PATENT DOCUMENTS

1,143,729	A *	6/1915	Schmidt	B65D 5/4233
					206/216
2,314,721	A *	3/1943	Lowenstein	A63J 13/00
					40/615
3,215,332	A *	11/1965	Bess	B65D 5/5253
					206/456
5,096,058	A *	3/1992	Juravin	B65D 5/422
					206/232
D424,434	S *	5/2000	Hoffman	D9/432
D424,435	S *	5/2000	Koehn	D9/432
D513,981	S *	1/2006	Gibbs	D9/433
D521,862	S *	5/2006	Siethoff	D9/432

D540,665	S *	4/2007	Gupta	D9/433
D553,999	S *	10/2007	Mason	D9/711
D561,626	S *	2/2008	Cherneff	D10/106.9
D566,759	S *	4/2008	Bharma	D19/26
D567,849	S *	4/2008	Bharma	D19/26
D609,563	S *	2/2010	Daum	D6/634

(Continued)

Primary Examiner — Rhea Shields

(74) *Attorney, Agent, or Firm* — Symbus Law Group, LLC; Clifford D. Hyra

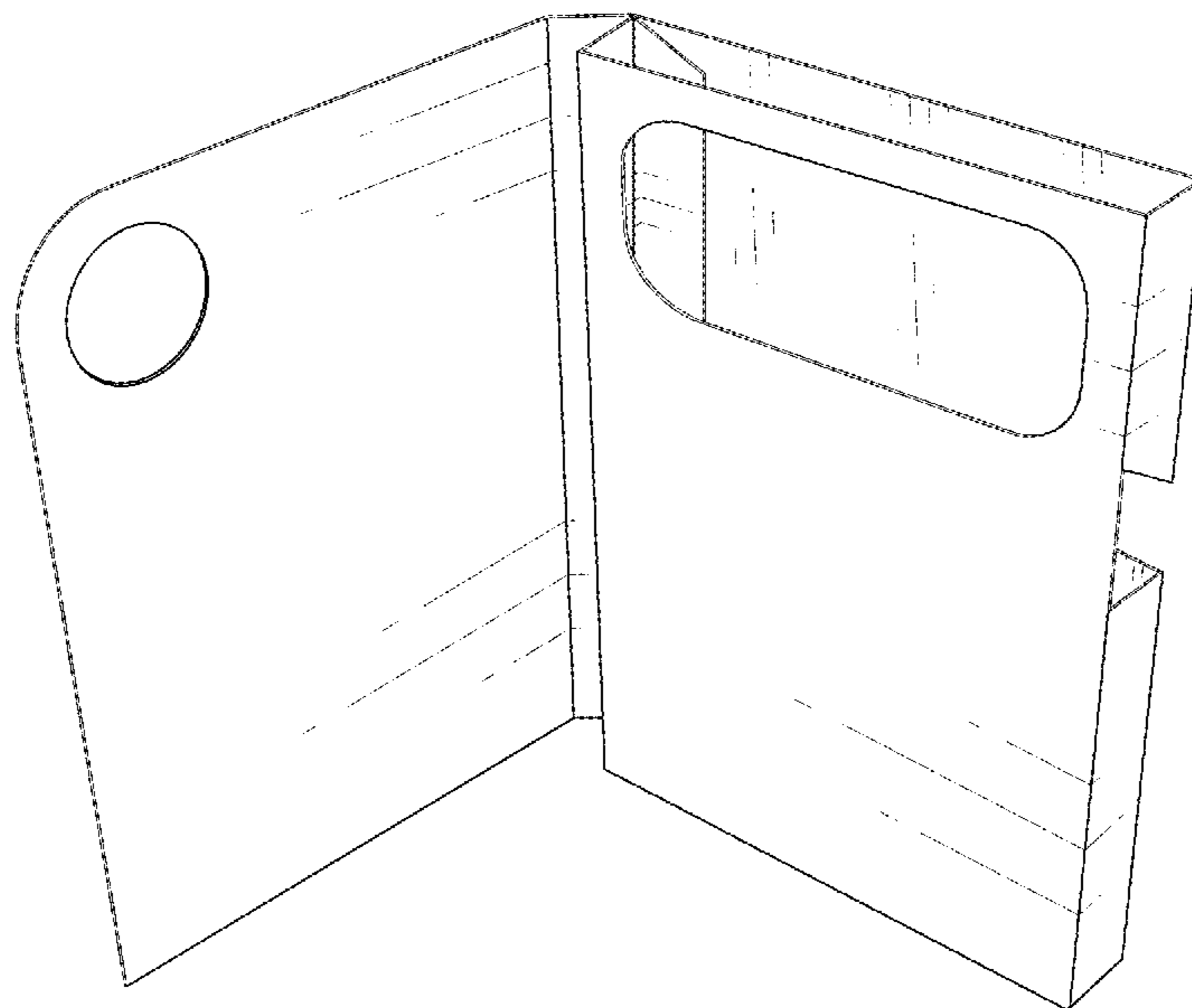
(57) **CLAIM**

The ornamental design for a card, as shown and described.

DESCRIPTION

FIG. 1 is a front view of a card, showing my new design;
 FIG. 2 is a rear view thereof.
 FIG. 3 is a right side view thereof.
 FIG. 4 is a left side view thereof.
 FIG. 5 is a top view thereof.
 FIG. 6 is a bottom view thereof.
 FIG. 7 is a perspective view thereof, showing the top, front and right sides.
 FIG. 8 is a perspective view thereof, showing the rear, top and right sides.
 FIG. 9 is a front view thereof, with the cover opened ninety degrees.
 FIG. 10 is a rear view of the card of FIG. 9.
 FIG. 11 is a right side view of the card of FIG. 9.
 FIG. 12 is a left side view of the card of FIG. 9.
 FIG. 13 is a top view of the card of FIG. 9.
 FIG. 14 is a bottom view of the card of FIG. 9.
 FIG. 15 is a perspective view of the card of FIG. 9, showing the top, front, and right sides; and,
 FIG. 16 is a perspective view thereof, with the cover opened greater than ninety degrees, showing the top, front, and right sides.

1 Claim, 8 Drawing Sheets



(56)

References Cited

U.S. PATENT DOCUMENTS

7,748,527 B2 * 7/2010 Wisecarver B65D 5/5021
206/321
D621,839 S * 8/2010 Sweet D14/229
D635,184 S * 3/2011 Suito D18/56
D650,583 S * 12/2011 Muniz D3/274
D650,855 S * 12/2011 Kenney D19/1
D652,294 S * 1/2012 Seneca D9/418
D653,880 S * 2/2012 Polidoros D6/713
D659,190 S * 5/2012 Tao D19/26
D665,665 S * 8/2012 Seneca D9/418
D666,203 S * 8/2012 Wang D14/439
D668,948 S * 10/2012 LaTrobe D9/418
D669,350 S * 10/2012 Althoff D9/418
D669,692 S * 10/2012 Chen D6/329
D690,591 S * 10/2013 Sanders D9/432
D696,109 S * 12/2013 Wilker D9/418
D698,639 S * 2/2014 Fletcher D9/415
D710,713 S * 8/2014 Fath D9/721
D714,136 S * 9/2014 Stepanov D9/432
D718,769 S * 12/2014 Bassil D14/440
D729,055 S * 5/2015 Lemnios D9/418
D729,056 S * 5/2015 She D9/420
D743,715 S * 11/2015 Vangrov D6/629
D751,251 S * 3/2016 Fath D27/189
D751,756 S * 3/2016 Hearn D27/189
D751,895 S * 3/2016 Bellamah D9/432
D751,897 S * 3/2016 Barad D9/432
D753,937 S * 4/2016 Gruber D6/634
D755,044 S * 5/2016 Nettenstrom D9/418
D756,236 S * 5/2016 DePaz D9/418

* cited by examiner

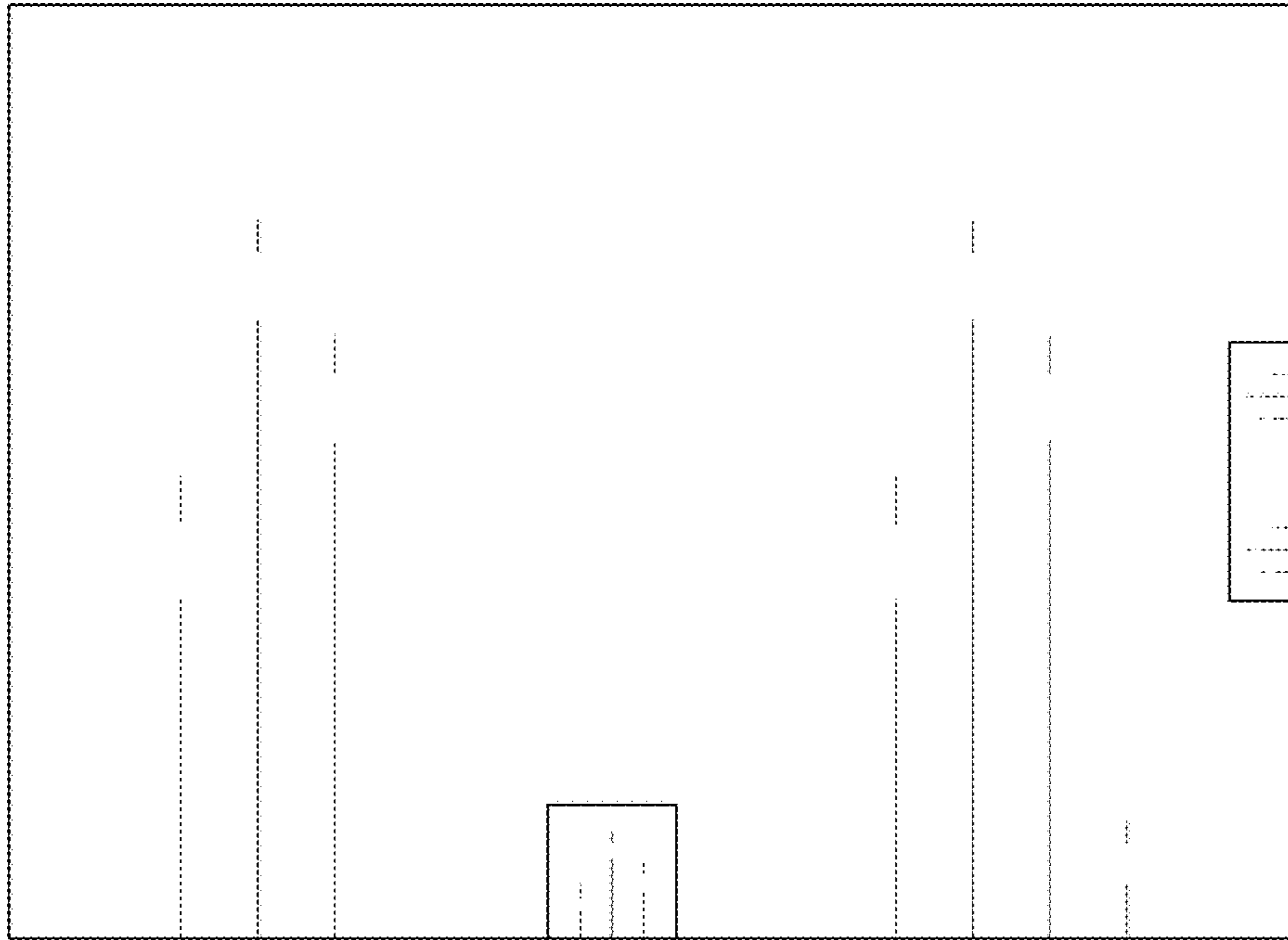


FIG. 1

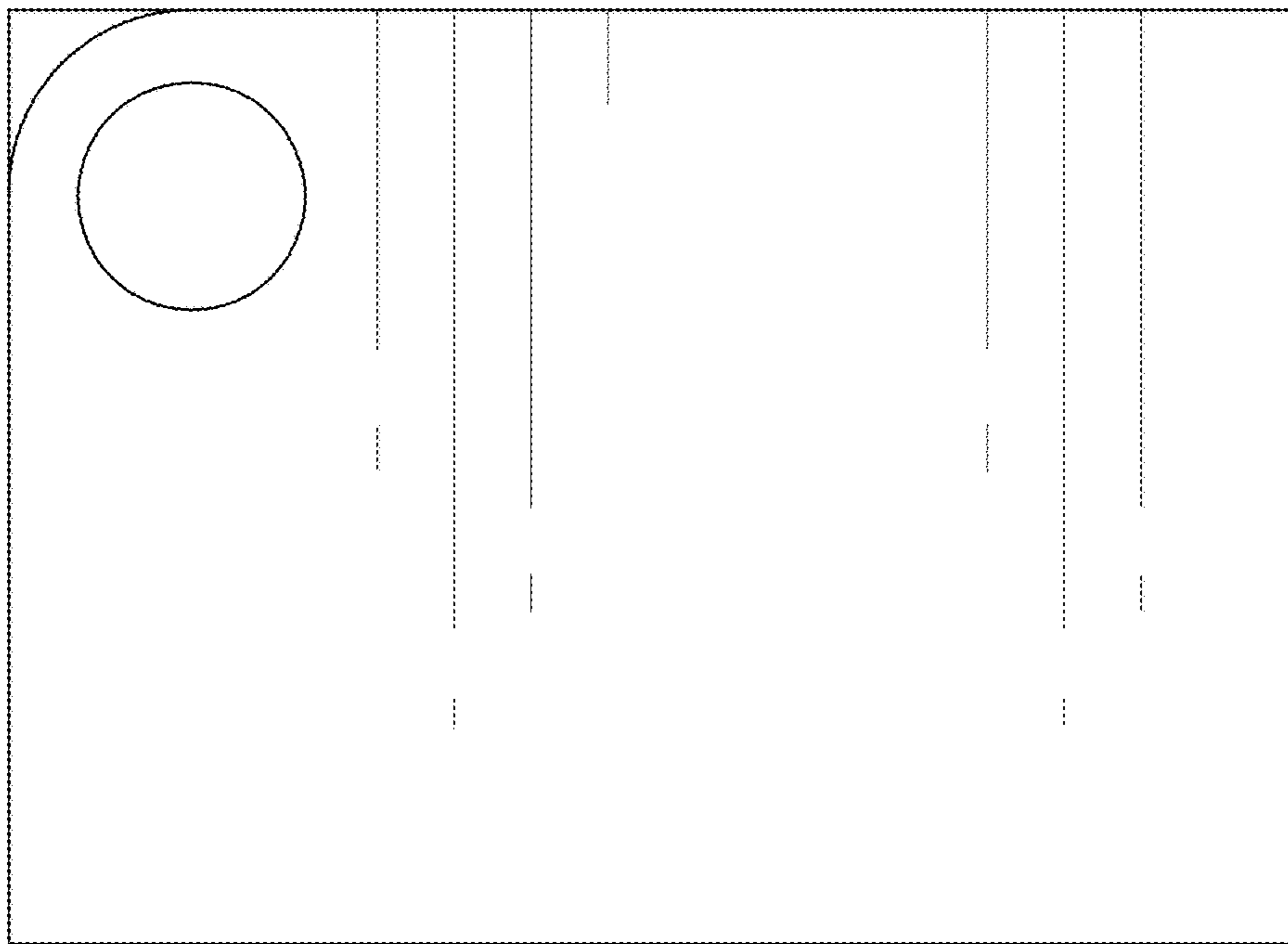


FIG. 2

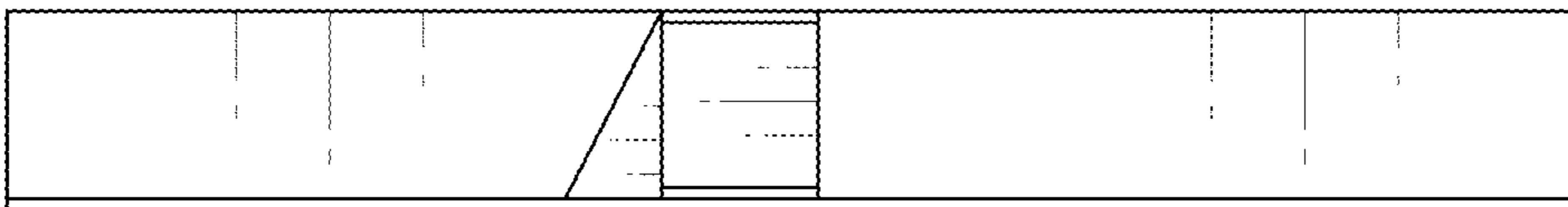


FIG. 3



FIG. 4

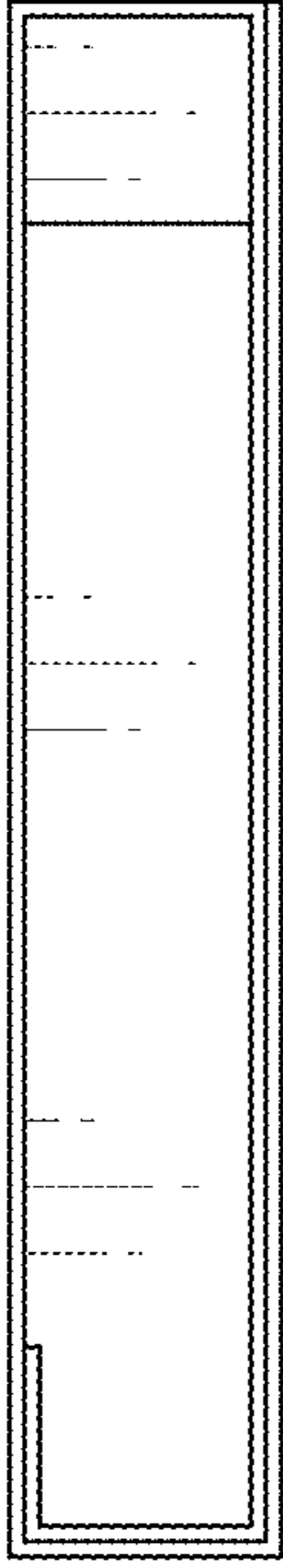


FIG. 5

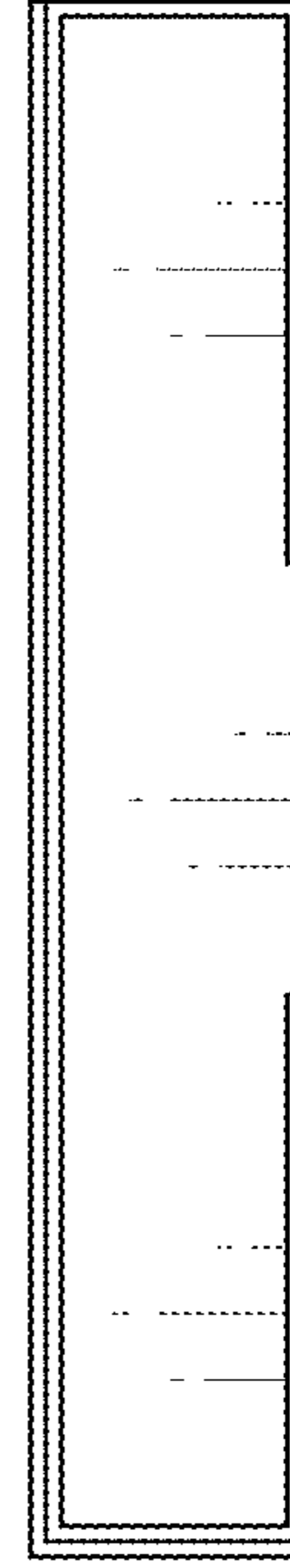


FIG. 6

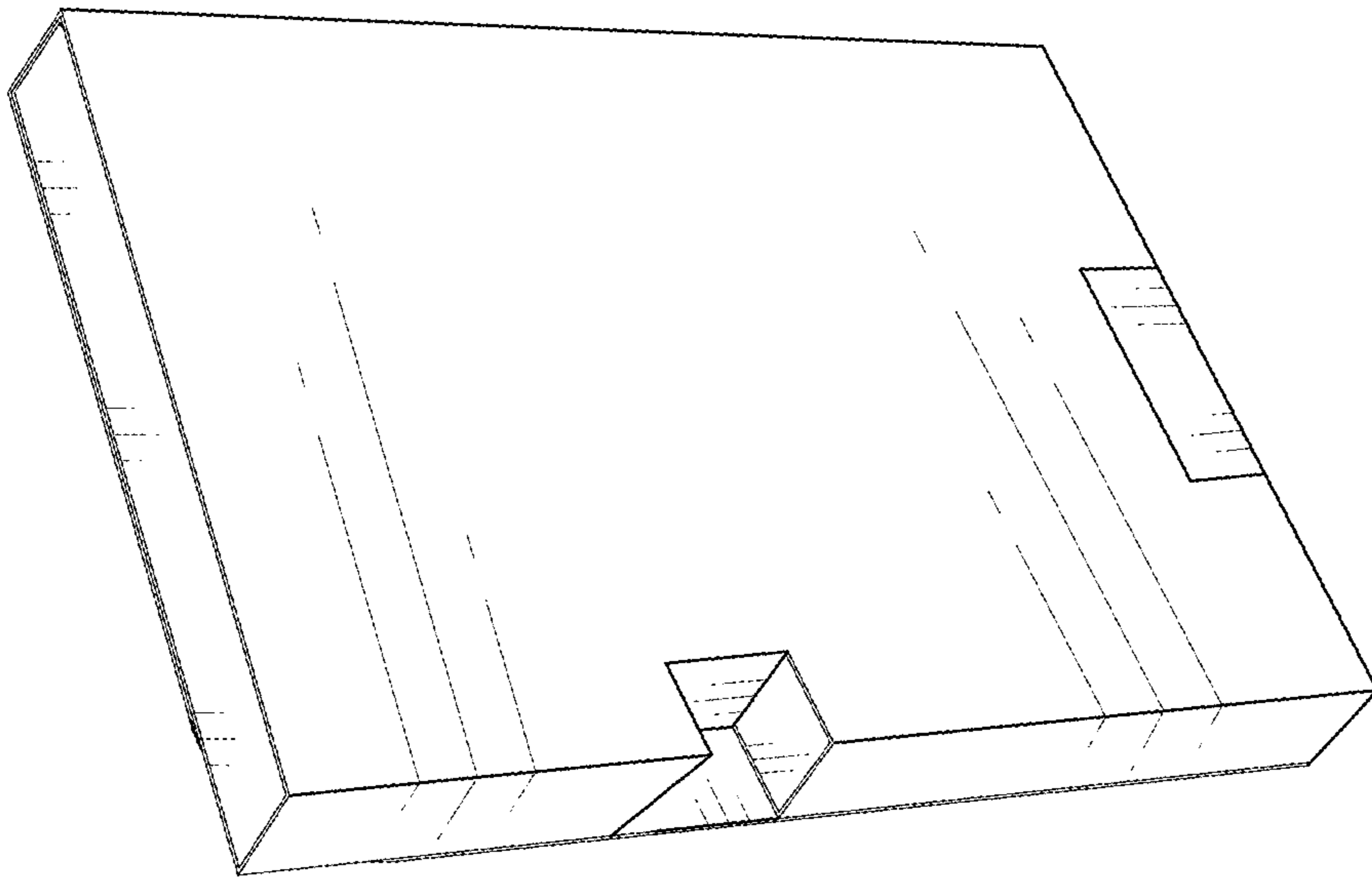


FIG. 8

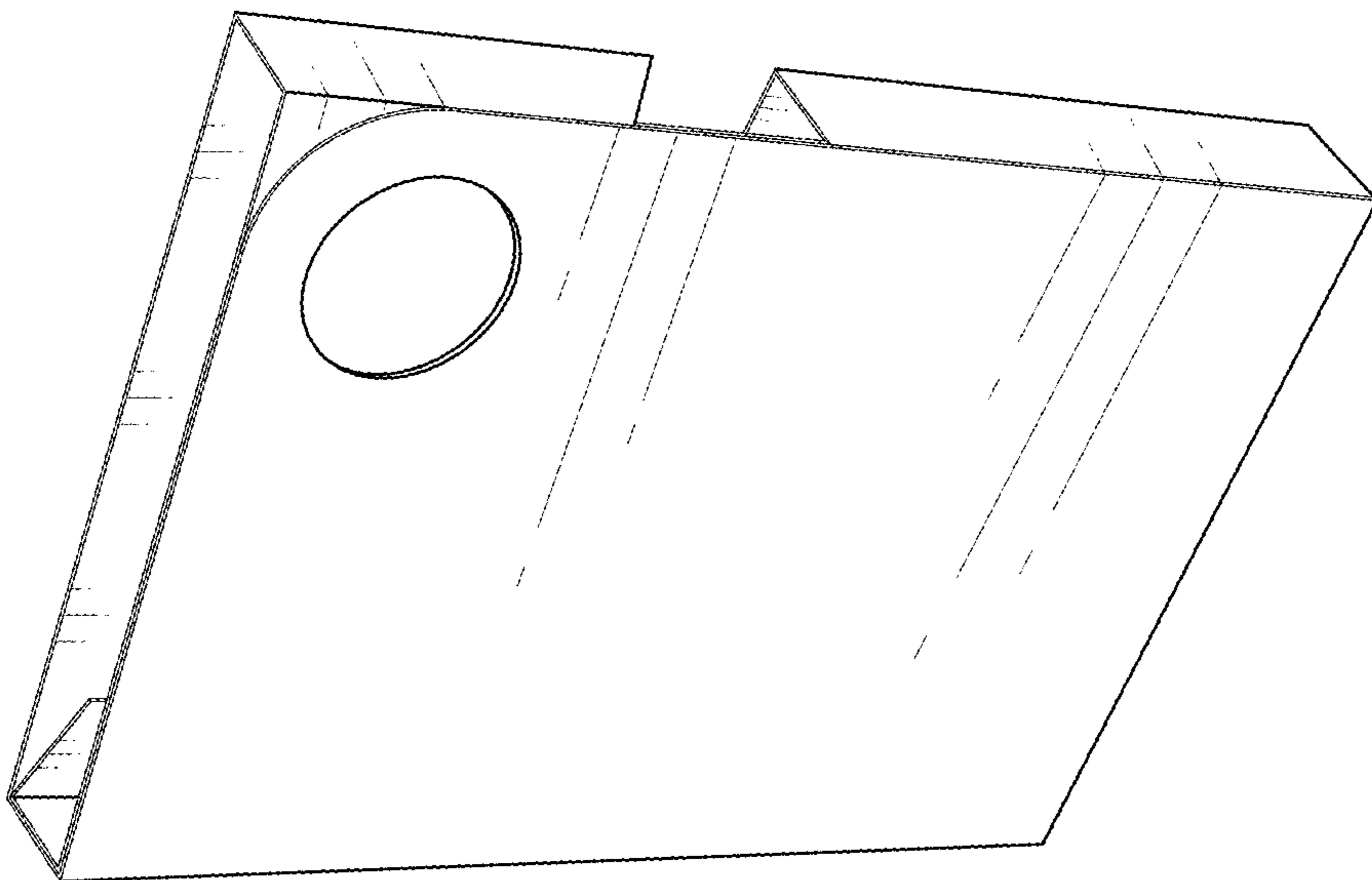


FIG. 7

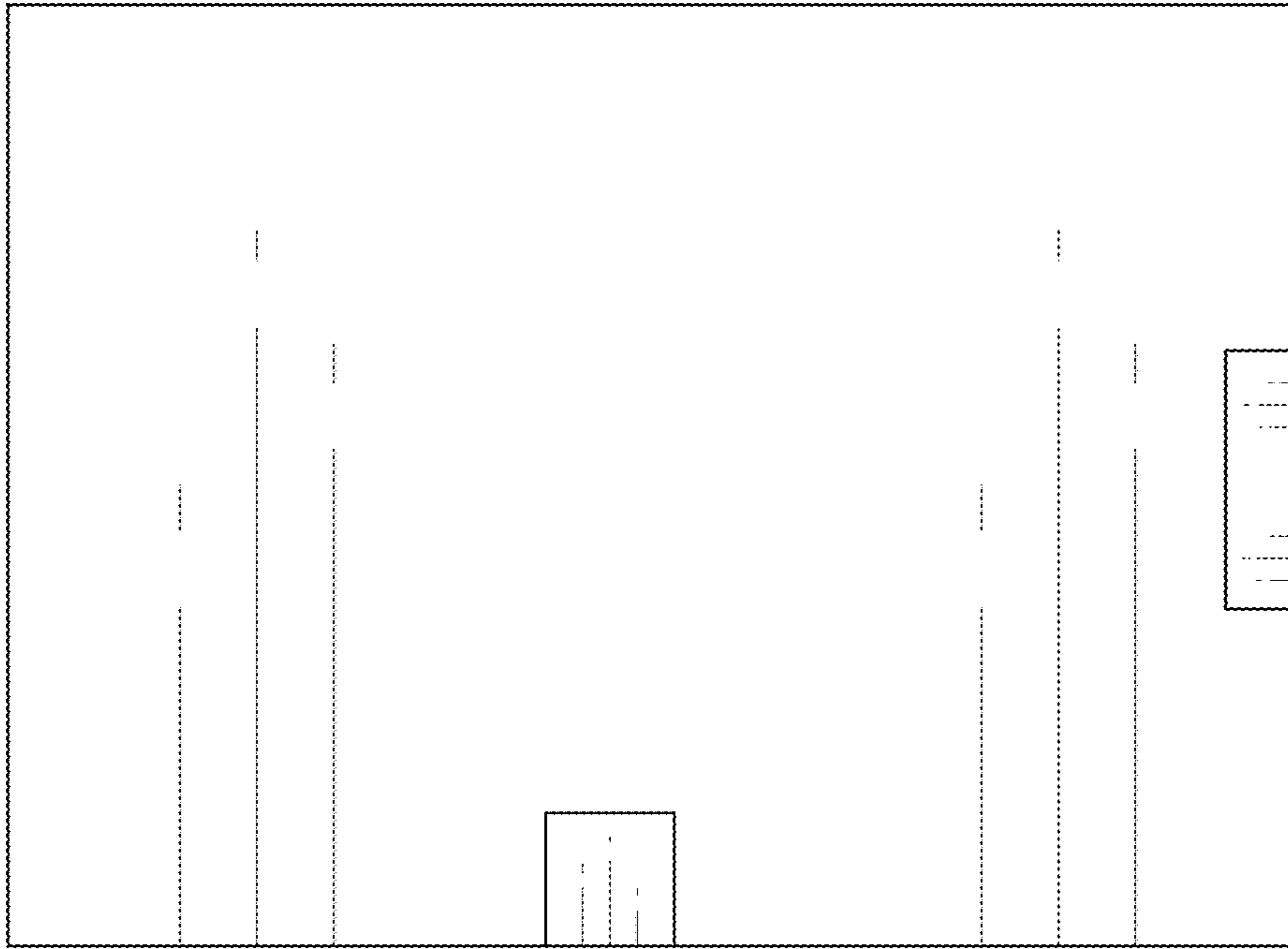


FIG. 10

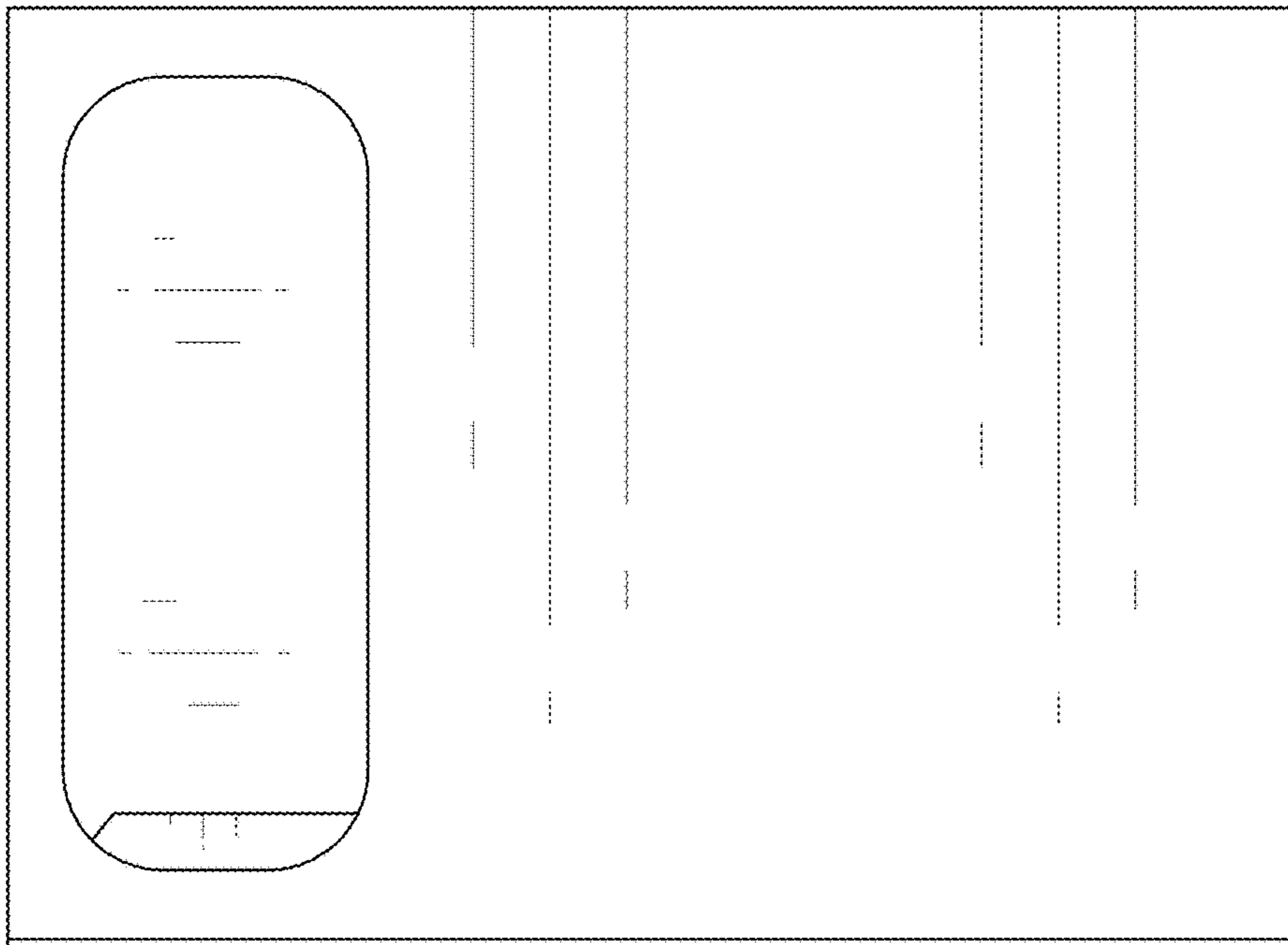


FIG. 9

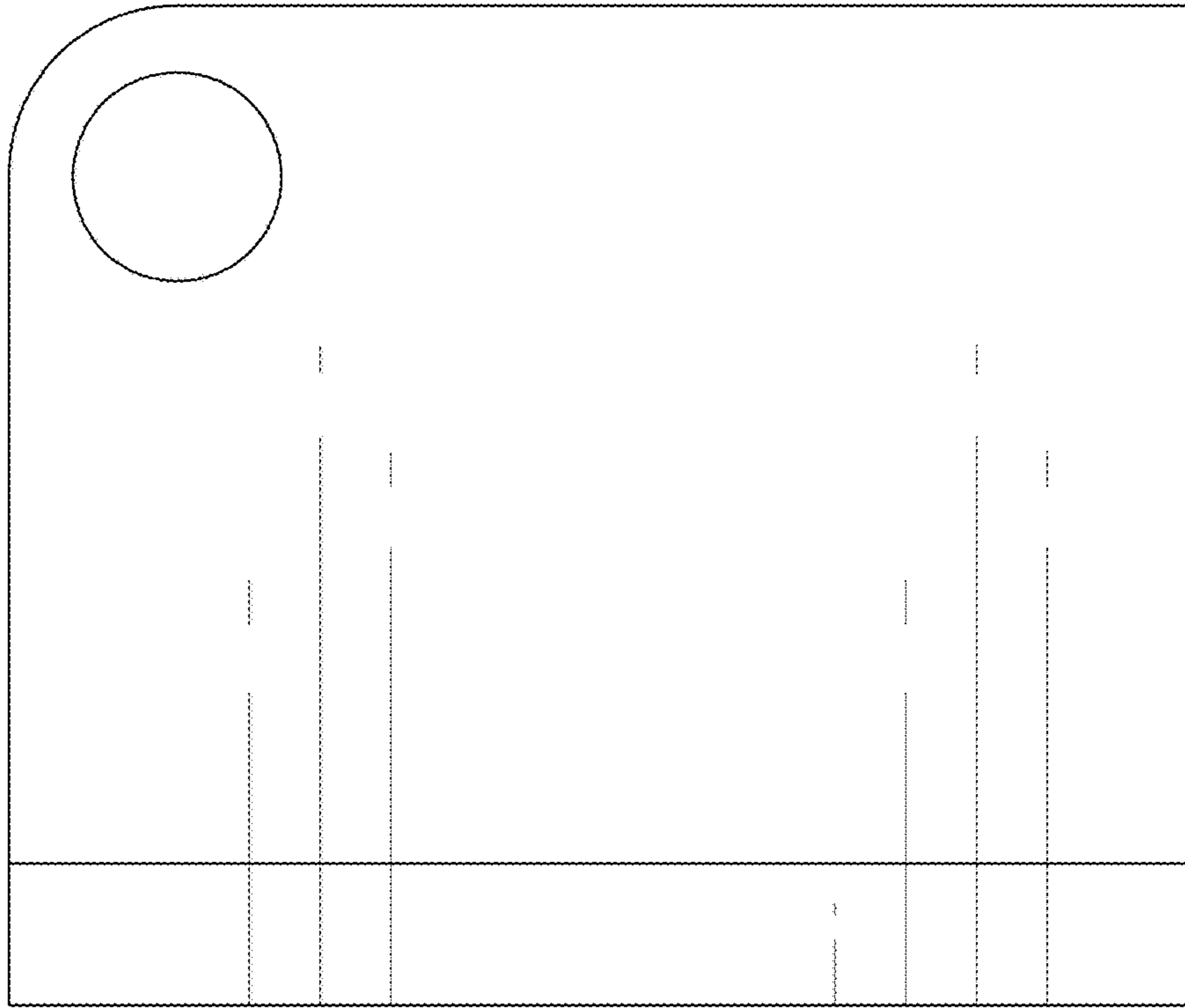


FIG. 12

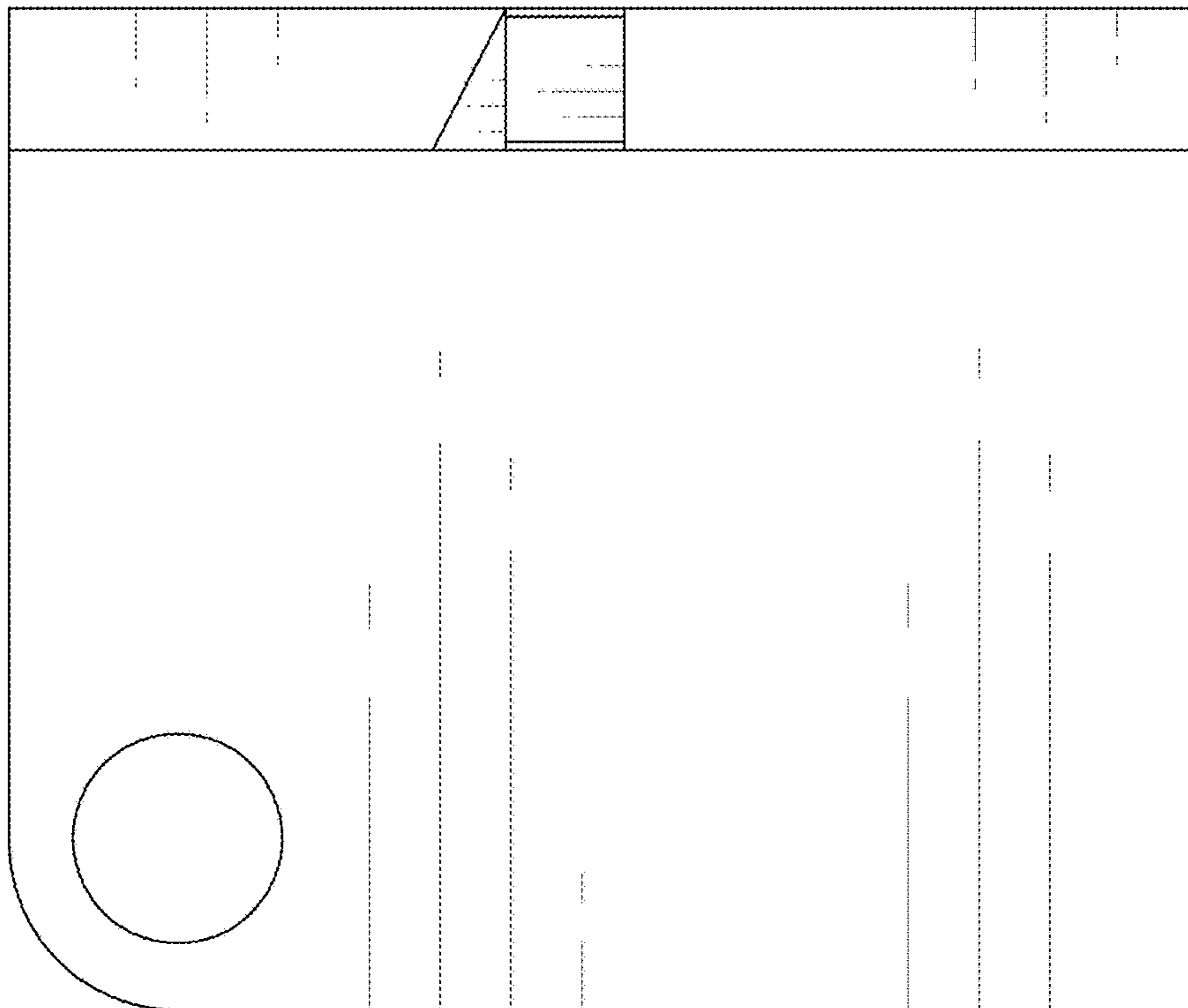


FIG. 11

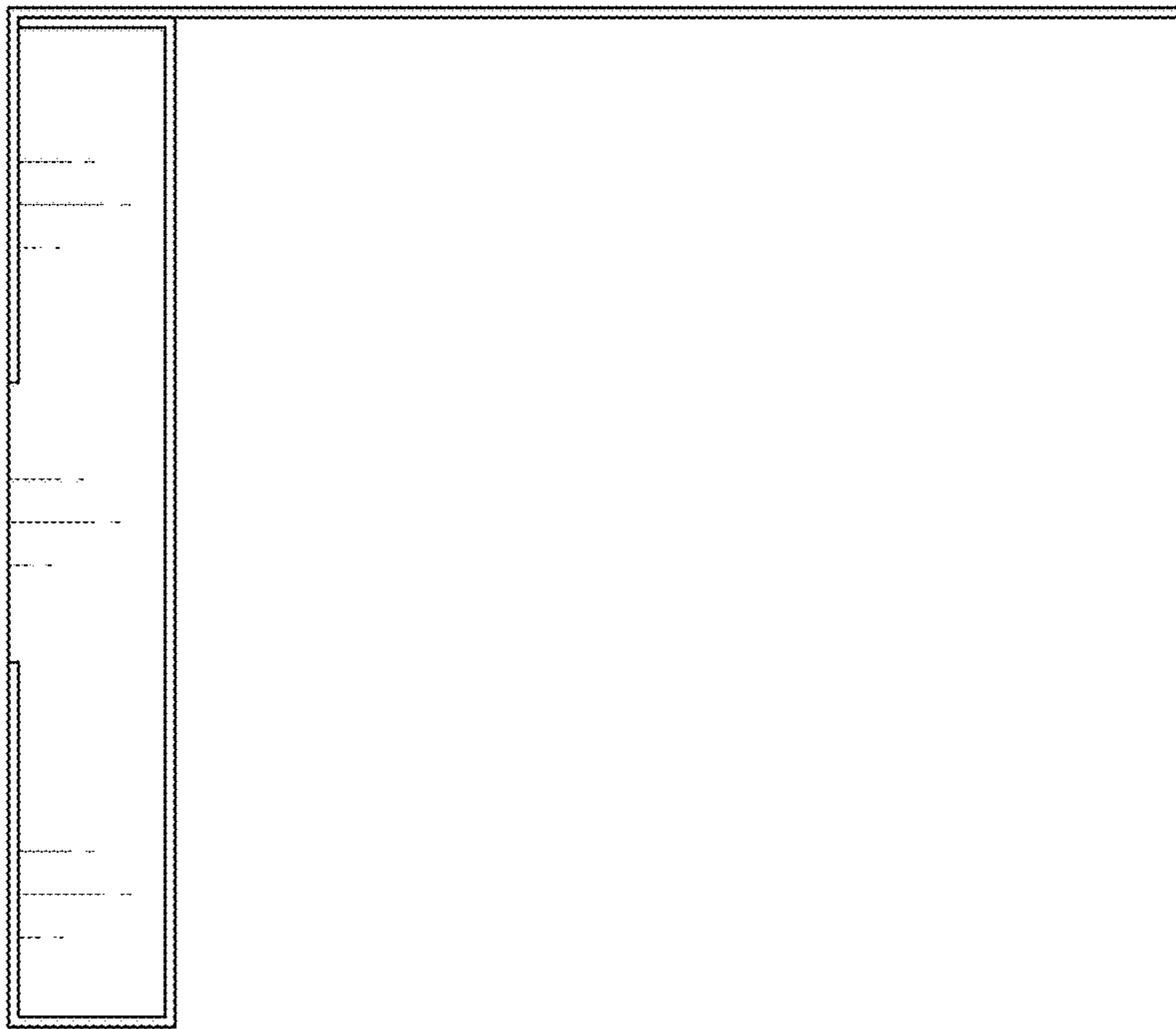


FIG. 14

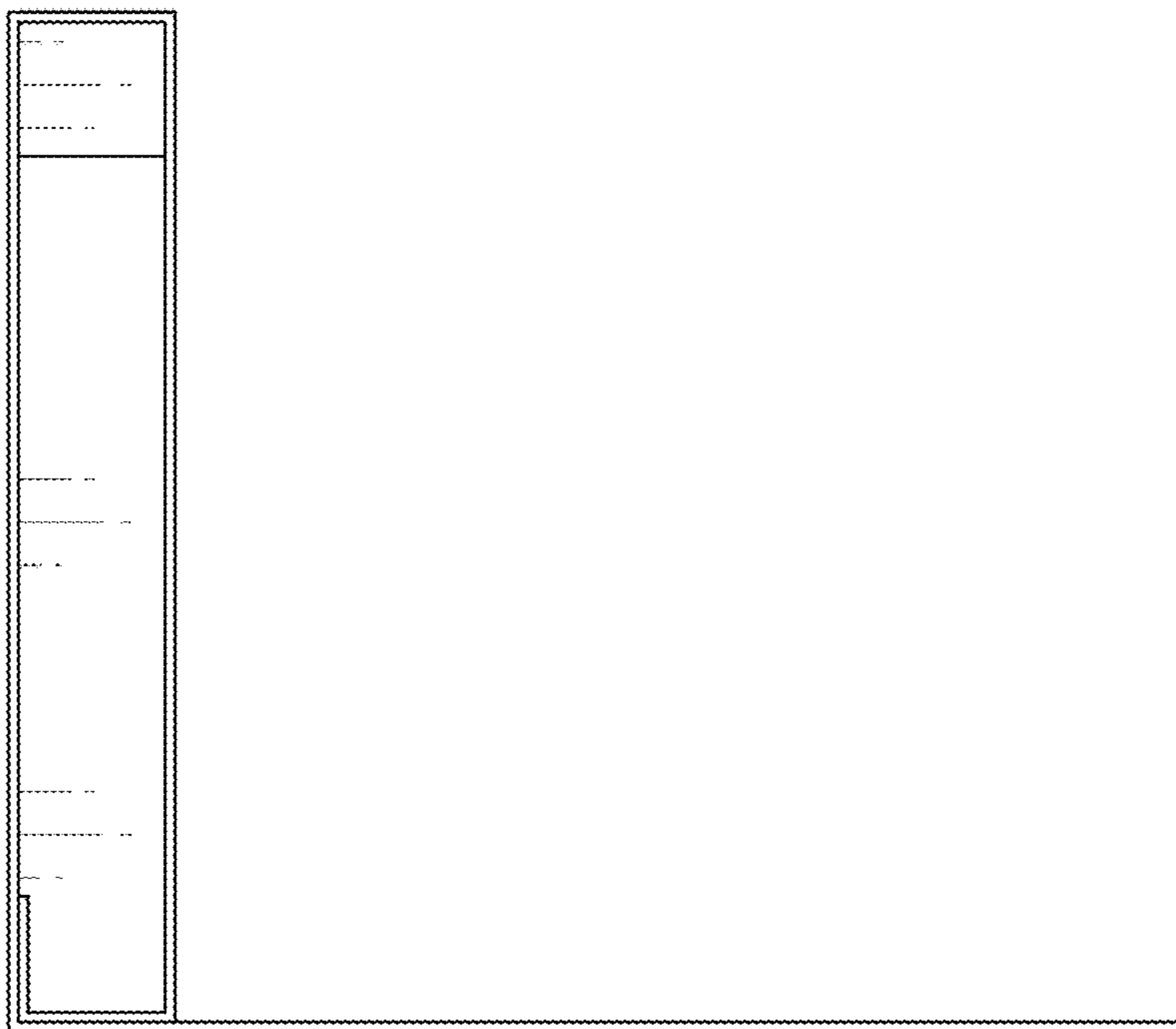


FIG. 13

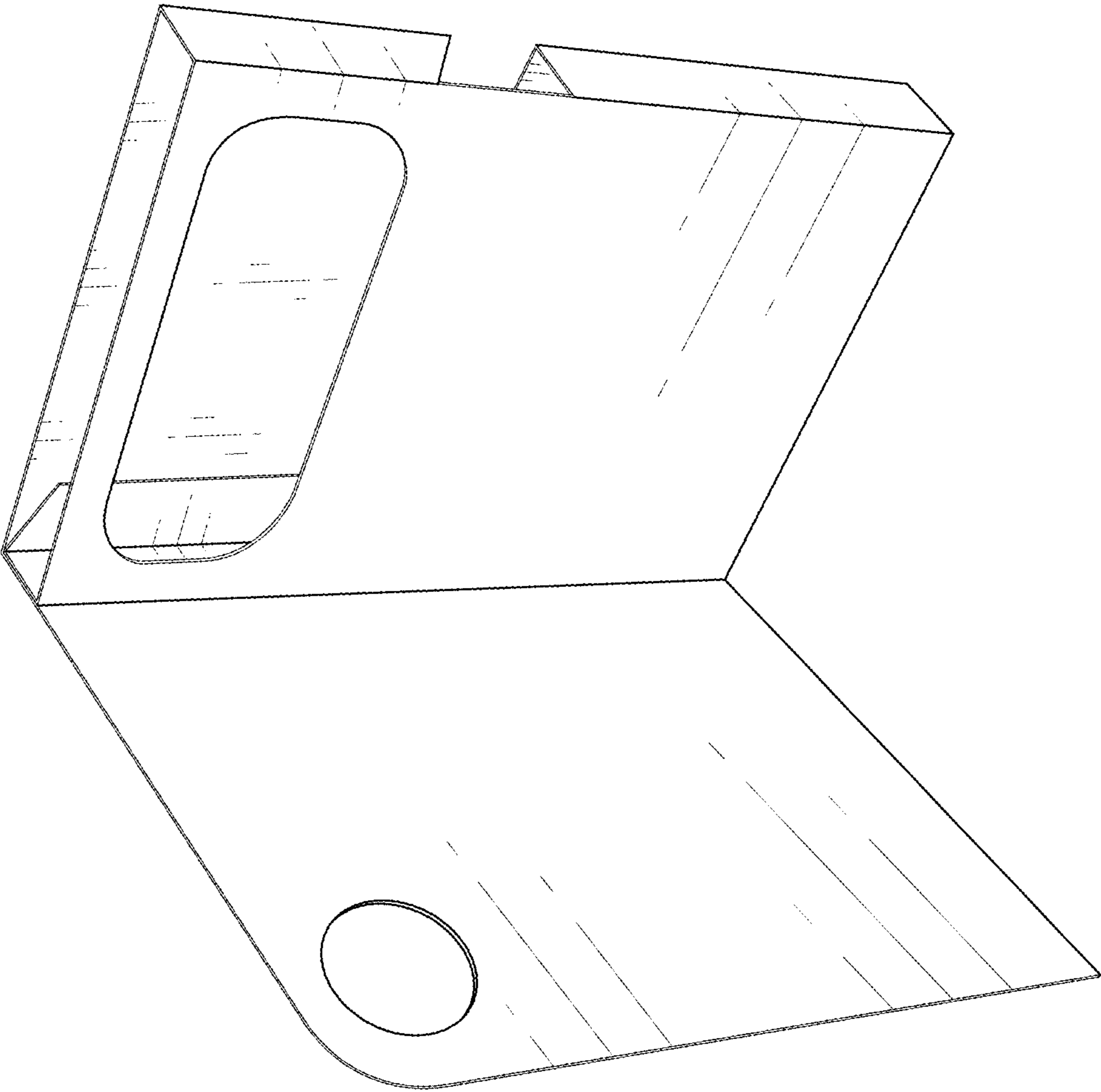


FIG. 15

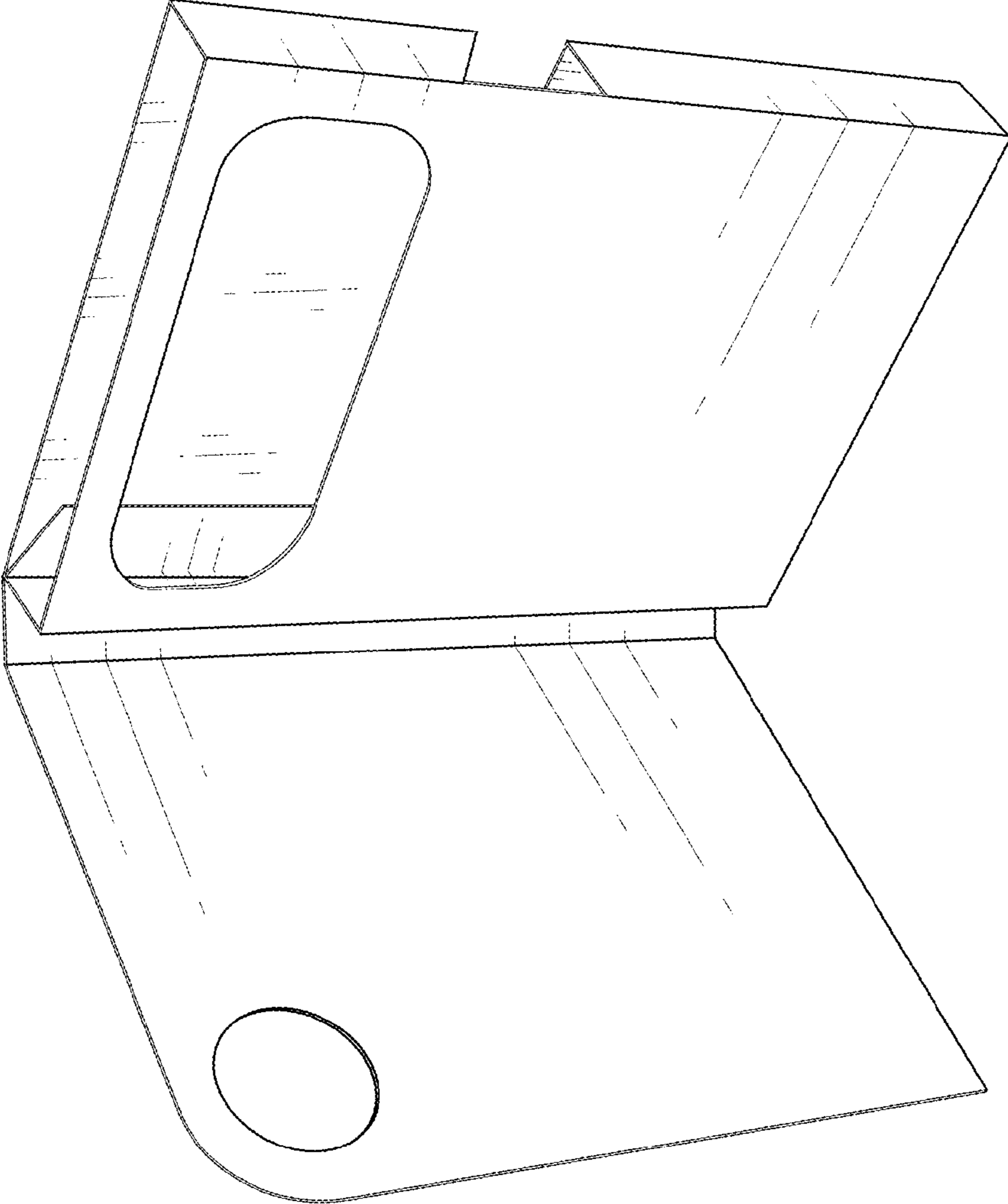


FIG. 16