



US00D778148S

(12) **United States Design Patent** (10) **Patent No.:** **US D778,148 S**
Iwahara et al. (45) **Date of Patent:** **** Feb. 7, 2017**

(54) **CLIP**

FOREIGN PATENT DOCUMENTS

(71) Applicant: **DAIWA KASEI KOGYO**
KABUSHIKI KAISHA, Aichi-ken (JP)

JP 1003089 S 2/1998
JP 1015514 S 7/1998

(72) Inventors: **Toshio Iwahara**, Aichi-ken (JP);
Makoto Kato, Aichi-ken (JP); **Katsuya**
Hirakawa, Aichi-ken (JP)

Primary Examiner — Sandra Snapp
Assistant Examiner — Ieisha Price

(74) *Attorney, Agent, or Firm* — Christensen Fonder P.A.

(73) Assignee: **DAIWA KASEI KOGYO**
KABUSHIKI KAISHA, Aichi-Ken
(JP)

(57) **CLAIM**

(**) Term: **15 Years**

The ornamental design for a clip, as shown and described.

(21) Appl. No.: **29/505,591**

(22) Filed: **Dec. 23, 2015**

DESCRIPTION

(30) **Foreign Application Priority Data**

Jun. 24, 2015 (JP) 2015-013956

(51) **LOC (10) Cl.** **08-08**

(52) **U.S. Cl.**
USPC **D8/383**

(58) **Field of Classification Search**
USPC D8/383, 356, 382, 394, 396, 499
CPC . B65D 63/00; B65D 63/1072; B65D 63/1063;
B65D 63/1081; B65D 63/1045; B65D
2563/103; F16B 2/26; F16L 3/2332;
F16L 3/2334; F16L 3/2338; Y10T
24/1498; Y10T 24/14; Y10T
24/141; Y10T 24/15; Y10T 24/153
See application file for complete search history.

FIG. 1 is a top perspective view;
FIG. 2 is a bottom perspective view;
FIG. 3 is a front elevation view thereof; the back elevation
view is symmetrical to the front elevation view;
FIG. 4 is a right side elevation view thereof;
FIG. 5 is a left side elevation view thereof;
FIG. 6 is a top plain view thereof;
FIG. 7 is bottom plain view thereof;
FIG. 8 is an enlarged view of a portion indicated by arrows
8-8 in FIG. 1;
FIG. 9 is an enlarged view of a portion indicated by arrows
9-9 in FIG. 2;
FIG. 10 is an enlarged view of a portion indicated by arrows
10-10 in FIG. 3; and,
FIG. 11 is an enlarged view of a portion indicated by arrows
11-11 in FIG. 6.

The broken lines shown in the drawings represent unclaimed
portions of the clip and form no part of the claimed design.
The dot-dash-dot broken lines in the drawings define the
bounds of the claim and form no part thereof.

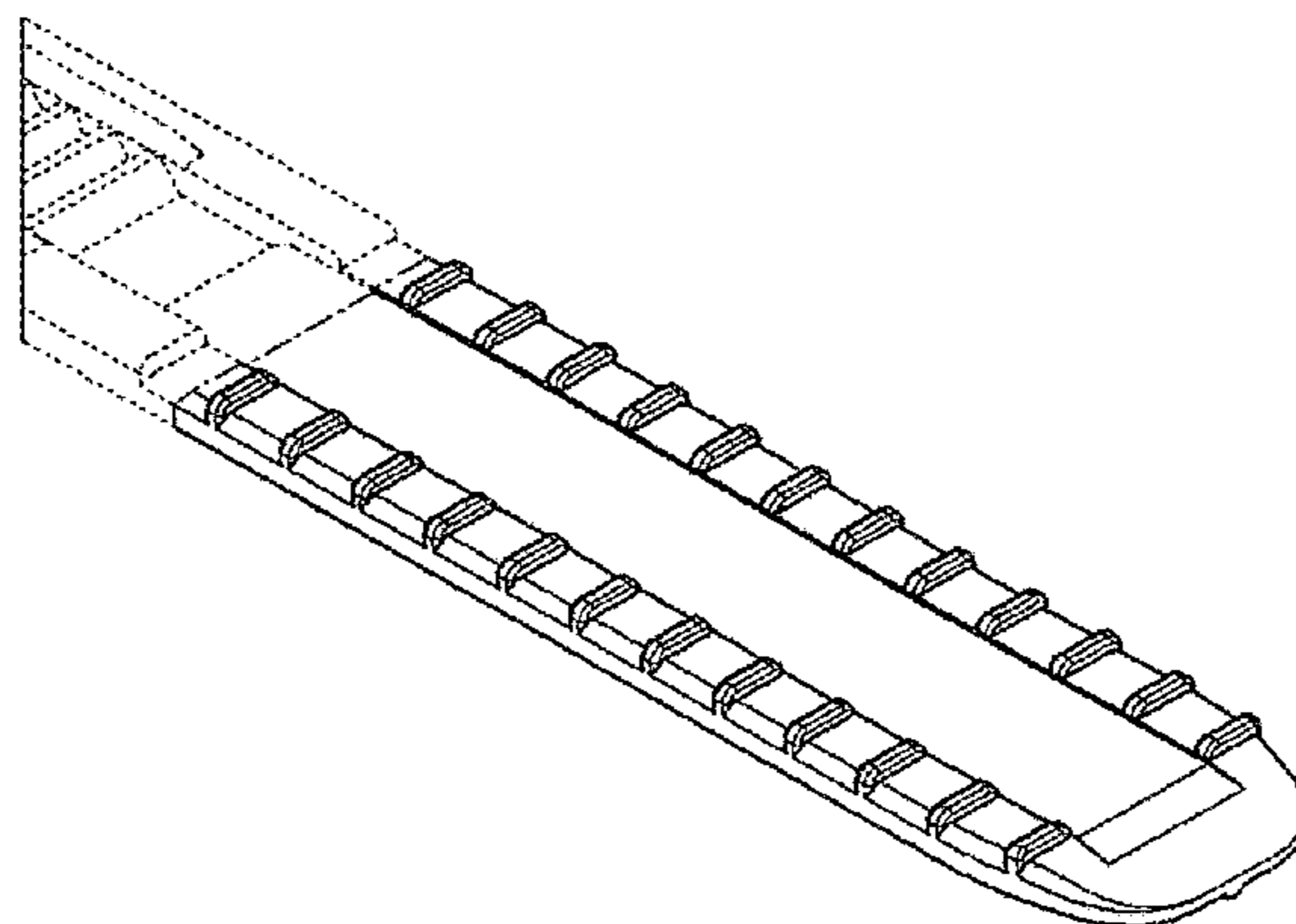
(56) **References Cited**

U.S. PATENT DOCUMENTS

2,936,980 A * 5/1960 Rapata F16L 3/12
24/16 PB
D201,798 S * 8/1965 Miller D8/394
3,660,869 A * 5/1972 Caveney B29C 45/4407
24/16 PB
5,317,787 A * 6/1994 Fortsch B65D 63/1072
24/16 PB

(Continued)

1 Claim, 4 Drawing Sheets



(56)

References Cited

U.S. PATENT DOCUMENTS

D380,375 S * 7/1997 Rohaly D8/394
D459,206 S * 6/2002 Caveney D8/380
D471,435 S * 3/2003 Krisel D8/396
D488,374 S * 4/2004 Hussaini D8/396
6,745,439 B2 * 6/2004 Brownlee B65D 63/1036
24/16 PB
D537,333 S * 2/2007 Jowsey D8/396
D732,945 S * 6/2015 Asai D8/356
D751,888 S * 3/2016 Sakamoto D8/383
2005/0115029 A1 * 6/2005 Magno F16L 3/2334
24/16 PB
2007/0023586 A1 * 2/2007 Geiger B60R 16/0215
248/71
2007/0028426 A1 * 2/2007 Laporte B65D 63/1063
24/16 PB
2010/0024174 A1 * 2/2010 Gelibert A01K 11/00
24/20 EE

* cited by examiner

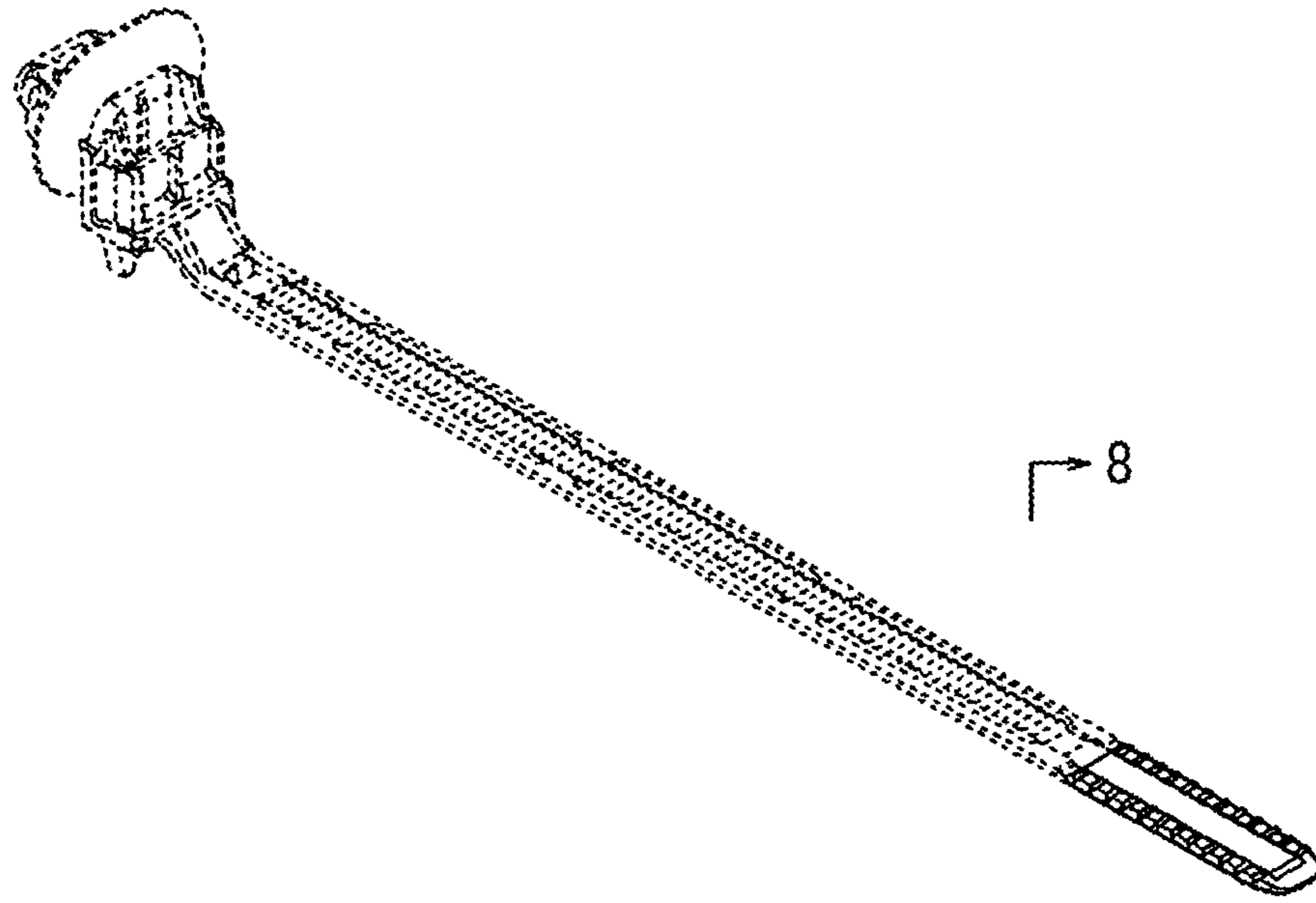


FIG. 1

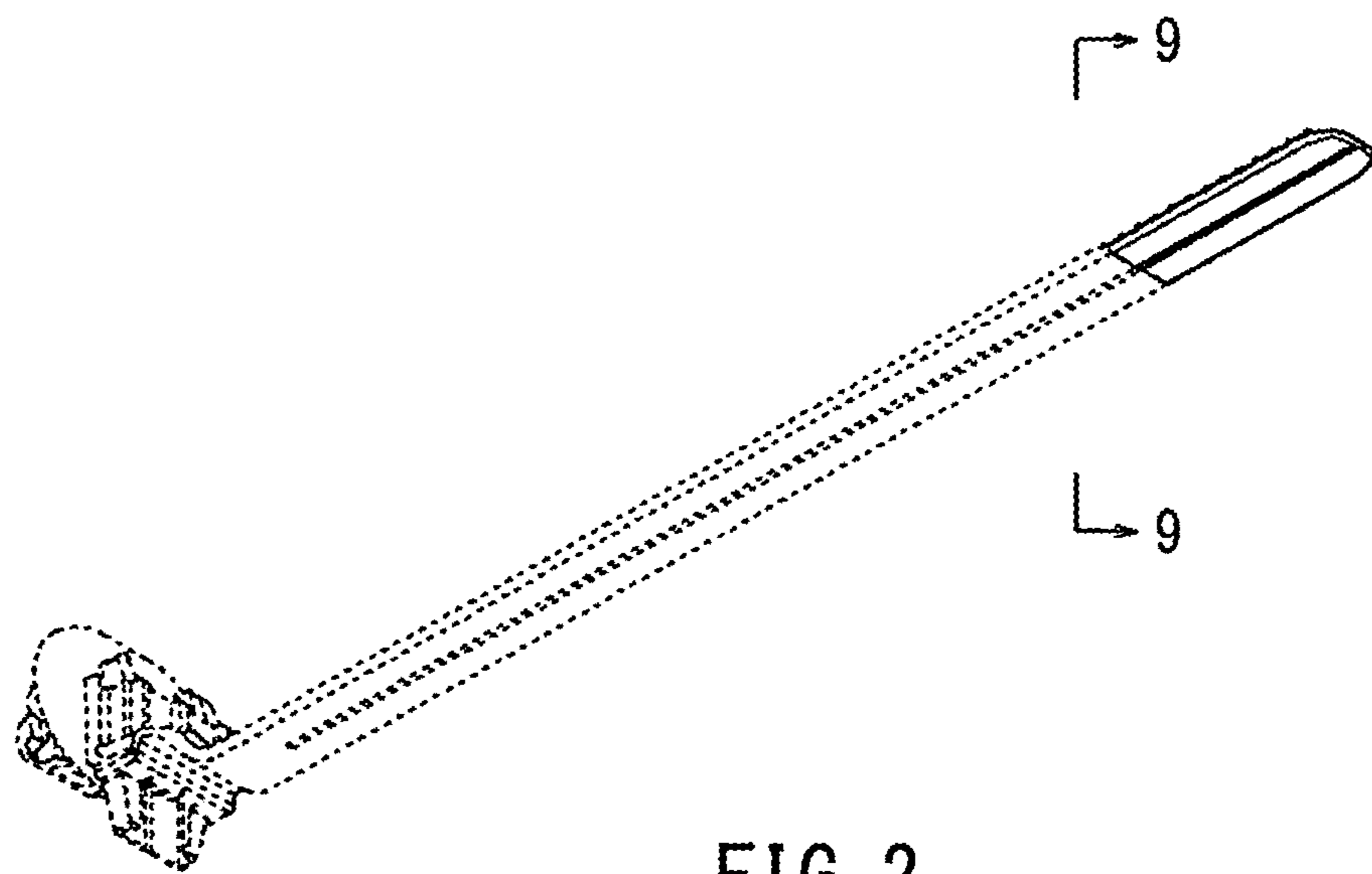
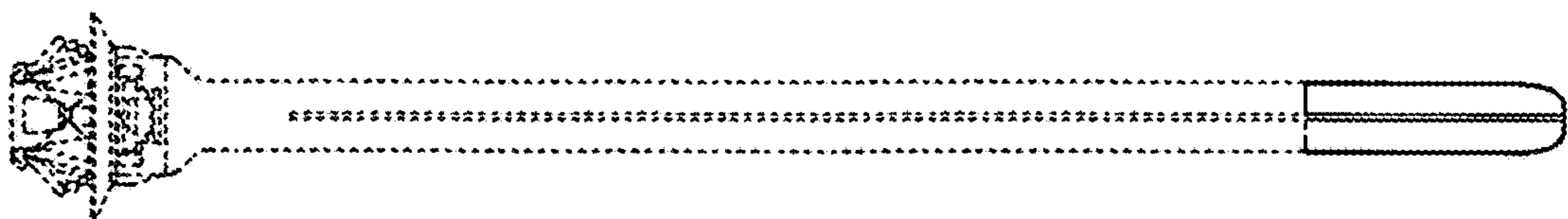
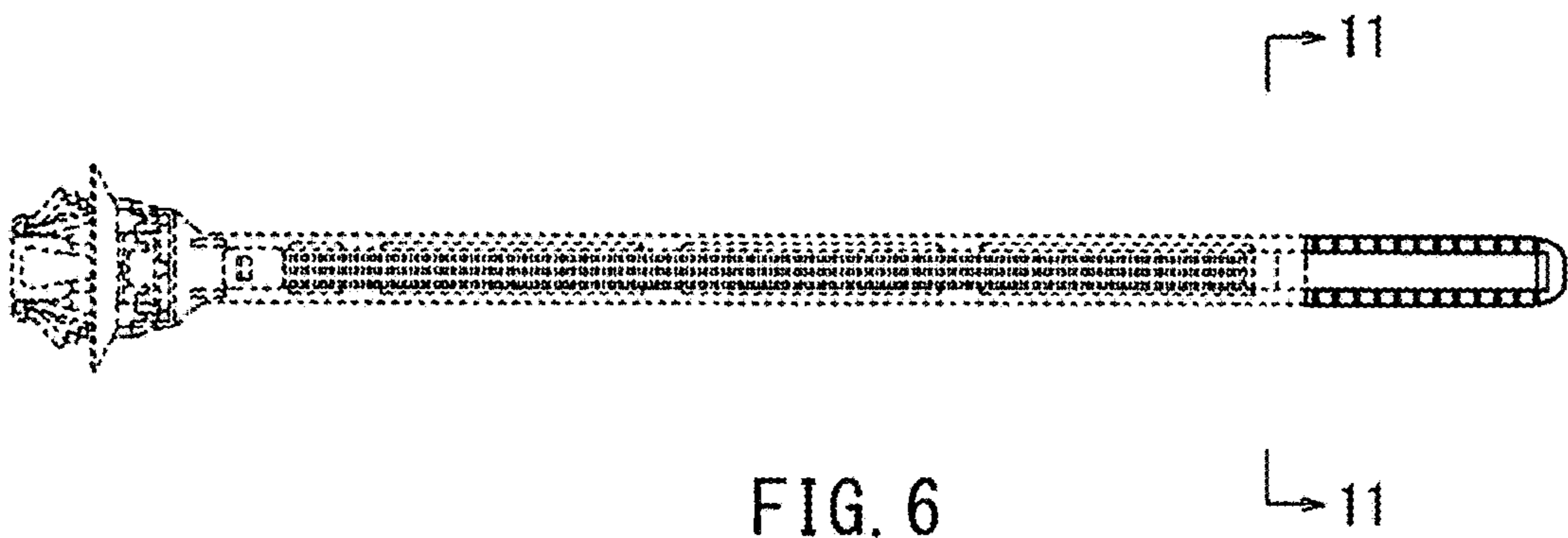
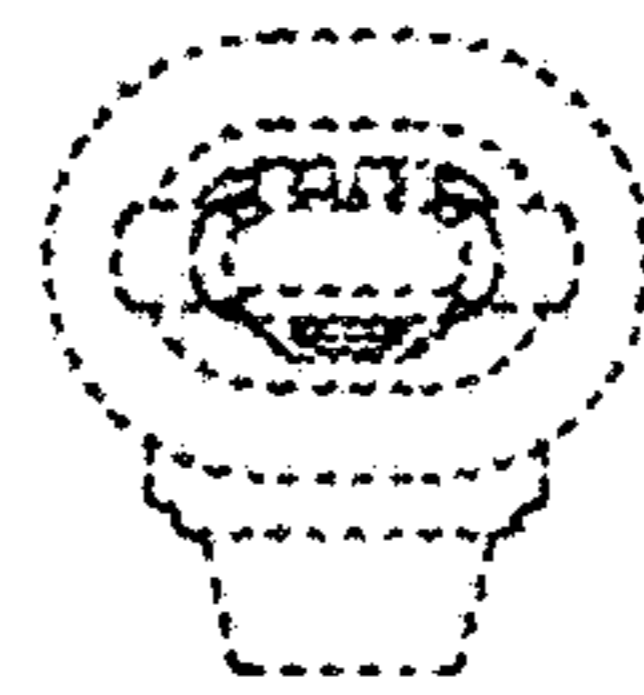
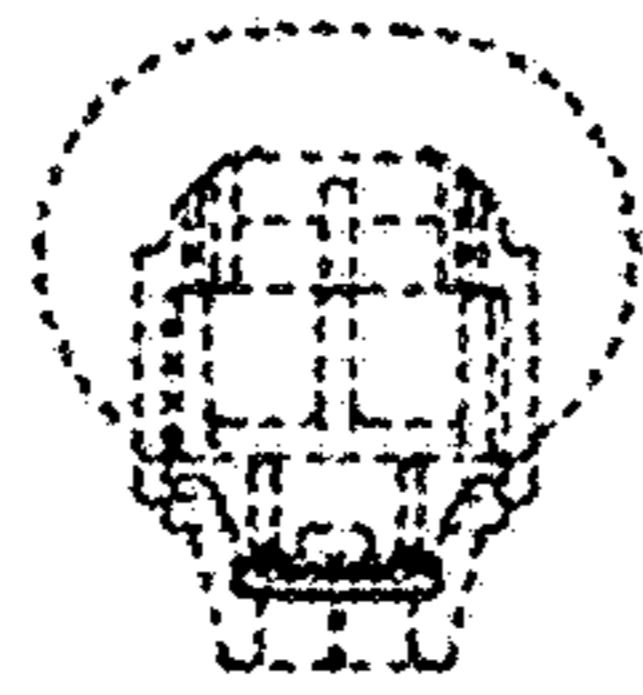
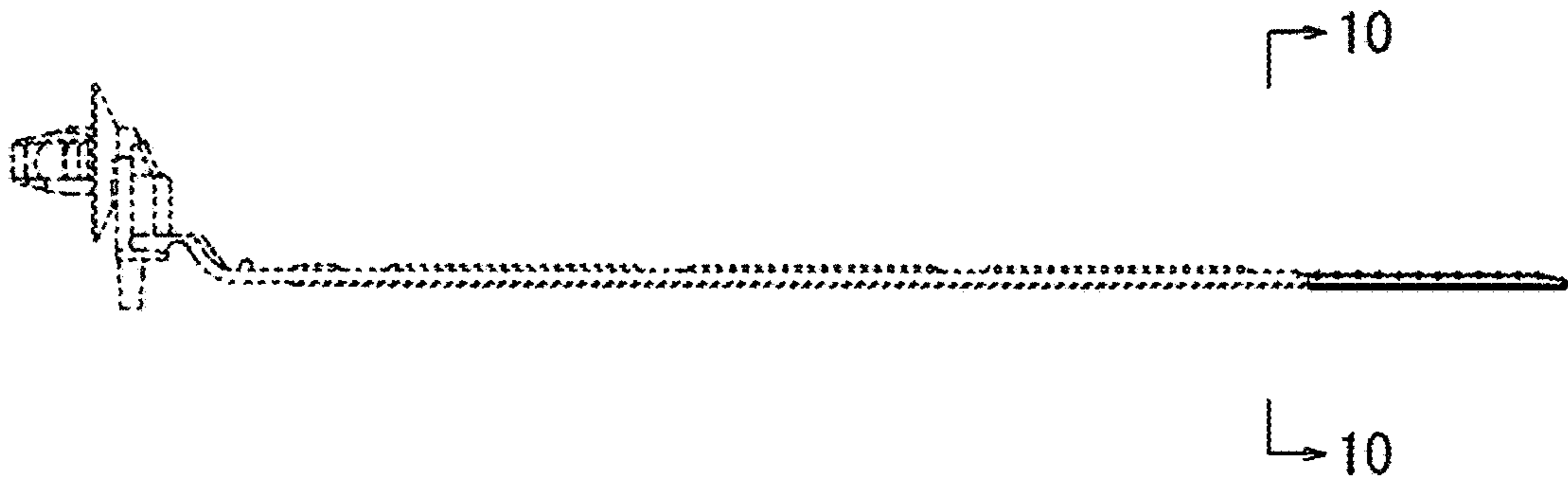


FIG. 2



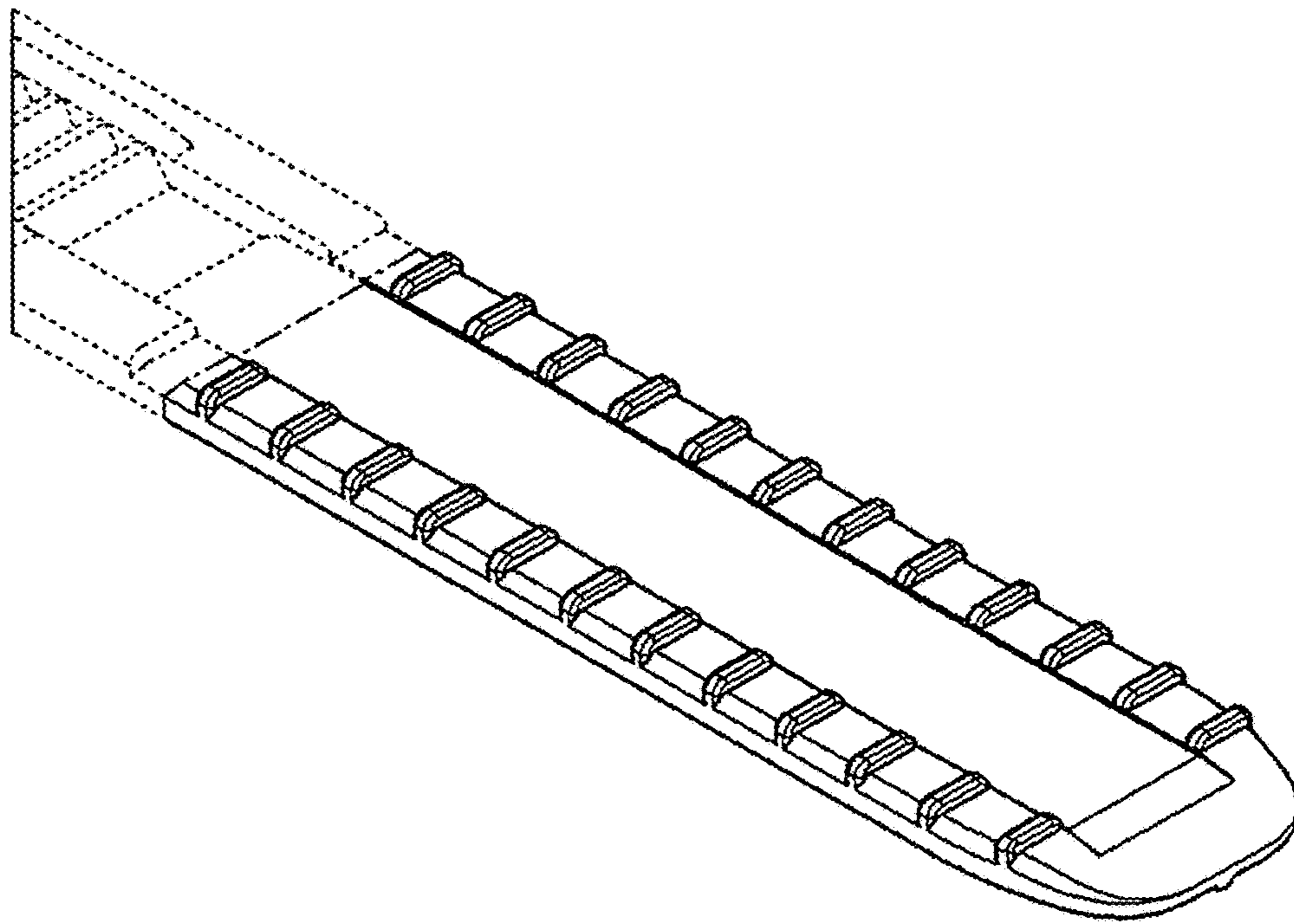


FIG. 8

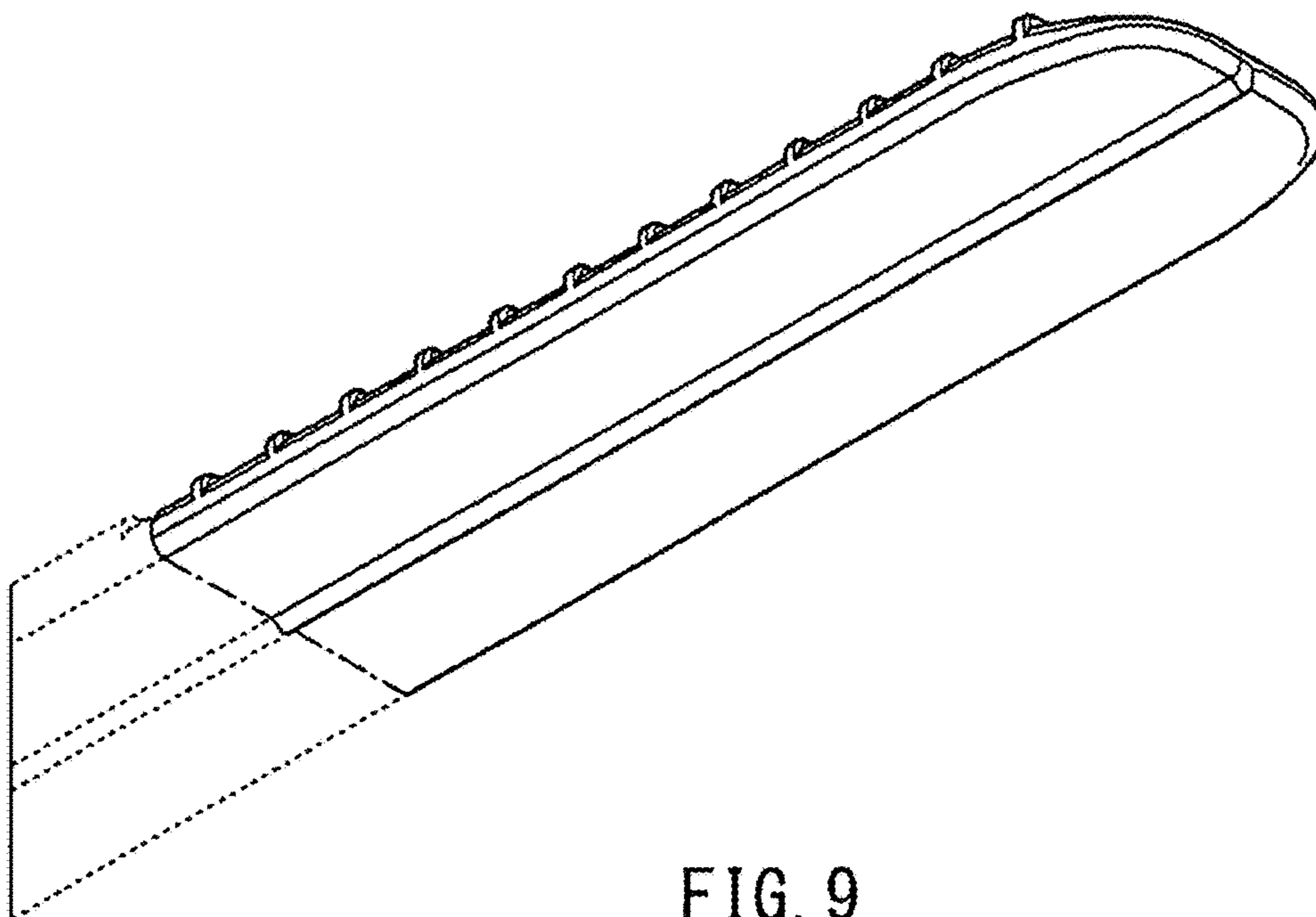


FIG. 9



FIG. 10

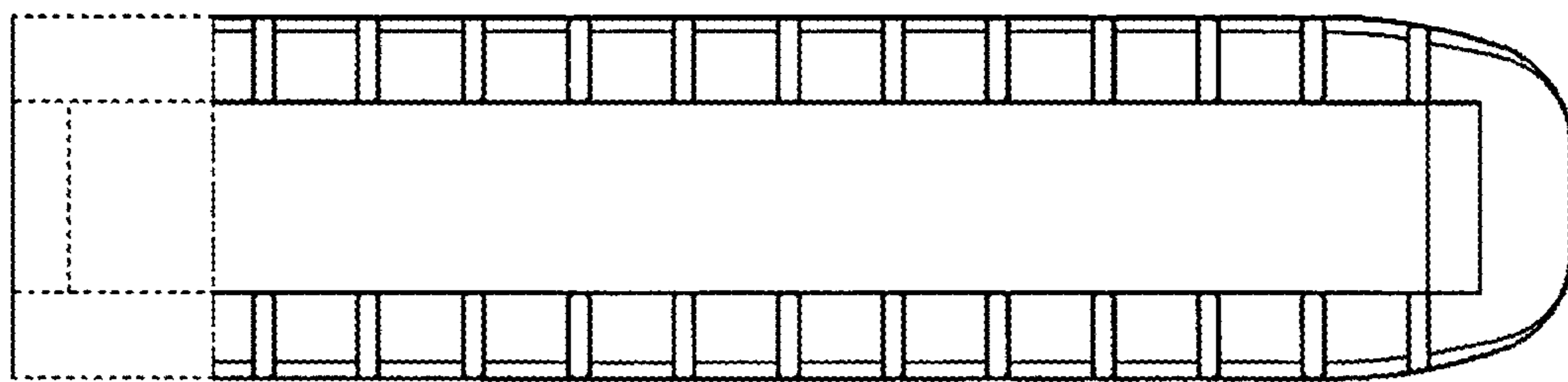


FIG. 11