



US00D778147S

(12) **United States Design Patent** (10) **Patent No.:** **US D778,147 S**
Huang (45) **Date of Patent:** **** Feb. 7, 2017**

- (54) **BOTTLE CAGE CONNECTION SEAT**
- (71) Applicant: **SIENNA GROUP CORPORATION,**
Taichung (TW)
- (72) Inventor: **Yao-Ching Huang,** Taichung (TW)
- (73) Assignee: **SIENNA GROUP CORPORATION,**
Taichung (TW)
- (**) Term: **15 Years**
- (21) Appl. No.: **29/526,925**
- (22) Filed: **May 14, 2015**
- (51) **LOC (10) Cl.** **08-08**
- (52) **U.S. Cl.**
USPC **D8/382**
- (58) **Field of Classification Search**
USPC D8/382, 349, 354, 355, 363, 366, 499;
D3/201, 202, 318, 328; D12/111, 114,
D12/117, 411, 223
CPC B62J 11/00; B62J 9/005; B62J 9/00;
Y10S 224/926; A45F 2200/0583; F16M
13/02; B62K 19/40
See application file for complete search history.

- 5,845,830 A * 12/1998 Dreiling B62J 7/04
224/412
- D488,104 S * 4/2004 Triebold D12/114
- D550,542 S * 9/2007 Worrall D8/363
- D656,079 S * 3/2012 Dales D12/223
- D688,984 S * 9/2013 Pirolo D12/114
- D717,700 S * 11/2014 Dasbach D12/111
- 2004/0178244 A1* 9/2004 Houtte B62J 11/00
224/414
- 2012/0037677 A1* 2/2012 Valiquette B62J 11/00
224/414
- 2013/0161365 A1* 6/2013 Shih B62J 11/00
224/414
- 2016/0046341 A1* 2/2016 Briney B62J 11/00
224/414

* cited by examiner

Primary Examiner — Sandra Snapp
Assistant Examiner — Ieisha Price
(74) *Attorney, Agent, or Firm* — Jackson IPG PLLC;
Demian K. Jackson

(57) **CLAIM**

The ornamental design for a bottle cage connection seat, as shown and described.

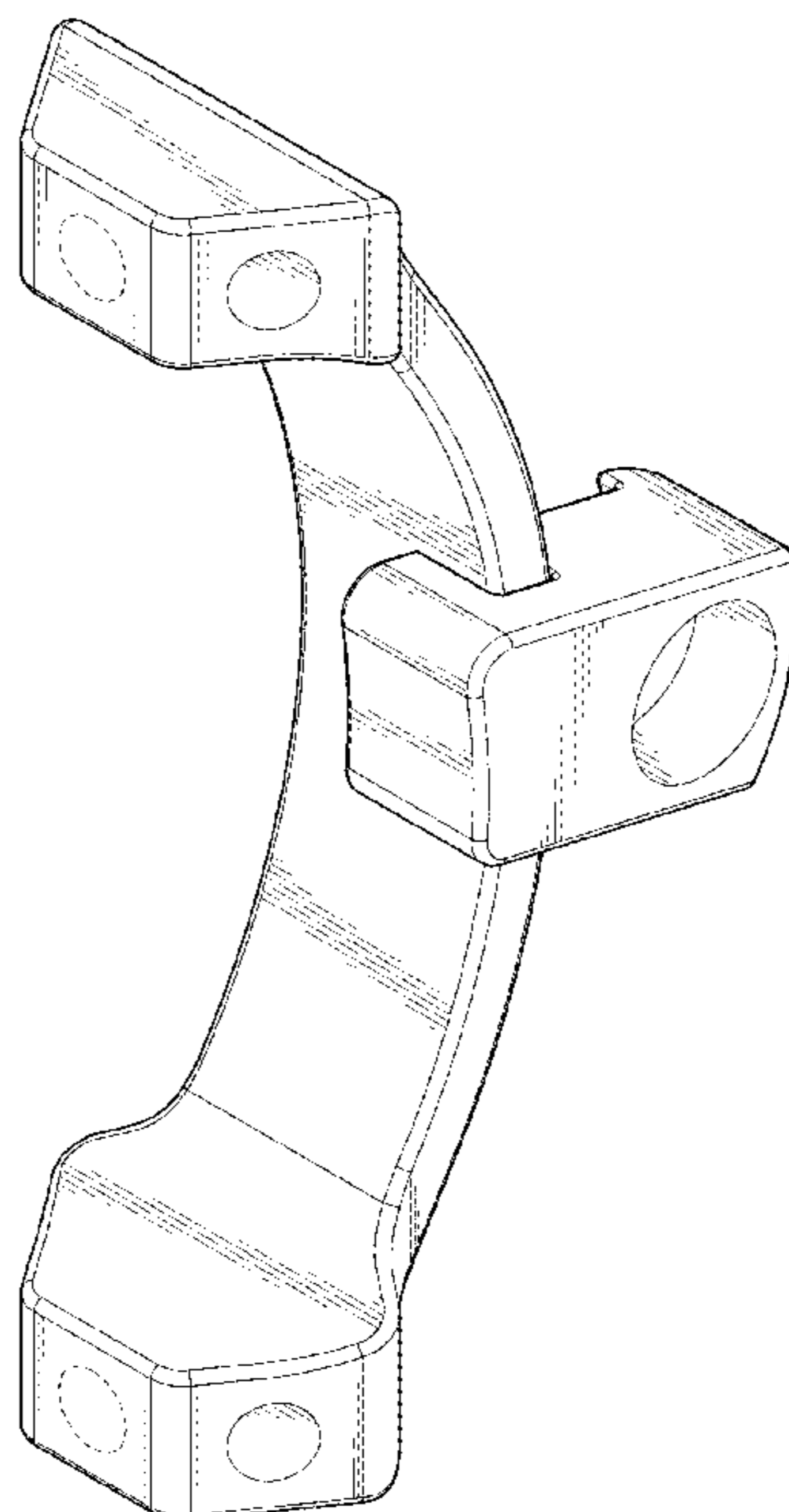
DESCRIPTION

FIG. 1 a perspective view of a bottle cage connection seat showing my new design;
FIG. 2 is a front elevation view thereof;
FIG. 3 is a rear elevation view thereof;
FIG. 4 is a right side view thereof;
FIG. 5 is a left side view thereof;
FIG. 6 is a top plan view thereof; and,
FIG. 7 is a bottom plan view thereof.
Those portions of the illustrated design illustrated by broken lines form no part of the claimed design.

1 Claim, 6 Drawing Sheets

(56) **References Cited**
U.S. PATENT DOCUMENTS

- D215,141 S * 9/1969 Harmsen D13/128
- D339,975 S * 10/1993 Bird D23/262
- 5,301,860 A * 4/1994 Paczonay B62J 11/00
224/414
- 5,497,593 A * 3/1996 Riesberg E04B 5/12
403/232.1
- D376,756 S * 12/1996 Adams D8/382
- D377,748 S * 2/1997 Keller D3/318



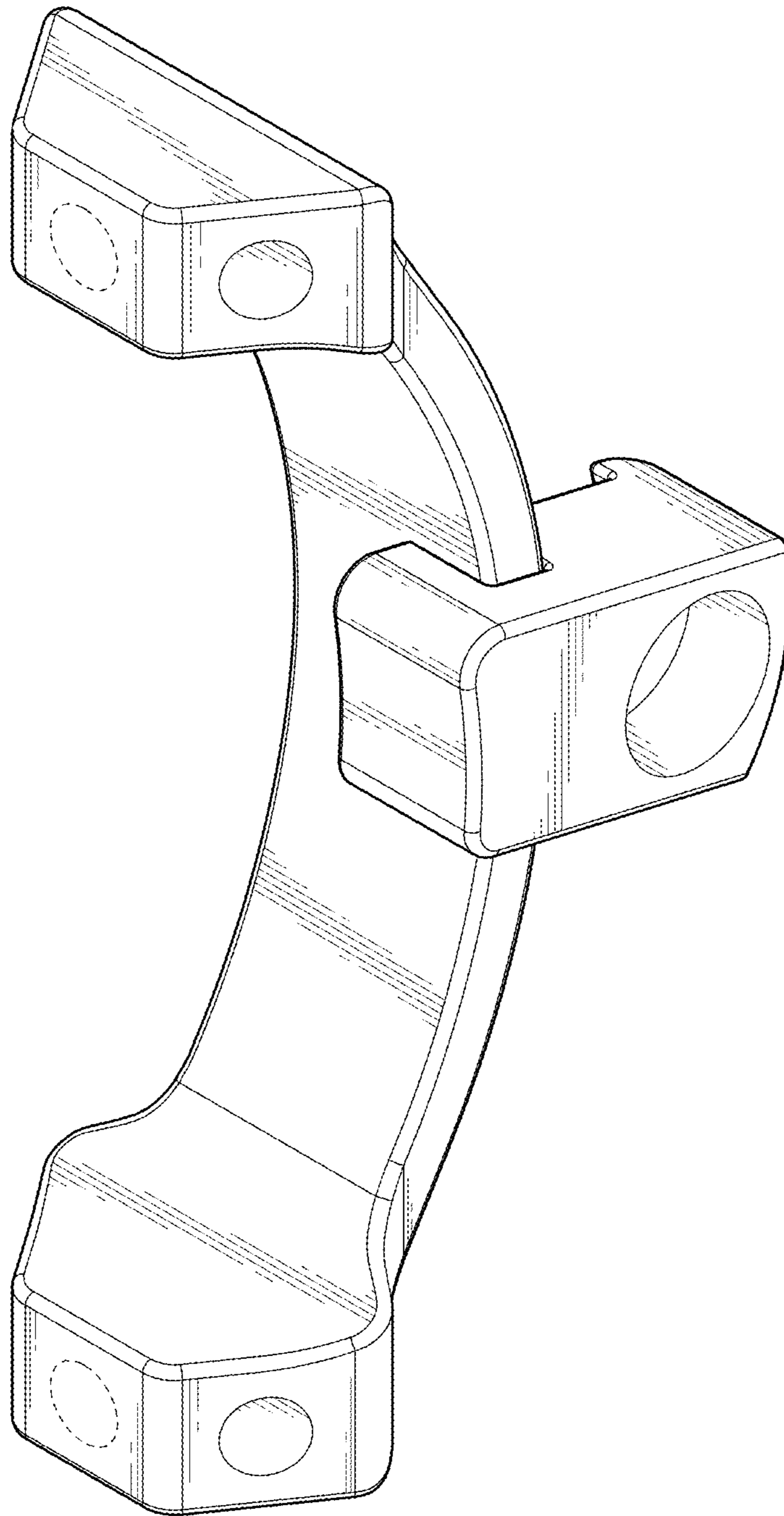


Fig. 1

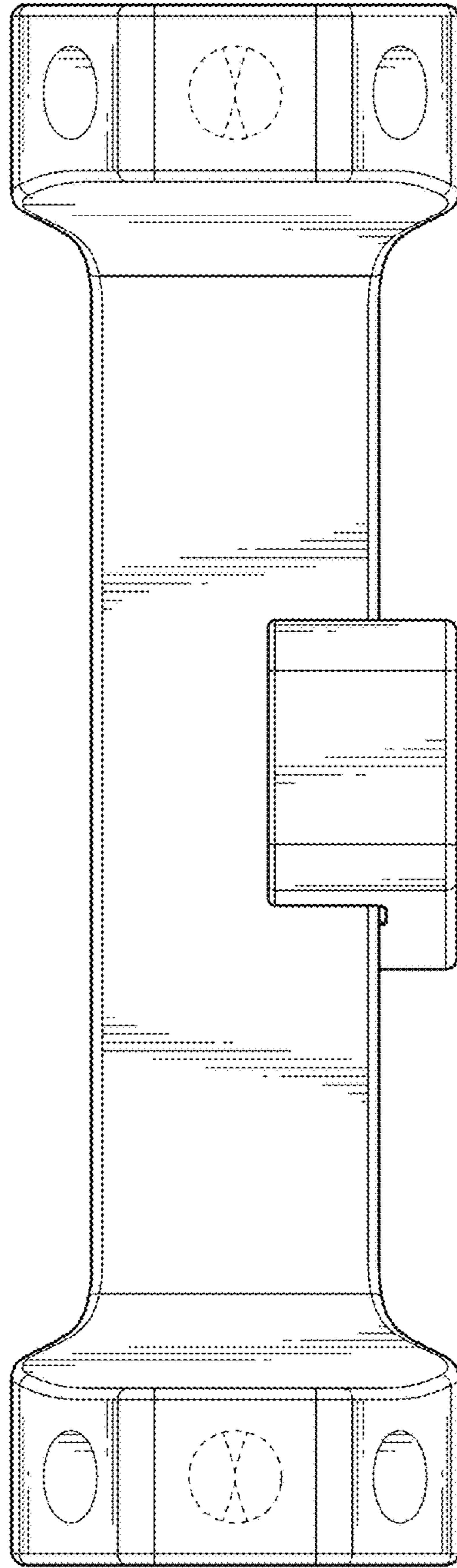


Fig. 2

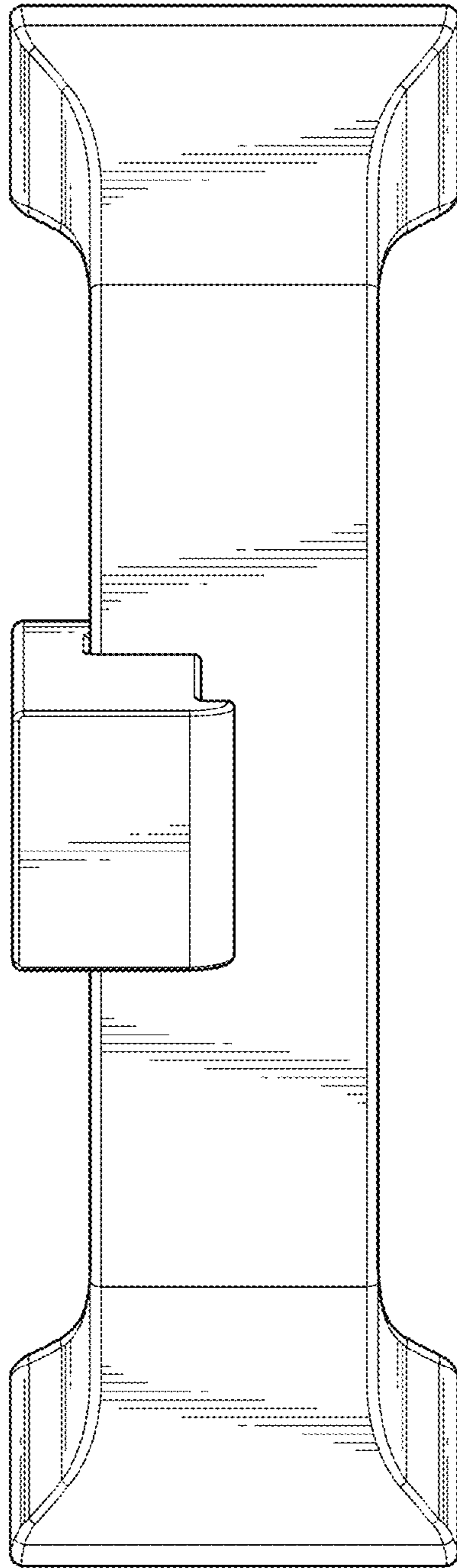


Fig. 3

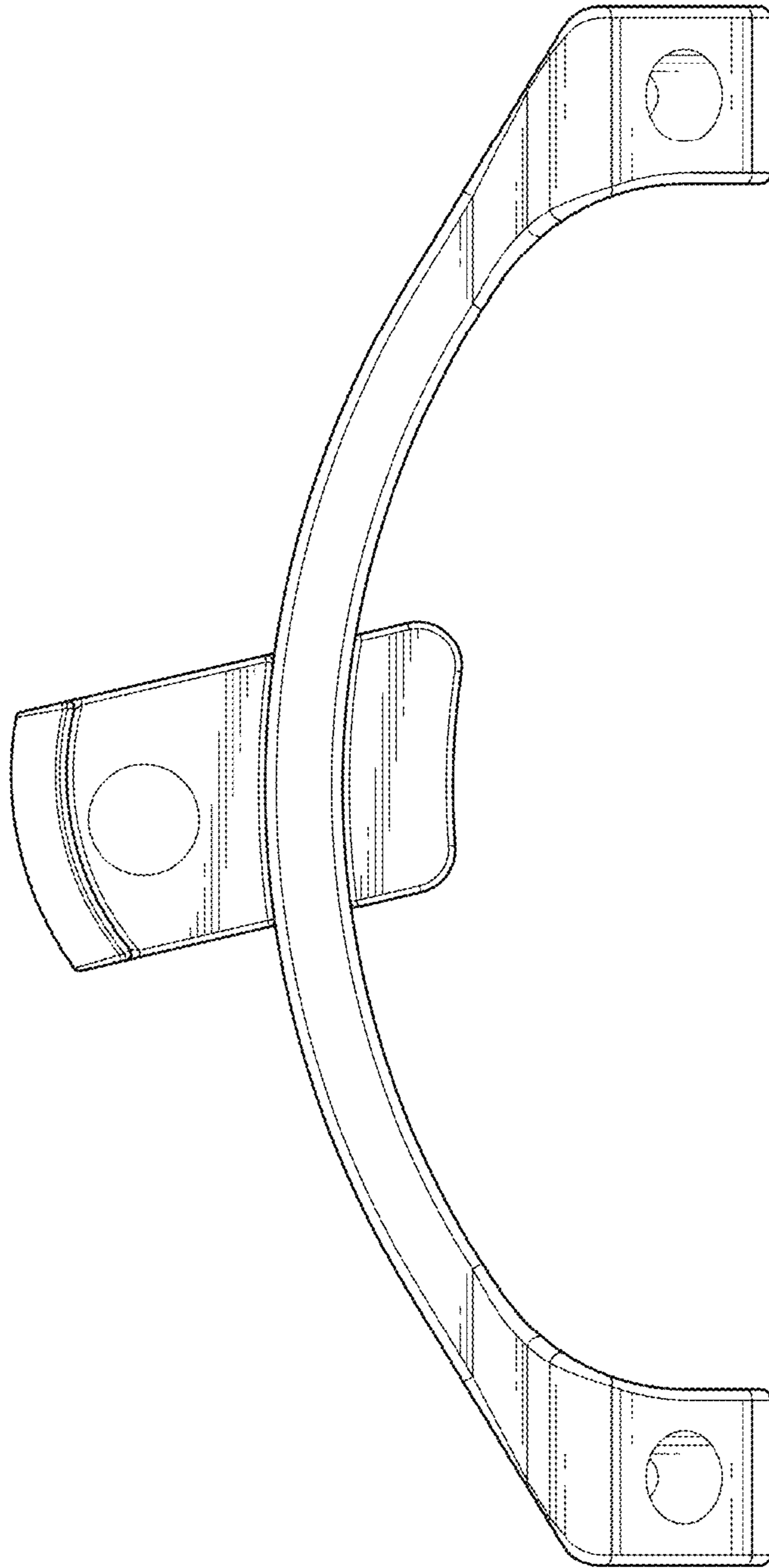


Fig. 4

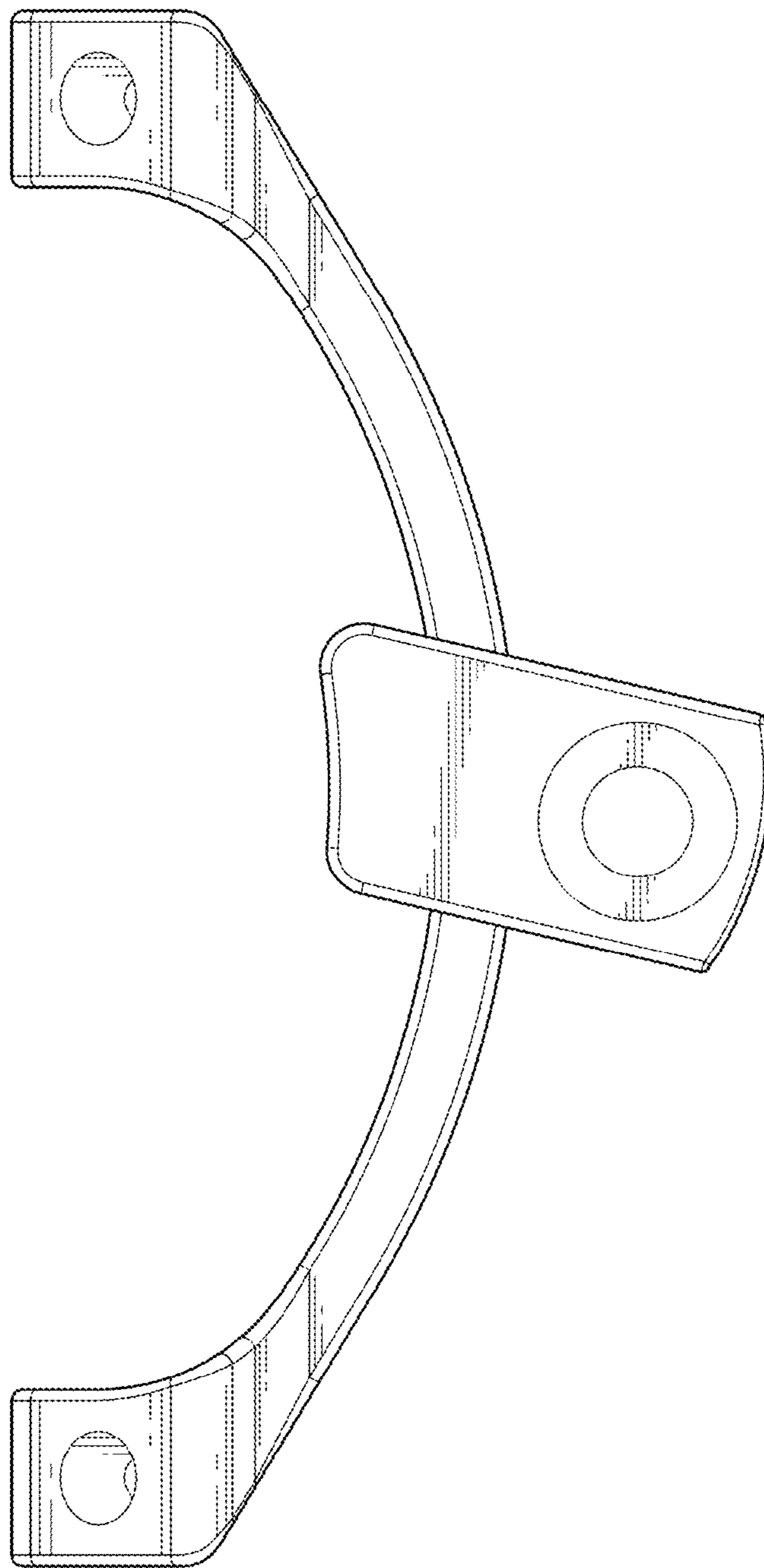


Fig. 5

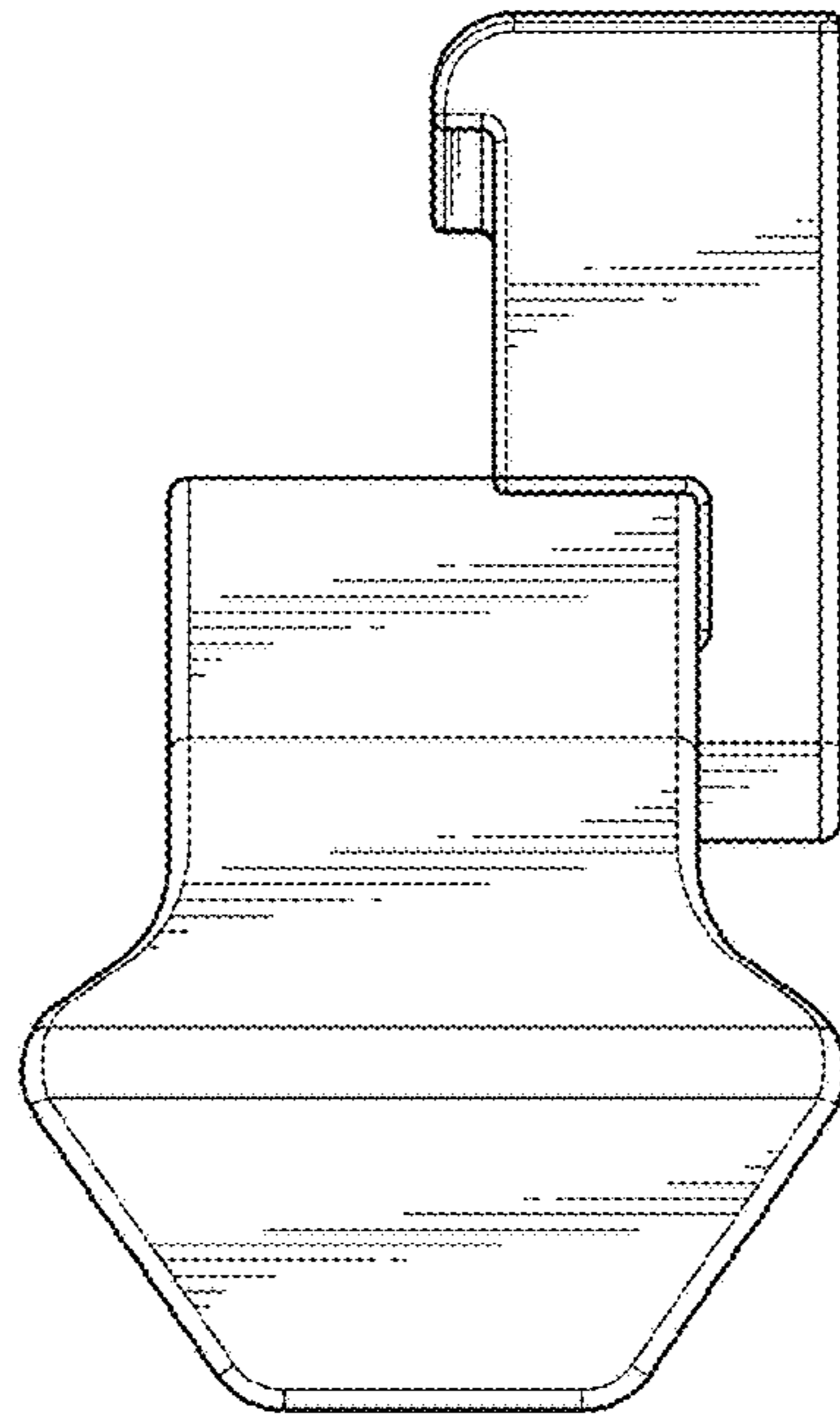


Fig. 6

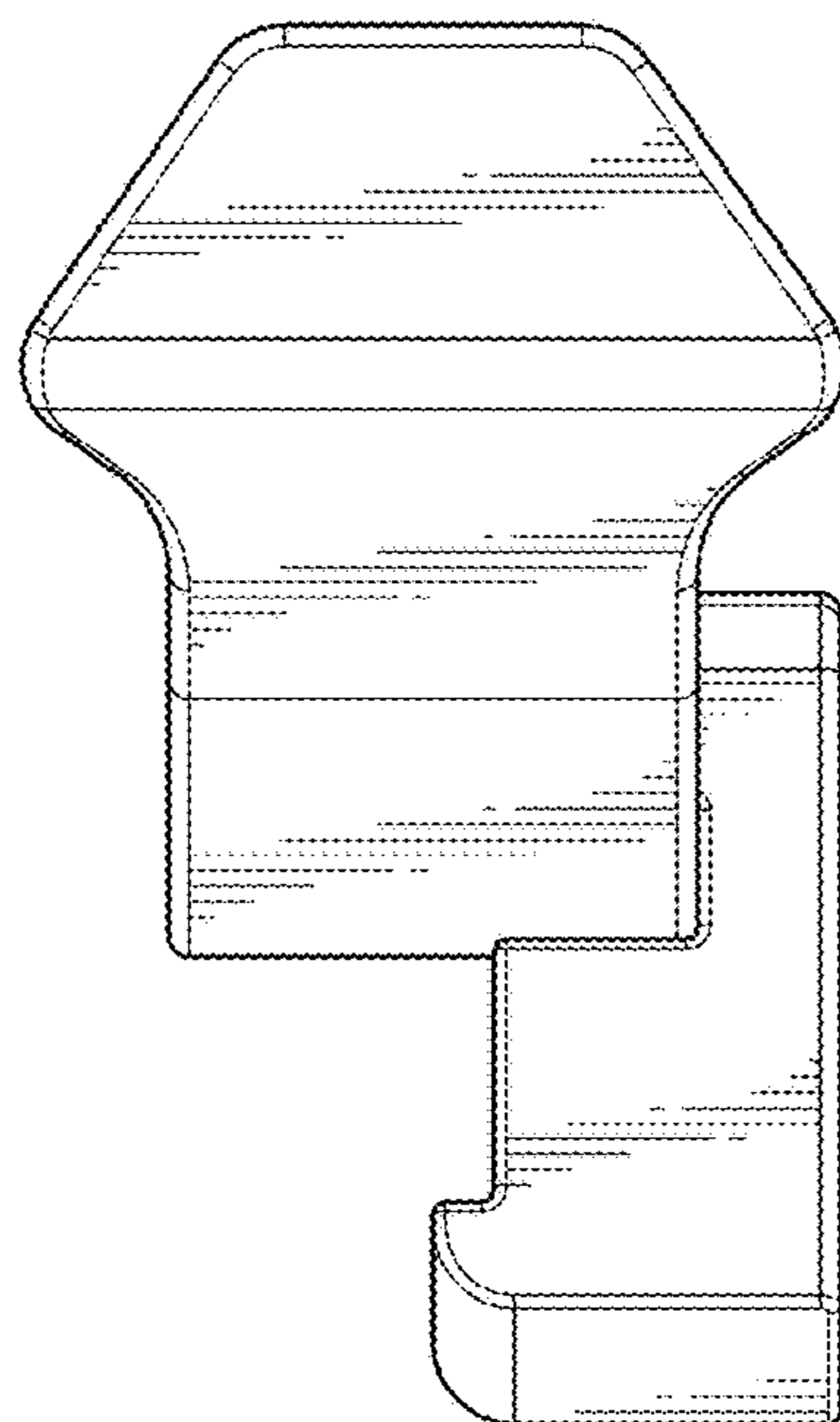


Fig. 7