



US00D778145S

(12) **United States Design Patent** (10) **Patent No.:** **US D778,145 S**
Smith (45) **Date of Patent:** **** Feb. 7, 2017**

(54) **SHAKE-PROOF HOOK**
(71) Applicant: **S&C Electric Company**, Chicago, IL (US)
(72) Inventor: **Richard George Smith**, North Aurora, IL (US)
(73) Assignee: **S&C ELECTRIC COMPANY**, Chicago, IL (US)

5,538,303 A * 7/1996 Dunham B63B 21/54
24/599.1
D399,127 S * 10/1998 Messer D8/367
5,884,950 A * 3/1999 Fredriksson B66C 1/125
294/82.11
6,283,524 B1 * 9/2001 Simond A62B 1/04
24/600.1
D449,975 S * 11/2001 Smith D8/356
D455,642 S * 4/2002 Kelleghan D8/367
D466,791 S * 12/2002 Kelleghan D8/356
D468,997 S * 1/2003 Chang D8/356
D485,431 S * 1/2004 Hsu D3/210

(**) Term: **15 Years**

Primary Examiner — Cynthia Underwood
(74) *Attorney, Agent, or Firm* — Lorenz & Kopf LLP

(21) Appl. No.: **29/545,287**

(22) Filed: **Nov. 11, 2015**

(57) **CLAIM**

(51) **LOC (10) Cl.** **08-05**

The ornamental design for a shake-proof hook, as shown and described.

(52) **U.S. Cl.**

USPC **D8/367**

(58) **Field of Classification Search**

USPC D8/67, 354, 349; D34/35
CPC F16B 45/02; B66C 1/125; B66C 1/36;
A62B 35/0037

DESCRIPTION

See application file for complete search history.

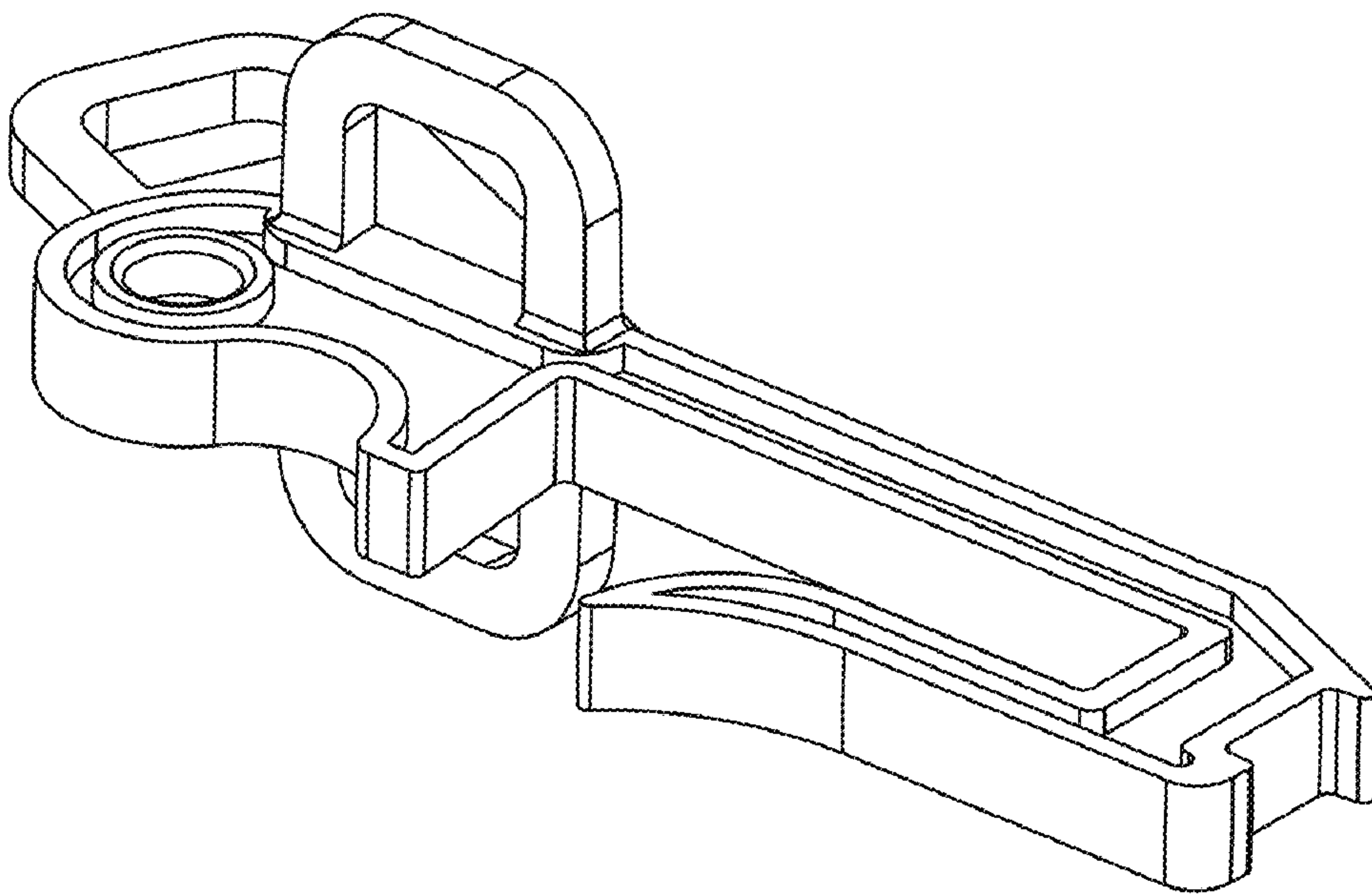
FIG. 1 is a front perspective view of the shake-proof hook in accordance with an exemplary embodiment;
FIG. 2 is a rear perspective view of the shake-proof hook, the rear perspective view opposing the front perspective view of FIG. 1;
FIG. 3 is a top view of the shake-proof hook of FIG. 1;
FIG. 4 is a first side view of the shake-proof hook of FIG. 1;
FIG. 5 is a first end view of the shake-proof hook of FIG. 1;
FIG. 6 is a second end view of the shake-proof hook, the second end view opposing the first end view of FIG. 5;
FIG. 7 is a second side view of the shake-proof hook, the second side view opposing the first side view of FIG. 4; and,
FIG. 8 is a bottom view of the shake-proof hook, the bottom view opposing the top view of FIG. 3.

(56) **References Cited**

U.S. PATENT DOCUMENTS

D241,118 S * 8/1976 Schreyer D8/367
D271,465 S * 11/1983 Boissonnet D8/367
D272,717 S * 2/1984 Faidide D8/367
4,712,646 A * 12/1987 Page A62B 35/0068
182/9
D297,878 S * 9/1988 Bergstrom D34/35
D337,935 S * 8/1993 Hawley D8/367
5,257,441 A * 11/1993 Barlow F16B 45/02
24/599.5
5,292,165 A * 3/1994 Wiklund B66C 1/36
294/82.2

1 Claim, 3 Drawing Sheets



(56)

References Cited

U.S. PATENT DOCUMENTS

D496,256 S * 9/2004 Hong D8/367
D521,362 S * 5/2006 Kelleghan D8/356
D551,788 S * 9/2007 Bao D26/38
D573,875 S * 7/2008 Anderson D8/367
7,437,806 B2 * 10/2008 Lin F16B 45/02
24/599.5
D595,119 S * 6/2009 Kelleghan D8/356
D601,410 S * 10/2009 Lee D8/367
8,015,676 B1 * 9/2011 Choate F16B 45/02
24/599.5
D657,660 S * 4/2012 Petty D8/355
D659,518 S * 5/2012 Xu D8/356
8,276,247 B2 * 10/2012 Yang F16B 45/02
24/599.5
D670,555 S * 11/2012 Lin D8/367
D671,293 S * 11/2012 Fredriksson D34/35
8,572,819 B2 * 11/2013 Yang F16B 45/02
24/599.5
D699,098 S * 2/2014 Fretz D8/367
D708,931 S * 7/2014 Petzl D8/356
9,003,617 B2 * 4/2015 Walker F16B 45/02
24/599.1
D730,159 S * 5/2015 Grimm D8/356
D730,722 S * 6/2015 Grimm D8/356
D735,018 S * 7/2015 McEvilly D8/356
9,091,295 B1 * 7/2015 Yang A62B 35/0037
D738,196 S * 9/2015 Petzl D8/356
D743,778 S * 11/2015 Huang D8/367
9,175,717 B2 * 11/2015 Tardif F16B 45/02
9,249,602 B1 * 2/2016 Greer E05B 19/04
9,322,428 B2 * 4/2016 Perner F16B 45/02
D755,612 S * 5/2016 Cooper D8/367
D758,172 S * 6/2016 Hung D8/367

* cited by examiner

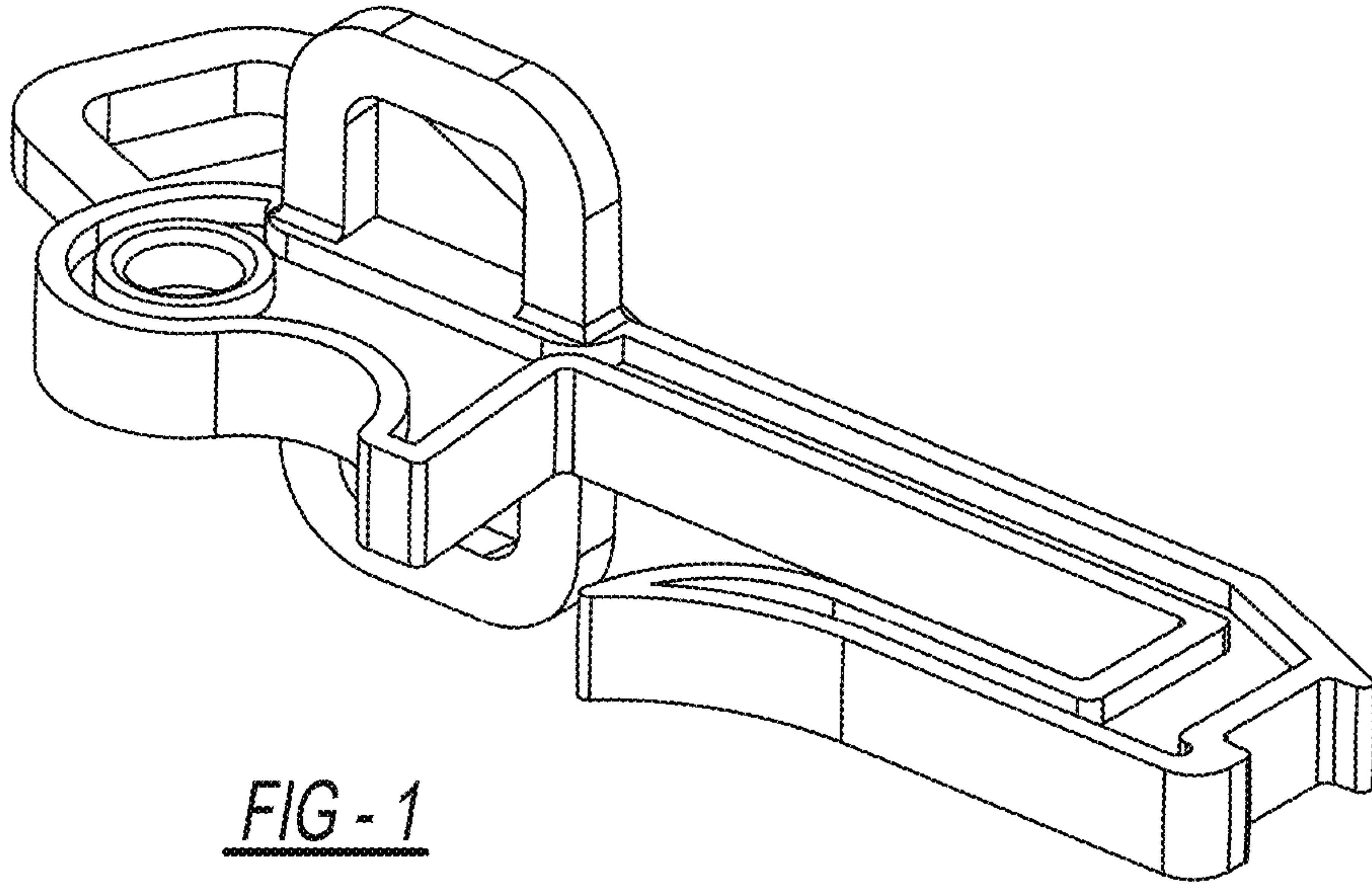


FIG - 1

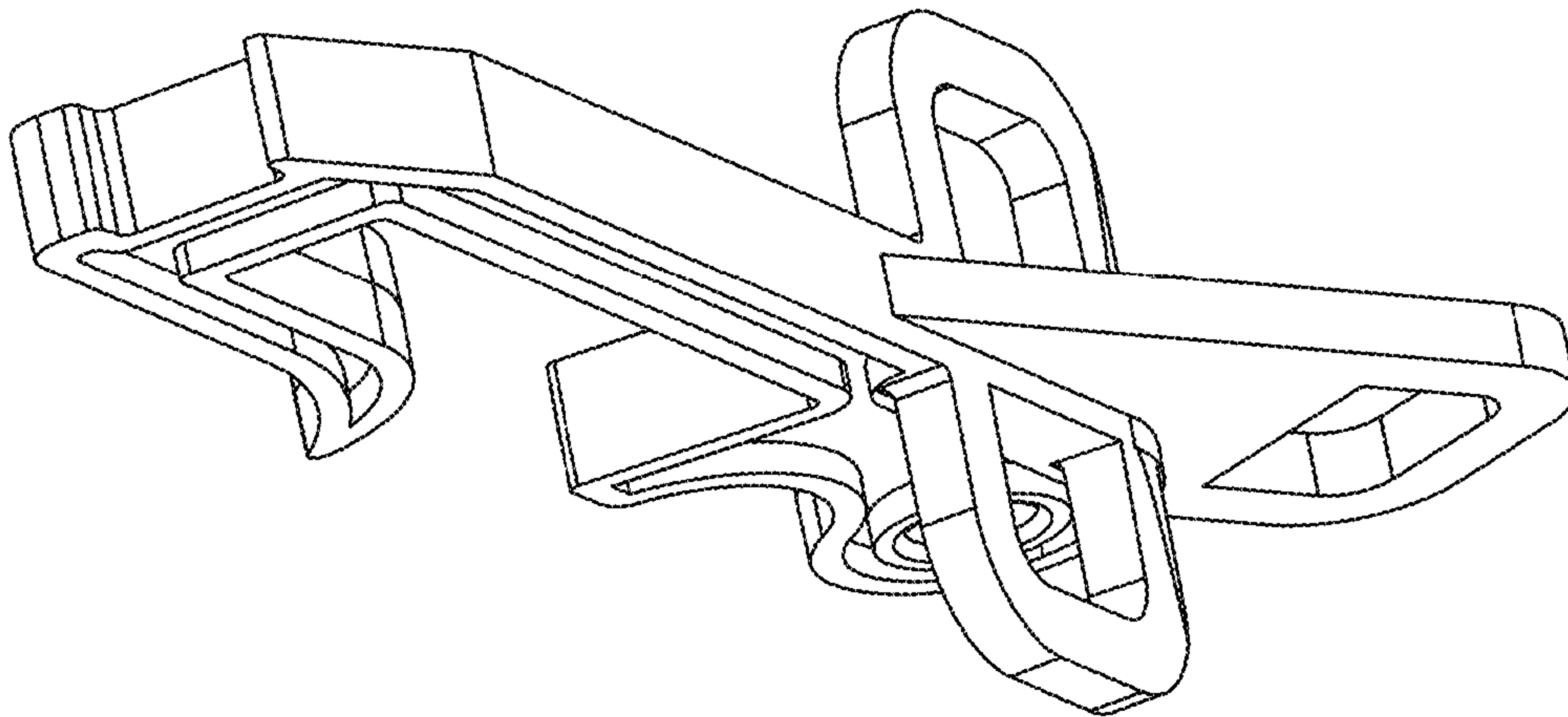


FIG - 2

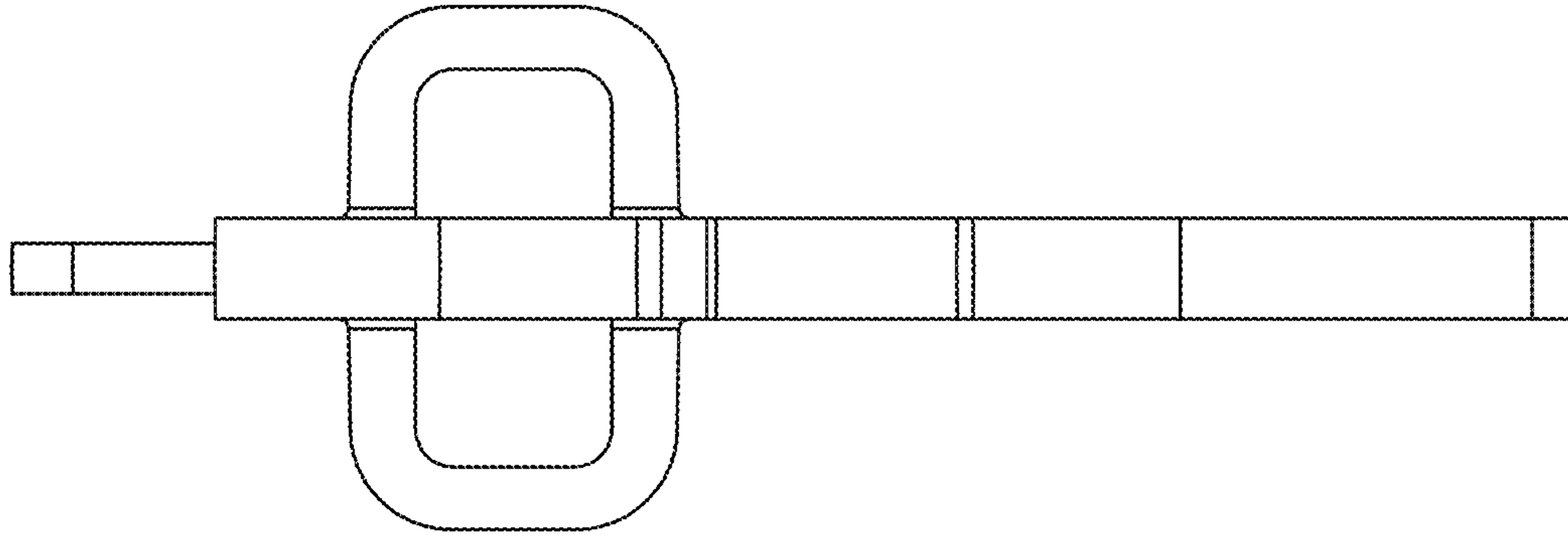


FIG - 3

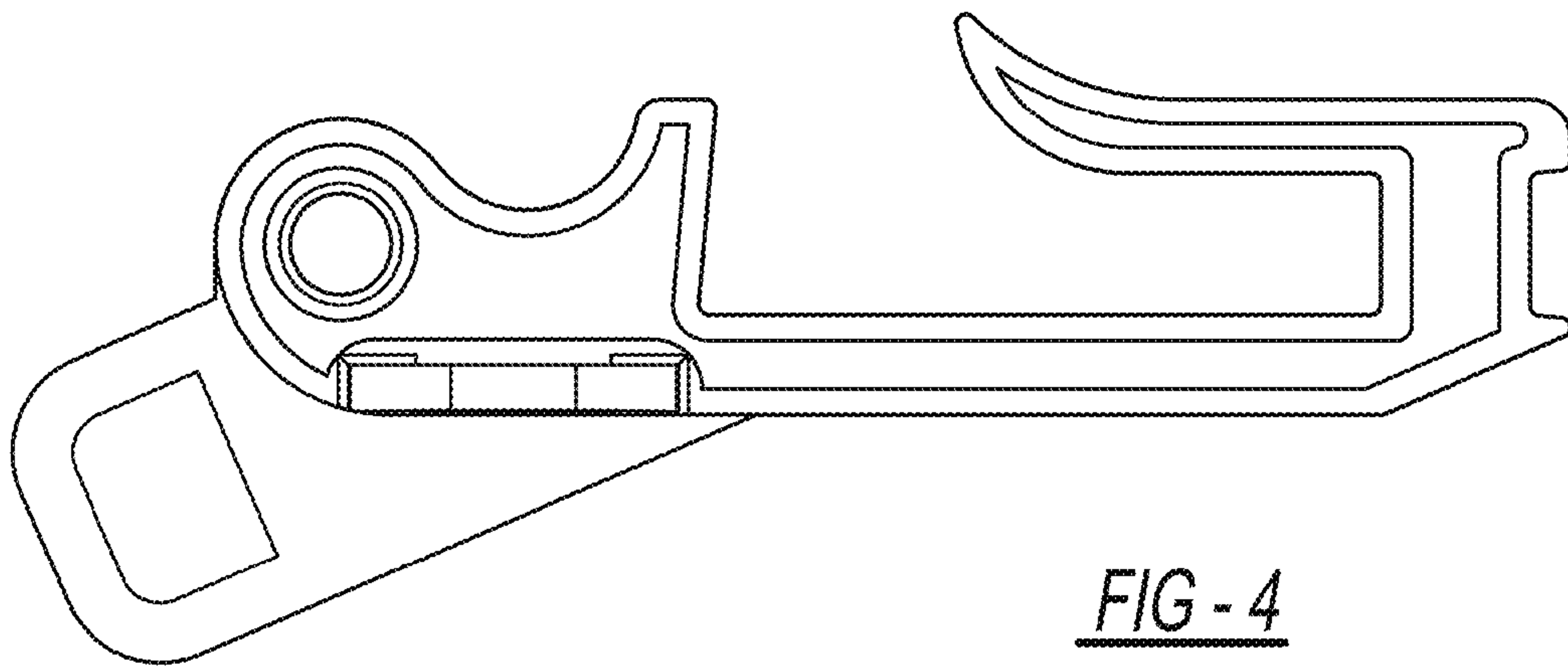


FIG - 4

FIG - 5

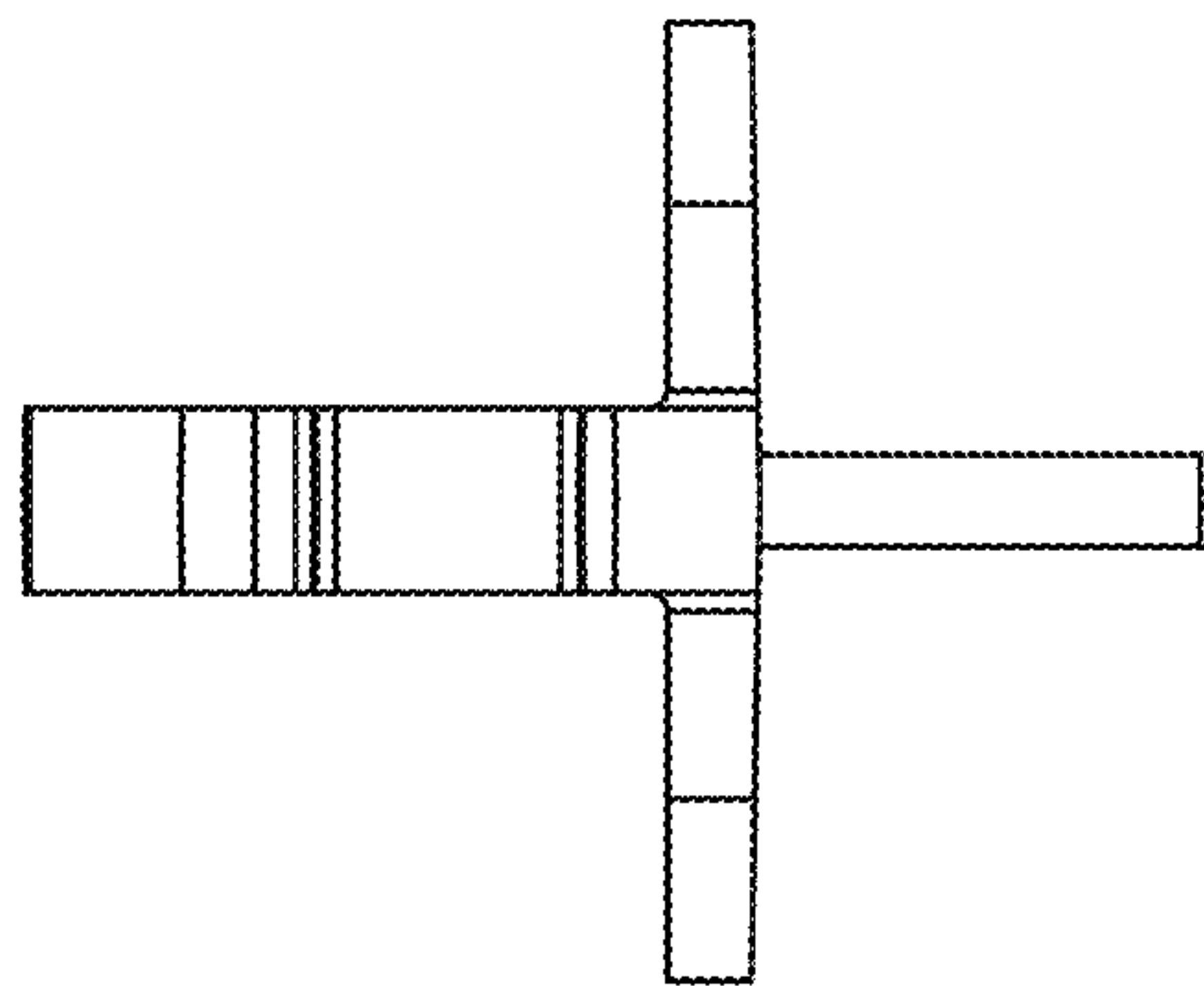


FIG - 6

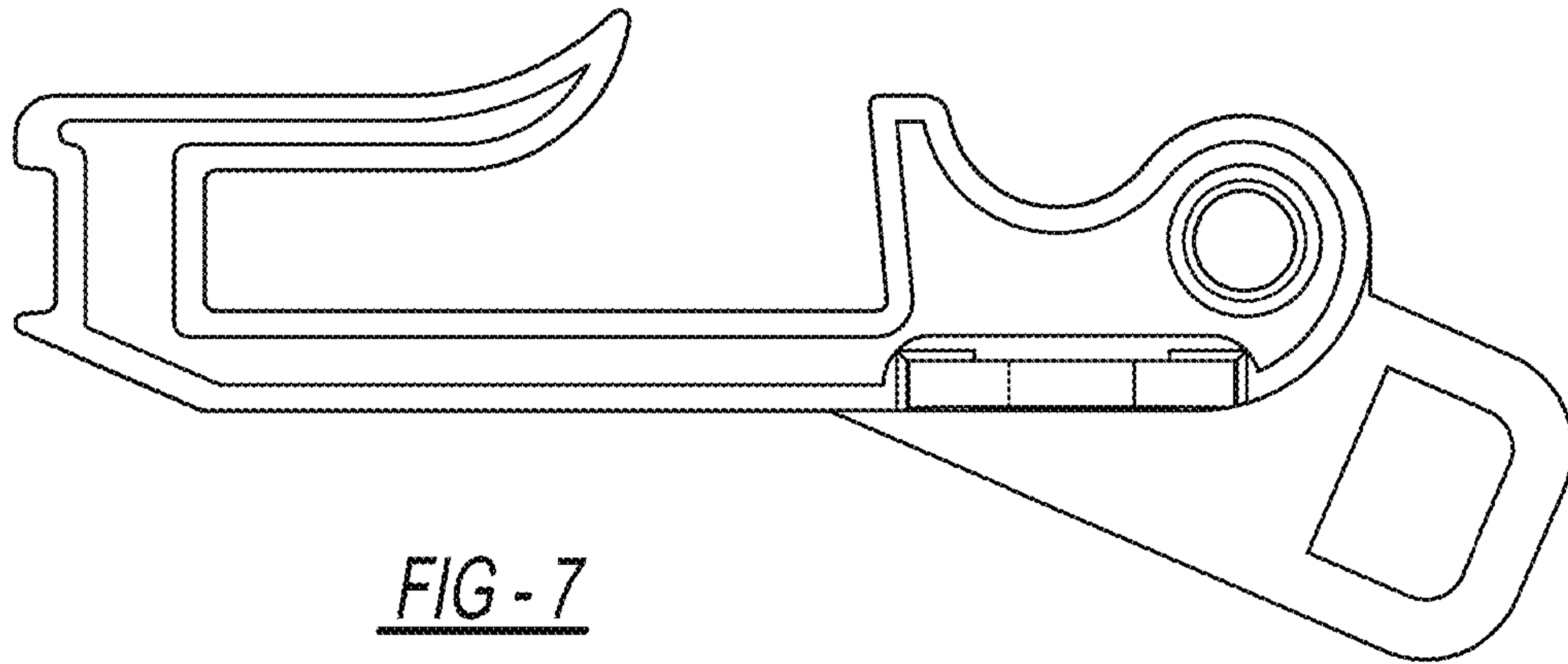
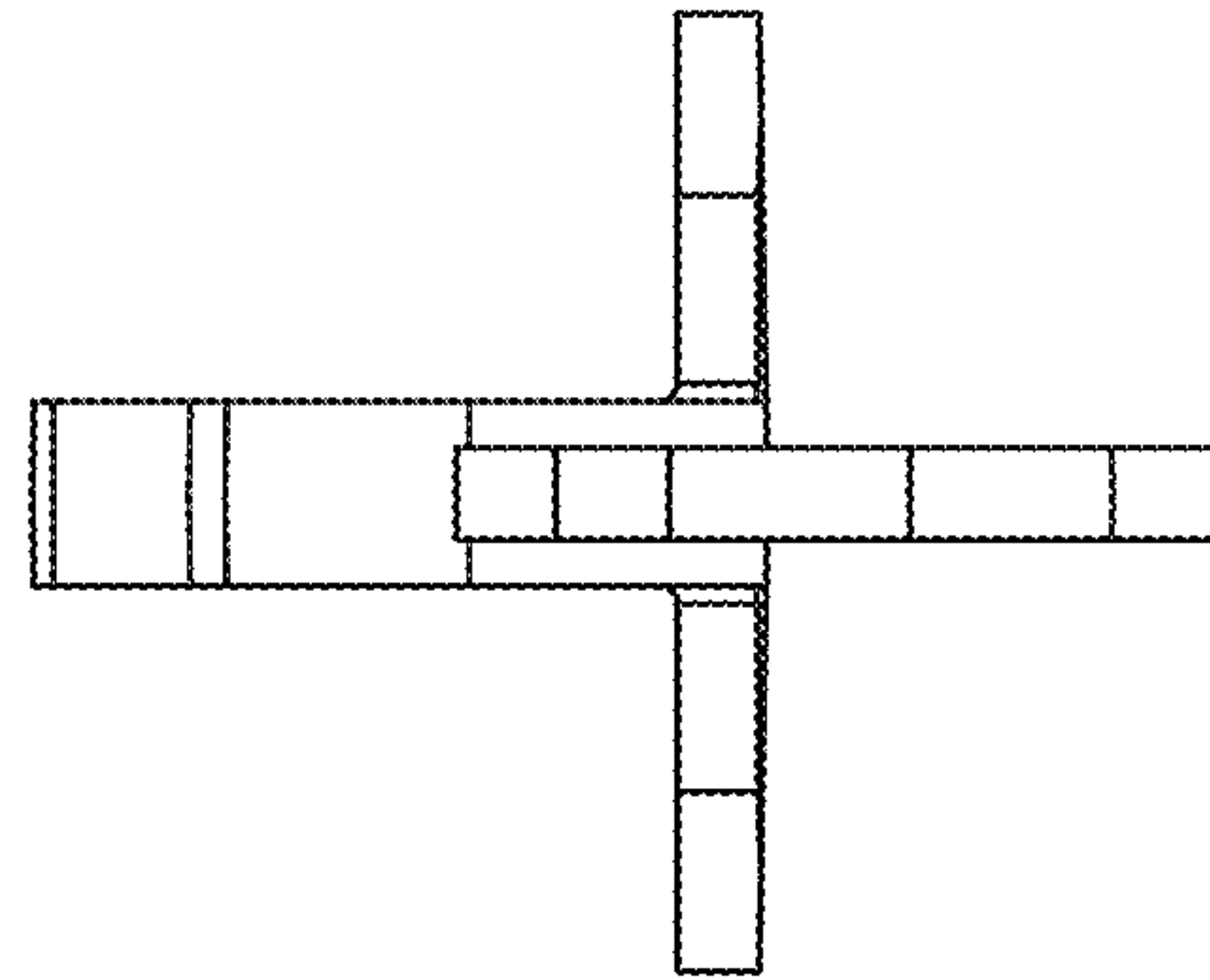


FIG - 7

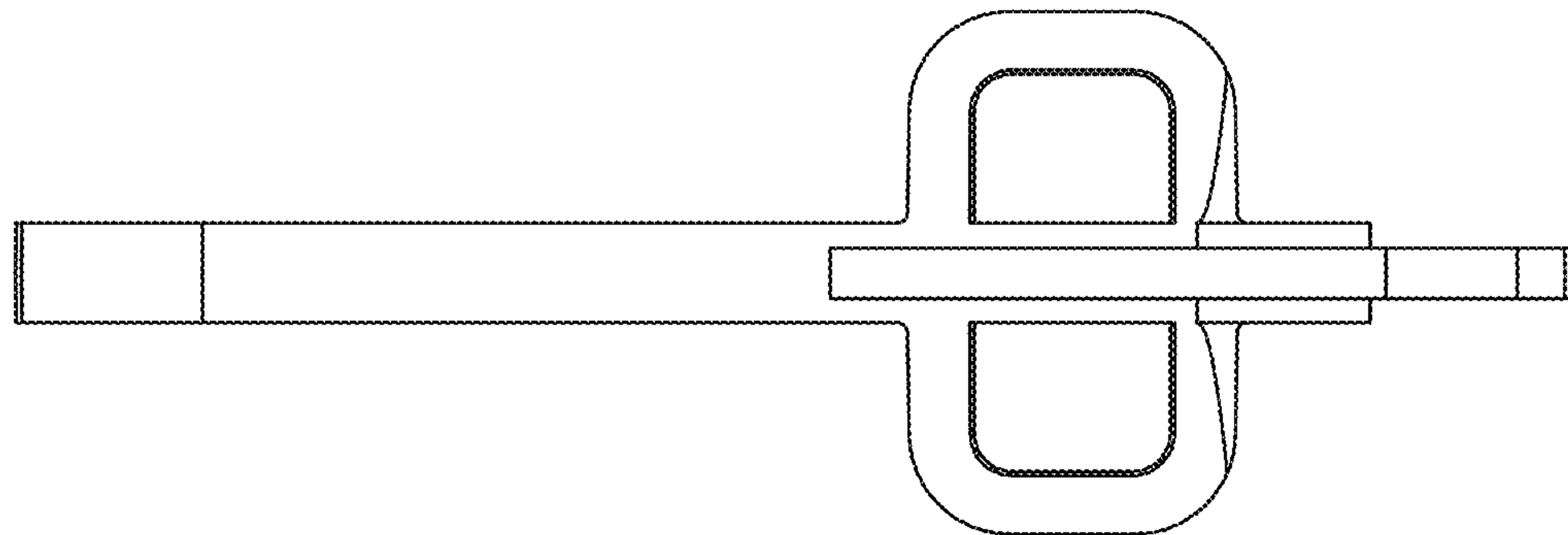


FIG - 8