



US00D778144S

(12) **United States Design Patent** (10) **Patent No.:** **US D778,144 S**
Anderson et al. (45) **Date of Patent:** **** Feb. 7, 2017**

(54) **CRADLE GRAB HOOK** 7,967,353 B2 * 6/2011 Robins F16B 45/02
24/599.2
(71) Applicant: **APEX BRANDS, INC.**, Apex, NC 8,100,449 B2 * 1/2012 Wray B66C 1/36
(US) 24/600.8
(72) Inventors: **Alan David Anderson**, Willow Spring, NC (US); **George R. Thompson, IV**, Fuquay Varina, NC (US) D699,098 S * 2/2014 Fretz D8/367
D701,445 S * 3/2014 Terpsma D8/331
9,039,055 B1 * 5/2015 Robins F16B 45/02
294/82.17
D749,938 S * 2/2016 Norpoth D8/367

(73) Assignee: **APEX BRANDS, INC.**, Apex, NC (US)

(**) Term: **15 Years**

(21) Appl. No.: **29/543,631**

(22) Filed: **Oct. 27, 2015**

(51) **LOC (10) Cl.** **08-05**

(52) **U.S. Cl.**
USPC **D8/367**

(58) **Field of Classification Search**
USPC D8/349, 345, 342, 367, 354, 389, 400;
292/24, 32, 95, 262, 281; 248/301-308;
24/132 R, 8, 600.8, 601.3, 598.1-598.6;
D6/325; 294/82.1, 82.17, 82.11, 82.19
CPC B66C 1/26; B66C 1/34; B66C 1/42
See application file for complete search history.

(56) **References Cited**

U.S. PATENT DOCUMENTS

3,268,967 A * 8/1966 Jordan B66C 1/36
24/600.9
D209,155 S * 11/1967 Van Den Houten et al. . D34/35
3,501,817 A * 3/1970 Bambenek B66C 1/36
24/599.2
3,673,646 A * 7/1972 Svensson B66C 1/34
24/698.1
3,741,599 A * 6/1973 Drayton B66C 1/34
24/116 R
D245,832 S 9/1977 Fredriksson
4,070,823 A 1/1978 Schreyer et al.
D503,328 S * 3/2005 Catlett D8/342

FOREIGN PATENT DOCUMENTS

DE	2310344 A1	9/1973
EP	2048410 A2	4/2009
GB	2021678 A	12/1979

* cited by examiner

Primary Examiner — Prabhakar Deshmukh

(74) *Attorney, Agent, or Firm* — Nelson Mullins Riley & Scarborough LLP

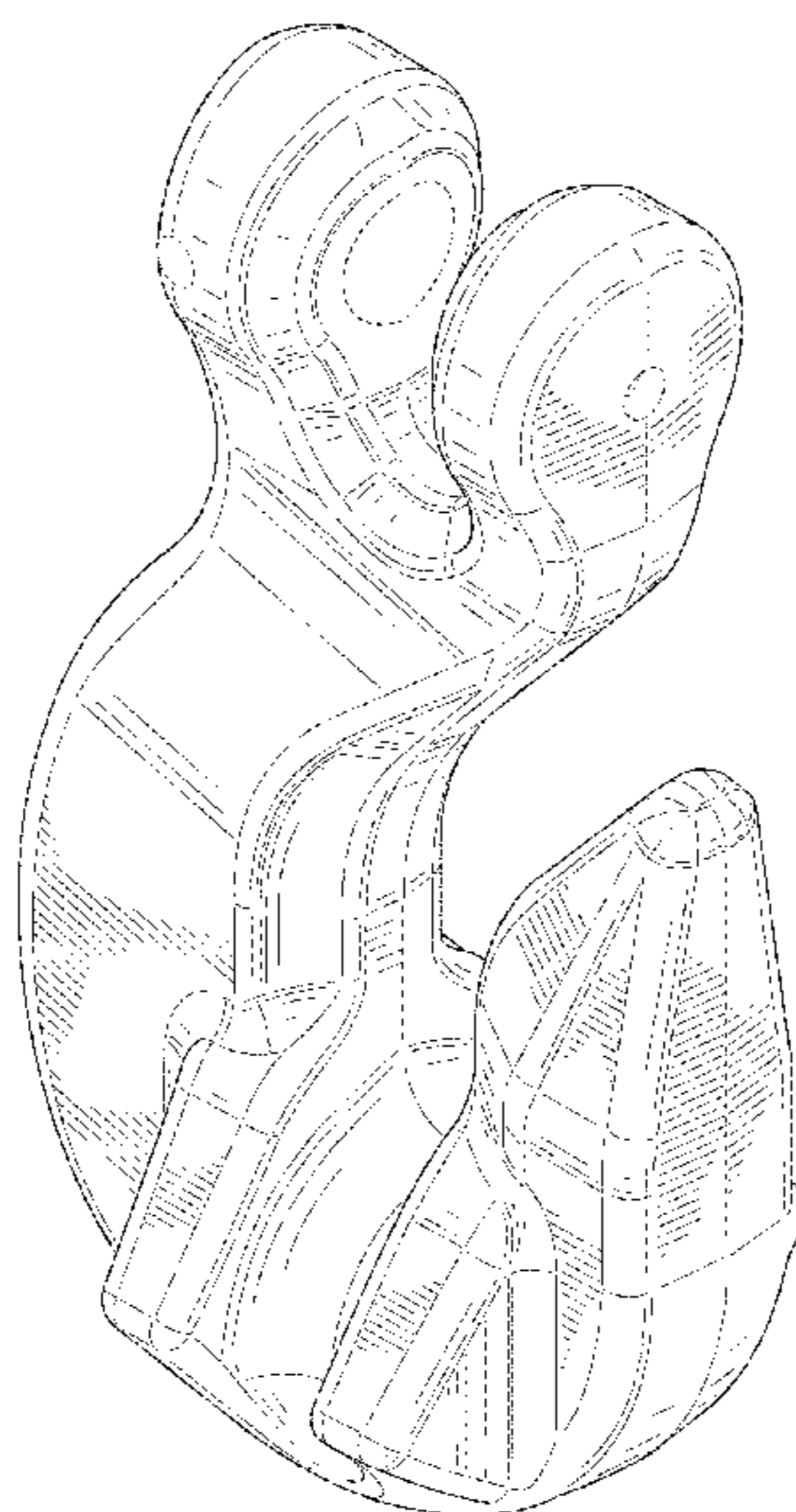
(57) **CLAIM**

The ornamental design for the cradle grab hook, as shown and described.

DESCRIPTION

FIG. 1 is a perspective view of a cradle grab hook showing our new design;
FIG. 2 is a front elevational view thereof;
FIG. 3 is a rear elevational view thereof;
FIG. 4 is a right side elevational view thereof;
FIG. 5 is a left side elevational view thereof;
FIG. 6 is a top plan view thereof;
FIG. 7 is a bottom plan view thereof; and,
FIG. 8 is a perspective view thereof; shown in environmental use.
The broken lines in FIG. 1-7 indicate unclaimed portions of the design. The broken lines illustrating chain in FIG. 8 represents environment. None of the broken lines forms part of the claimed design.

1 Claim, 7 Drawing Sheets



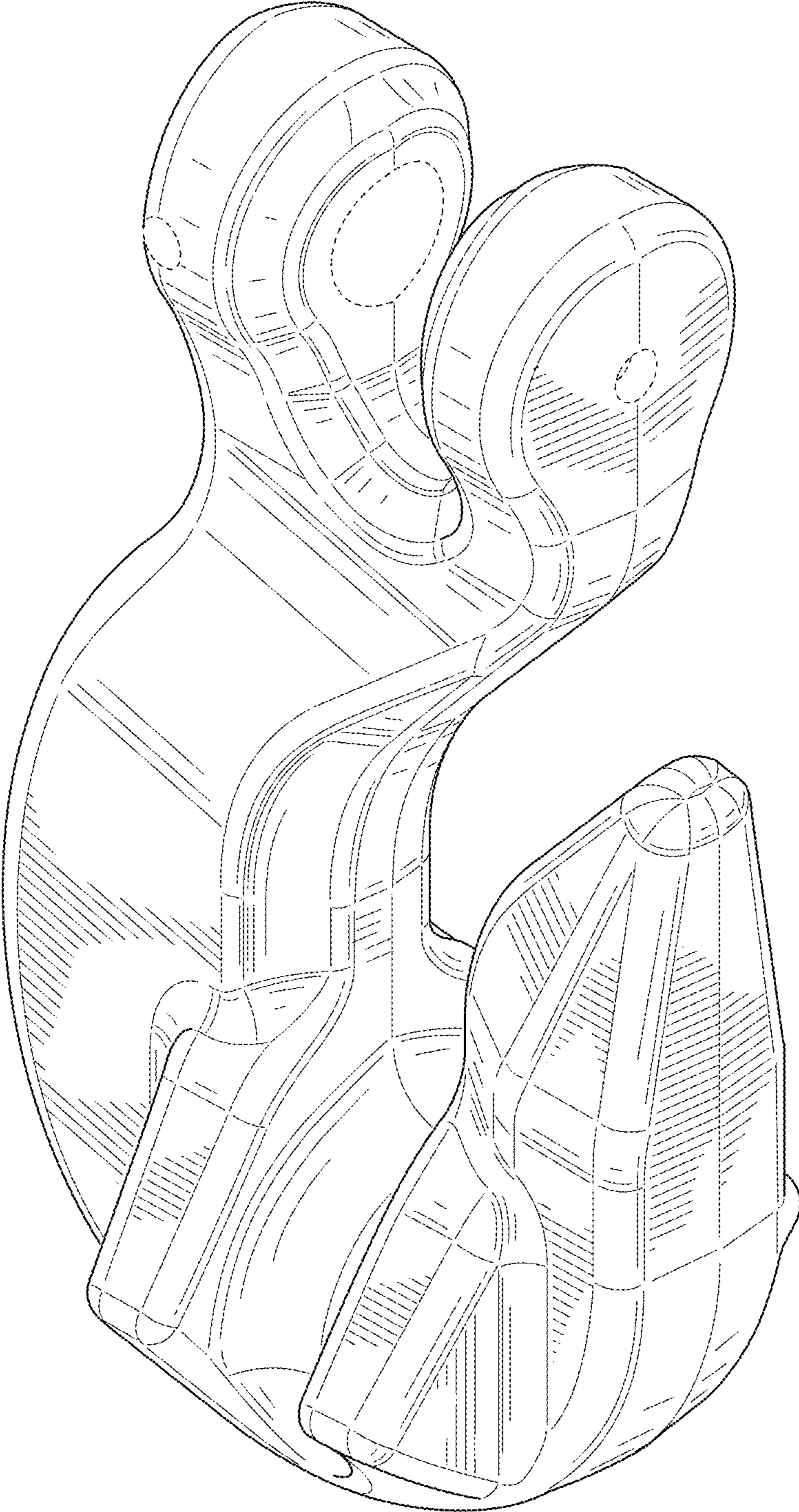


FIG. 1

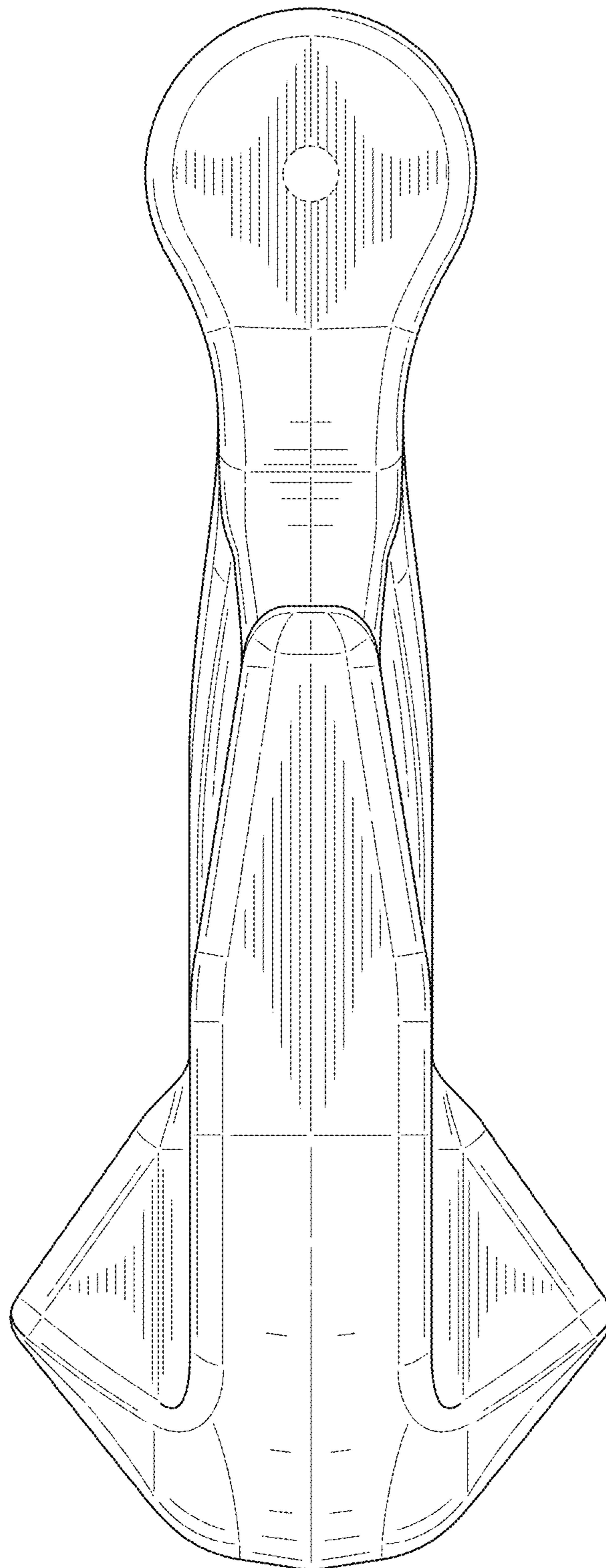


FIG. 2

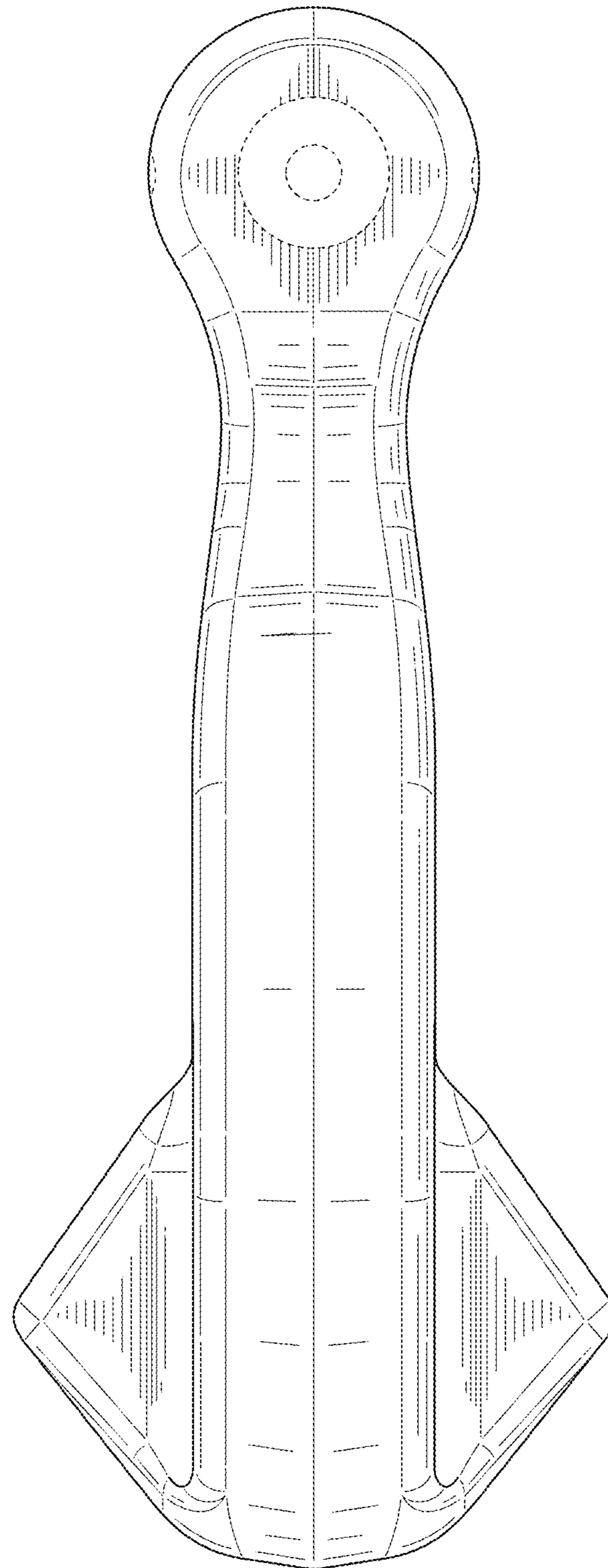


FIG. 3

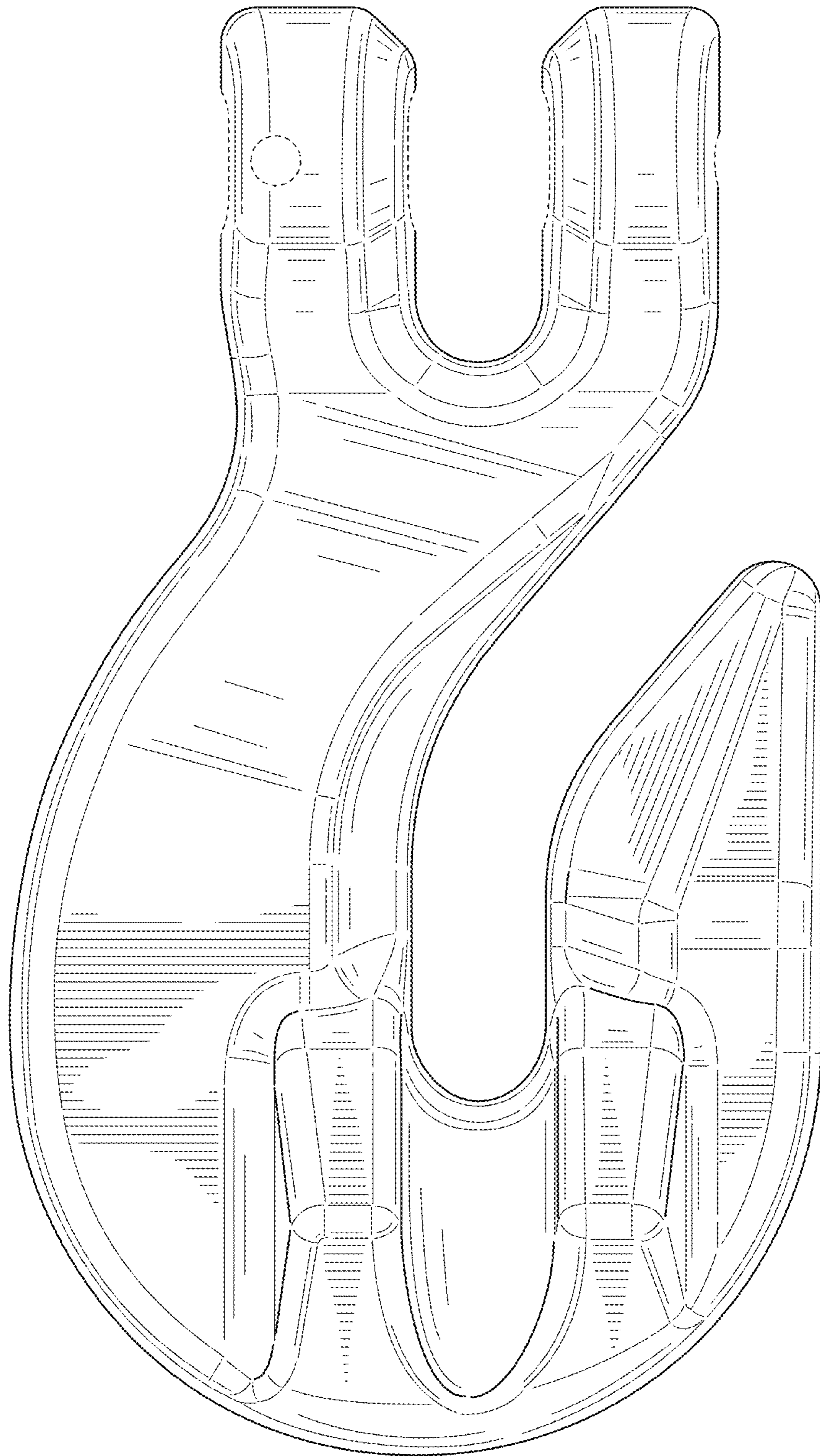


FIG. 4

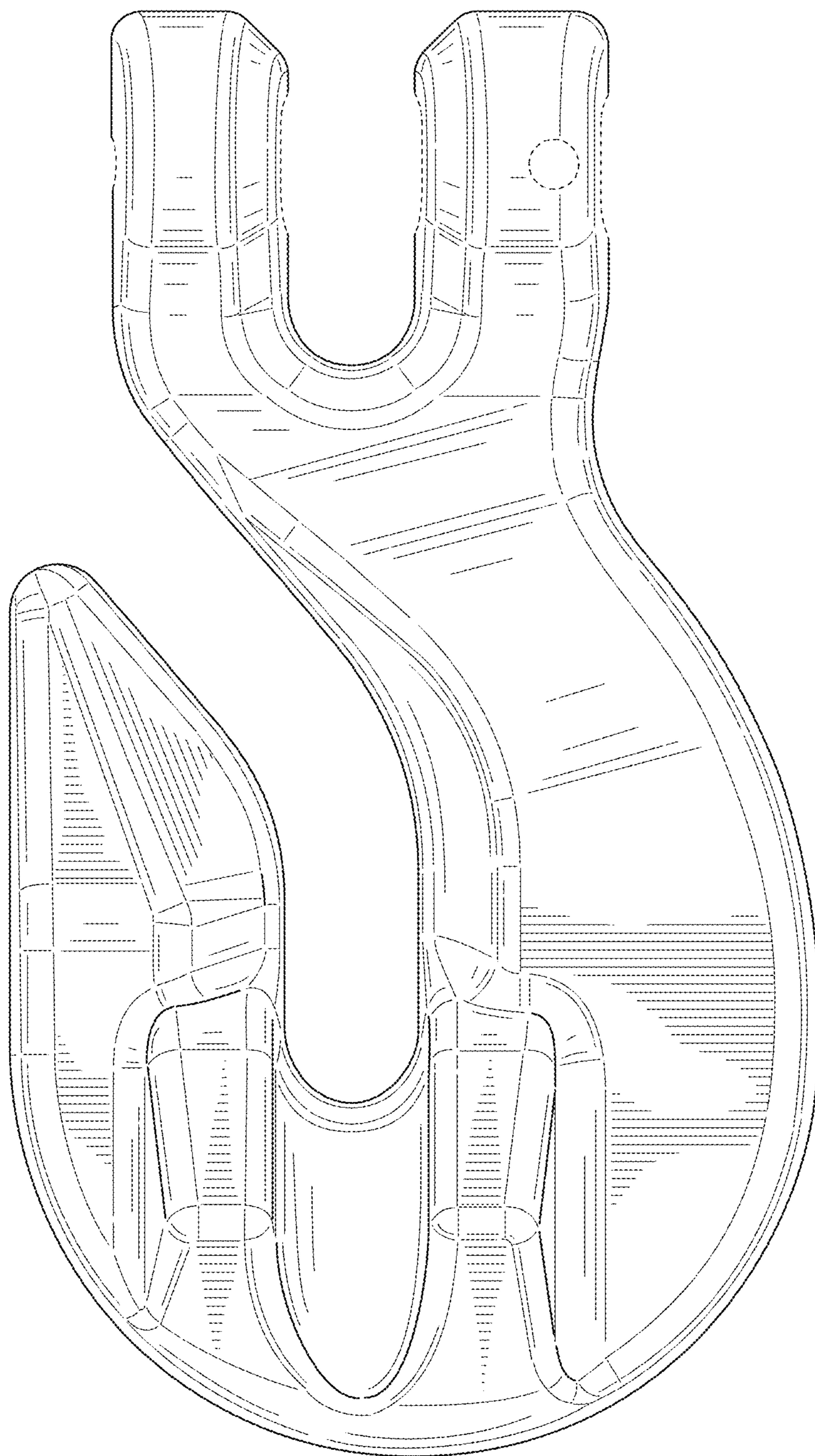


FIG. 5

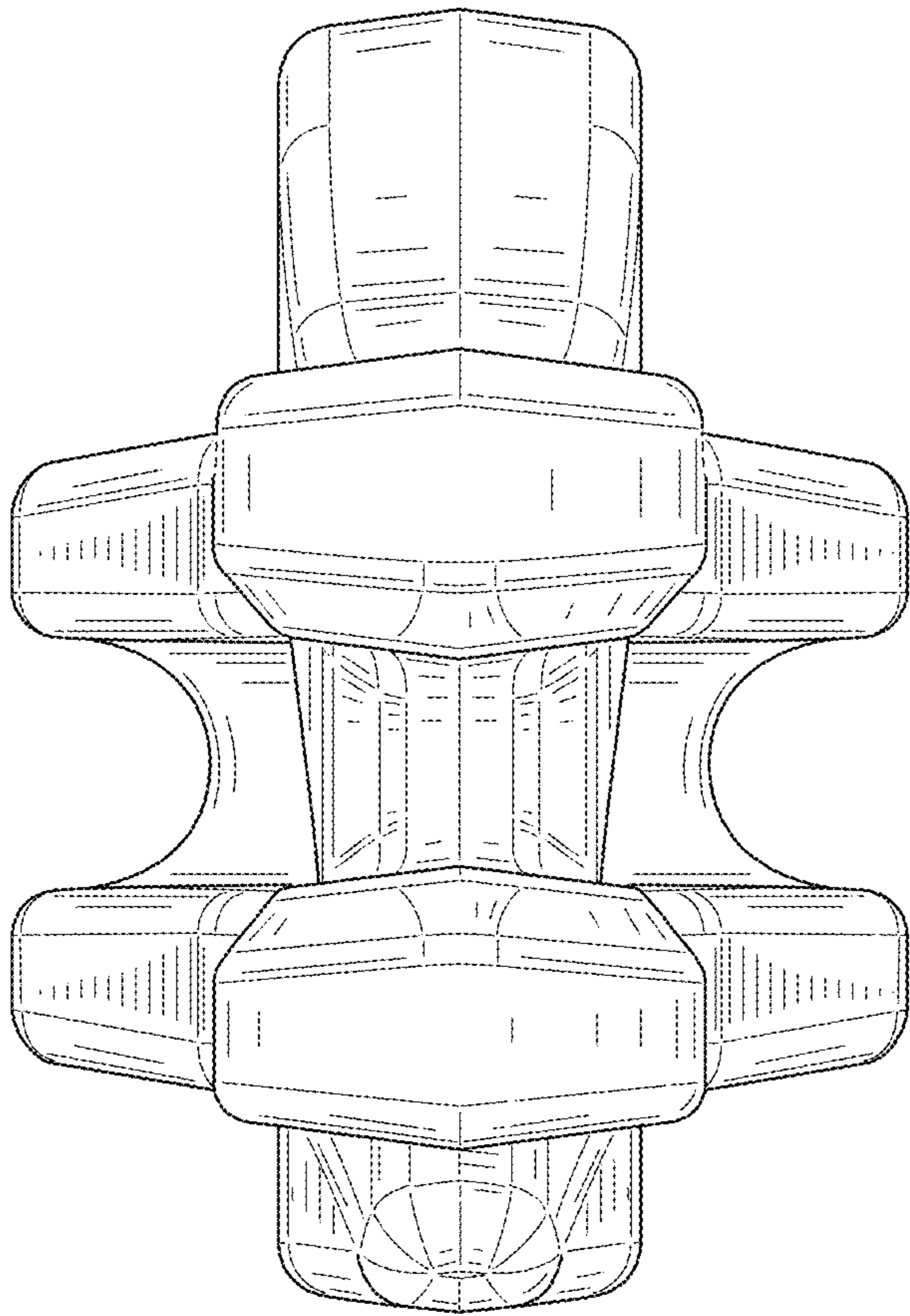


FIG. 6

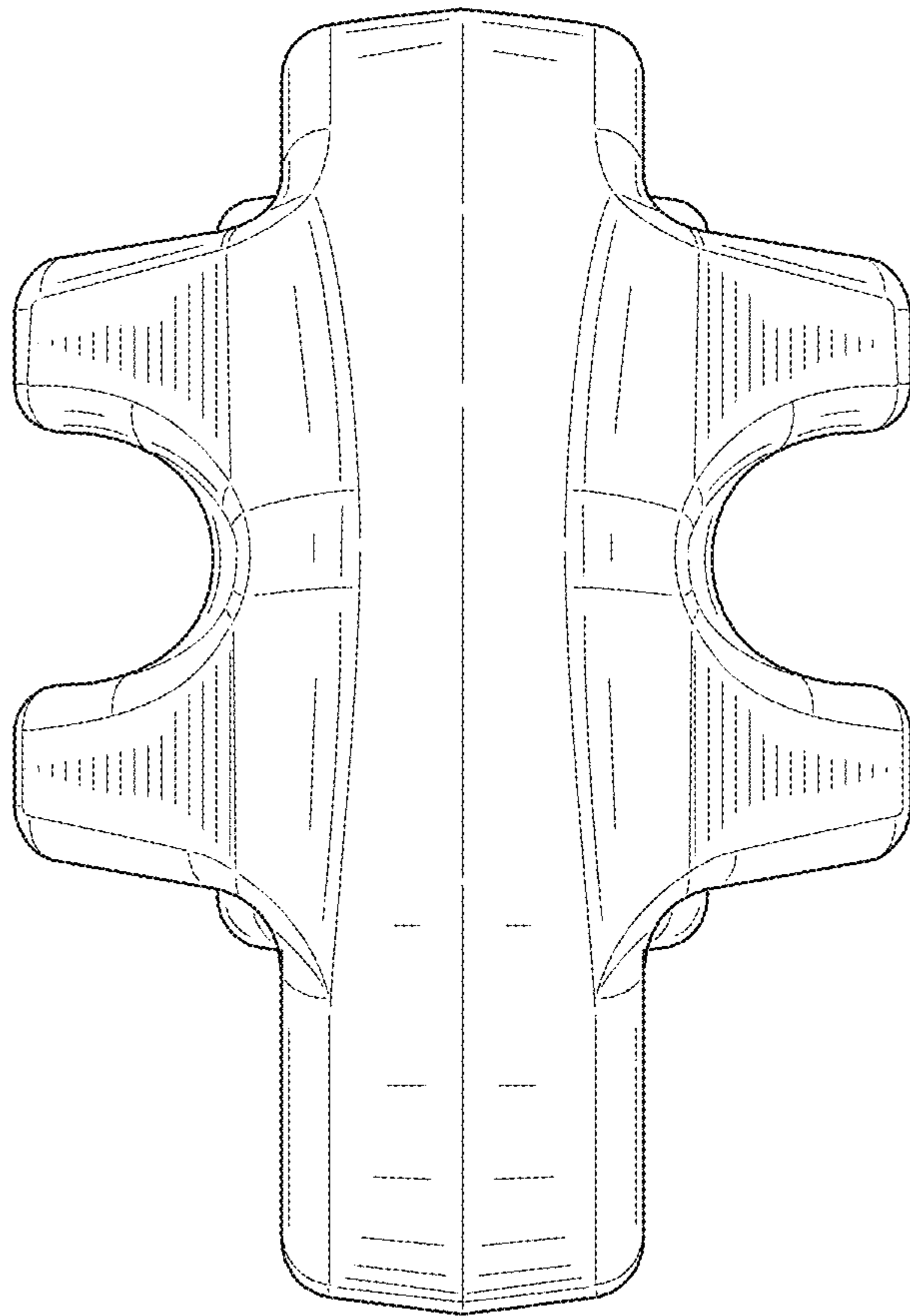


FIG. 7

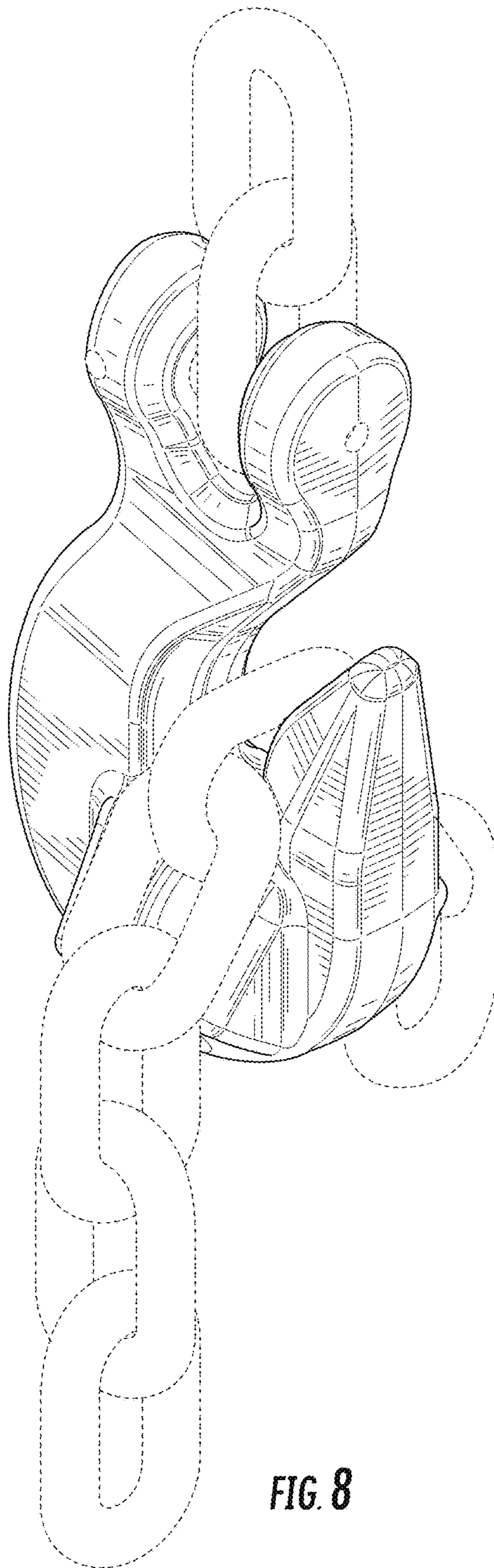


FIG. 8