



US00D778143S

(12) **United States Design Patent**  
**Crouse et al.**

(10) **Patent No.:** **US D778,143 S**  
(45) **Date of Patent:** **\*\* Feb. 7, 2017**

- (54) **CABLE ORGANIZING DEVICE**
- (71) Applicant: **Wanho T Manufacturing Co., Ltd.**,  
Ilan (TW)
- (72) Inventors: **Christopher Pierre Crouse**, Florence,  
AZ (US); **Arthur C. Gagnon**, Wolcott,  
CT (US)
- (73) Assignee: **Wanho T Manufacturing Co., Ltd.**,  
Ilan (TW)
- (\*\*) Term: **15 Years**
- (21) Appl. No.: **29/555,168**
- (22) Filed: **Feb. 19, 2016**
- (51) **LOC (10) Cl.** ..... **08-05**
- (52) **U.S. Cl.**  
USPC ..... **D8/356**
- (58) **Field of Classification Search**  
USPC ..... D8/356, 354, 349; 174/72 A  
CPC ..... E02D 5/803; B63B 21/045; B63B 59/02;  
B60D 1/18; B60P 7/0823; A44B 13/0029;  
H02G 3/22; H02G 3/32  
See application file for complete search history.

- D358,545 S \* 5/1995 Price ..... D8/356
- 5,443,232 A \* 8/1995 Kesinger ..... H02G 3/263  
248/62
- D373,069 S \* 8/1996 McCarthy ..... D8/354
- D408,790 S \* 4/1999 Kiely ..... D8/356
- 6,462,275 B1 \* 10/2002 Daoud ..... H02G 3/088  
16/2.1
- D508,199 S \* 8/2005 Winig ..... D8/356
- D537,709 S \* 3/2007 Thorner ..... D8/396
- D559,080 S \* 1/2008 Boote ..... D8/354
- 7,434,814 B2 \* 10/2008 Kumakura ..... F16L 5/10  
16/2.1
- D625,985 S \* 10/2010 Mori ..... D8/356
- D641,611 S \* 7/2011 Minayoshi ..... D8/354
- D644,916 S \* 9/2011 Lee ..... D8/356
- D644,917 S \* 9/2011 Lee ..... D8/356
- D647,387 S \* 10/2011 Pawluk ..... D8/356
- D653,100 S \* 1/2012 Chen ..... D8/356
- D655,598 S \* 3/2012 Hsu ..... D8/356
- D683,614 S \* 6/2013 Toimil ..... D8/356
- D691,874 S \* 10/2013 Ganski ..... D8/356
- D691,877 S \* 10/2013 Ganski ..... D8/356

(Continued)

*Primary Examiner* — Cynthia Underwood  
(74) *Attorney, Agent, or Firm* — Charles E. Baxley

(57) **CLAIM**

The ornamental design for a cable organizing device, as shown and described.

**DESCRIPTION**

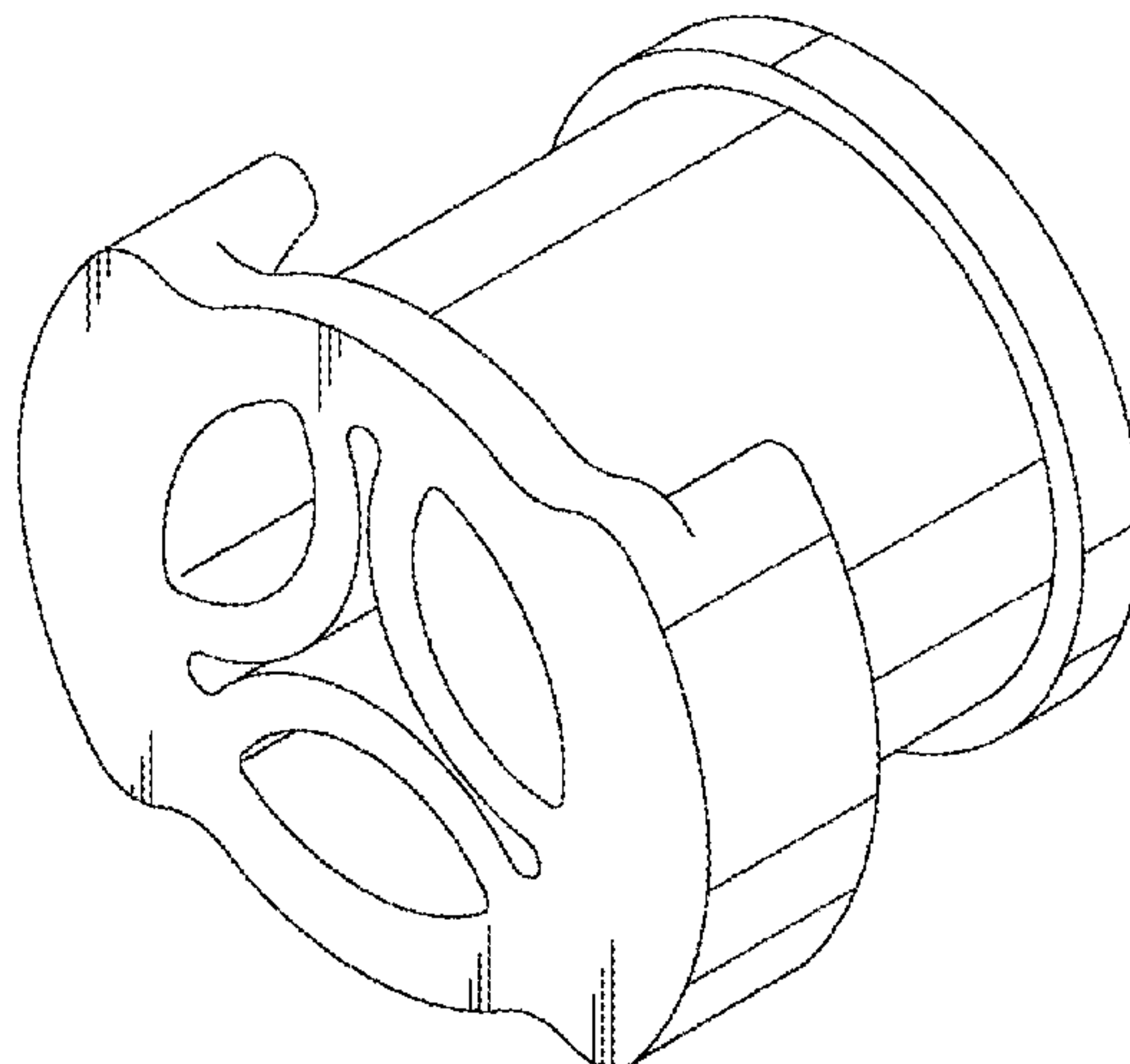
FIG. 1 is a perspective view of a cable organizing device showing my new design;  
FIG. 2 is a front elevational view thereof;  
FIG. 3 is a rear elevational view thereof;  
FIG. 4 is a top plan view thereof;  
FIG. 5 is a bottom plan view thereof;  
FIG. 6 is a left side elevational view thereof; and,  
FIG. 7 is a right side elevational view thereof.

**1 Claim, 4 Drawing Sheets**

(56) **References Cited**

U.S. PATENT DOCUMENTS

- 1,532,177 A \* 4/1925 Gist ..... B65H 75/364  
137/355.28
- 1,625,585 A \* 4/1927 Archer ..... B65H 75/18  
242/118.32
- 3,123,879 A \* 3/1964 Boduroff et al. .... E04C 5/122  
174/84 S
- 3,132,822 A \* 5/1964 Arthur ..... G06K 13/26  
242/586.6
- 4,330,005 A \* 5/1982 Kjarsgaard ..... B65H 75/364  
137/355.16



(56)

**References Cited**

U.S. PATENT DOCUMENTS

D707,106 S *	6/2014	Crouse .....	D8/356
D707,107 S *	6/2014	Crouse .....	D8/356
D707,534 S *	6/2014	Crouse .....	D8/356
9,334,887 B2 *	5/2016	Leo, II .....	F16B 2/22
9,407,078 B2 *	8/2016	Budagher .....	H02G 3/32
9,438,021 B2 *	9/2016	Crouse .....	H02G 3/32
2009/0324188 A1 *	12/2009	Berglund .....	G02B 6/4441 385/135
2012/0292460 A1 *	11/2012	Hsu .....	H02G 7/053 248/70

\* cited by examiner

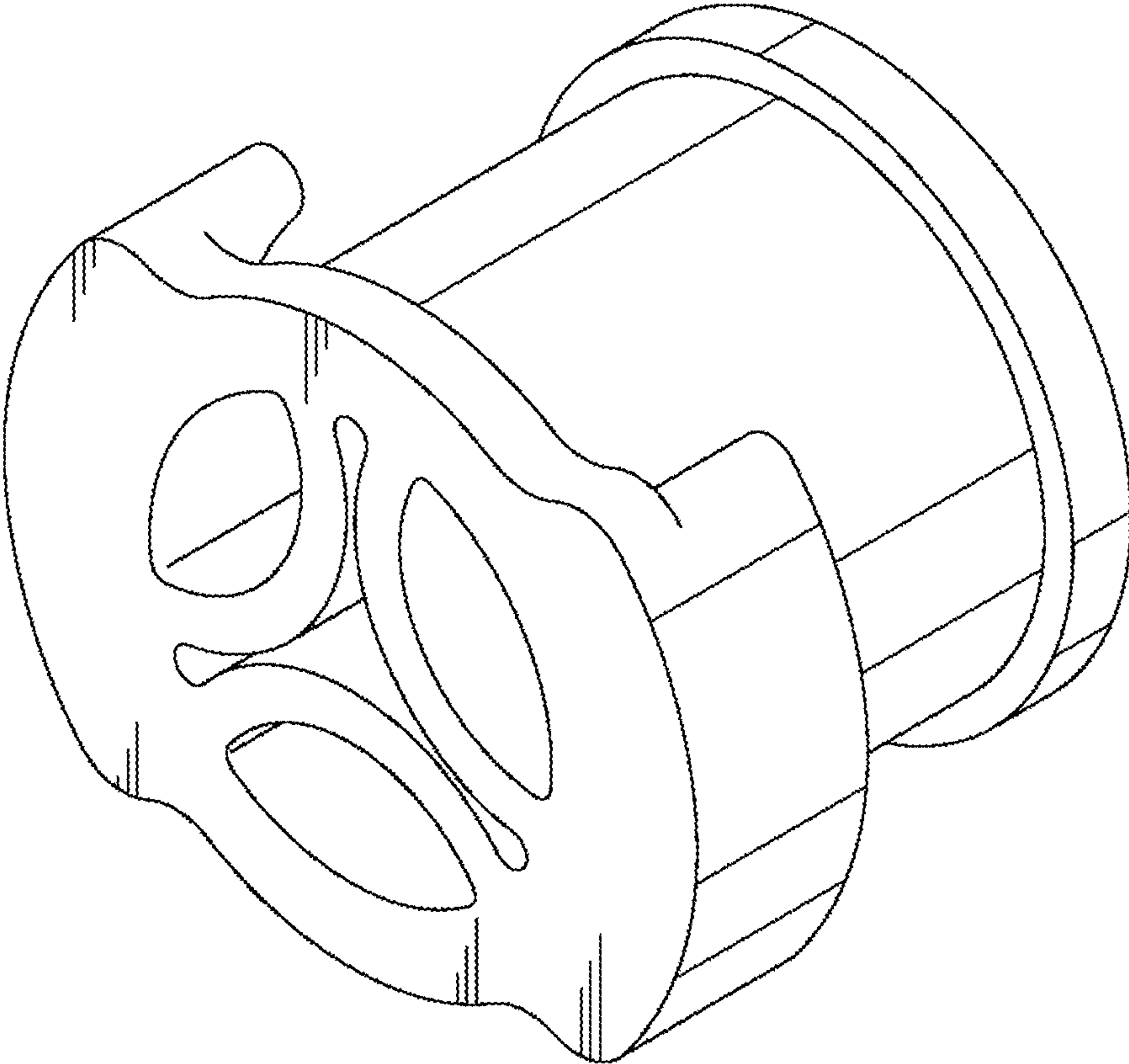


FIG. 1

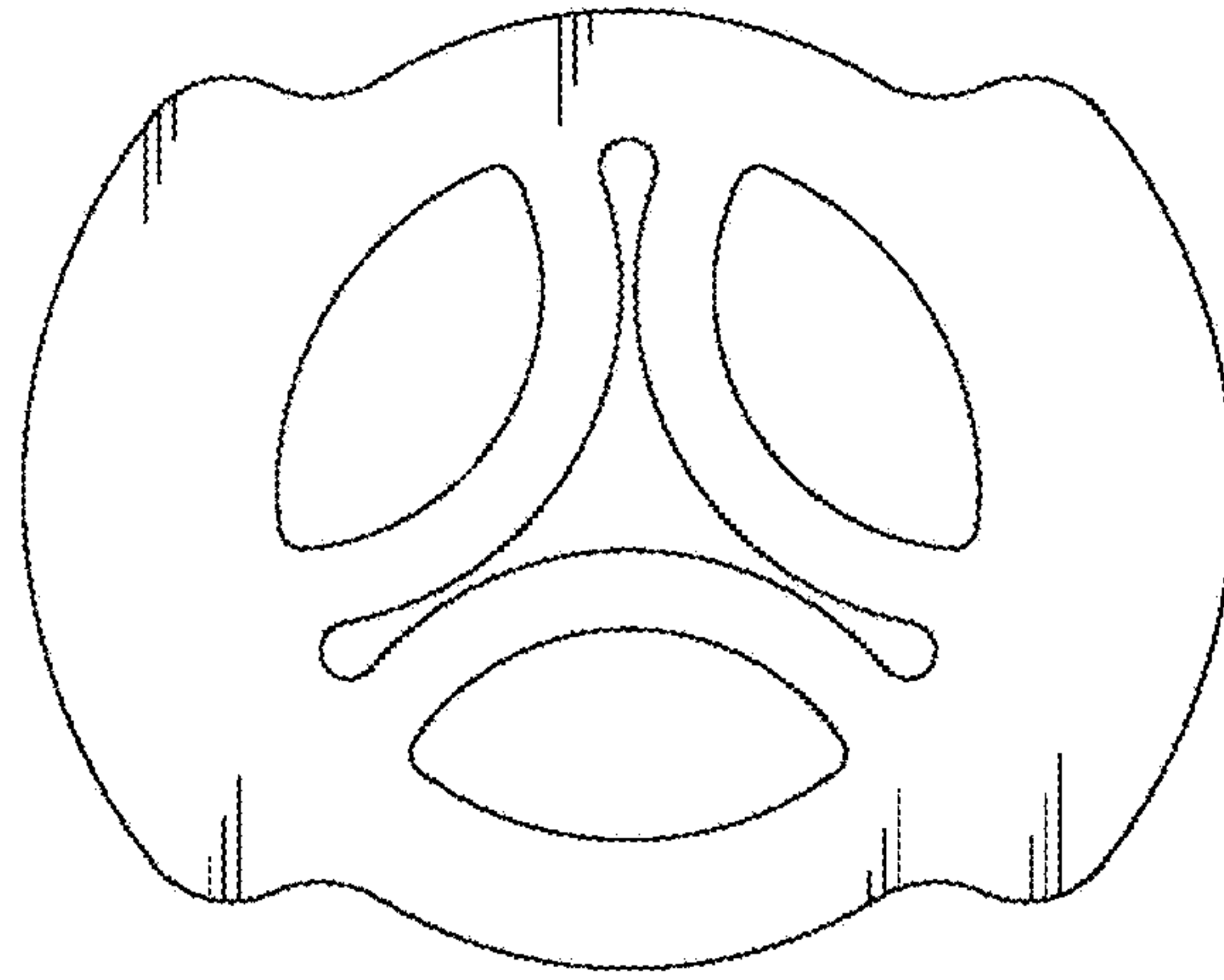


FIG. 2

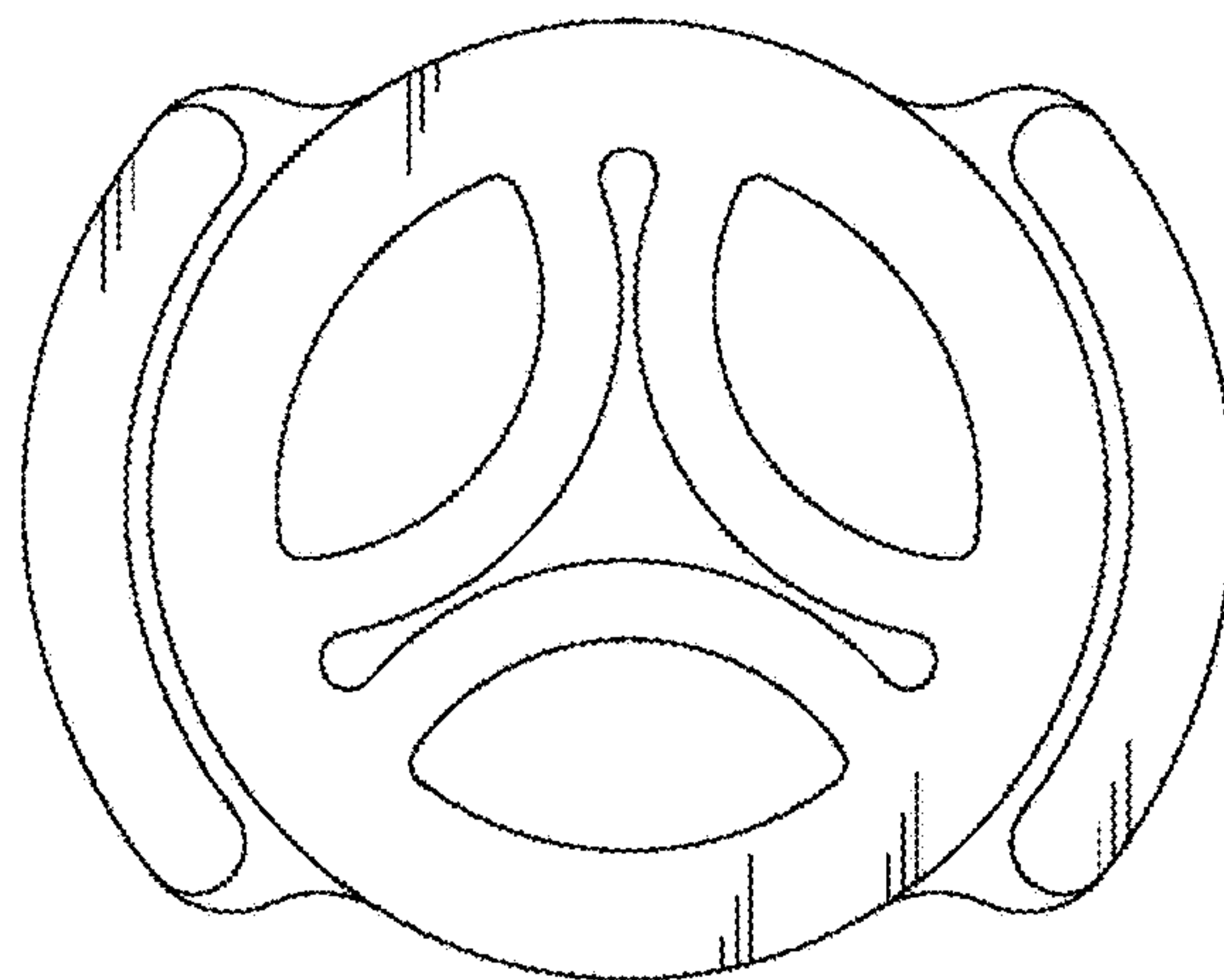


FIG. 3

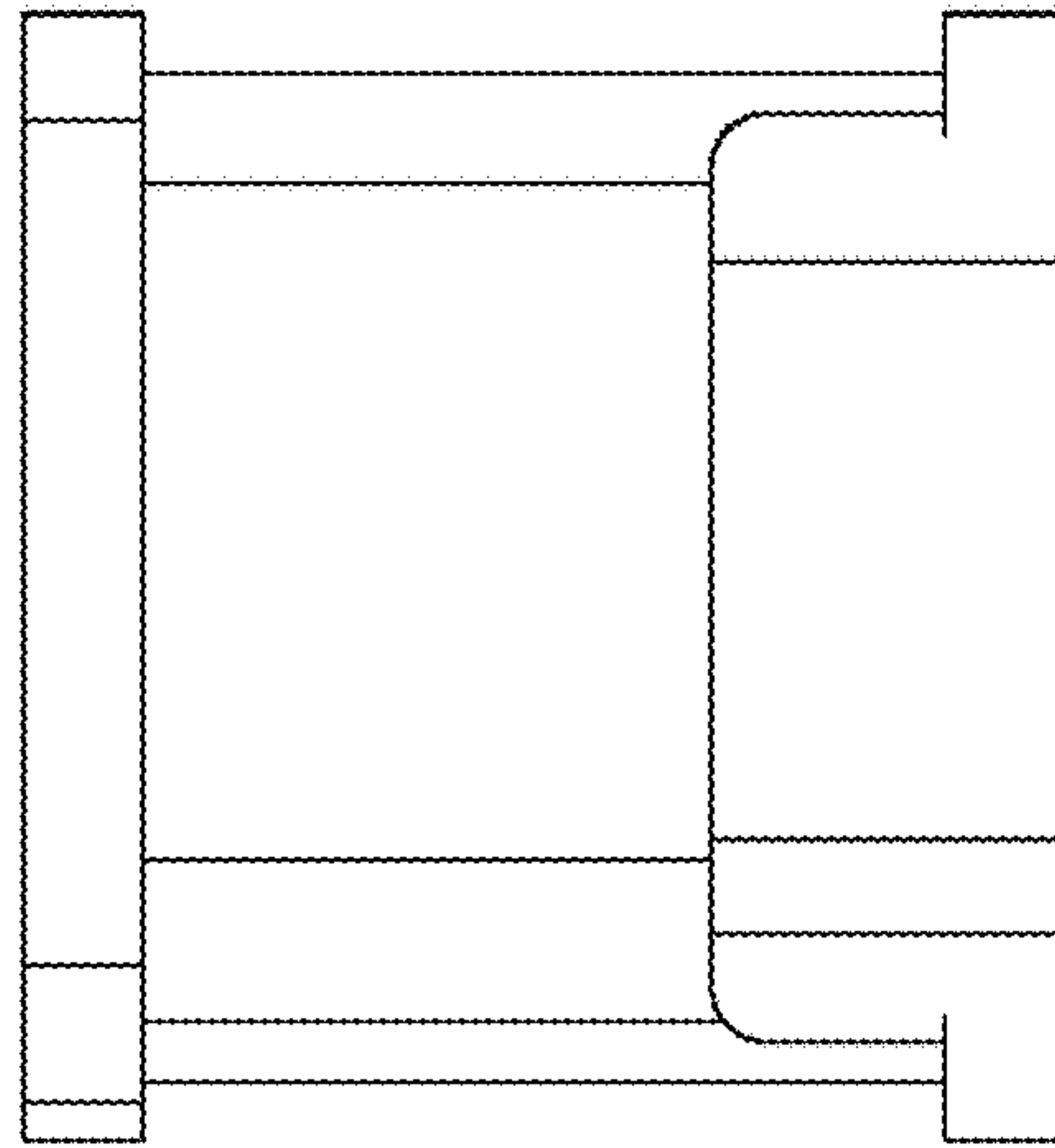


FIG. 4

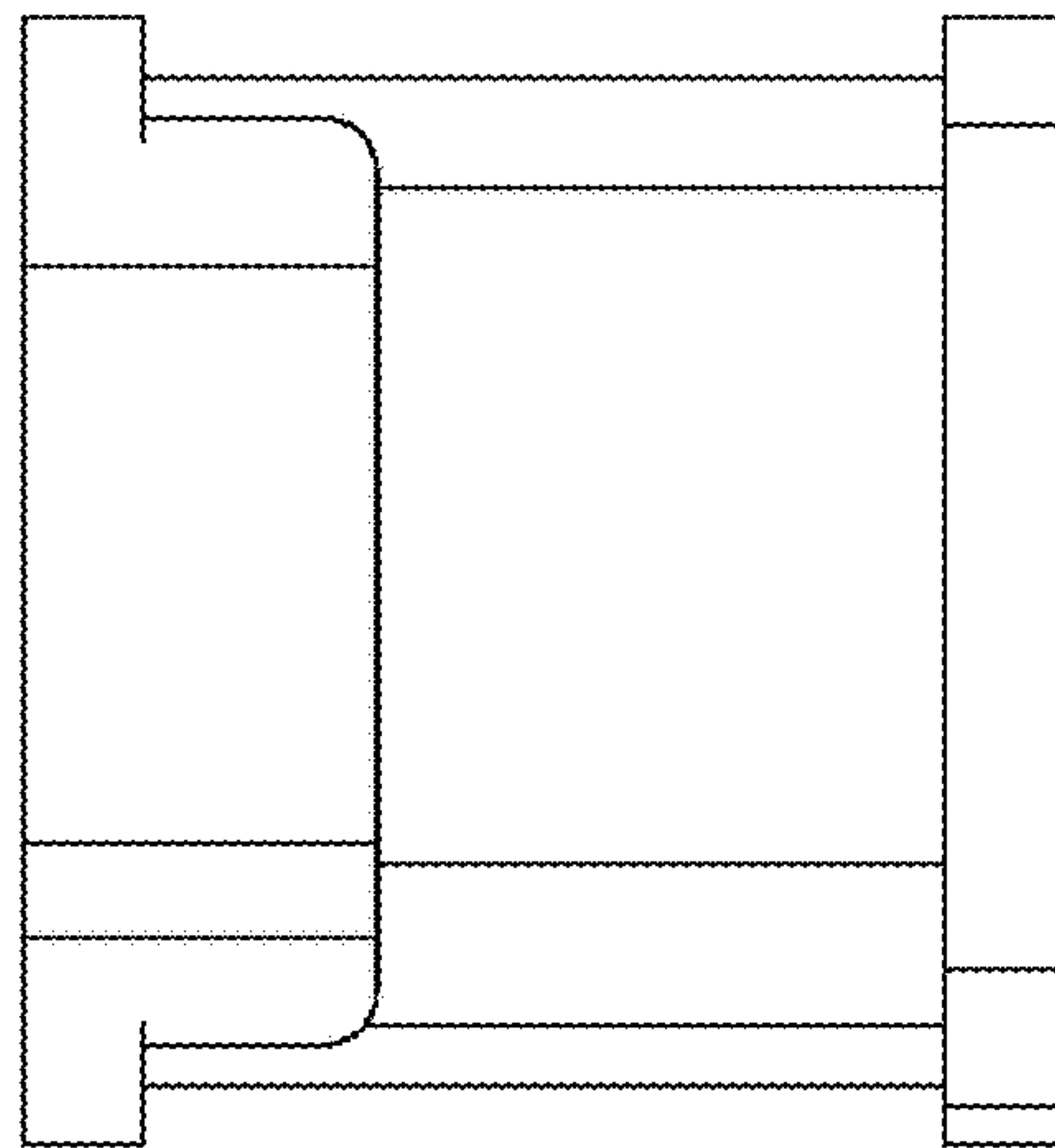


FIG. 5

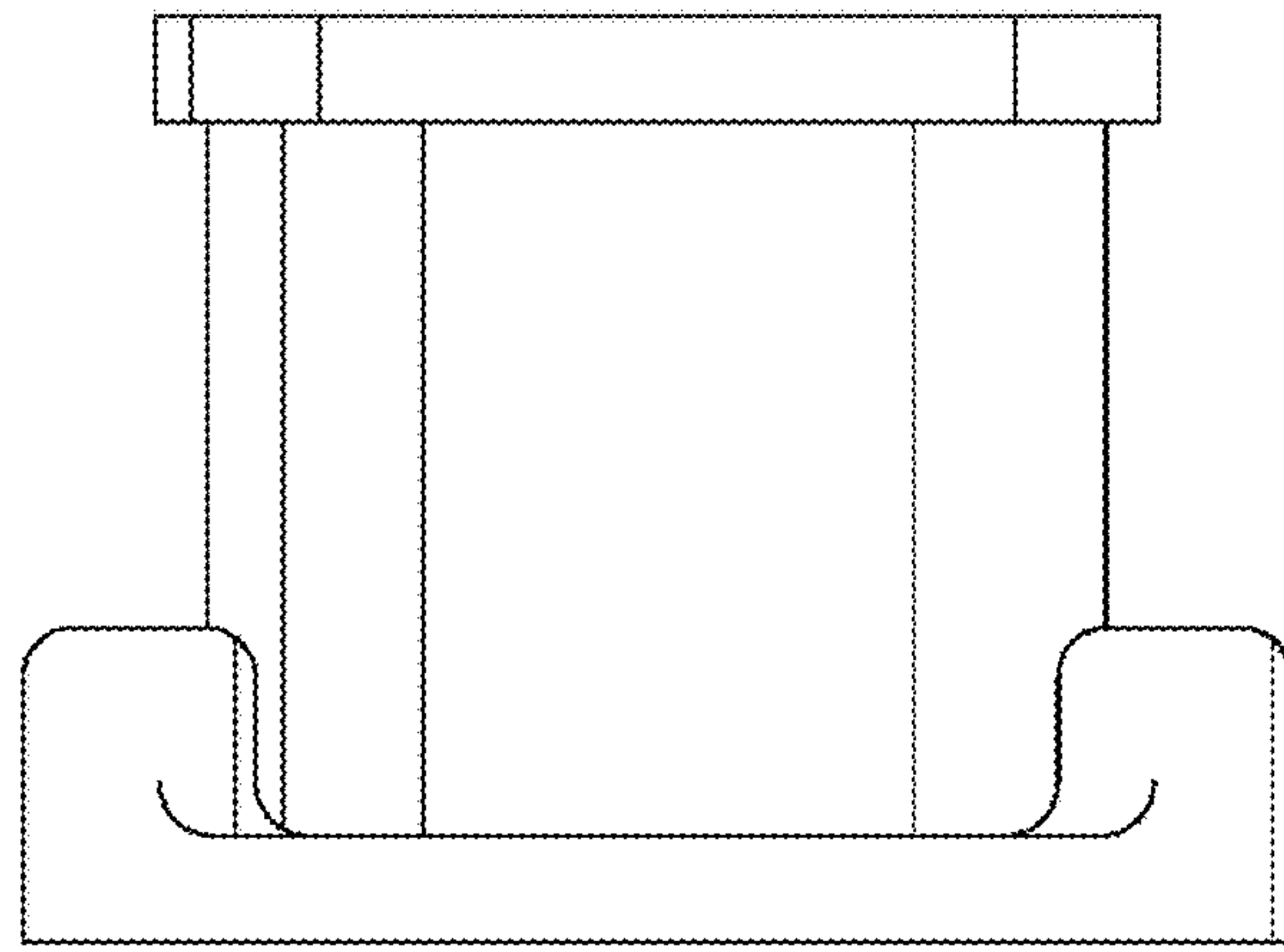


FIG. 6

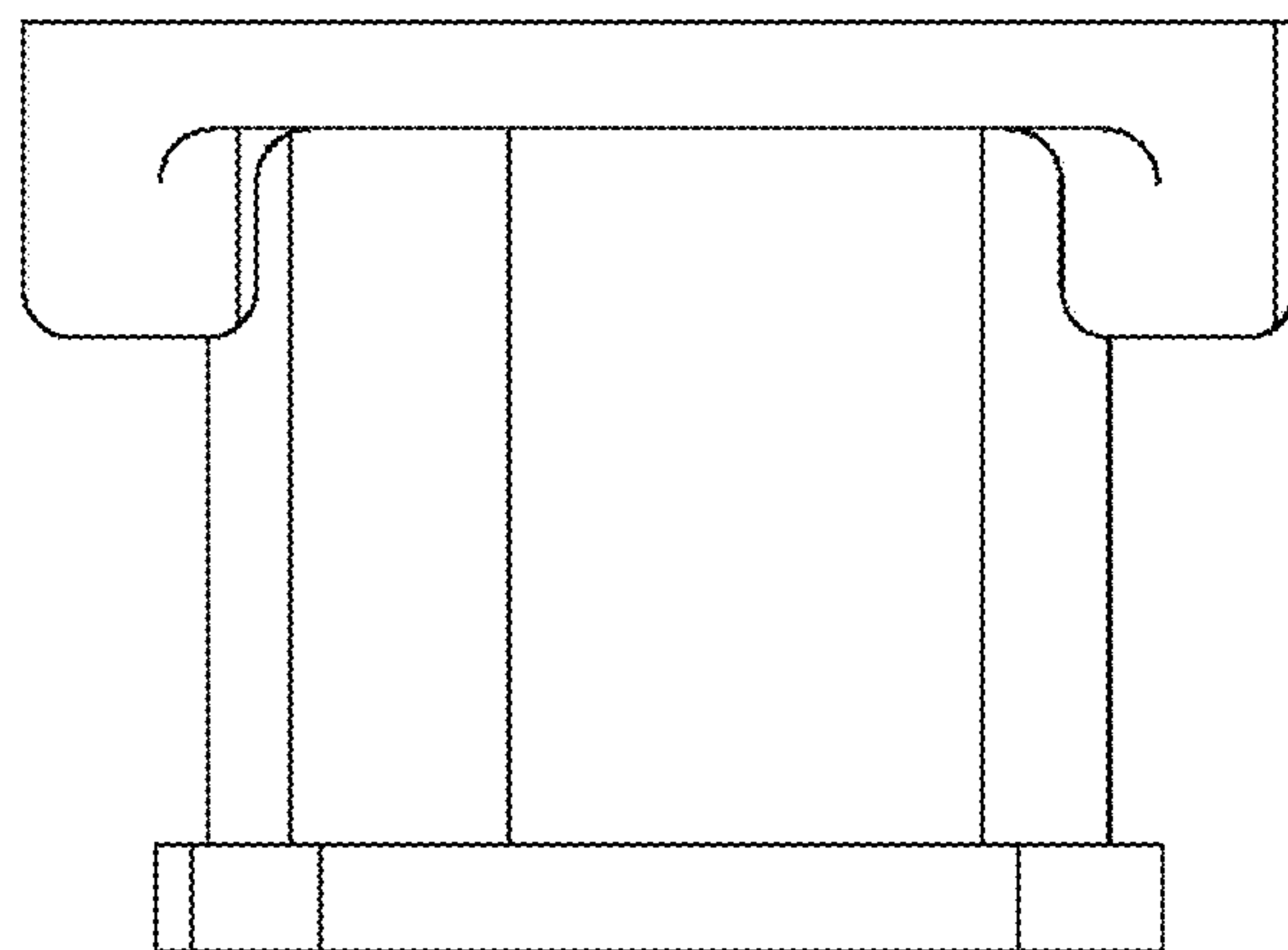


FIG. 7