



US00D778141S

(12) **United States Design Patent** (10) **Patent No.:** **US D778,141 S**  
**Greer** (45) **Date of Patent:** **\*\* Feb. 7, 2017**

(54) **KEY HANDLE WITH INTEGRATED ATTACHMENT DEVICE**

(71) Applicant: **Elana Greer**, San Juan Capistrano, CA (US)

(72) Inventor: **Elana Greer**, San Juan Capistrano, CA (US)

(\*\*) Term: **15 Years**

(21) Appl. No.: **29/544,960**

(22) Filed: **Nov. 9, 2015**

**Related U.S. Application Data**

(63) Continuation of application No. 29/506,212, filed on Oct. 14, 2014, now abandoned.

(51) **LOC (10) Cl.** ..... **08-07**

(52) **U.S. Cl.**  
USPC ..... **D8/347**

(58) **Field of Classification Search**

USPC ..... D8/347, 348; 70/51, 336, 344, 348, 391, 70/393, 402, 408, 416, 429, 430, 460, 70/447, 395, 398, 410, 423, 424  
CPC ..... E05B 19/00; E05B 19/20; E05B 13/00; E05B 11/00; E05B 19/04

See application file for complete search history.

(56) **References Cited**

**U.S. PATENT DOCUMENTS**

1,516,028 A \* 11/1924 Sleeper ..... 24/708.2  
2,198,110 A \* 4/1940 Fischer ..... 70/456 R

2,633,734 A \* 4/1953 Genovese ..... 70/456 R  
3,797,291 A \* 3/1974 Simorghy ..... 70/395  
7,171,831 B2 \* 2/2007 Matthews ..... 70/408  
D566,523 S \* 4/2008 Rich ..... D8/347  
8,231,152 B2 \* 7/2012 Carlson ..... 292/262  
D713,238 S \* 9/2014 Kumada et al. .... D8/347  
D730,152 S \* 5/2015 Kirzinger et al. .... D8/347

\* cited by examiner

*Primary Examiner* — Prabhakar Deshmukh

(74) *Attorney, Agent, or Firm* — Kundu PLLC

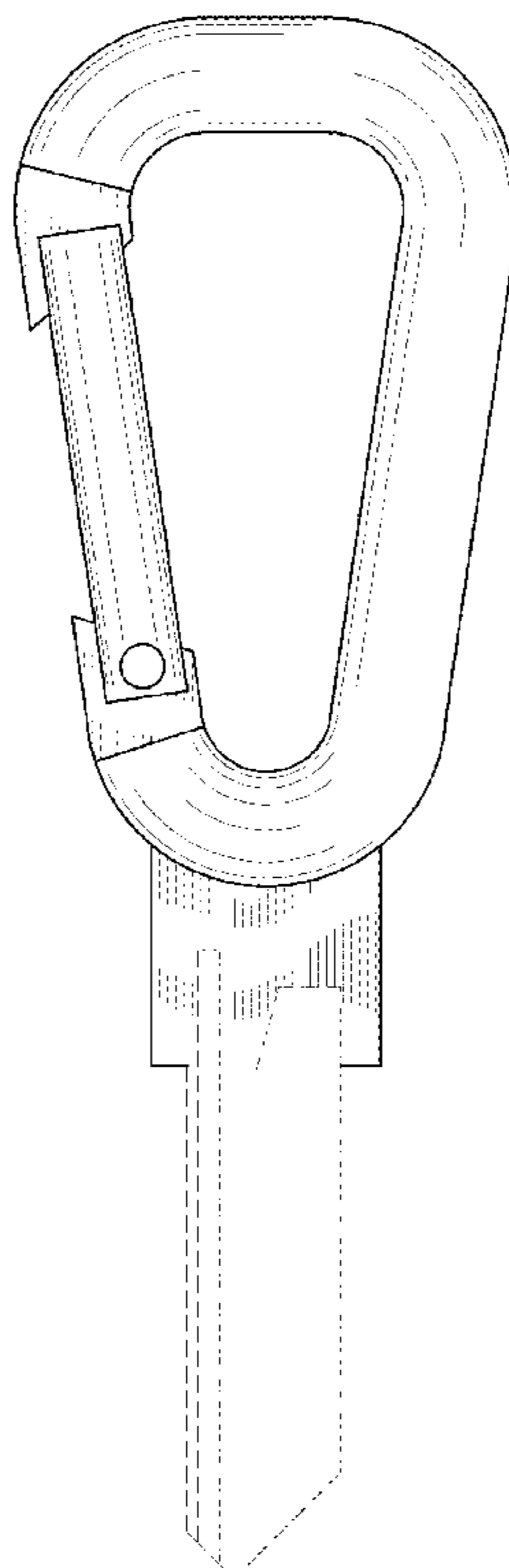
(57) **CLAIM**

I claim the ornamental design for a “key handle with integrated attachment device,” as shown and described.

**DESCRIPTION**

FIG. 1 is a perspective view of key handle with integrated attachment device showing my new design; FIG. 2 is a left side elevational view thereof; FIG. 3 is a right side elevational view thereof; FIG. 4 is a front elevational view thereof; FIG. 5 is a rear elevational view thereof; FIG. 6 is top plan view thereof; and, FIG. 7 is a bottom plan view thereof. The broken lines indicate unclaimed portions and form no part of the claimed design.

**1 Claim, 4 Drawing Sheets**



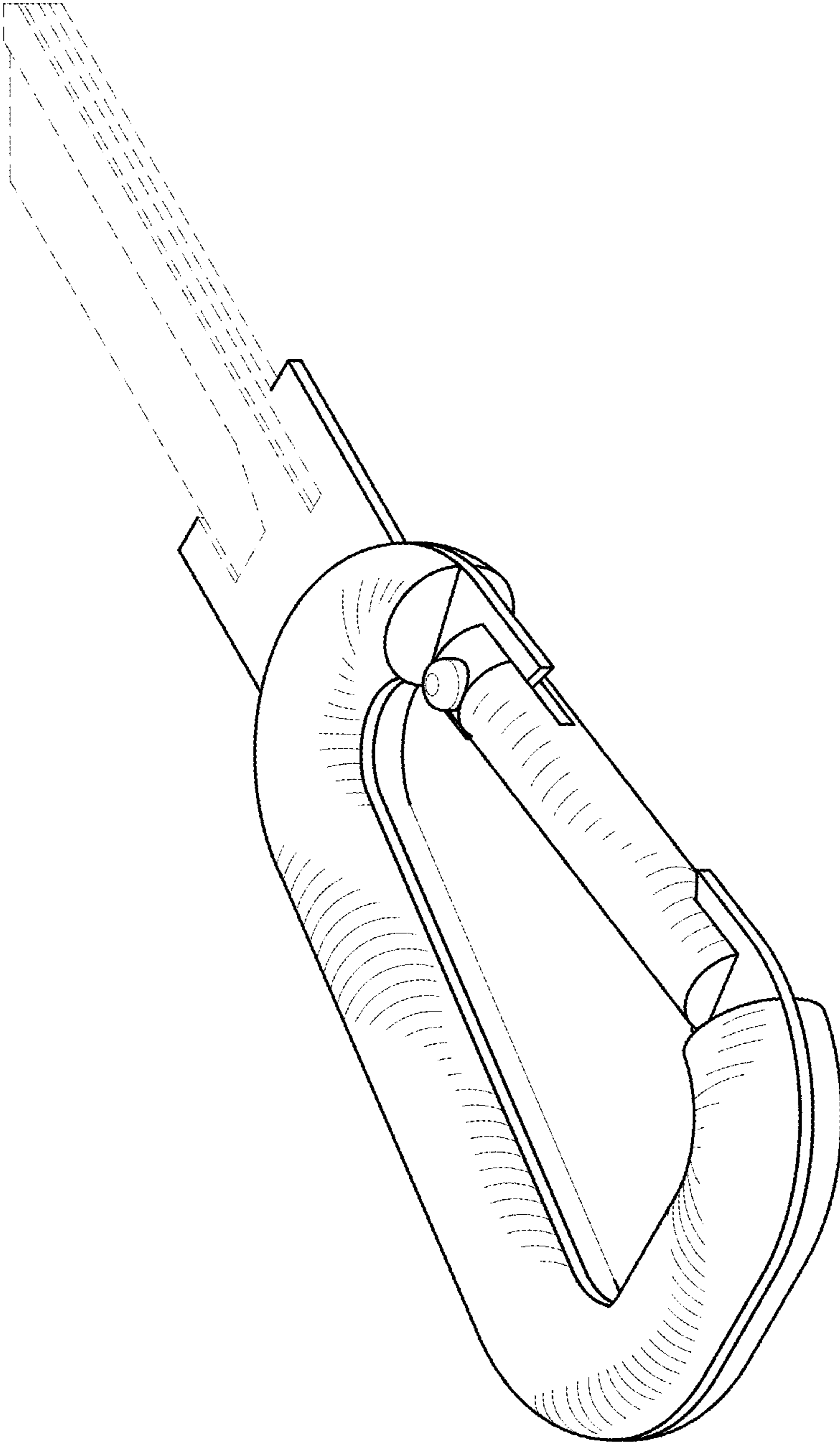


FIG. 1

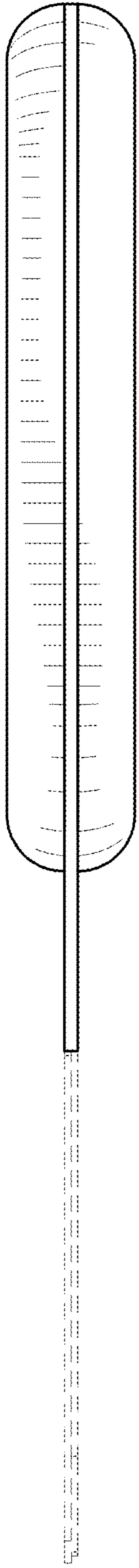


FIG. 2

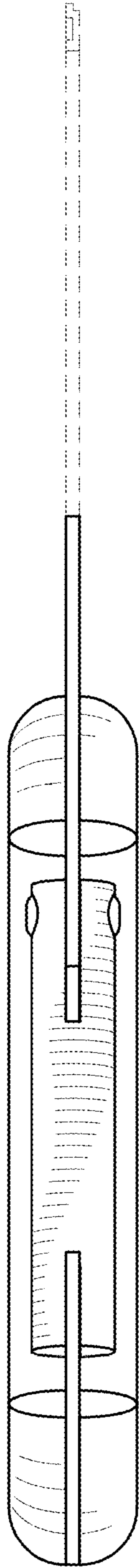


FIG. 3

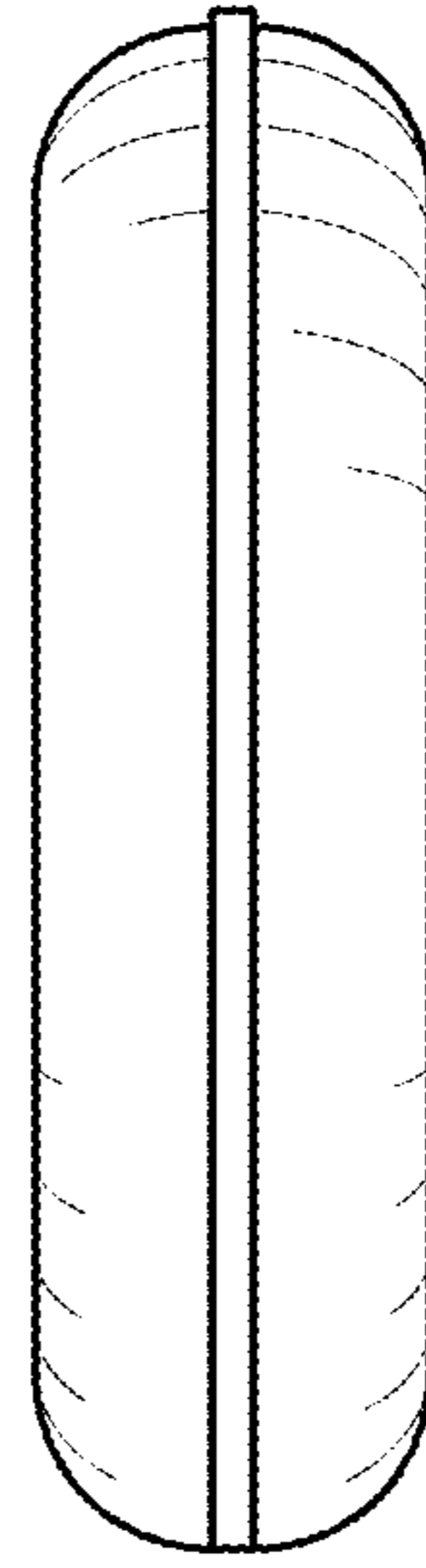


FIG. 5

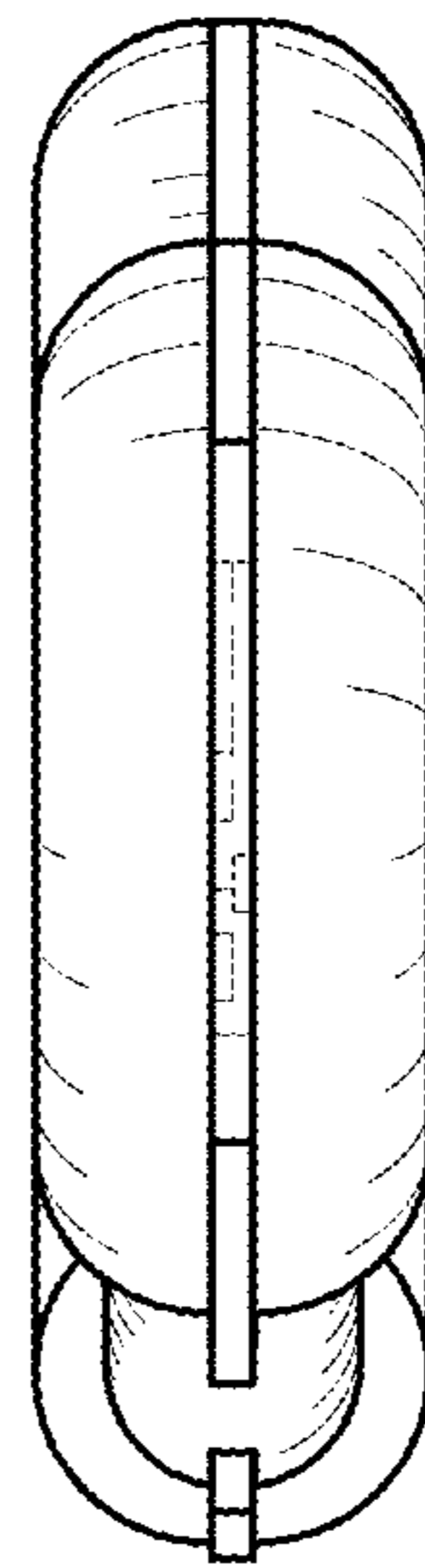


FIG. 4

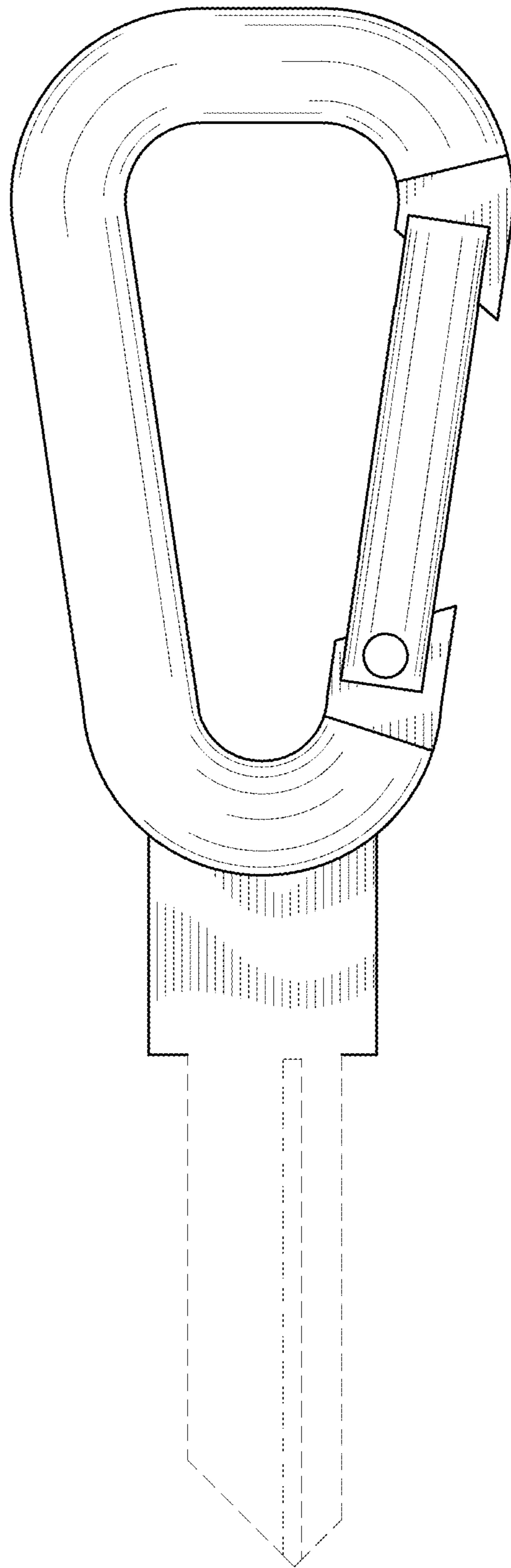


FIG. 6

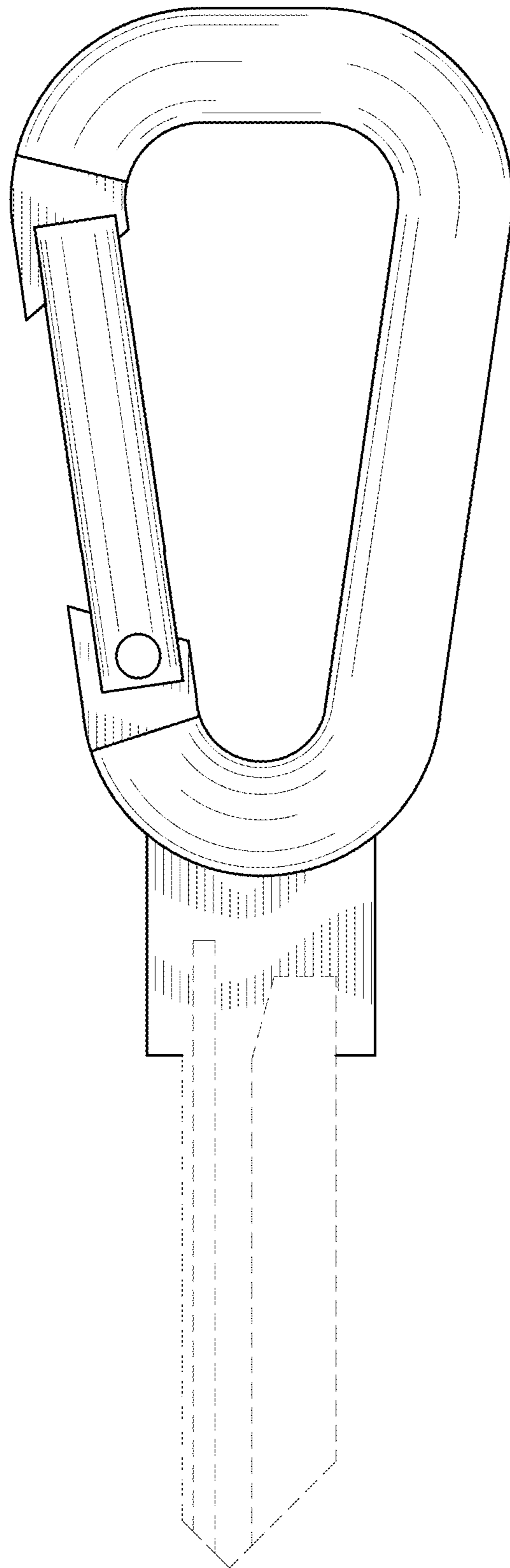


FIG. 7