



US00D778140S

(12) **United States Design Patent**  
**Heinemann et al.**

(10) **Patent No.:** **US D778,140 S**  
(45) **Date of Patent:** **\*\* Feb. 7, 2017**

(54) **HOLDER FOR BICYCLE LOCKS**  
(71) Applicant: **ABUS August Bremicker Söhne KG,**  
Wetter-Volmarstein (DE)  
(72) Inventors: **Stefan Heinemann,** Wetter (DE);  
**Matthias Ocklenburg,** Darmstadt (DE)  
(73) Assignee: **ABUS August Bremicker Söhne KG,**  
Wetter-Volmarstein (DE)  
(\*\*) Term: **15 Years**  
(21) Appl. No.: **29/546,280**  
(22) Filed: **Nov. 20, 2015**

D527,614 S \* 9/2006 St. James ..... D8/335  
7,311,233 B2 \* 12/2007 Chen ..... B62J 11/00  
224/425  
D582,254 S \* 12/2008 Turpault ..... D8/343  
7,726,160 B2 \* 6/2010 Gagosz ..... B62H 3/00  
211/5  
7,770,419 B2 \* 8/2010 Stone ..... B62H 3/02  
211/5  
8,083,112 B2 \* 12/2011 Kuo ..... B62H 5/00  
224/425  
8,453,853 B1 \* 6/2013 Adams ..... A63B 71/0036  
211/180  
8,814,227 B2 \* 8/2014 Wallinger ..... B60N 2/442  
292/200  
D719,012 S \* 12/2014 Alexander ..... D8/346  
D737,115 S \* 8/2015 Weldon ..... D8/346

\* cited by examiner

(30) **Foreign Application Priority Data**  
Jun. 19, 2015 (EM) ..... 002722678  
(51) **LOC (10) Cl.** ..... **08-07**  
(52) **U.S. Cl.**  
USPC ..... **D8/346; D8/343**  
(58) **Field of Classification Search**  
USPC ..... D8/330, 331, 343, 346, 398, 394, 449;  
70/57, 57.1, 51-56, 416, 485, 486, 445,  
70/419, 431, 422, 158, DIG. 26, 20-30,  
70/93, 160, 233; 206/580, 223  
CPC ..... E05B 1/00; E05B 9/00; E05B 9/04;  
E05B 9/08; E05B 67/02; E05B 17/0004  
See application file for complete search history.

*Primary Examiner* — Prabahakar Deshmukh  
(74) *Attorney, Agent, or Firm* — Dinsmore & Shohl LLP;  
Douglas W. Sprinkle

(57) **CLAIM**

The ornamental design for a holder for bicycle locks, as shown and described.

**DESCRIPTION**

FIG. 1 is a rear end view of the holder for bicycle locks of our design;  
FIG. 2 is a top view thereof;  
FIG. 3 is a left side view thereof;  
FIG. 4 is a right side view thereof;  
FIG. 5 is a front view thereof;  
FIG. 6 is a bottom view thereof;  
FIG. 7 is a rear perspective view thereof; and,  
FIG. 8 is a front perspective view thereof.

(56) **References Cited**  
U.S. PATENT DOCUMENTS  
6,357,936 B1 \* 3/2002 Elberbaum ..... G03B 37/02  
206/316.2  
6,422,442 B1 \* 7/2002 McDaid ..... B62H 5/00  
224/441

**1 Claim, 8 Drawing Sheets**

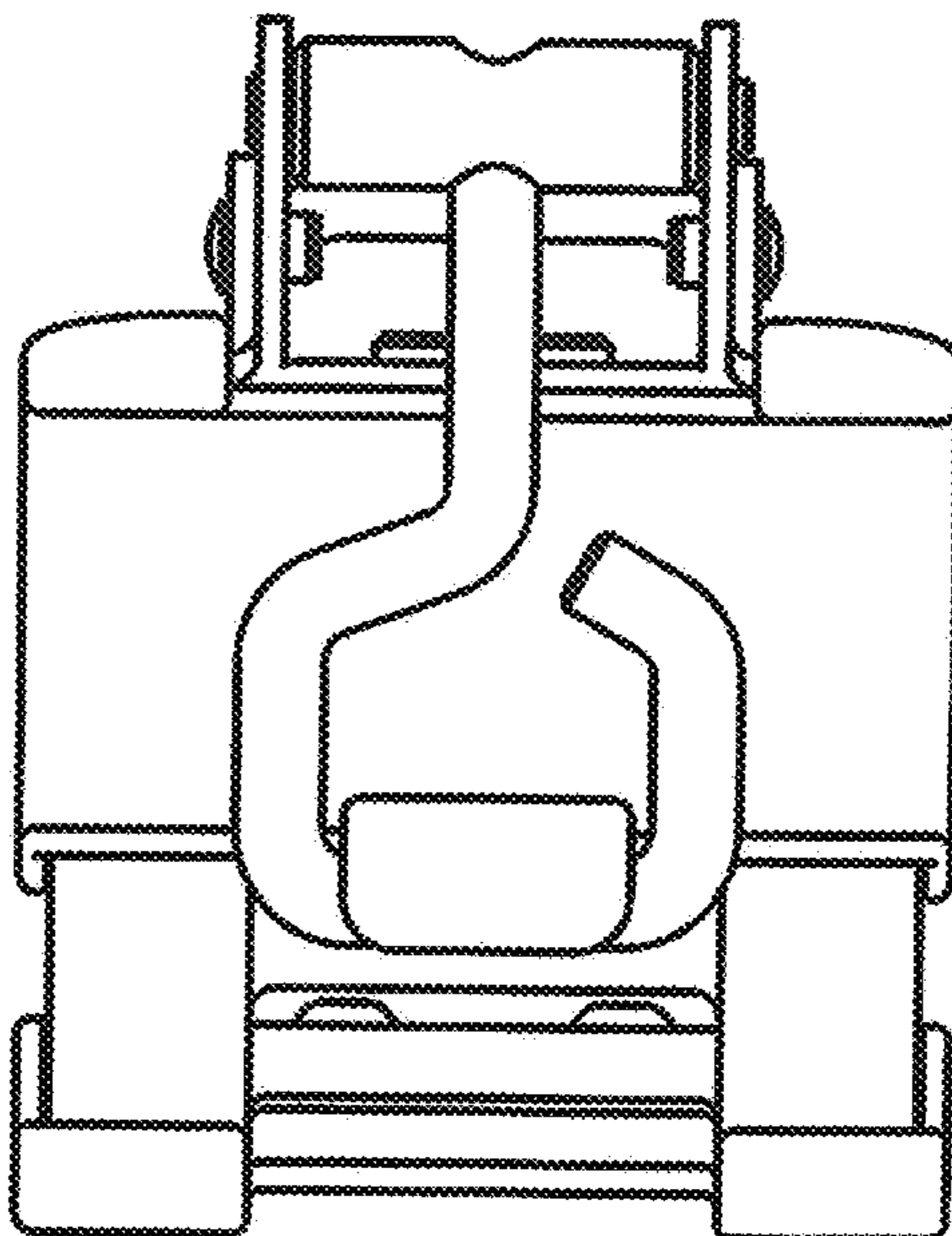


Figure 1

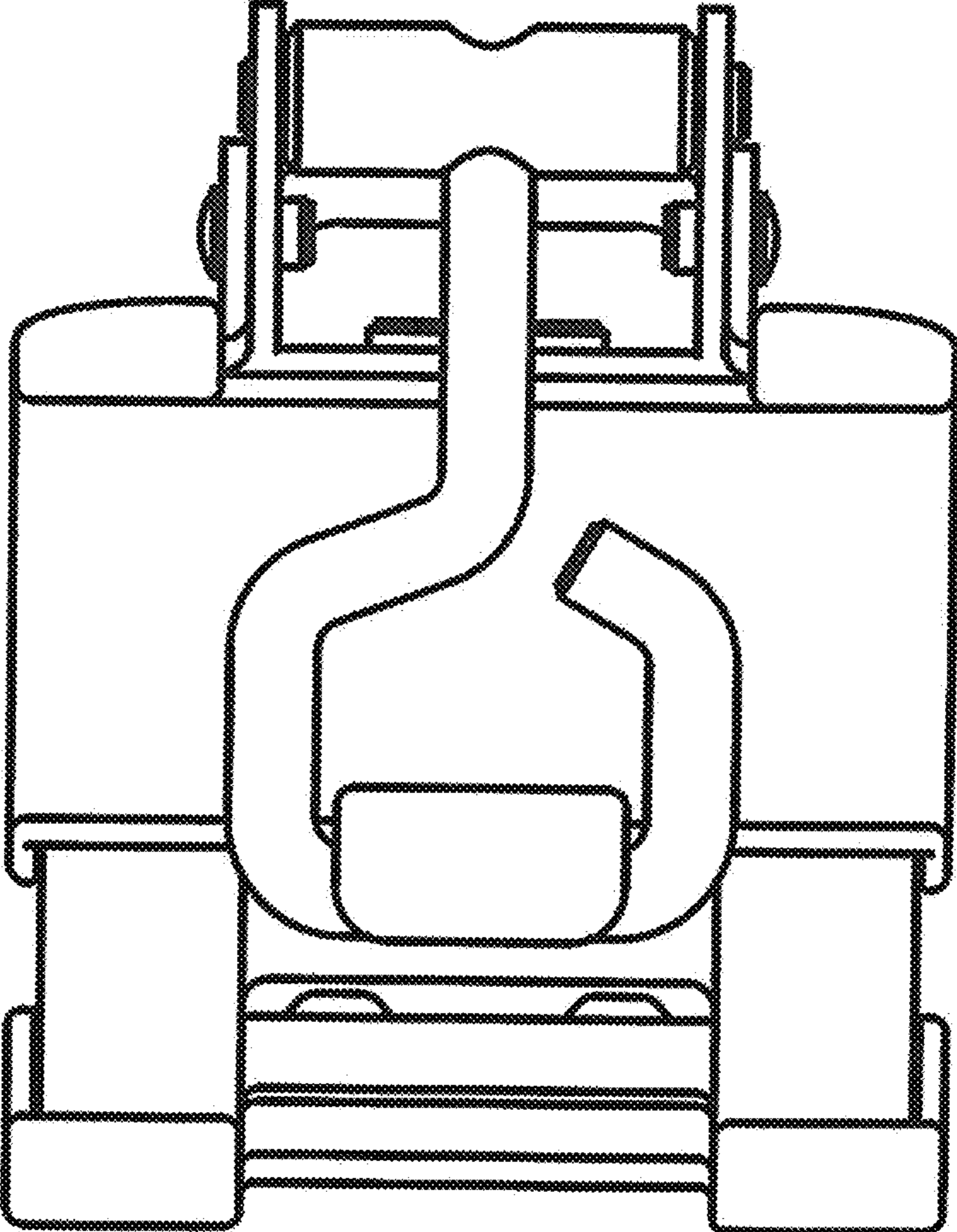


Figure 2

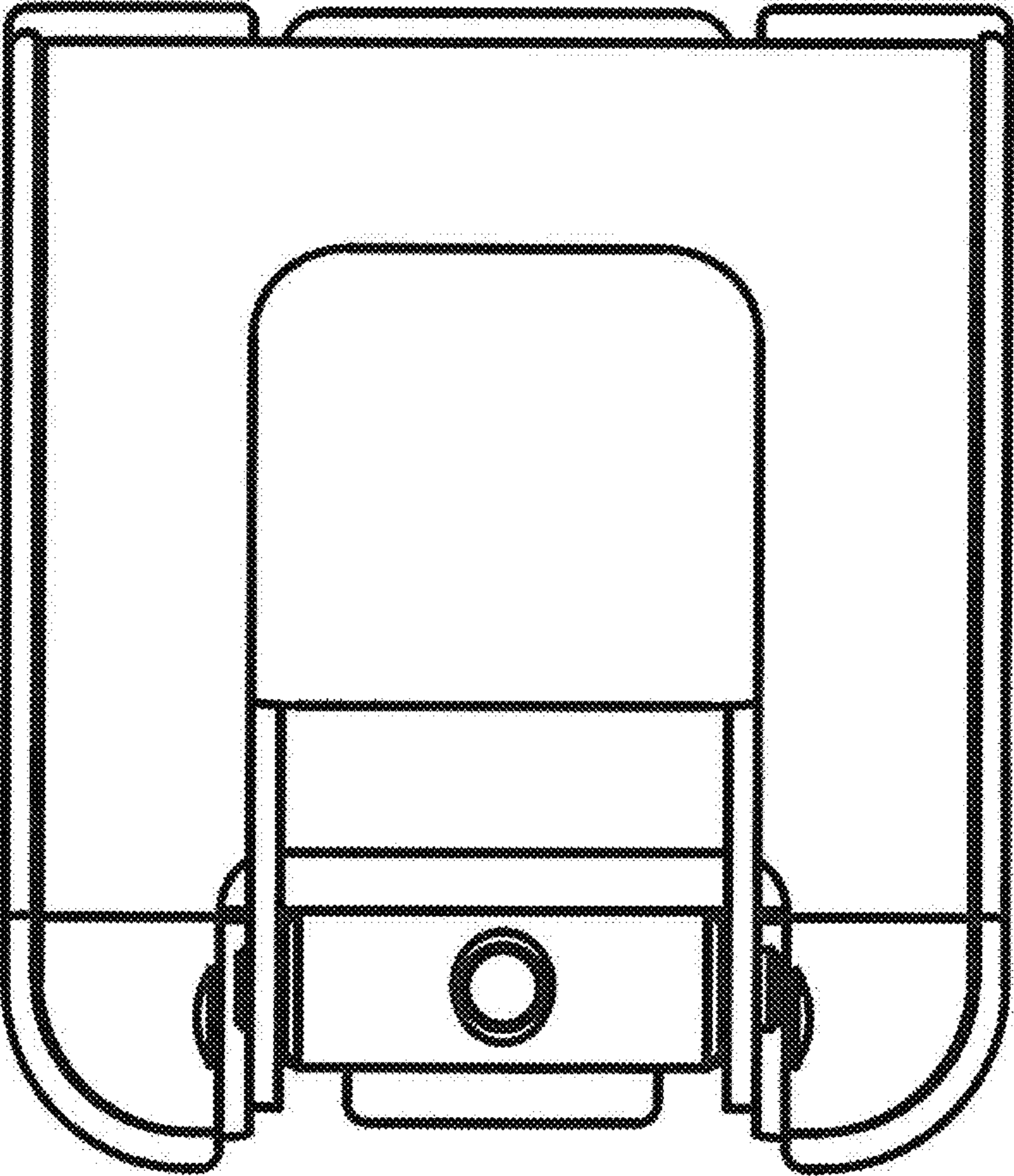


Figure 3

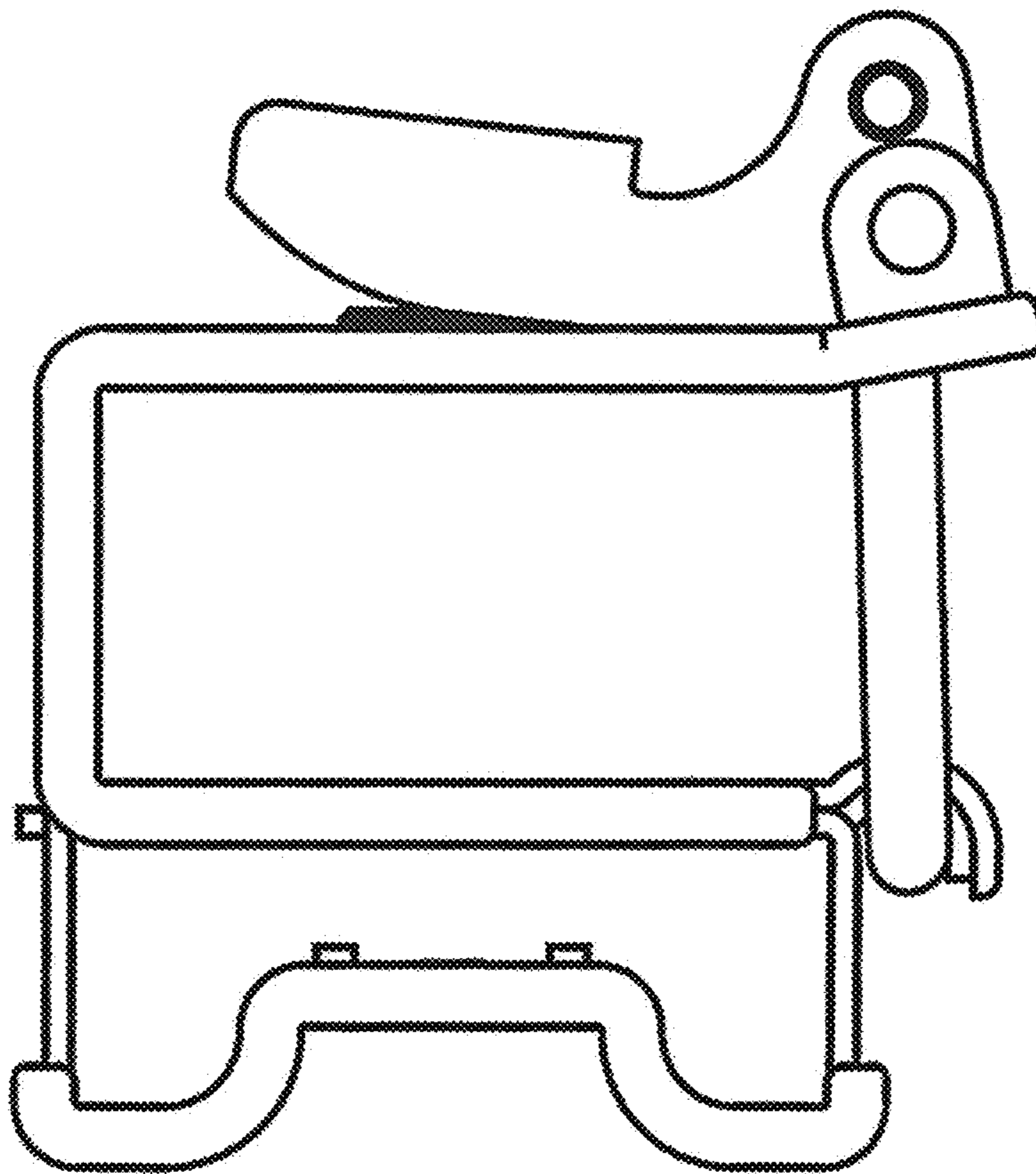


Figure 4

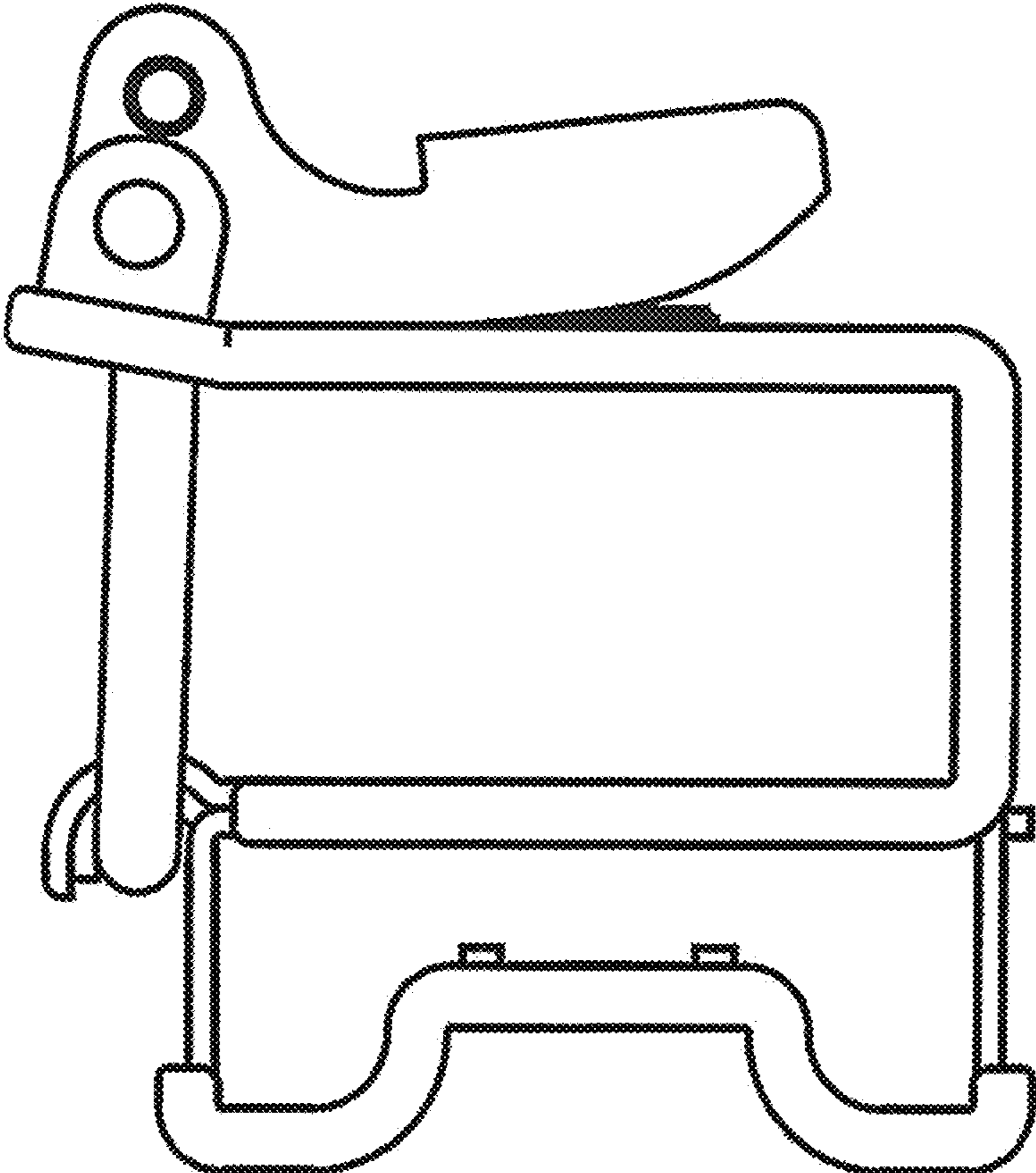


Figure 5

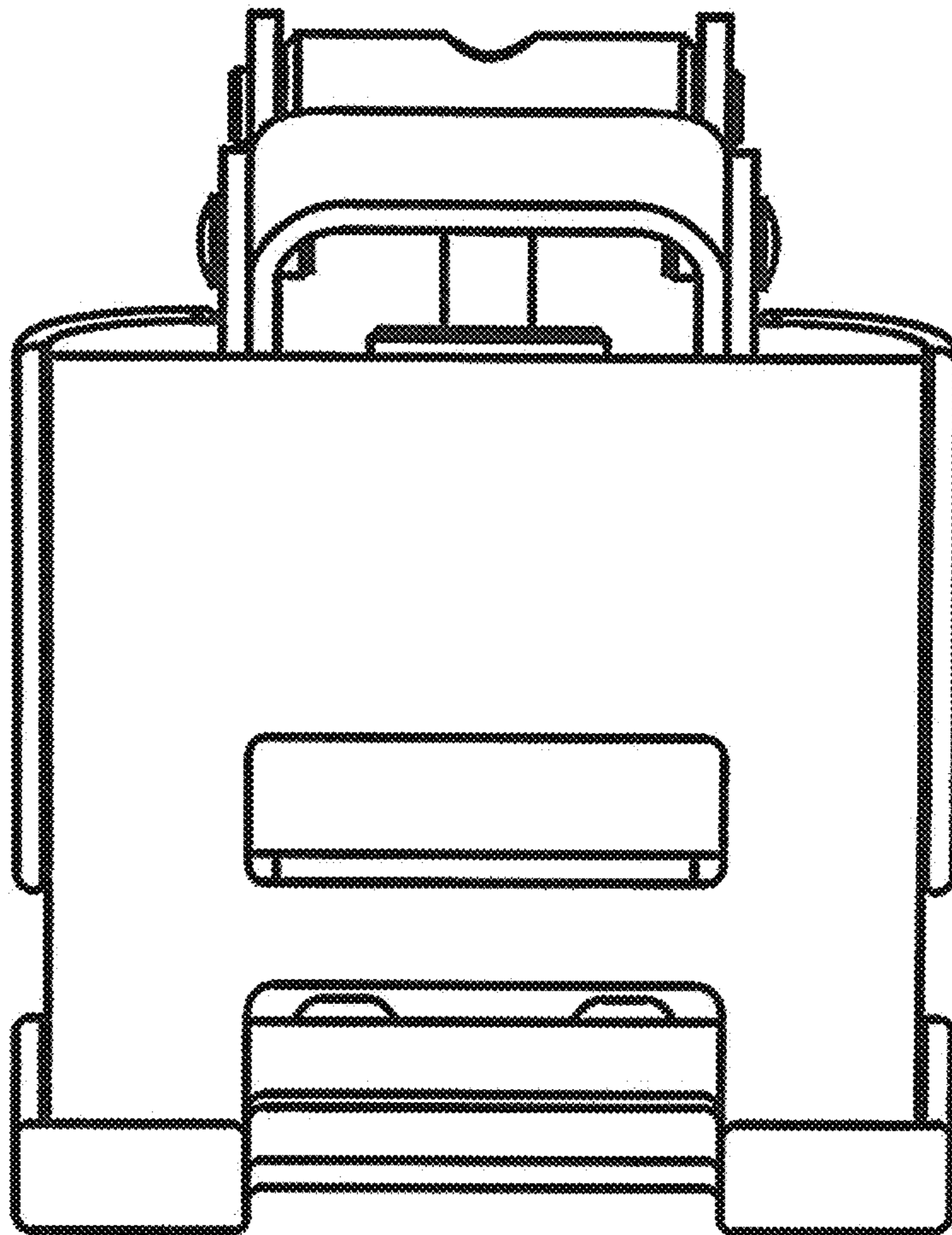


Figure 6

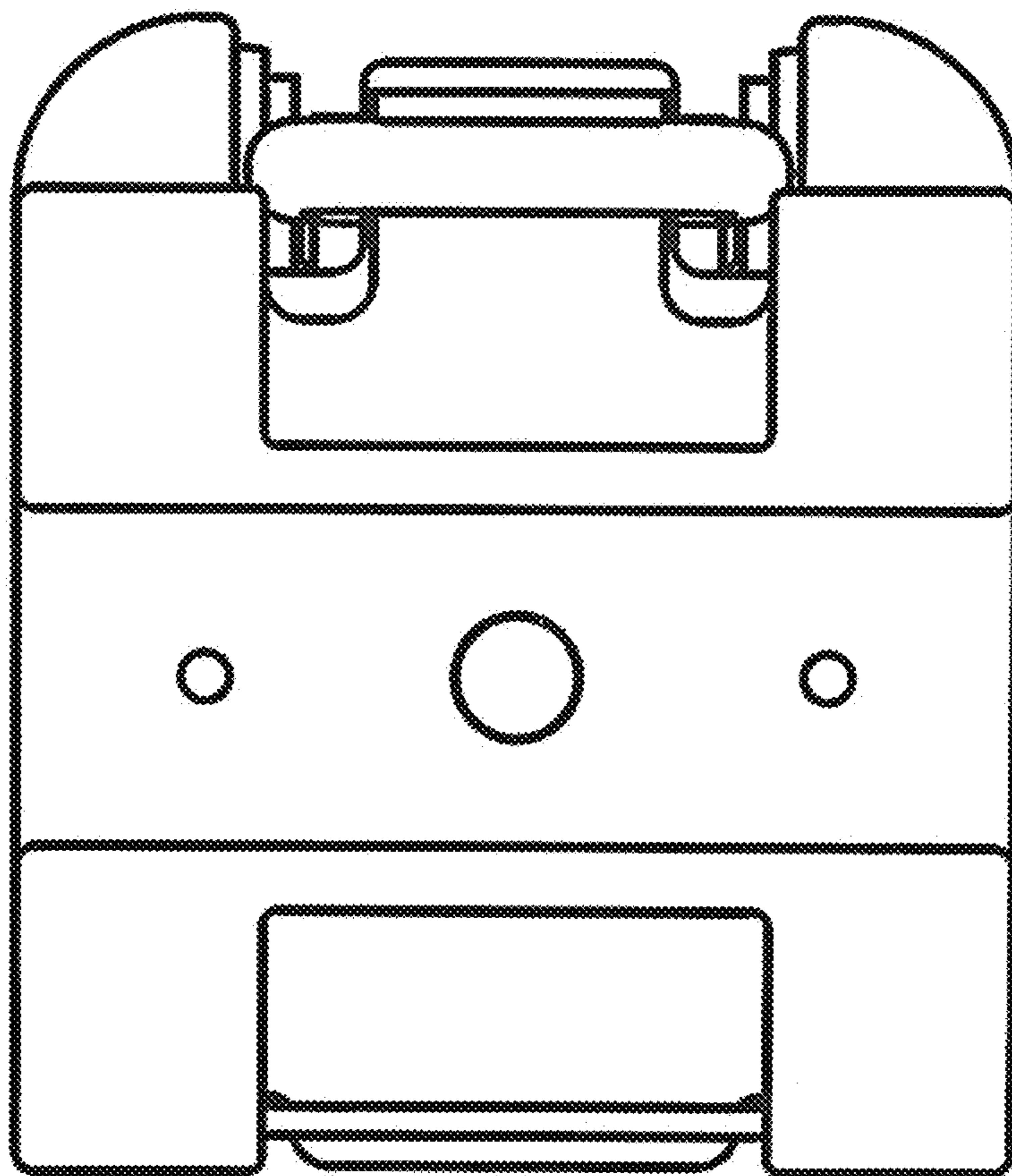


Figure 7

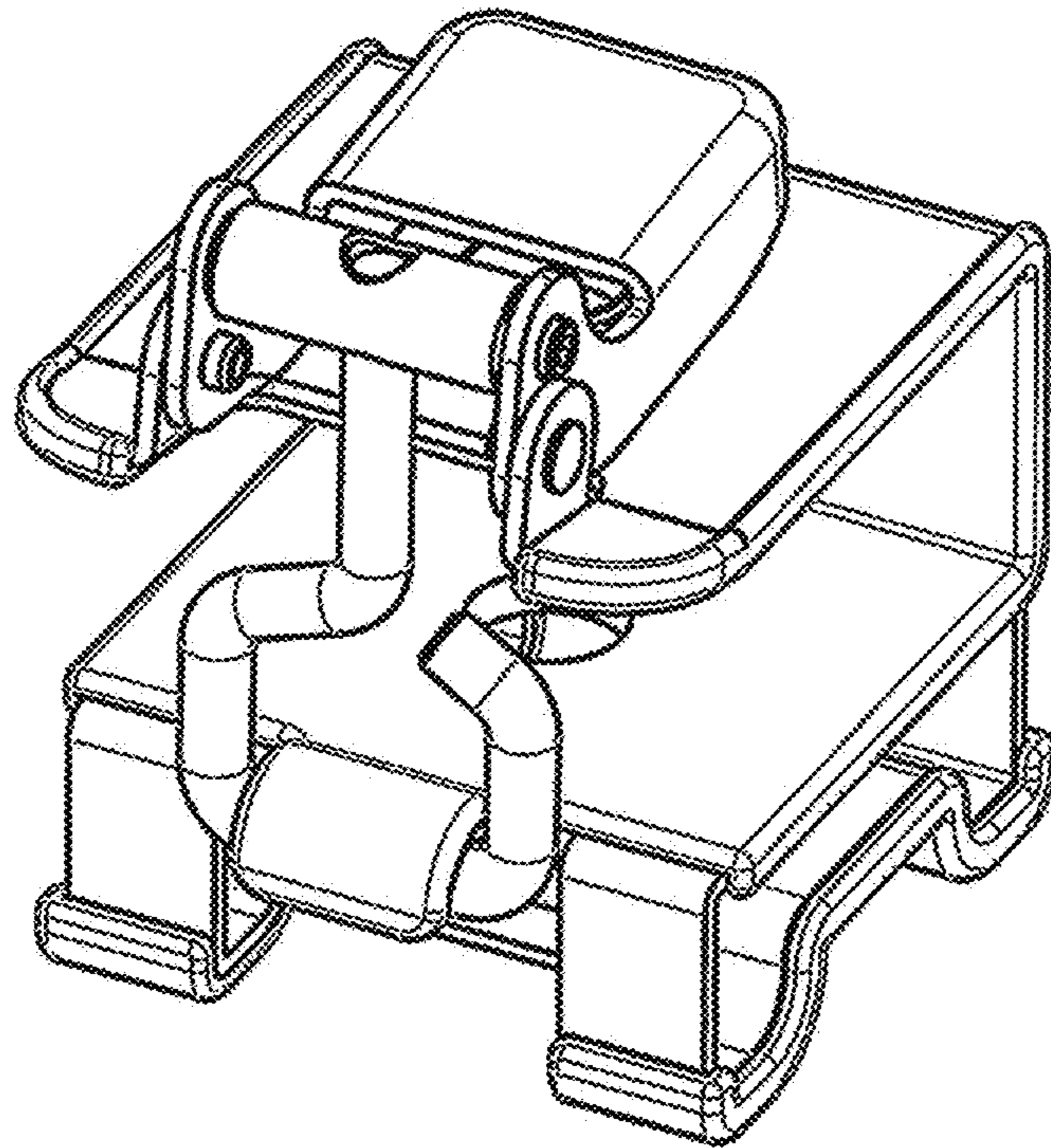




Figure 8

