



US00D778139S

(12) **United States Design Patent** (10) **Patent No.:** **US D778,139 S**
Sarnowski et al. (45) **Date of Patent:** **** Feb. 7, 2017**

(54) **SLIDE LATCH**

(71) Applicant: **GEM Products, Inc.**, Orange Park, FL (US)

(72) Inventors: **Jason Sarnowski**, Jacksonville, FL (US); **Matthew Stewart Onorato**, Jacksonville, FL (US)

(73) Assignee: **GEM Products, Inc.**, Orange Park, FL (US)

(**) Term: **15 Years**

(21) Appl. No.: **29/554,296**

(22) Filed: **Feb. 10, 2016**

(51) **LOC (10) Cl.** **08-07**

(52) **U.S. Cl.**
USPC **D8/339; D8/331**

(58) **Field of Classification Search**

USPC D8/330, 331, 336, 339, 343, 349, 350, D8/354, 382, 400, 300, 301, 302; 70/14, 70/51, 52, 57, 57.1, 67, 69, 78, 85, 86, 70/88, 141, 262, 263, 431, 218, 221, 203; 292/32, 358, 359, DIG. 68, DIG. 30, 137, 292/106, 108, 336.3

CPC E05B 3/00; E05B 9/00; E05B 2009/004; E05B 47/00; E05B 55/00; E05B 15/00; E05C 7/00; E05C 19/08

See application file for complete search history.

(56) **References Cited**

U.S. PATENT DOCUMENTS

5,529,427 A * 6/1996 Bost A47C 1/124
280/250.1
D498,407 S * 11/2004 Layton D8/331
7,146,831 B2 * 12/2006 Antonucci E05B 9/086
292/175
7,172,222 B1 * 2/2007 Hotovy E05C 1/04
292/137

(Continued)

Primary Examiner — Prabhakar Deshmukh

(74) *Attorney, Agent, or Firm* — Seyfarth Shaw LLP

(57) **CLAIM**

The ornamental design for a slide latch, as shown and described.

DESCRIPTION

FIG. 1 is a top, rear, right perspective view of a slide latch showing our new design;

FIG. 2 is a top, front, right perspective view thereof;

FIG. 3 is a bottom, rear, right perspective view thereof;

FIG. 4 is a bottom, front, right perspective view thereof;

FIG. 5 is a rear elevational view thereof;

FIG. 6 is a front elevational view thereof;

FIG. 7 is a top plan view thereof;

FIG. 8 is a bottom plan view thereof;

FIG. 9 is a right side elevational view thereof;

FIG. 10 is a left side elevational view thereof;

FIG. 11 is a top, front, left perspective of a second embodiment of a slide latch;

FIG. 12 is a top, rear, left perspective view of FIG. 11;

FIG. 13 is a bottom, front, left perspective view of FIG. 11;

FIG. 14 is a bottom, rear, left perspective view of FIG. 11;

FIG. 15 is a rear elevational view of FIG. 11;

FIG. 16 is a front elevational view of FIG. 11;

FIG. 17 is a top plan view of FIG. 11;

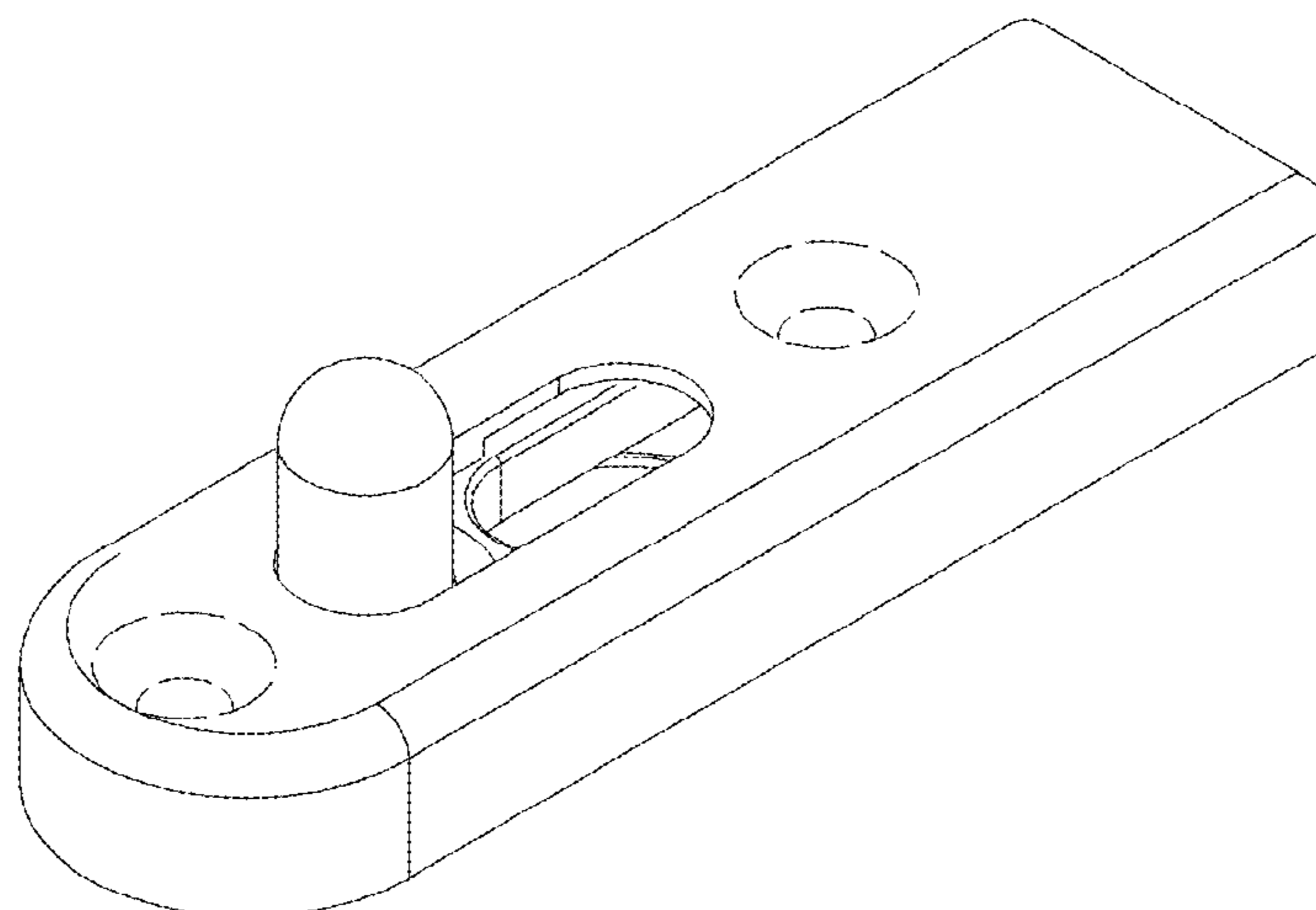
FIG. 18 is a bottom plan view of FIG. 11;

FIG. 19 is a right elevational view of FIG. 11; and,

FIG. 20 is a left side elevational view of FIG. 11.

The broken lines illustrate unclaimed portions of the claimed design and environment and form no part of the claimed design.

1 Claim, 10 Drawing Sheets



(56)

References Cited

U.S. PATENT DOCUMENTS

7,513,698 B2 * 4/2009 Andersson G02B 6/4292
385/88
D595,562 S * 7/2009 Jones D8/331
D657,227 S * 4/2012 Charette D8/331
D684,843 S * 6/2013 Charette D8/331
8,814,833 B2 * 8/2014 Farrell A61M 5/326
604/164.04
D753,461 S * 4/2016 Dominguez D8/330
9,320,397 B2 * 4/2016 Gottschall A47L 7/0019
D766,068 S * 9/2016 Marsden D8/331
D769,101 S * 10/2016 Zemel D8/321

* cited by examiner

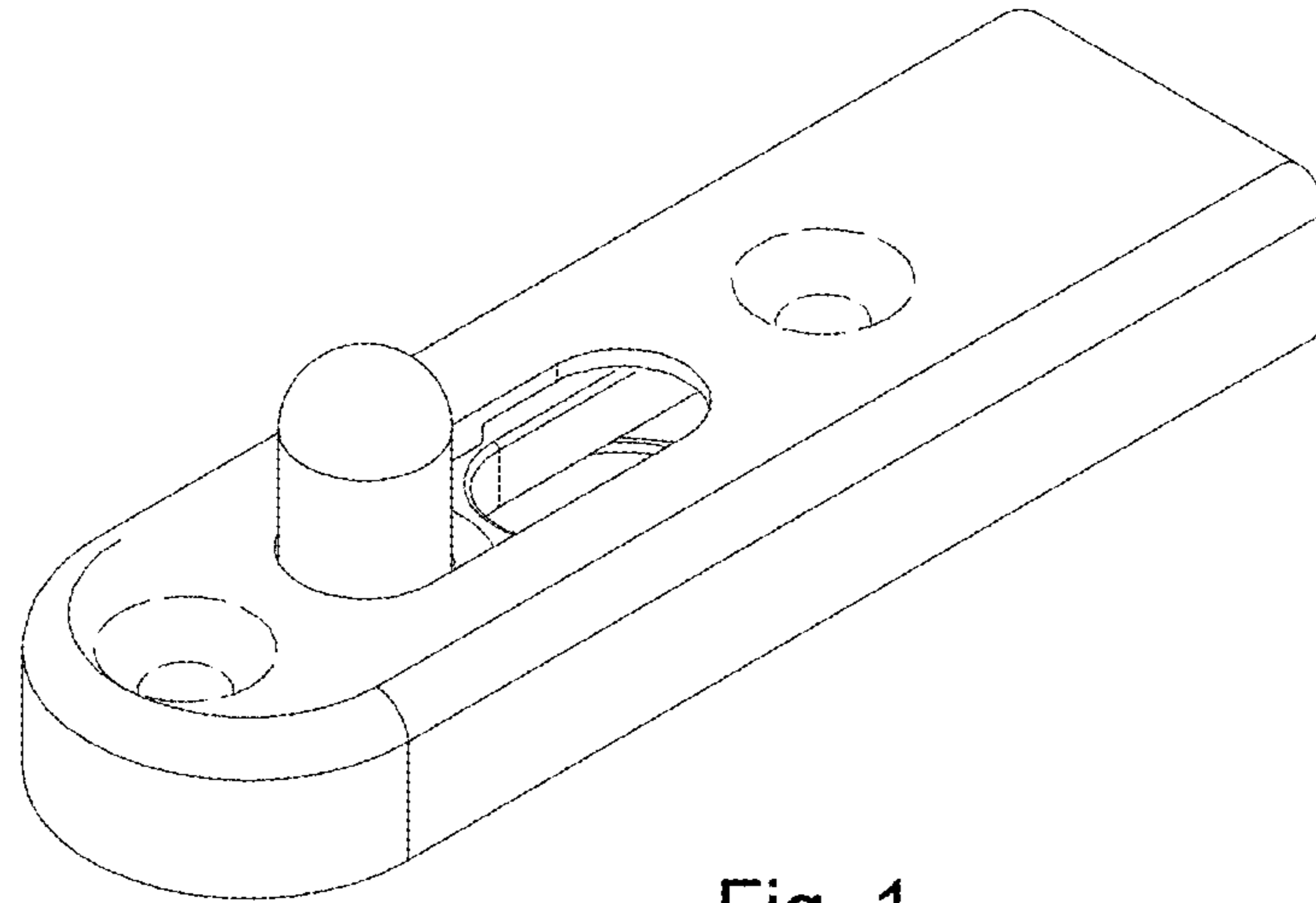


Fig. 1

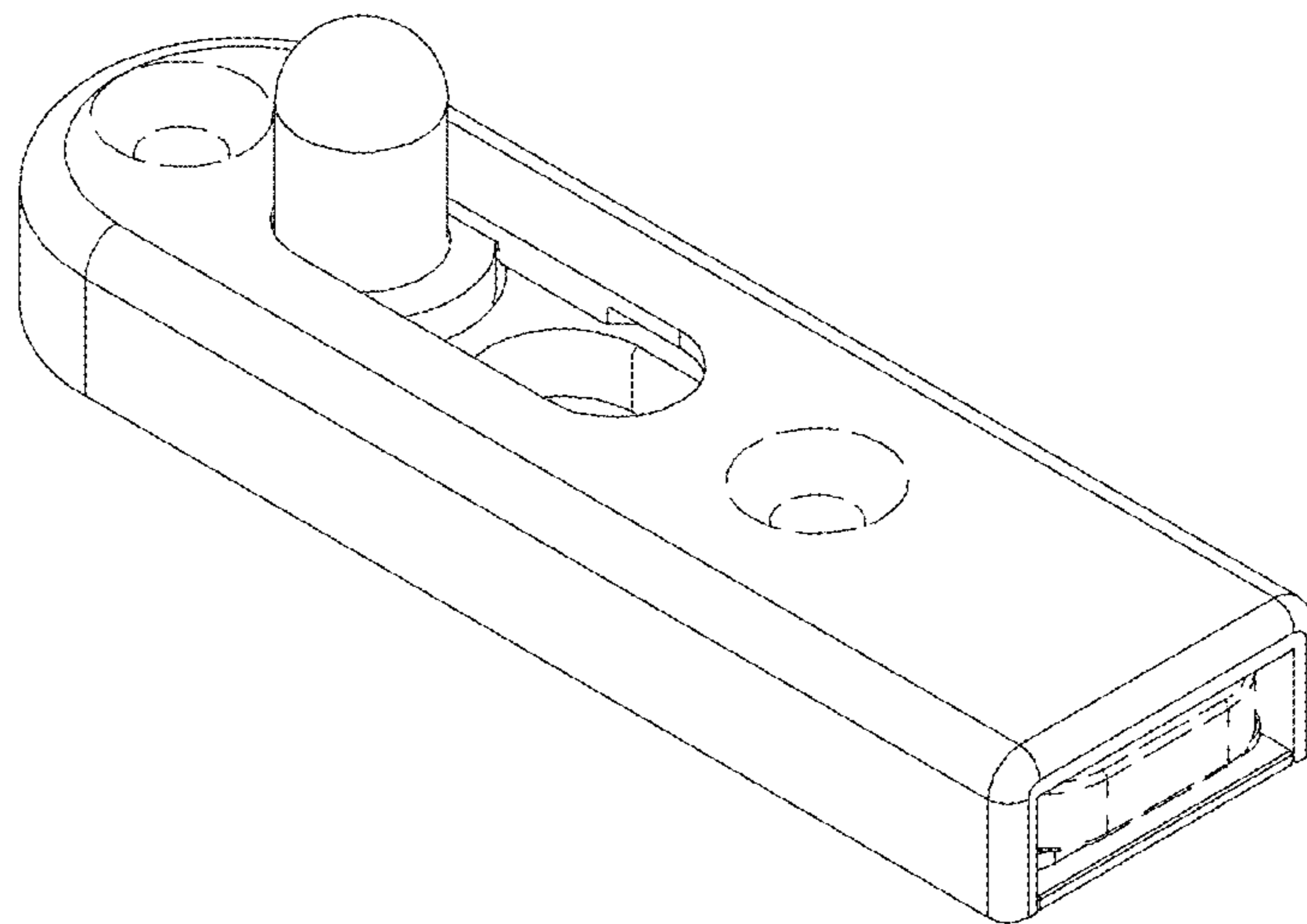


Fig. 2

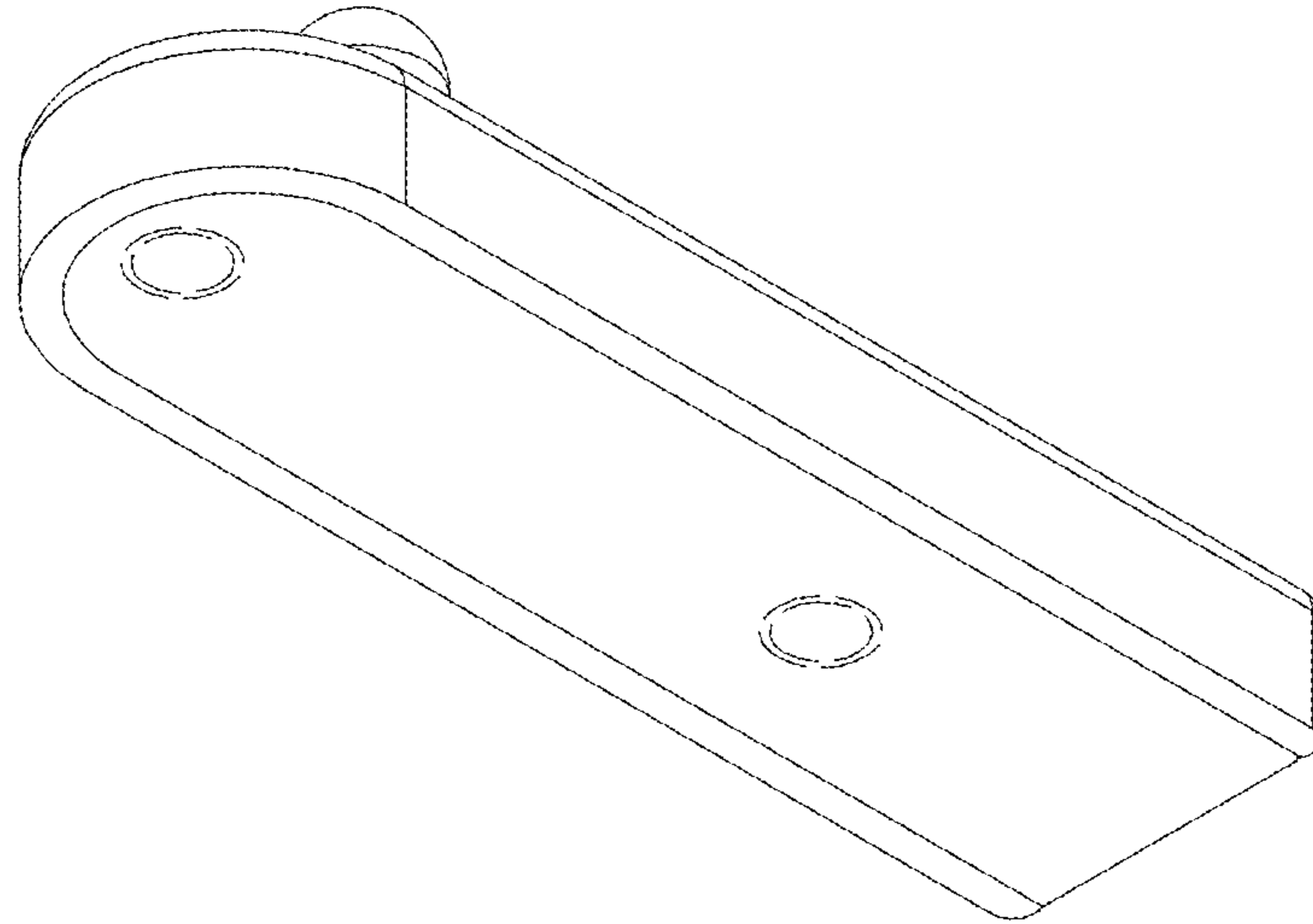


Fig. 3

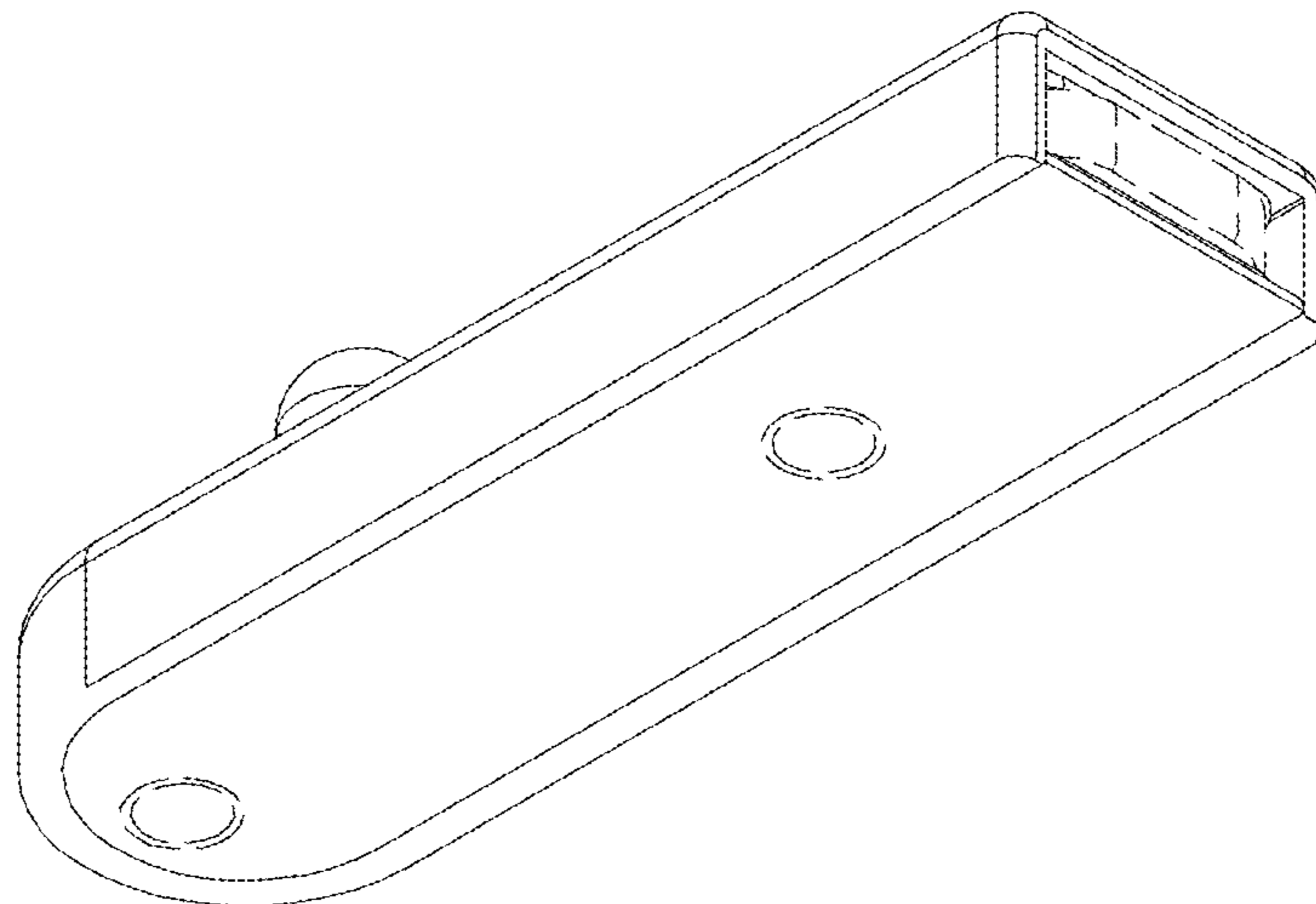


Fig. 4

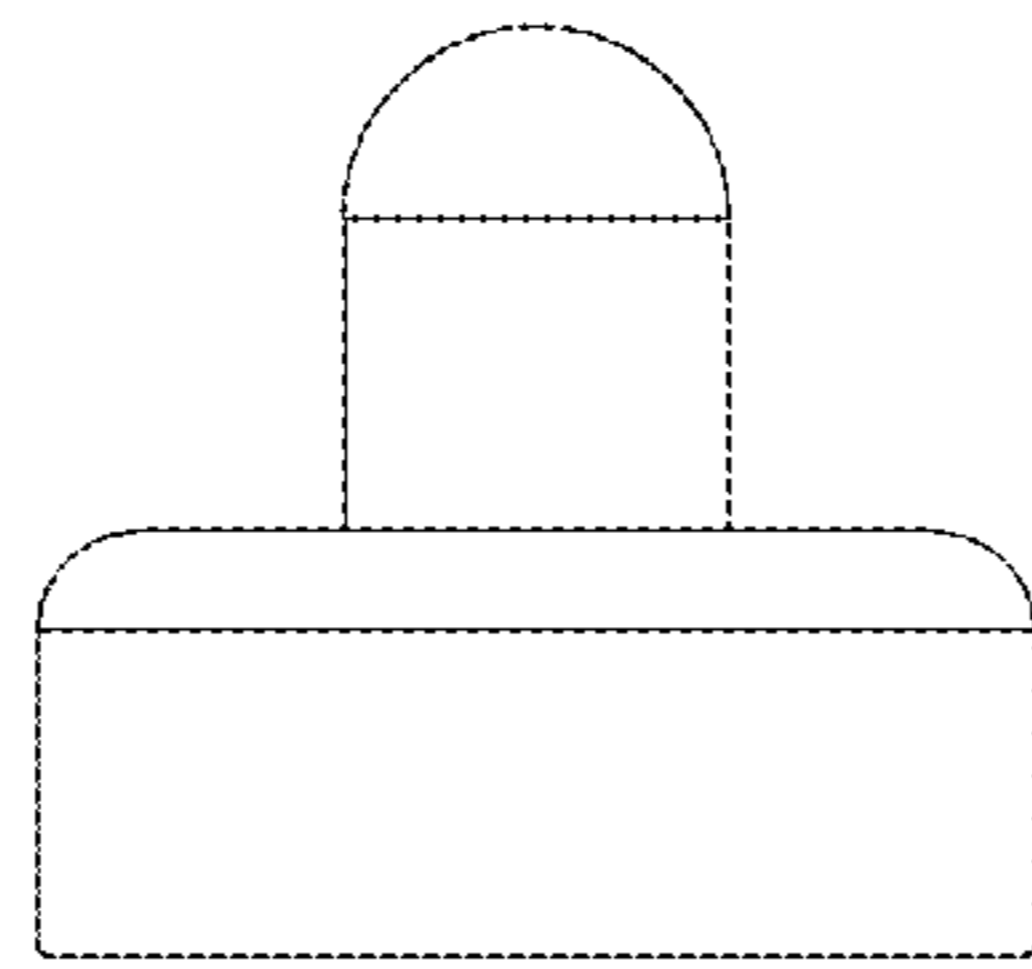


Fig. 5

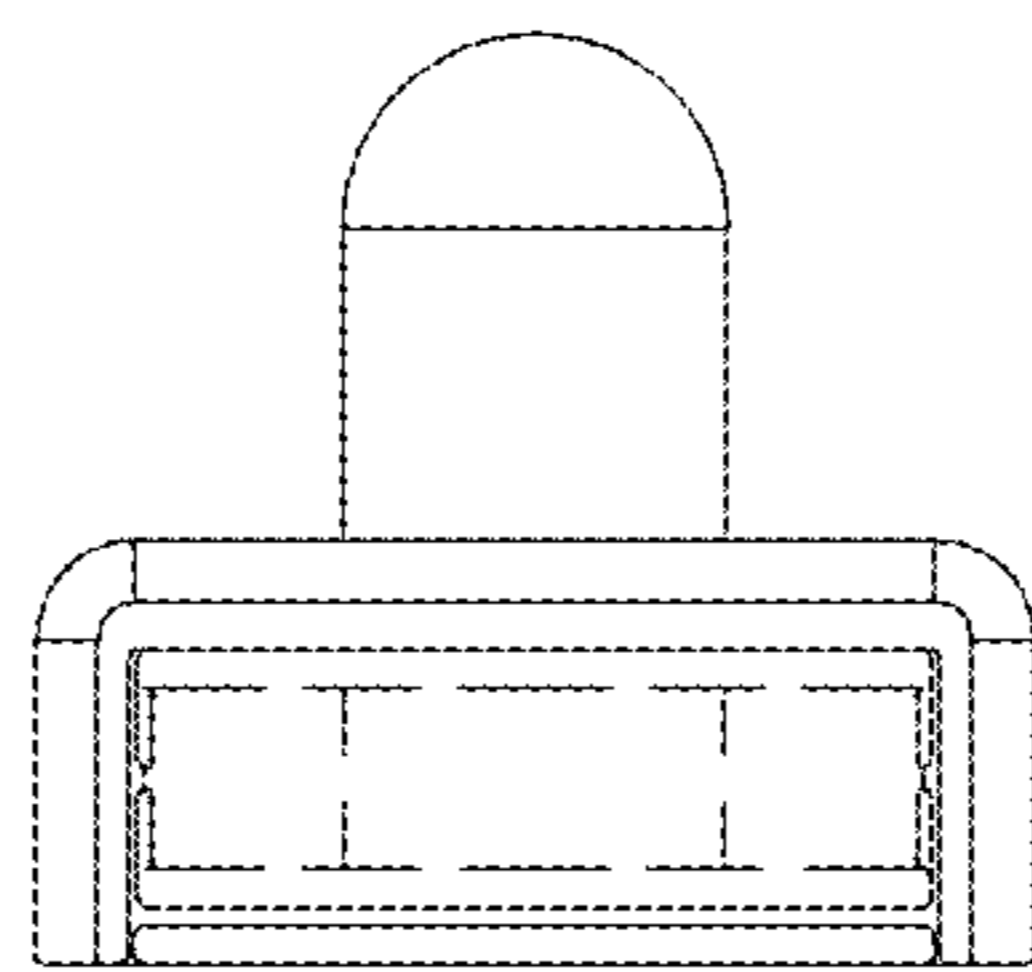


Fig. 6

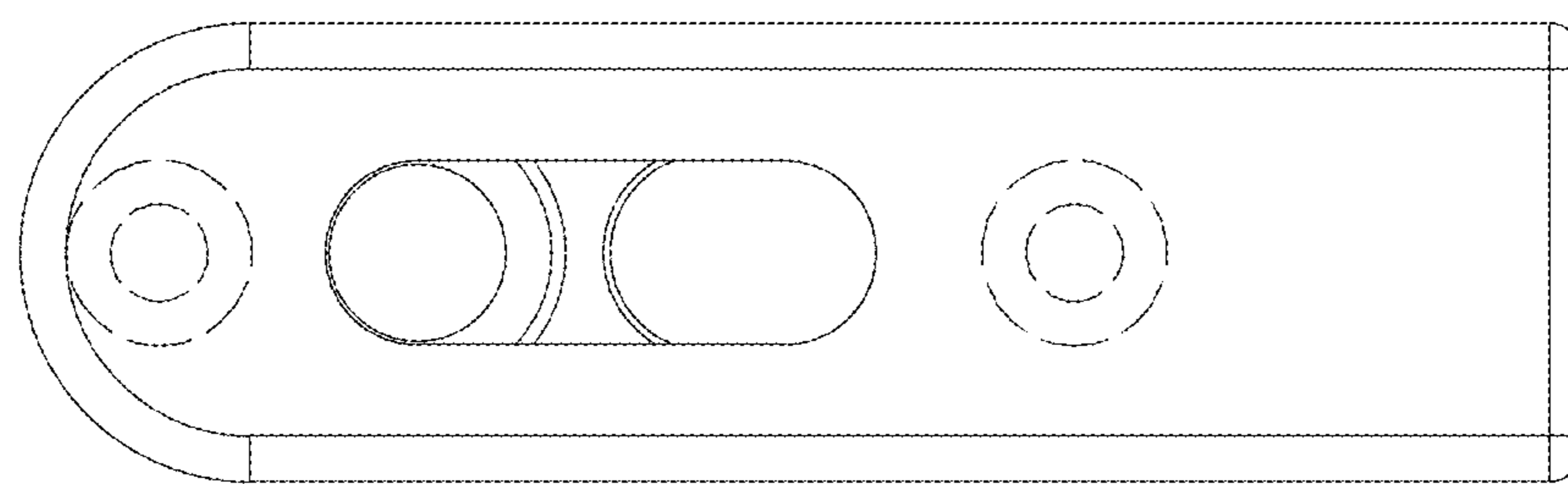


Fig. 7

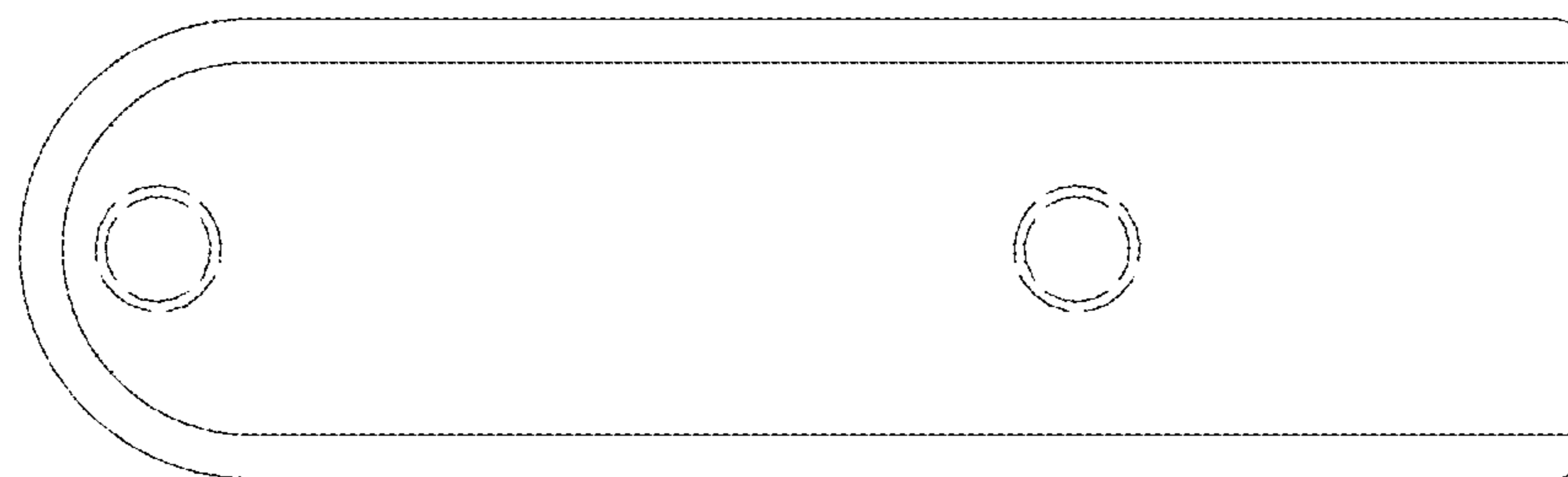


Fig. 8

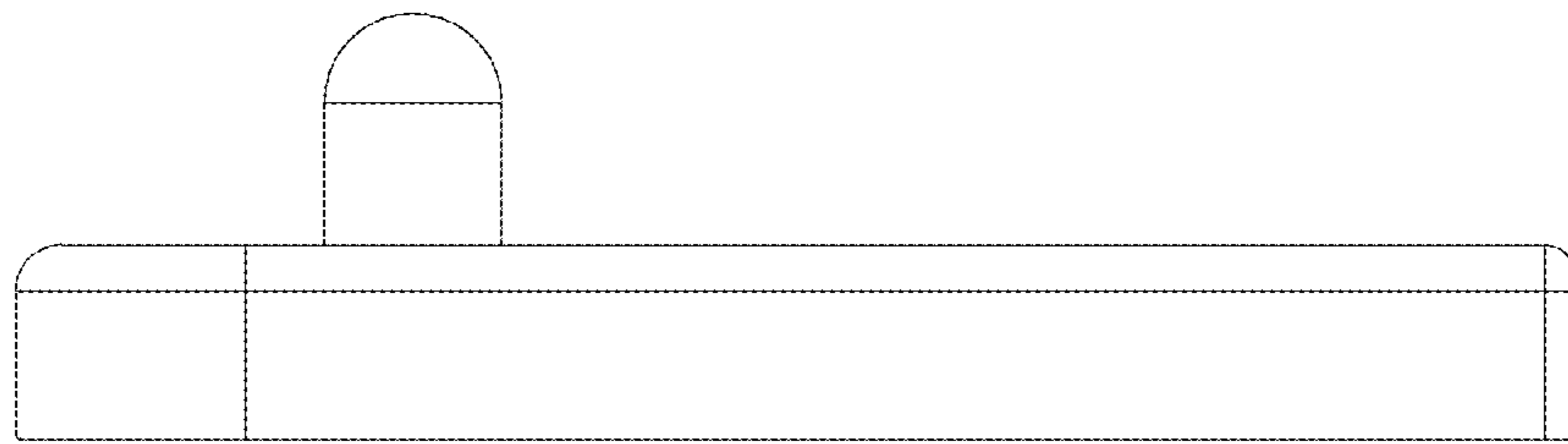


Fig. 9

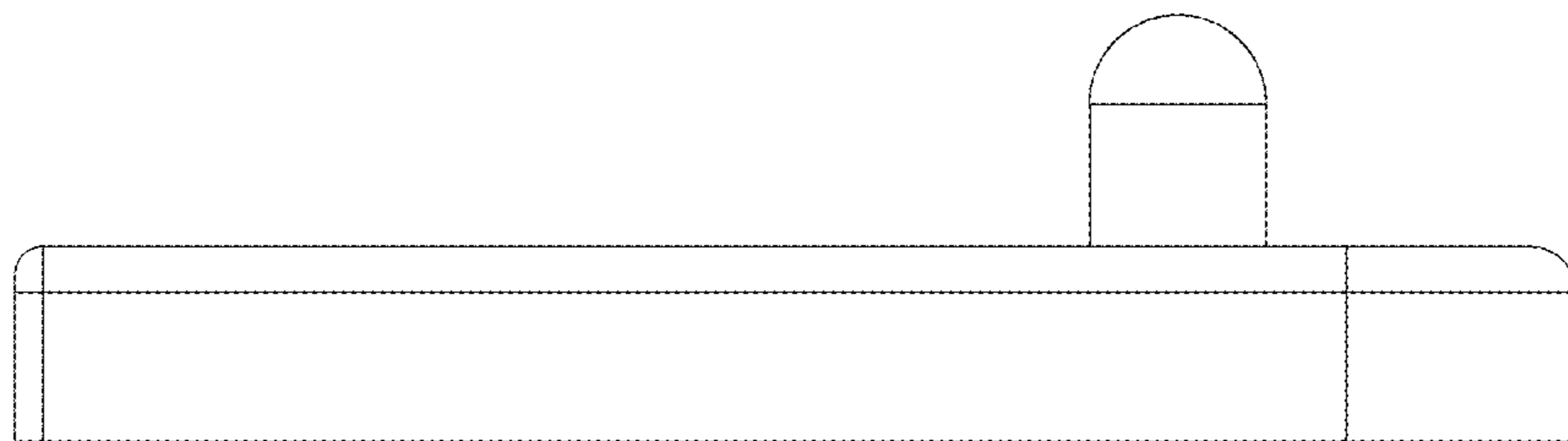


Fig. 10

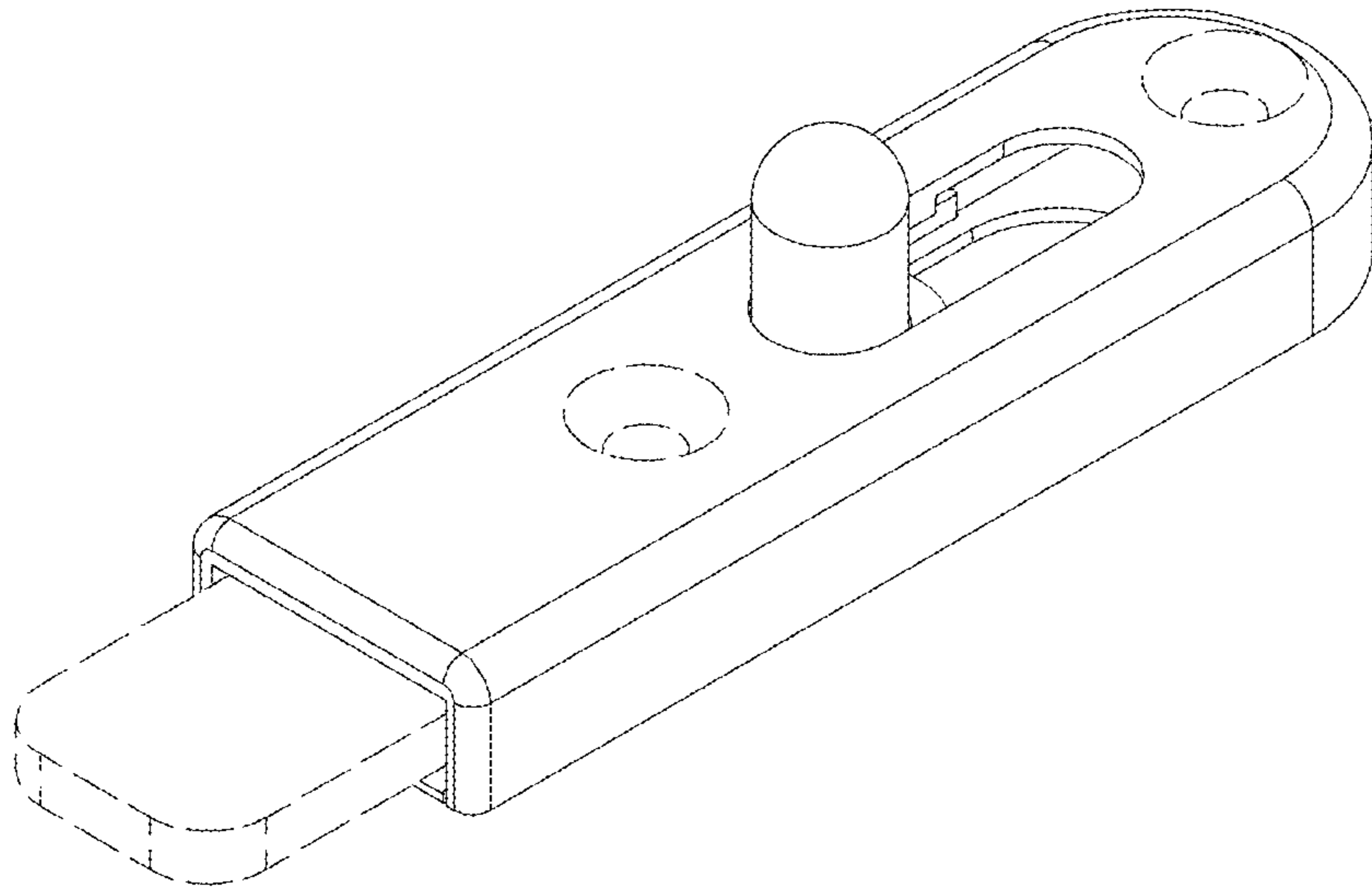


Fig. 11

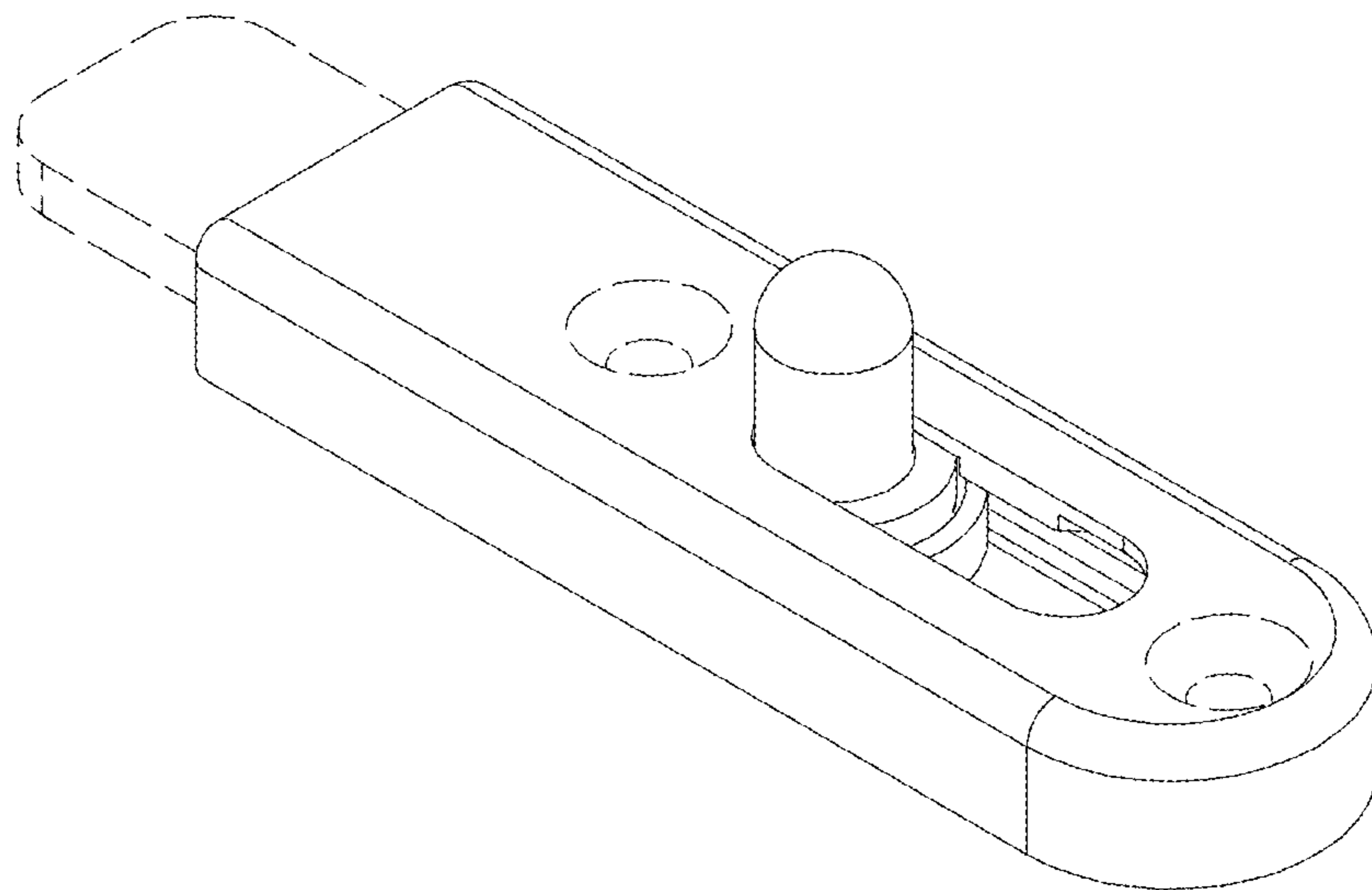


Fig. 12

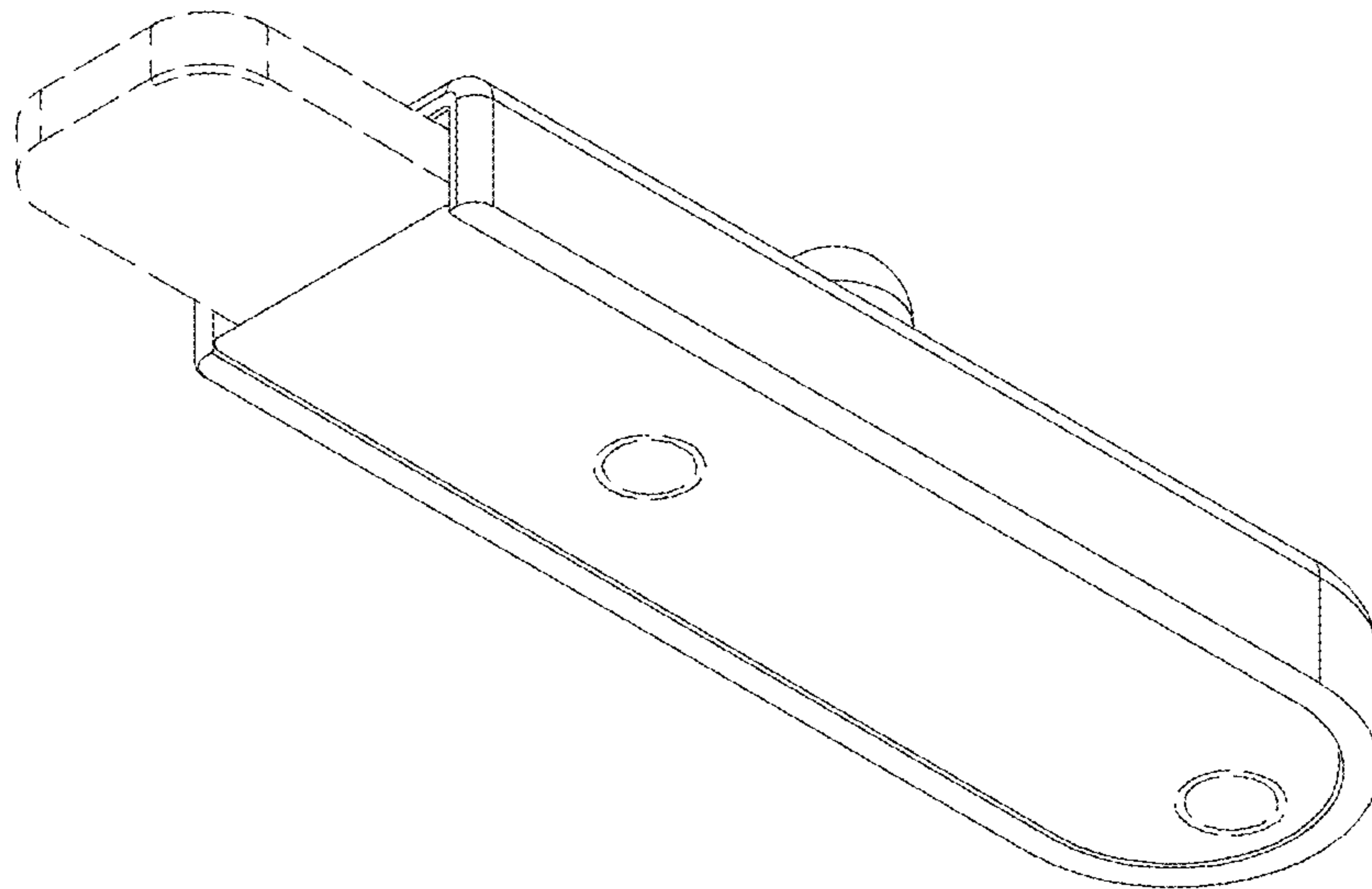


Fig. 13

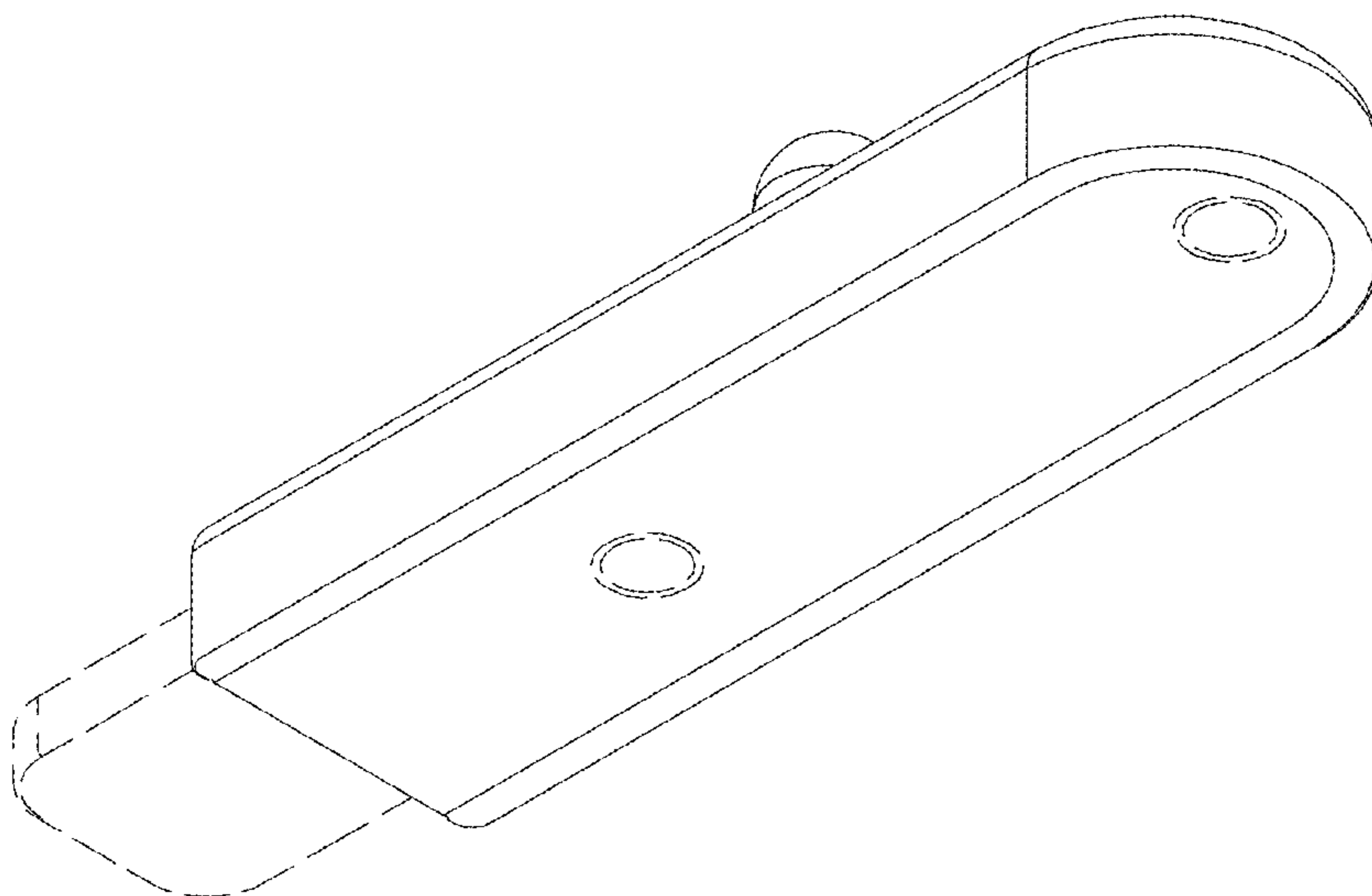


Fig. 14

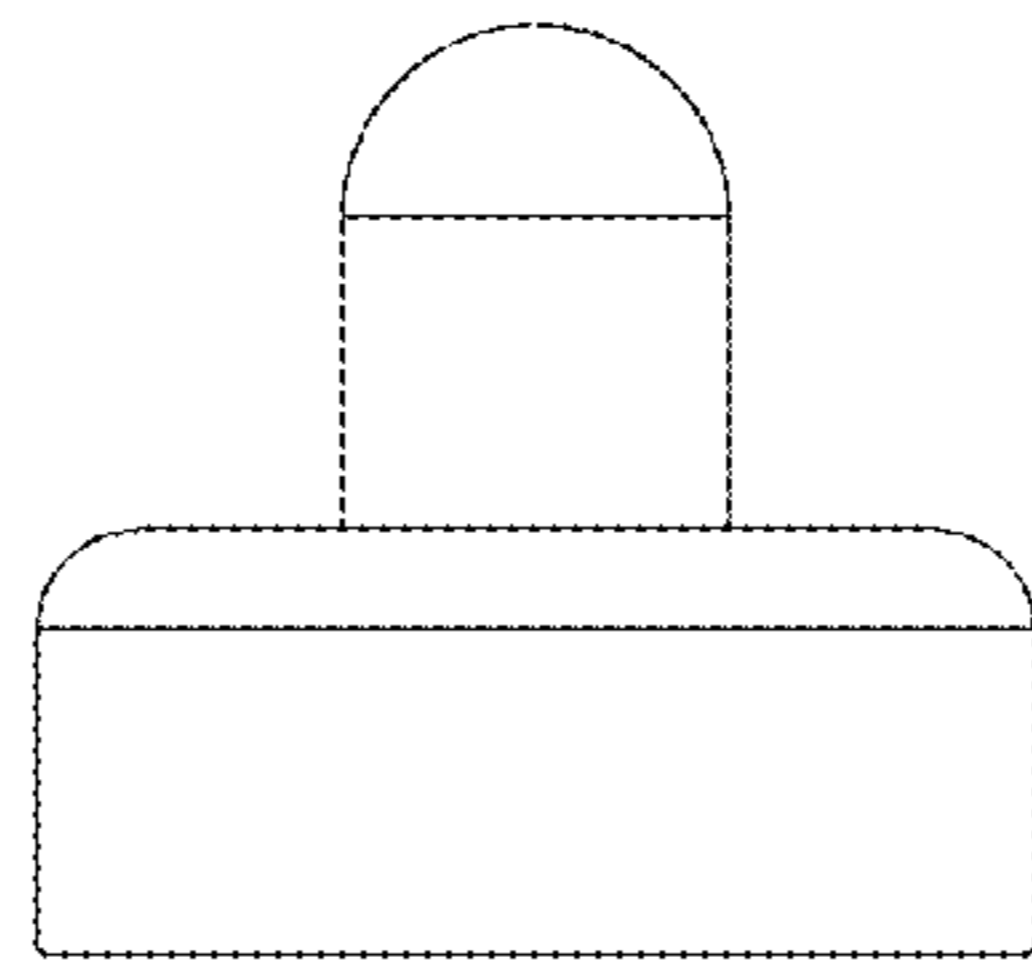


Fig. 15

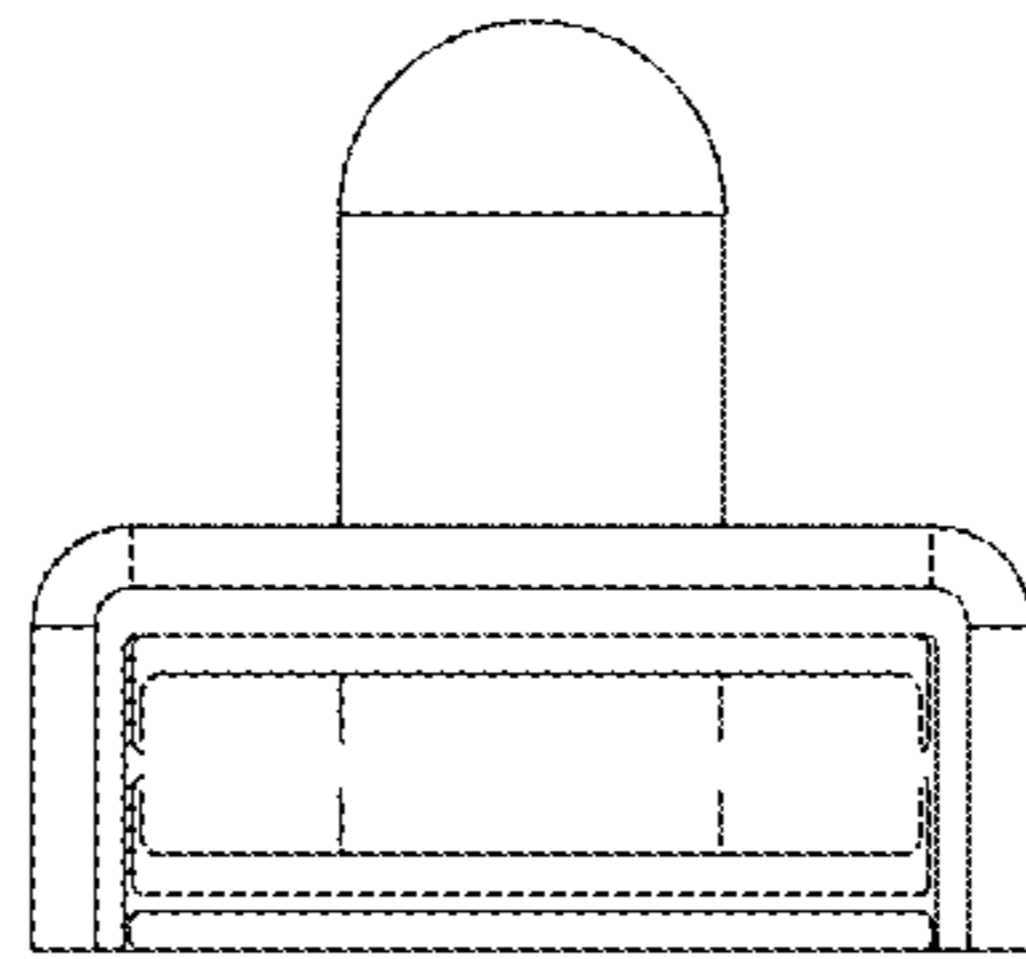


Fig. 16

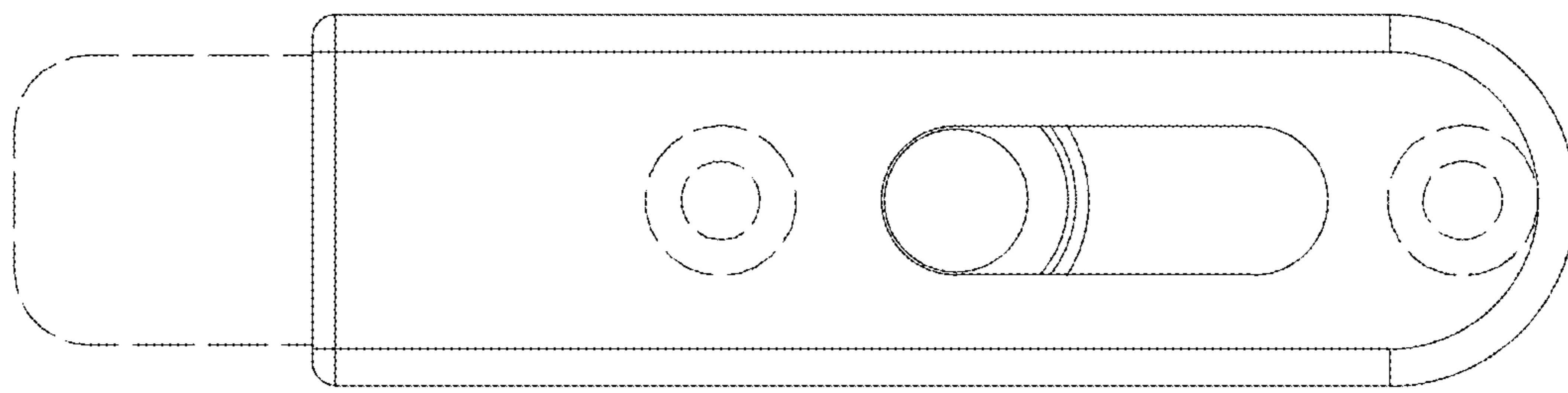


Fig. 17

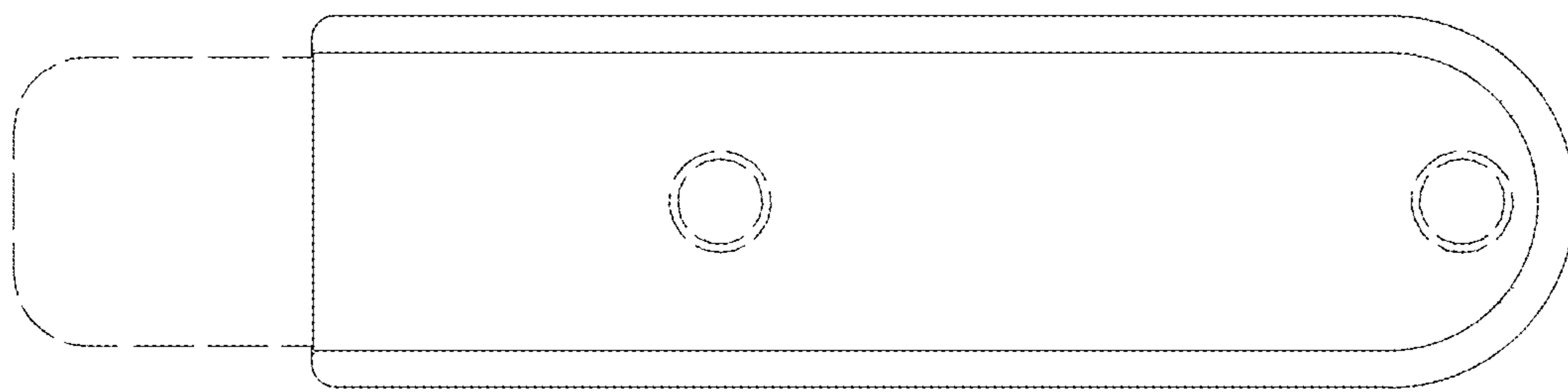


Fig. 18

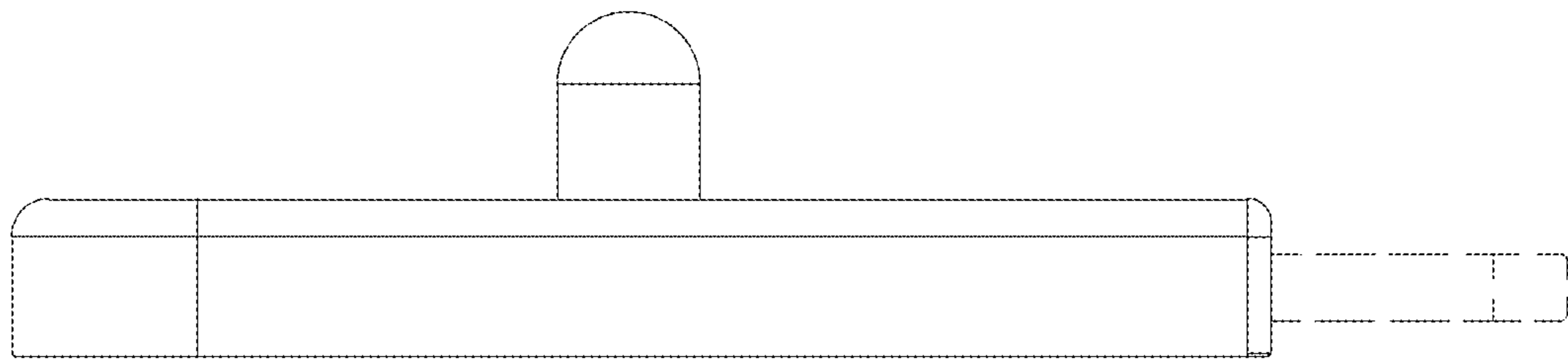


Fig. 19

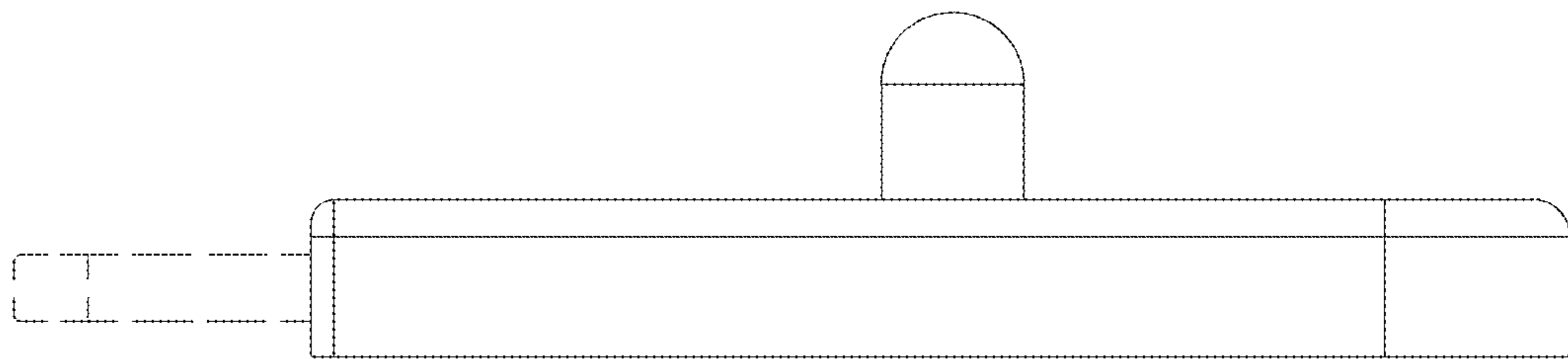


Fig. 20