



US00D778136S

(12) **United States Design Patent**
Chen

(10) **Patent No.:** **US D778,136 S**

(45) **Date of Patent:** **** Feb. 7, 2017**

(54) **MALLET**
(71) Applicant: **LUCKY-BRAND INDUSTRIAL CO., LTD.**, Taichung (TW)
(72) Inventor: **Ying-Chieh Chen**, Taichung (TW)
(73) Assignee: **LUCKY-BRAND INDUSTRIAL CO., LTD.**, Taichung (TW)
(**) Term: **15 Years**

3,942,567 A * 3/1976 Richilano B22D 19/00
81/19
D274,496 S * 7/1984 Grover D8/77
D285,284 S * 8/1986 Blomqvist D8/77
D350,269 S * 9/1994 Majors D8/77
5,960,677 A * 10/1999 Carmien B25D 1/12
81/20
D418,226 S * 12/1999 Cody D24/186
D463,725 S * 10/2002 Wroblewski D8/77
D579,298 S * 10/2008 Moxey D8/77
D649,246 S * 11/2011 Prichett D24/142
D653,095 S * 1/2012 Onello D8/77

(21) Appl. No.: **29/531,397**
(22) Filed: **Jun. 25, 2015**
(51) **LOC (10) Cl.** **08-02**
(52) **U.S. Cl.**
USPC **D8/77**
(58) **Field of Classification Search**
USPC D8/75, 76, 77, 78, 79, 80, 81
CPC B25G 1/00; B25G 1/01; B25G 1/02;
B25D 1/00; B25D 1/10; B25D
1/14; B25D 1/02; B25D 1/04; B25F 1/00;
B25F 1/006
See application file for complete search history.

* cited by examiner

Primary Examiner — Philip S Hyder

(74) *Attorney, Agent, or Firm* — Muncy, Geissler, Olds & Lowe, P.C.

(57) **CLAIM**

The ornamental design for a mallet, as shown.

DESCRIPTION

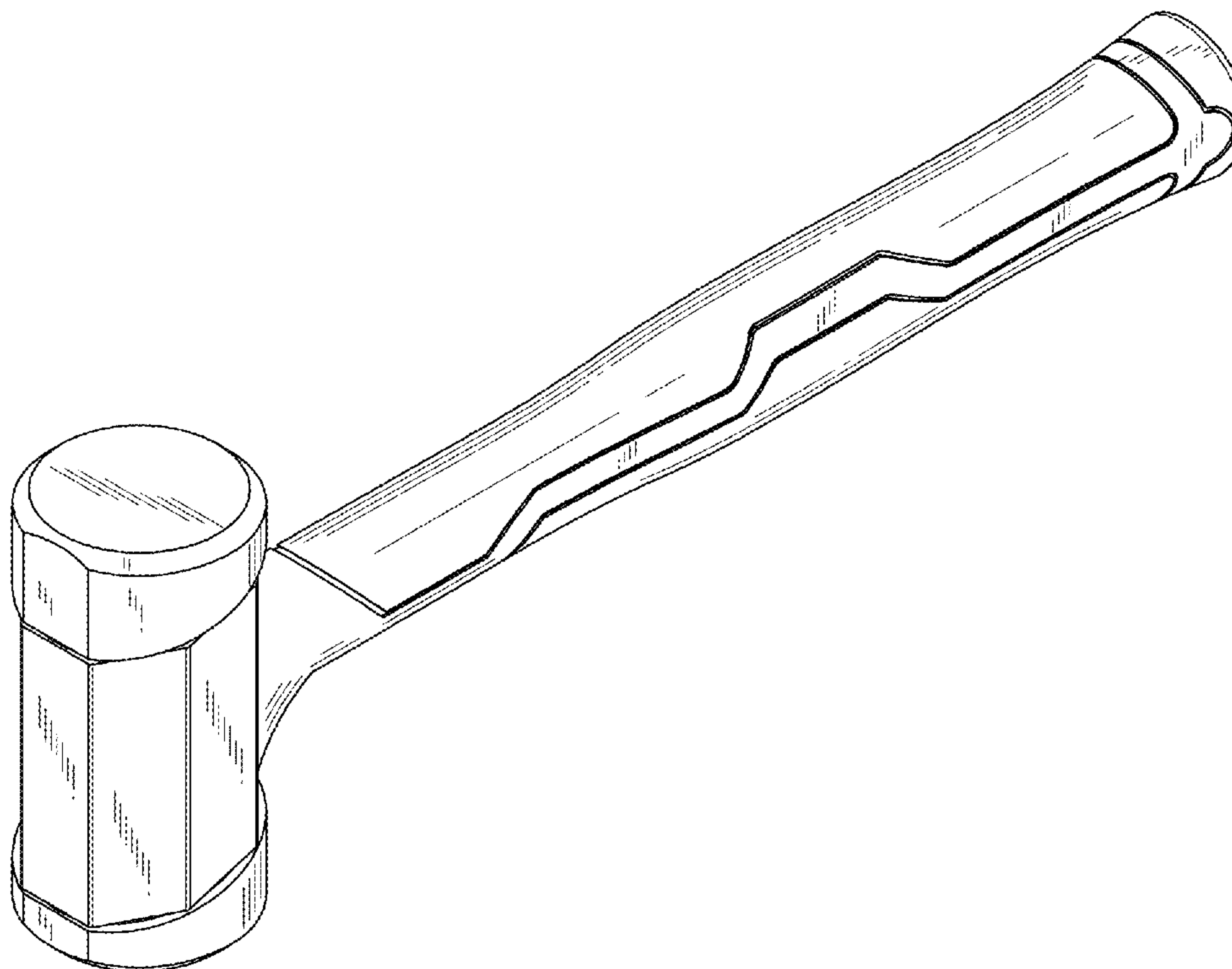
FIG. 1 is a perspective view of the present design;
FIG. 2 is a front view of the present design;
FIG. 3 is a rear view of the present design;
FIG. 4 is a left side view of the present design;
FIG. 5 is a right side view of the present design;
FIG. 6 is a top view of the present design; and,
FIG. 7 is a bottom view of the present design.

(56) **References Cited**

U.S. PATENT DOCUMENTS

D179,018 S * 10/1956 Lowe D8/77
3,844,321 A * 10/1974 Cook B25D 1/00
273/DIG. 8

1 Claim, 5 Drawing Sheets



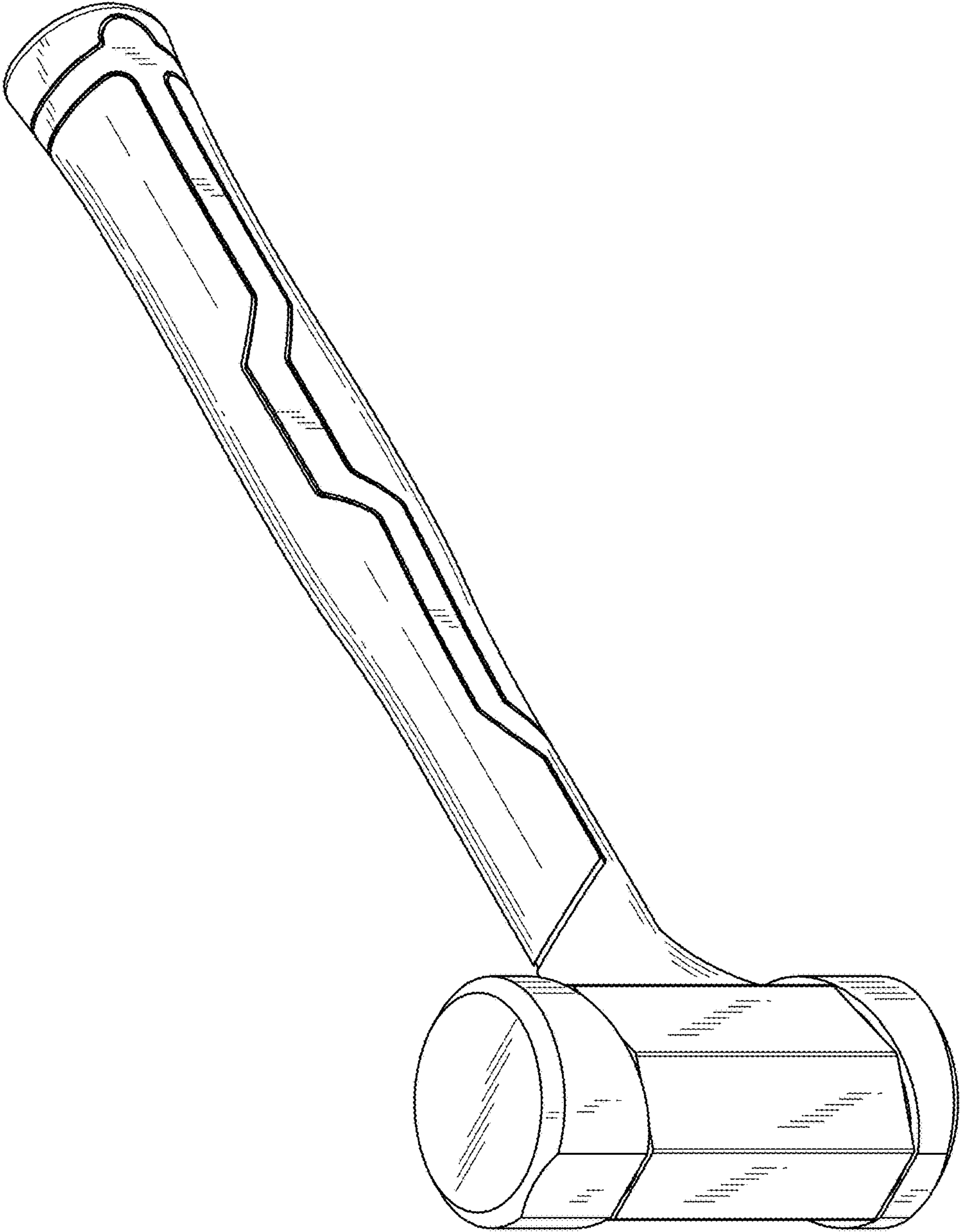


FIG. 1

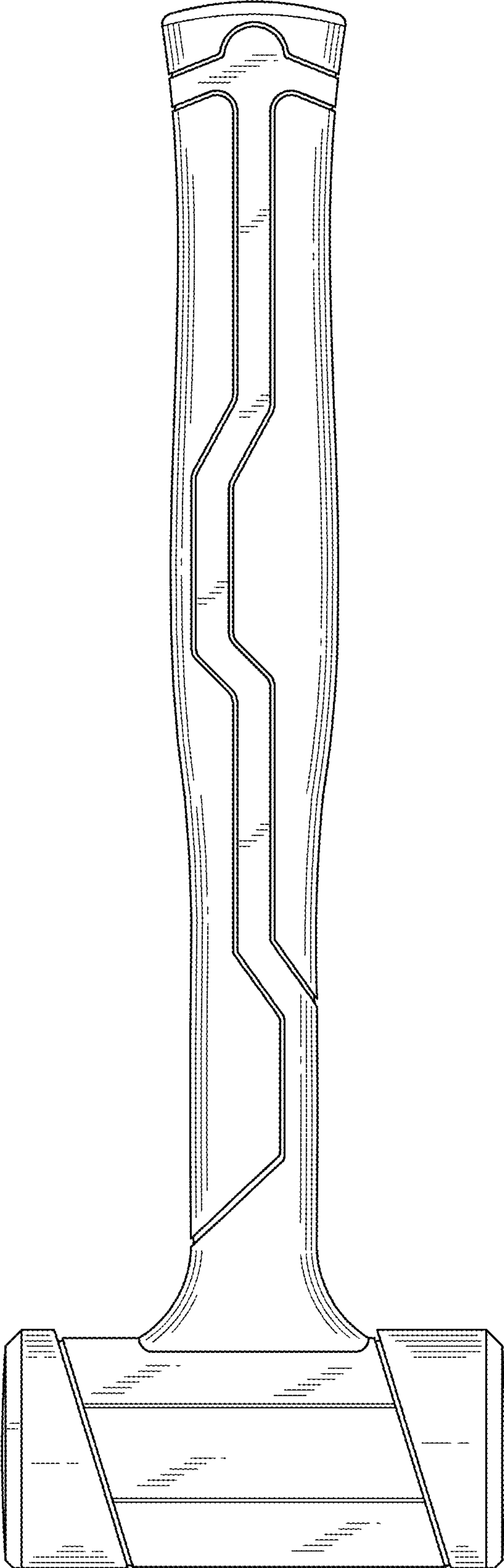


FIG. 2

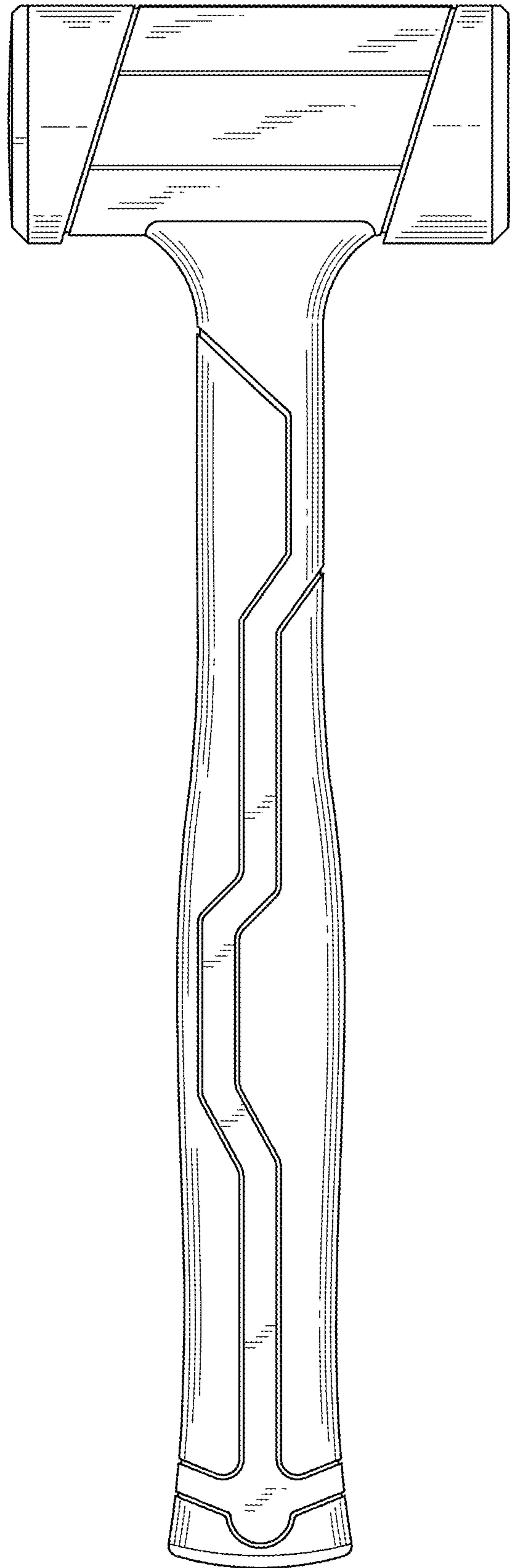


FIG. 3

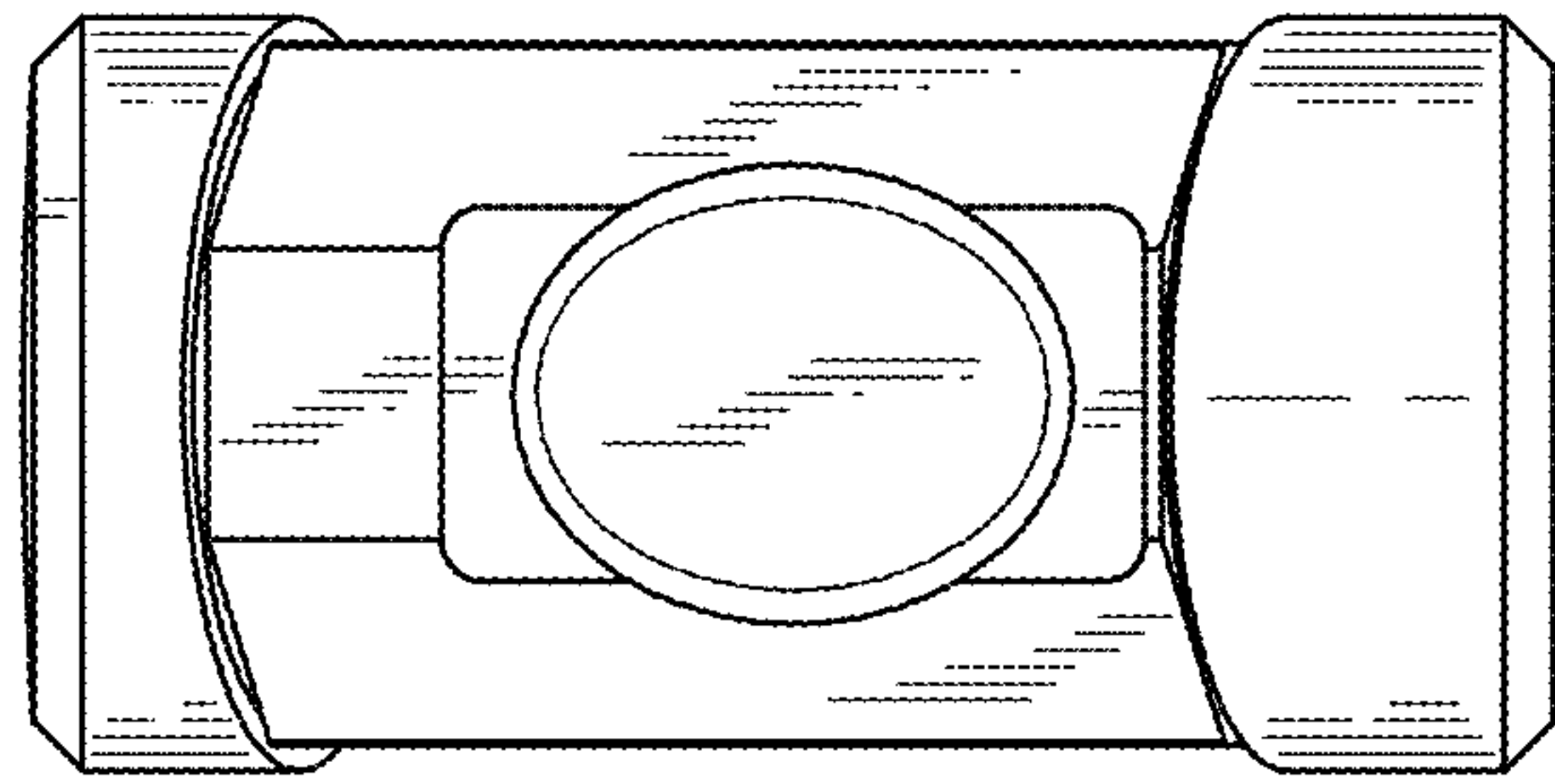


FIG. 5

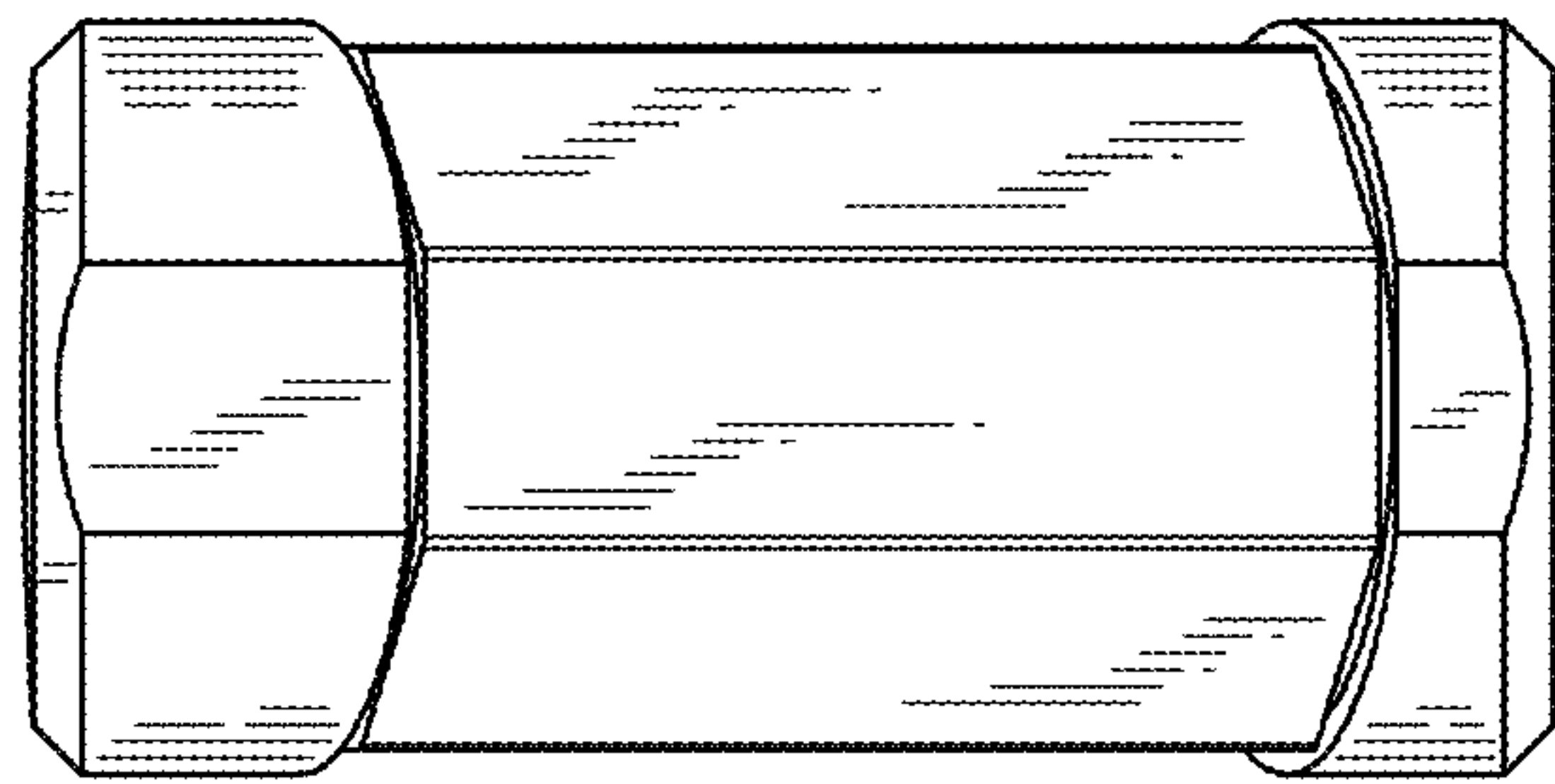


FIG. 4

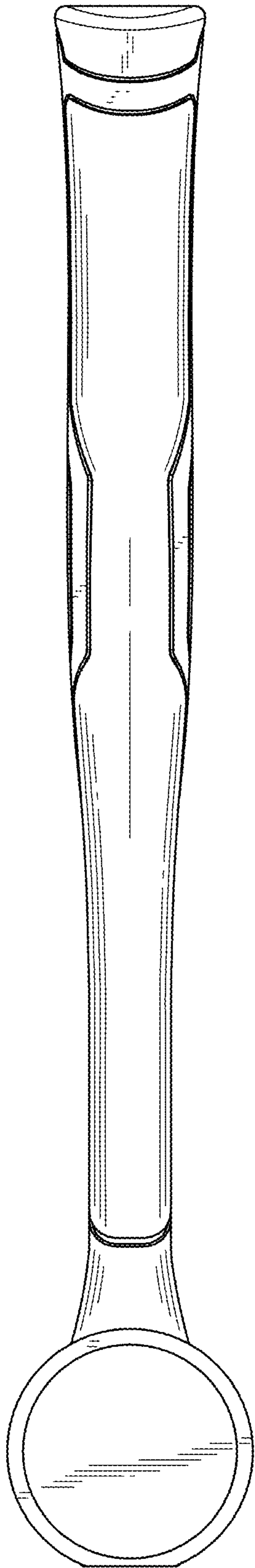


FIG. 6

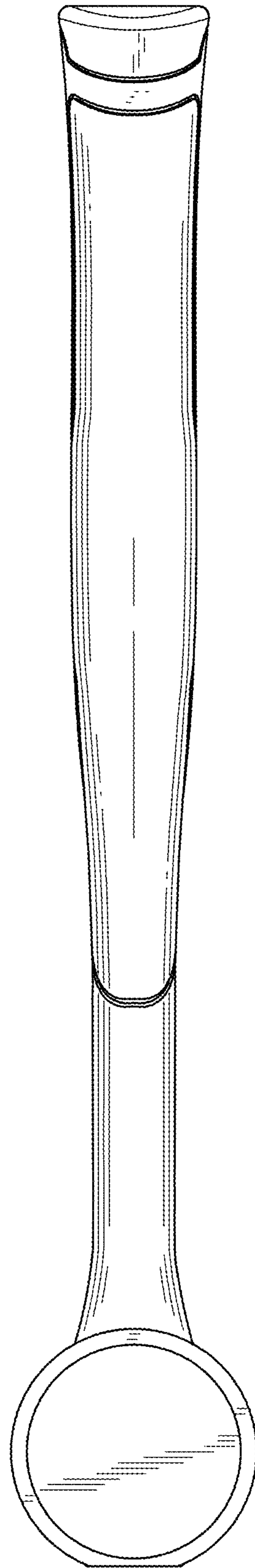


FIG. 7