



US00D778135S

(12) **United States Design Patent** (10) **Patent No.:** **US D778,135 S**
Blank et al. (45) **Date of Patent:** **** Feb. 7, 2017**

(54) **CLAMP APPARATUS** 5,149,029 A * 9/1992 Smith B23Q 1/48
248/124.2
(71) Applicant: **Robert Bosch GmbH**, Stuttgart (DE) D365,512 S * 12/1995 Mason D8/394
D398,504 S * 9/1998 Yamashita D8/72
(72) Inventors: **Kurt Blank**, Ebersbach (DE); **Frank Pelta**, Ostfildern (DE); **Daniel Strack**, Uchingen (DE); **Reinhard Hoss**, Plochingen, DE (US) D398,827 S * 9/1998 Vrillakas D8/71
D481,604 S * 11/2003 Woodruff D8/71
D582,744 S * 12/2008 Hansson D8/71
D640,113 S * 6/2011 Krohmer D8/71
D640,522 S * 6/2011 Livingston, Jr. D8/74
D673,830 S * 1/2013 Jones D8/74
(73) Assignee: **Robert Bosch GmbH**, Stuttgart (DE) 8,393,063 B2 * 3/2013 Hodges B25B 5/068
269/128
D736,584 S * 8/2015 Larson D8/71

(**) Term: **14 Years**

(21) Appl. No.: **29/500,615**

(22) Filed: **Aug. 27, 2014**

(30) **Foreign Application Priority Data**

Feb. 27, 2014 (EM) 002413930

(51) **LOC (10) Cl.** **08-05**

(52) **U.S. Cl.**
USPC **D8/72**

(58) **Field of Classification Search**

USPC D8/71-74, 394-399, 59; 248/63, 72, 248/74.1, 689, 124.2; 81/487, 385, 386, 81/388-390; 269/3, 4, 6, 143, 165, 240, 269/243, 246-249, 254 R, 147-149; 29/256, 257, 276; 408/103, 104-109
CPC B25B 1/00; B25B 5/00
See application file for complete search history.

(56) **References Cited**

U.S. PATENT DOCUMENTS

D263,113 S * 2/1982 Gehrke D22/149
D282,817 S * 3/1986 Johnson D15/144

* cited by examiner

Primary Examiner — David Muller

(74) *Attorney, Agent, or Firm* — Maginot, Moore & Beck LLP

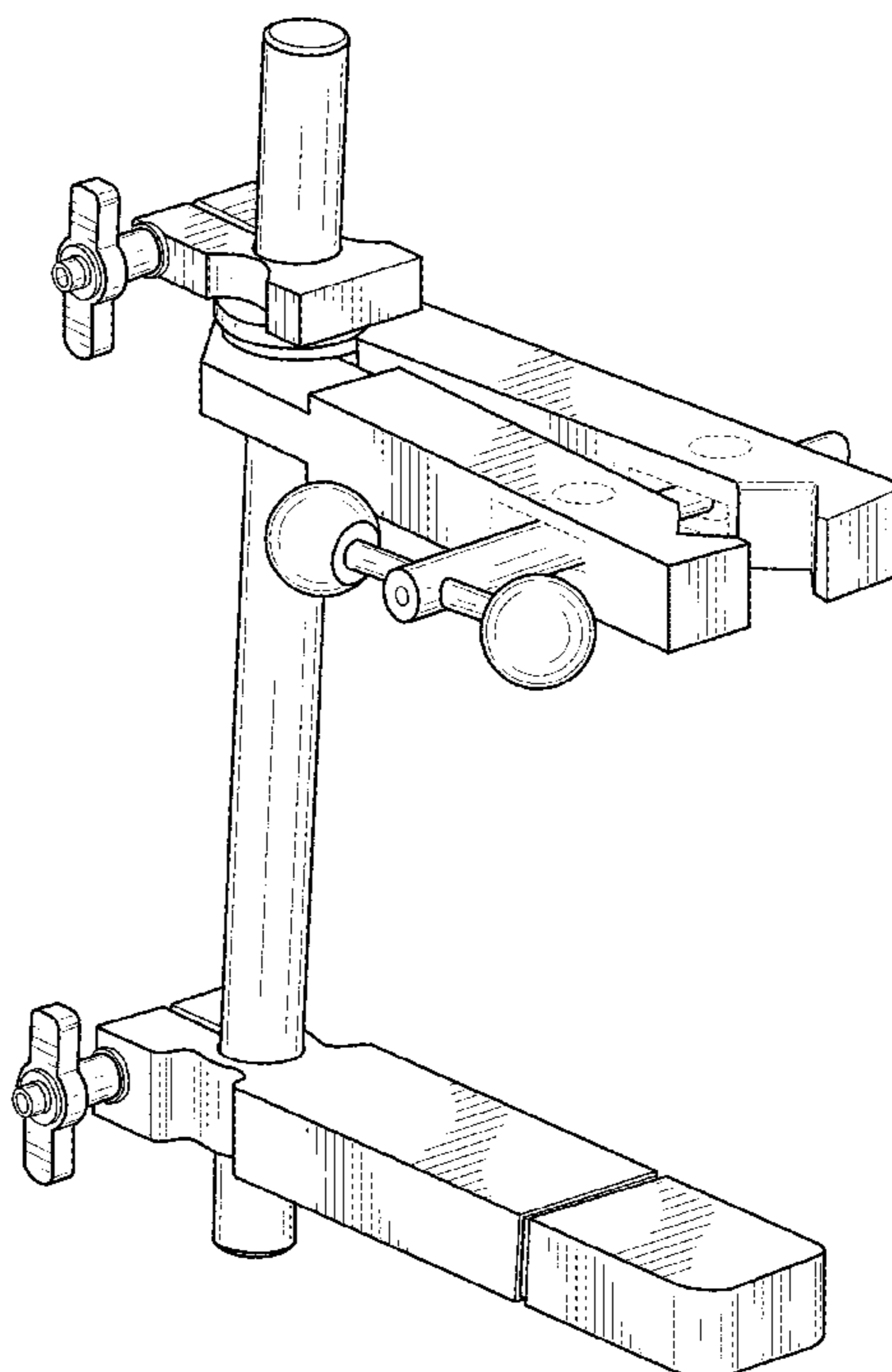
(57) **CLAIM**

The ornamental design for a clamp apparatus, as shown and described.

DESCRIPTION

FIG. 1 is a perspective view of a clamp apparatus showing our new design;
FIG. 2 is a left side elevational view thereof;
FIG. 3 is a right side elevational view thereof;
FIG. 4 is a front elevational view thereof;
FIG. 5 is a rear elevational view thereof;
FIG. 6 is a top plan view thereof; and,
FIG. 7 is a bottom plan view thereof.
The broken lines shown in the drawings illustrate portions of the clamp apparatus that form no part of the claimed design.

1 Claim, 7 Drawing Sheets



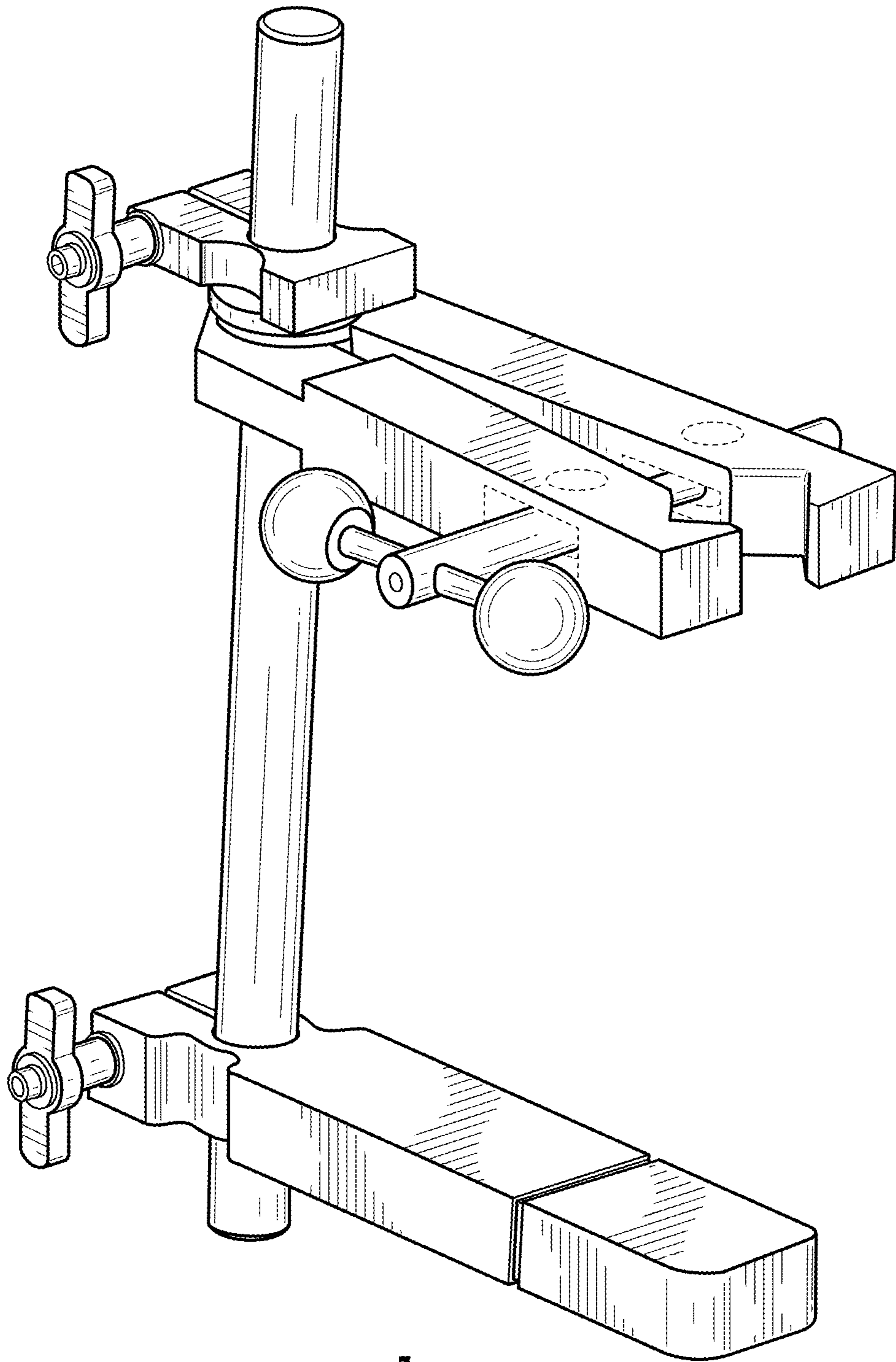


FIG. 1

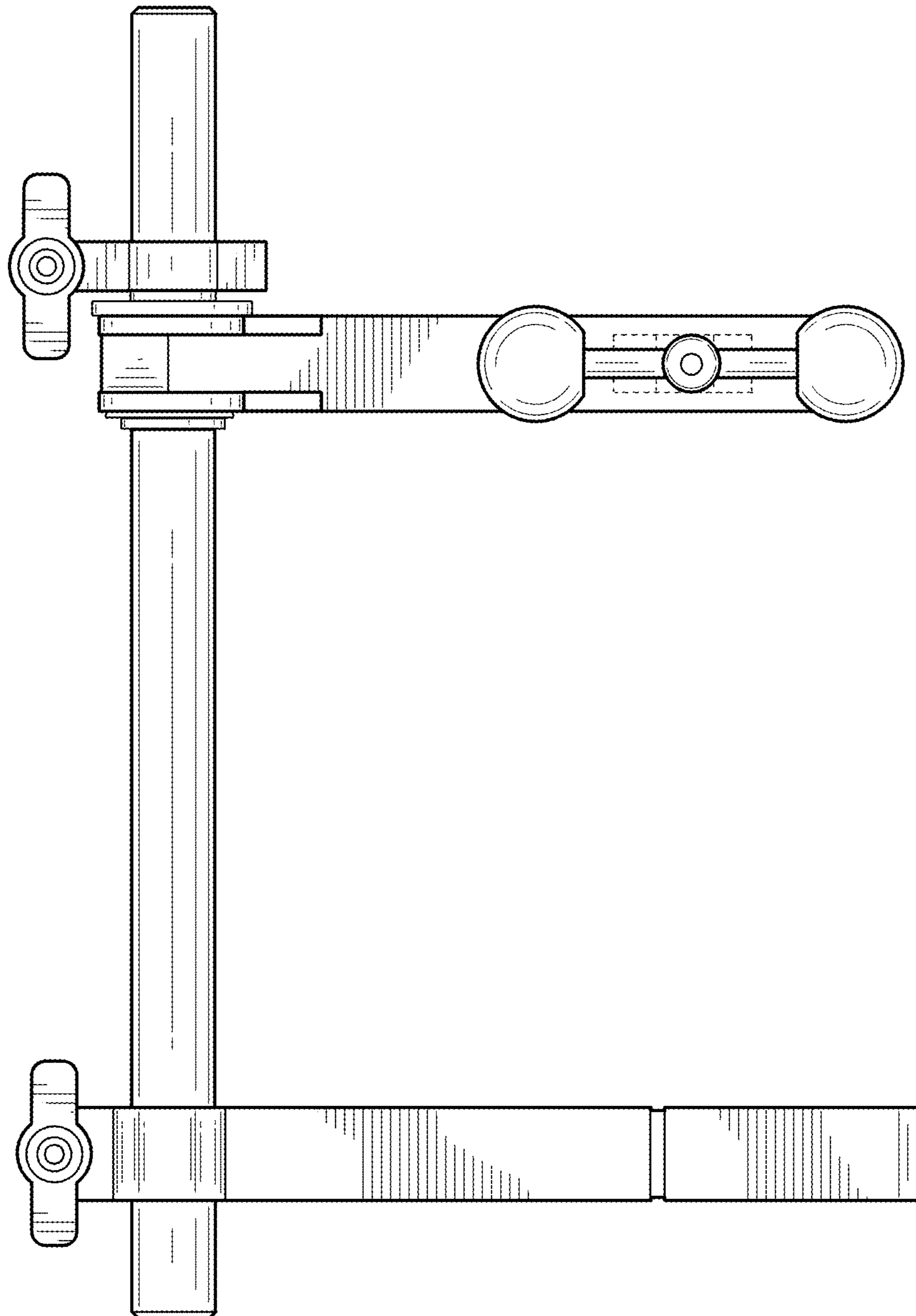


FIG. 2

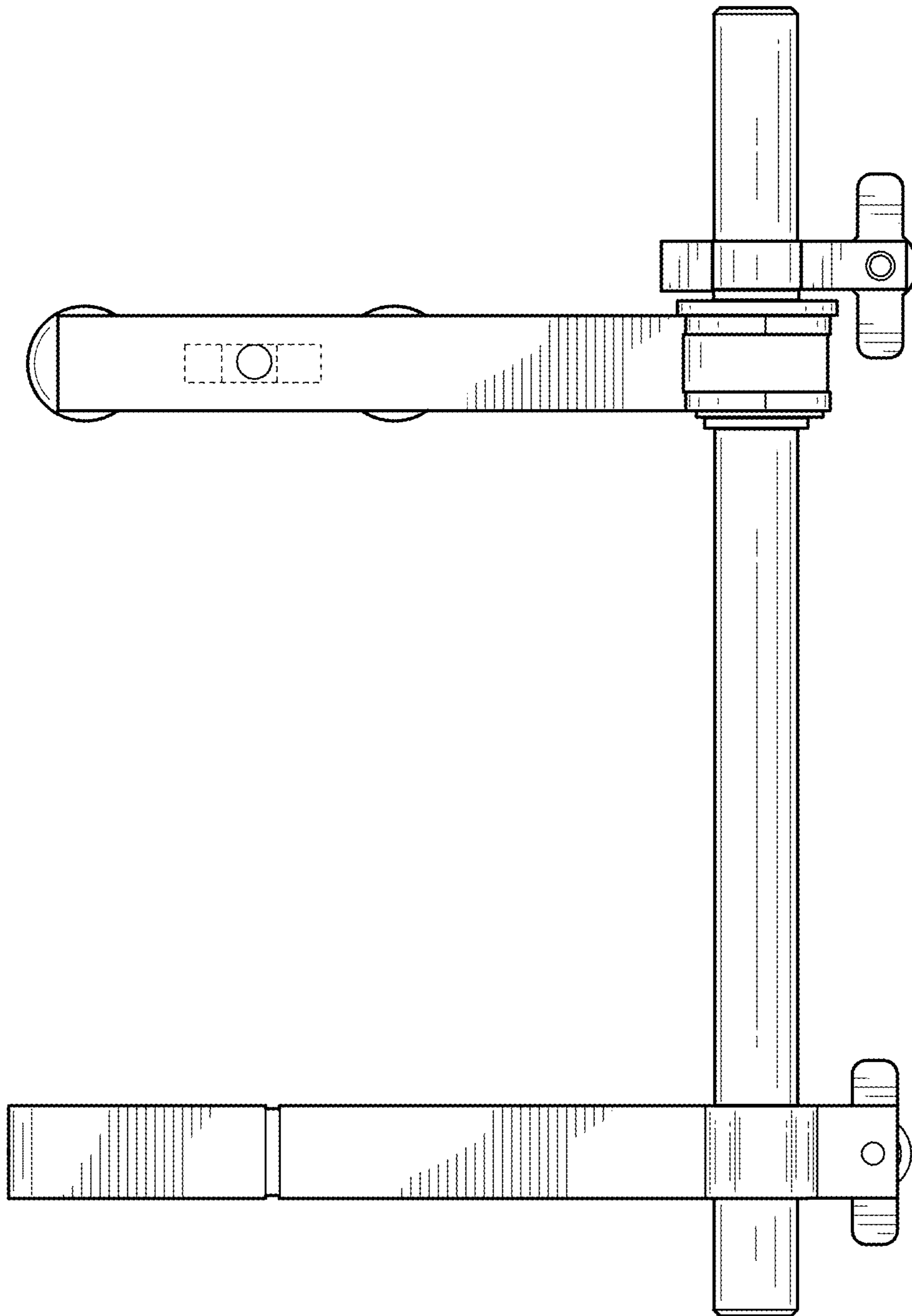


FIG. 3

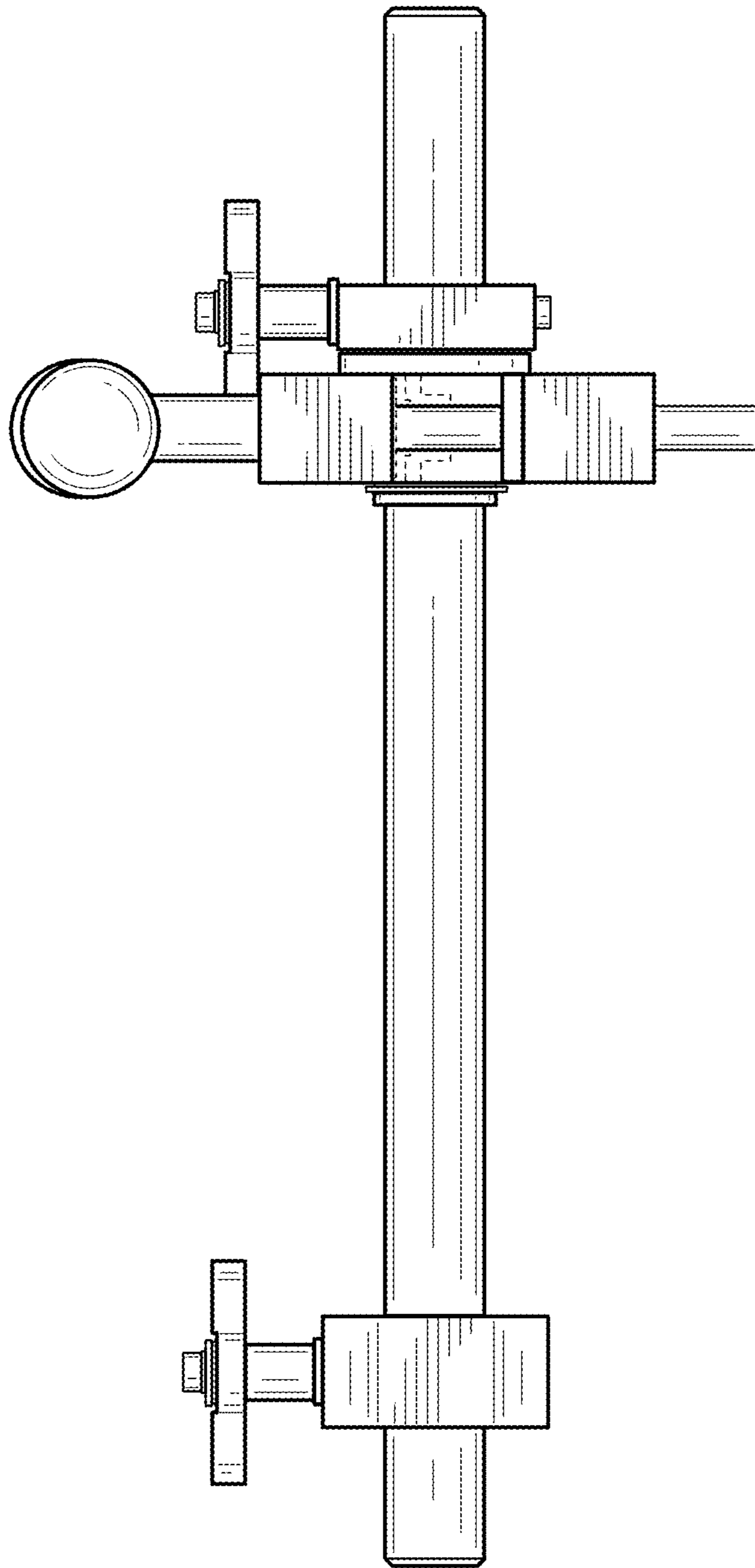


FIG. 4

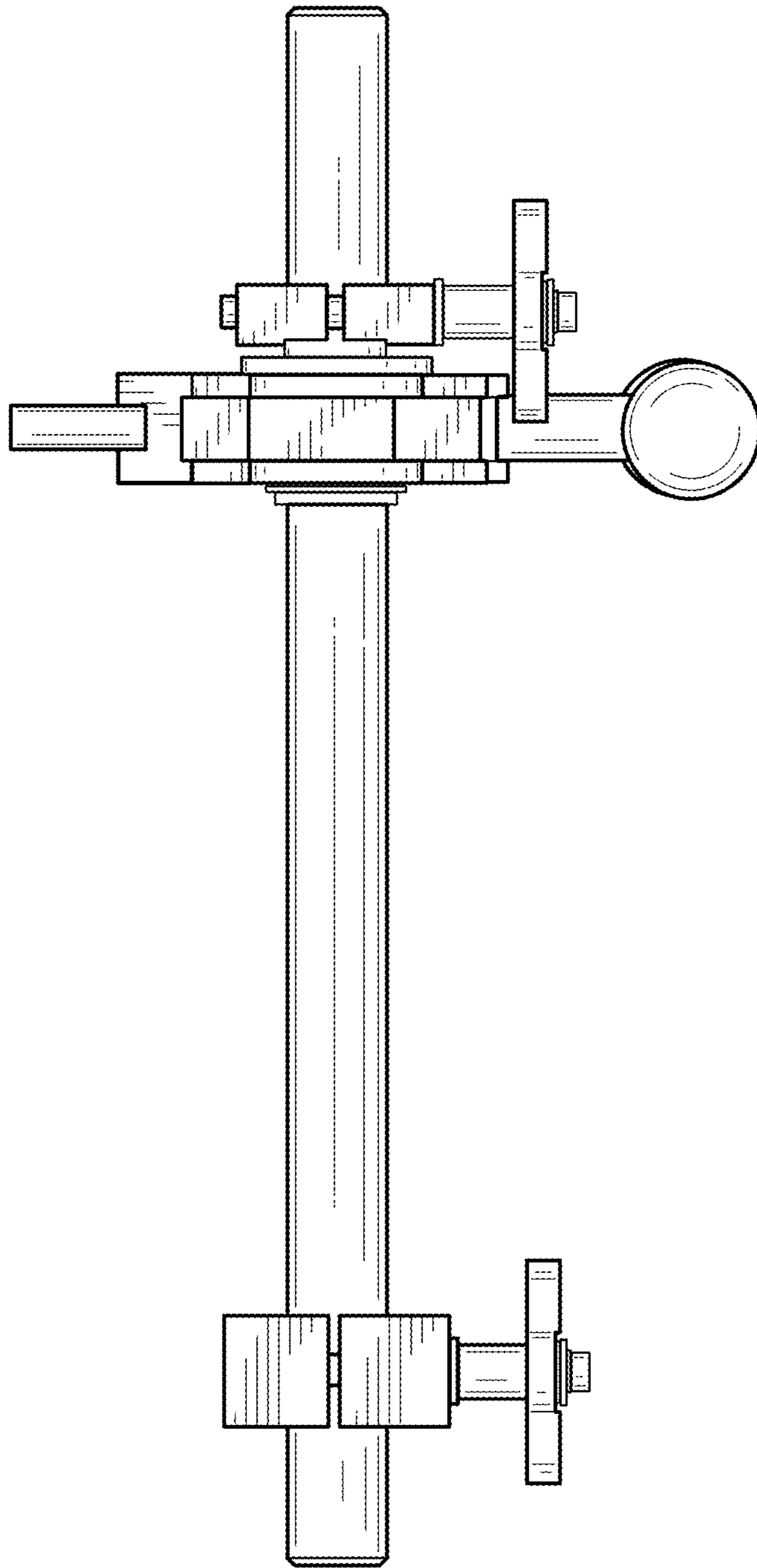


FIG. 5

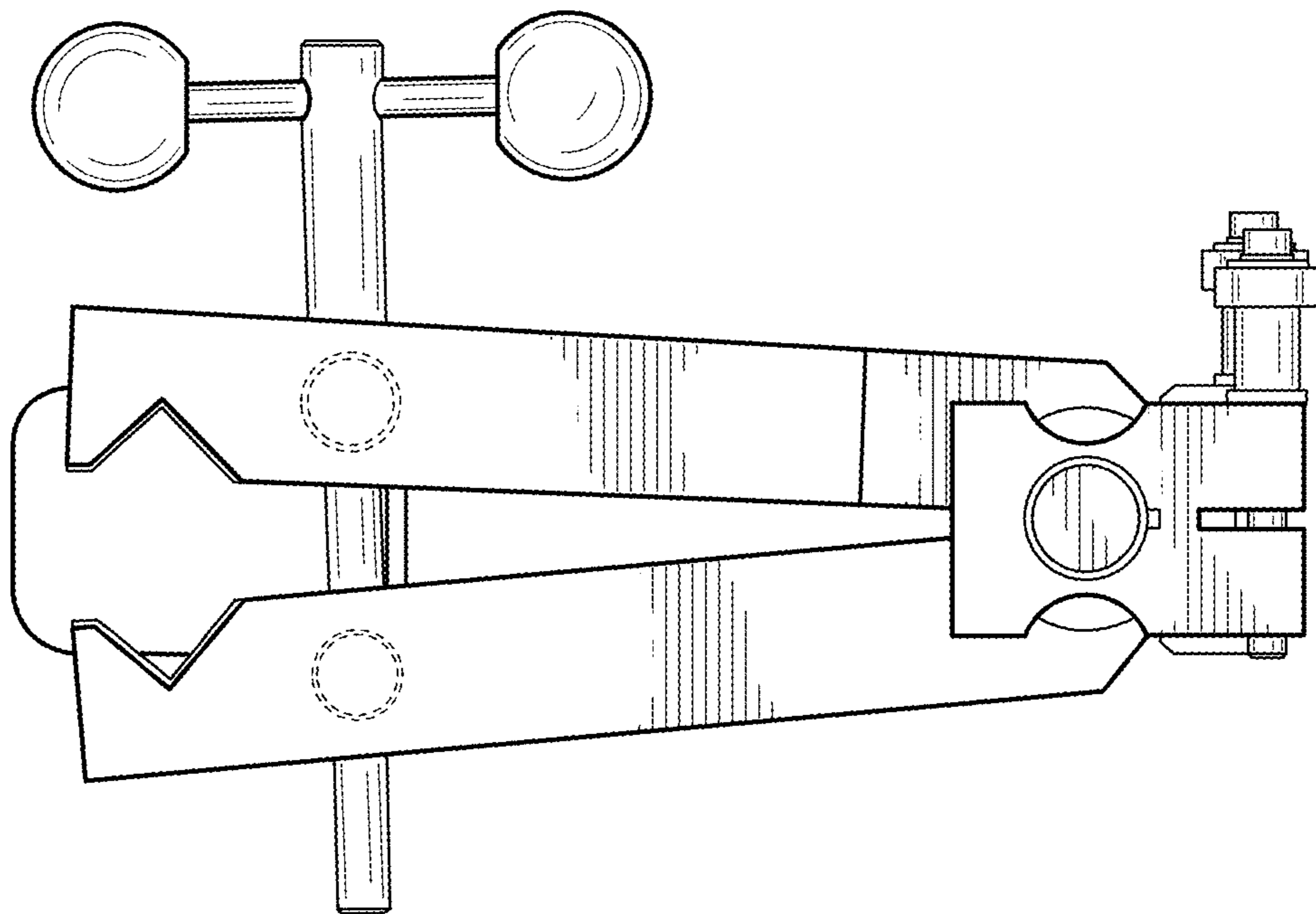


FIG. 6

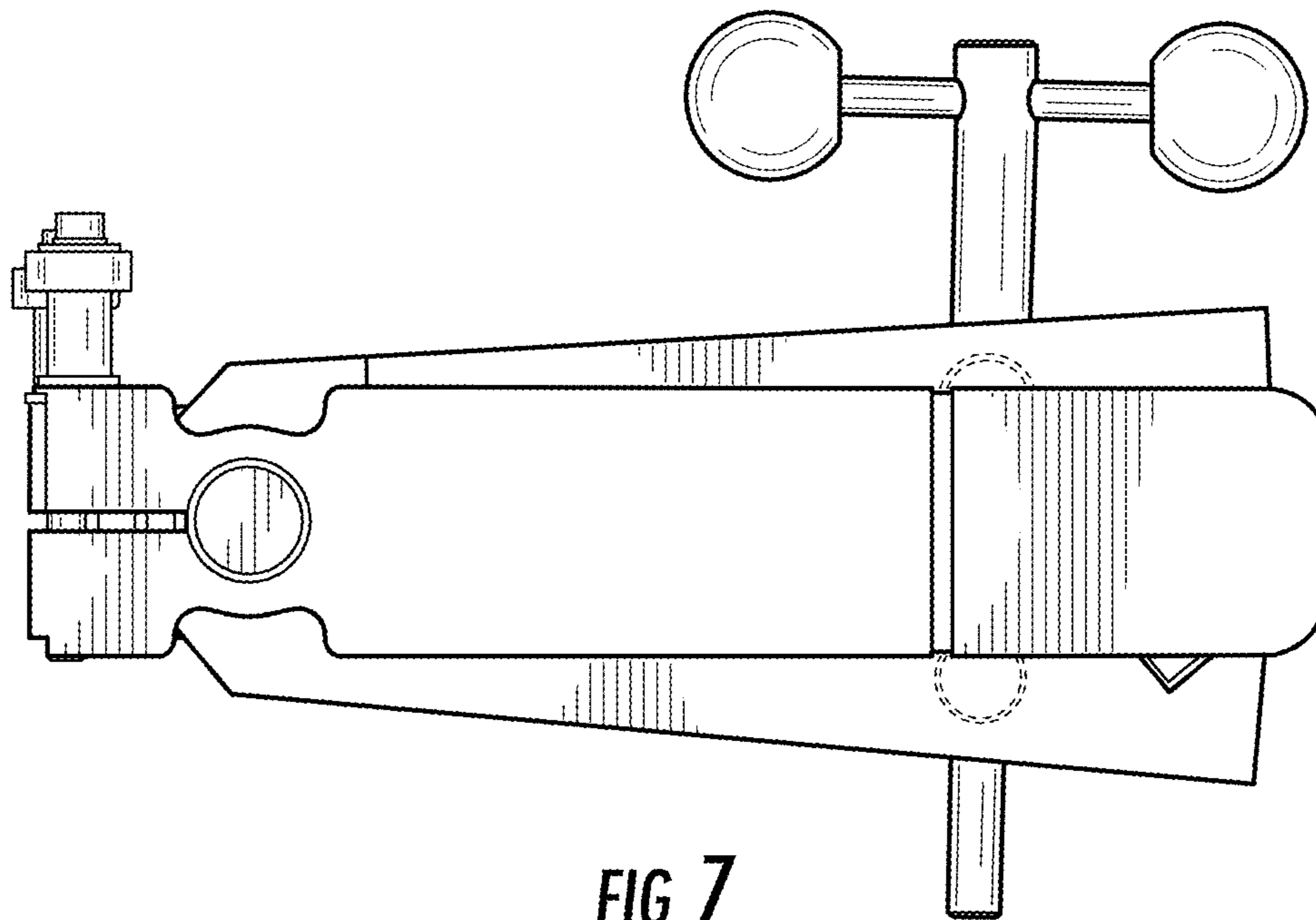


FIG. 7