



US00D778134S

(12) **United States Design Patent** (10) **Patent No.:** **US D778,134 S**
Mezzaqui (45) **Date of Patent:** **** *Feb. 7, 2017**

- (54) **INSERTION TOOL** 6,732,563 B1 * 5/2004 Chen B21J 15/043
29/243.53
- (71) Applicant: **Avdel UK Limited**, Hertfordshire (GB) 6,978,526 B1 * 12/2005 Lin B21J 15/105
29/243.523
- (72) Inventor: **Oriano Mezzaqui**, Bologna (IT) D515,377 S * 2/2006 Chung D8/68
D521,339 S * 5/2006 Chen D8/68
D521,340 S * 5/2006 Lin D8/68
- (73) Assignee: **Avdel UK Limited** (GB) 7,082,657 B1 * 8/2006 Lin B21J 15/043
29/243.523
- (*) Notice: This patent is subject to a terminal disclaimer. 7,284,404 B2 * 10/2007 Lin B25B 27/0014
29/243.525

(Continued)

(**) Term: **14 Years**

(21) Appl. No.: **29/520,369**

(22) Filed: **Mar. 13, 2015**

(30) **Foreign Application Priority Data**

- Oct. 20, 2014 (EM) 001423230
- (51) **LOC (10) Cl.** **08-03**
- (52) **U.S. Cl.**
USPC **D8/68**
- (58) **Field of Classification Search**
USPC ... D8/61, 67, 68; 81/57.4, 489; 173/48, 109,
173/170, 178, 217; 408/124, 125;
362/119; 475/149
CPC B21J 15/043; B21J 15/22; B21J 15/36;
B21J 15/326
See application file for complete search history.

(56) **References Cited**

U.S. PATENT DOCUMENTS

- D198,230 S * 5/1964 Babel D8/68
- D256,658 S * 9/1980 Ewig D8/61
- 4,571,976 A * 2/1986 Schwab B25B 27/0014
72/114
- 5,100,023 A * 3/1992 Varian B21J 15/32
221/239
- 6,276,037 B1 * 8/2001 Solfronk B21J 15/105
29/243.525
- D462,883 S * 9/2002 Steiner D8/68

OTHER PUBLICATIONS

“74200—High speed installation tool recommended for larger Avdel threaded inserts.” Avdel Global., Jun. 19, 2009 [online], [retrieved on Mar. 12, 2016]. Retrieved from the Internet <URL: <http://www.avdel-global.com/en/products/installation-equipment/threaded-inserts/74200.html>>.*

Primary Examiner — Philip S Hyder
Assistant Examiner — Darlington Ly
(74) *Attorney, Agent, or Firm* — Kofi Schulerbrandt;
Michael P. Leary

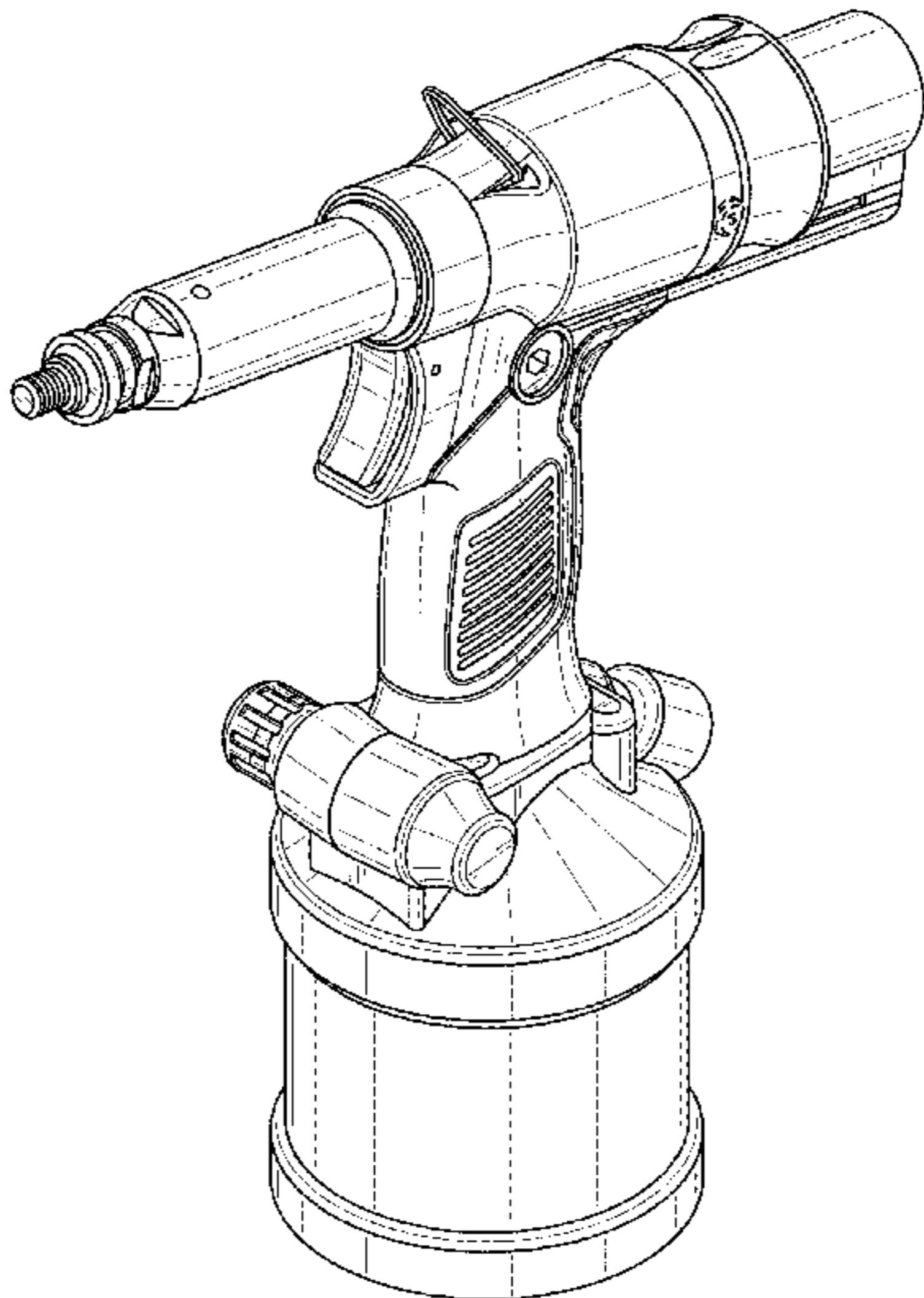
(57) **CLAIM**

The ornamental design for an insertion tool, as shown and described.

DESCRIPTION

FIG. 1 is top, front and right-side perspective view of an insertion tool showing my new design; FIG. 2 is a front elevation view thereof; FIG. 3 is a rear elevation view thereof; FIG. 4 is a left side elevation view thereof; FIG. 5 is a right side elevation view thereof; FIG. 6 is a top plan view thereof; and, FIG. 7 is a bottom plan view thereof. The broken lines in the drawings illustrate portions of the insertion tool that forms no part of the claimed design.

1 Claim, 7 Drawing Sheets



(56)

References Cited

U.S. PATENT DOCUMENTS

7,818,858 B2 * 10/2010 Daniels F16G 3/16
198/844.2
D681,413 S * 5/2013 Kita D8/61
8,443,512 B2 * 5/2013 Masugata B21J 15/043
29/243.521

* cited by examiner

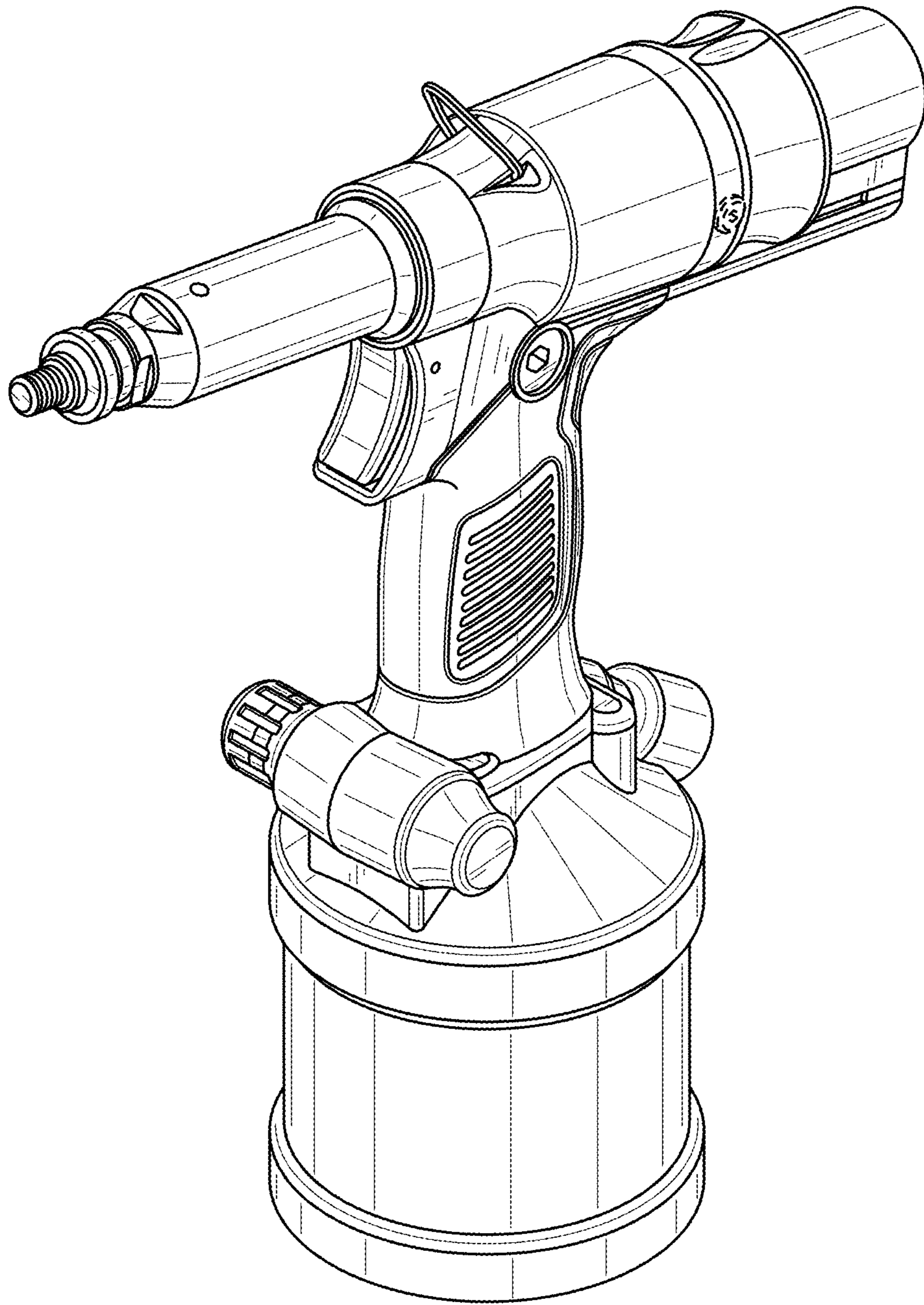


FIG. 1

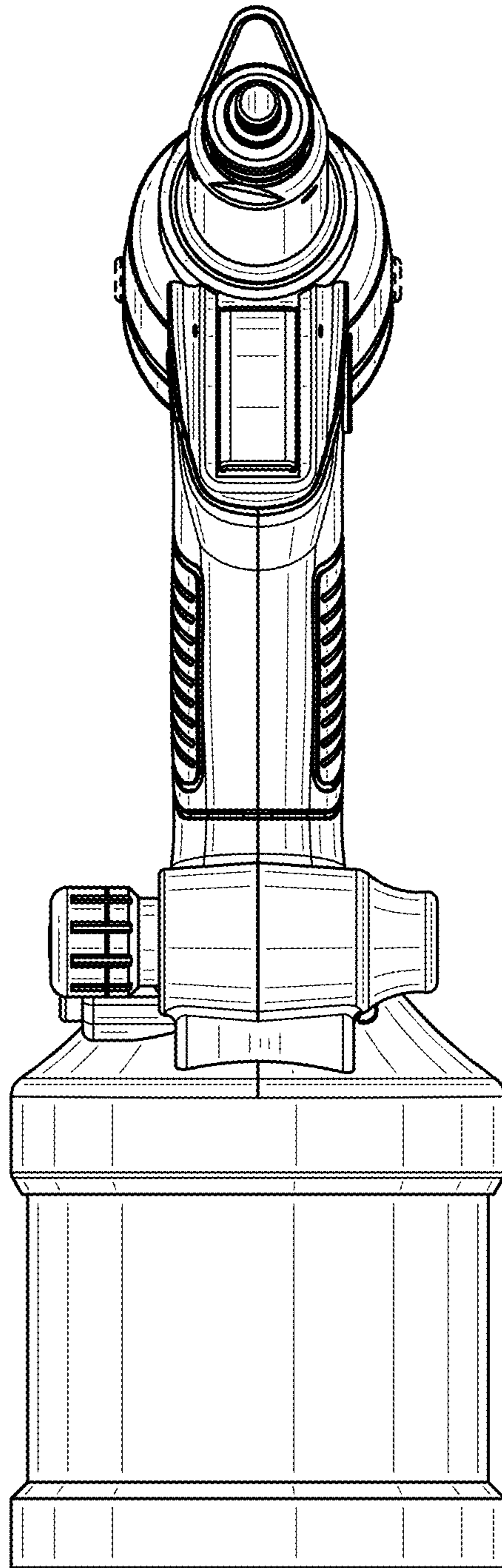


FIG. 2

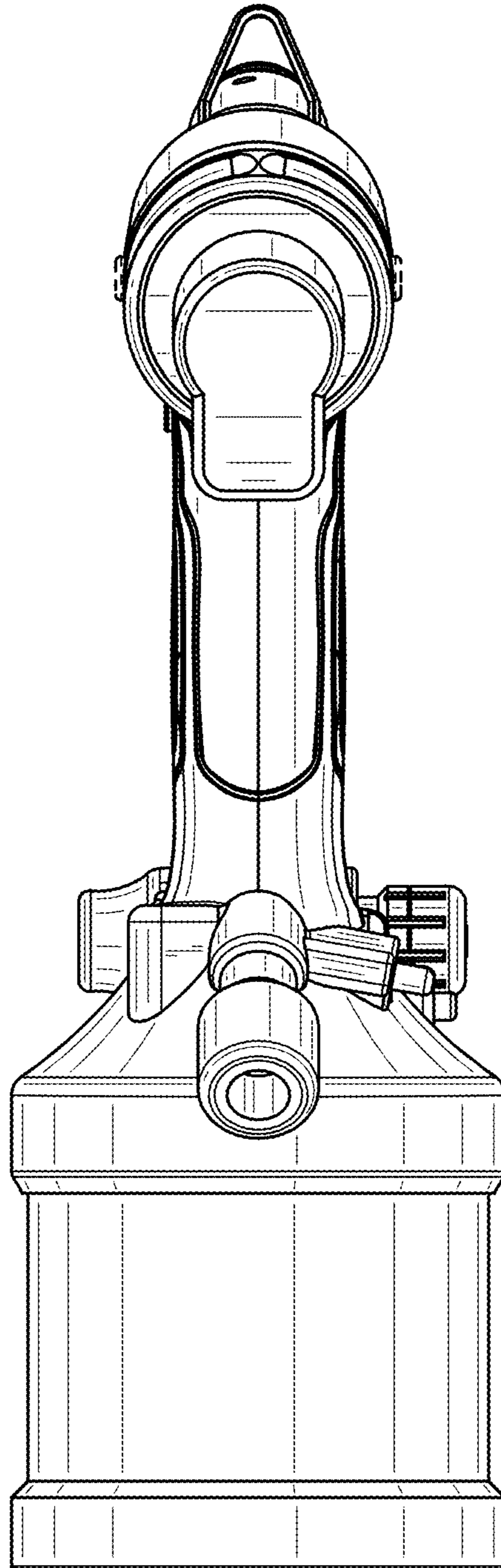


FIG. 3

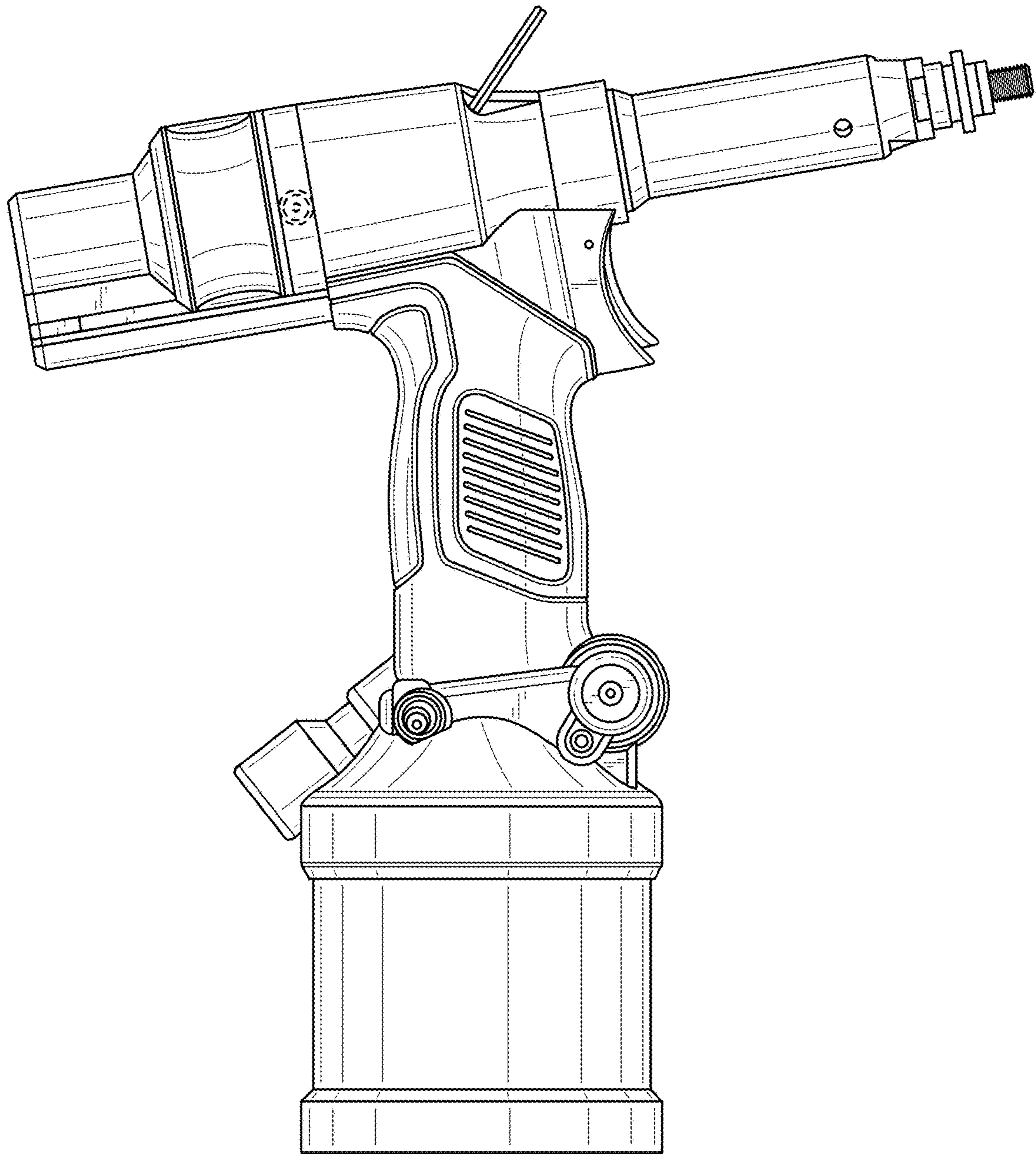


FIG. 4

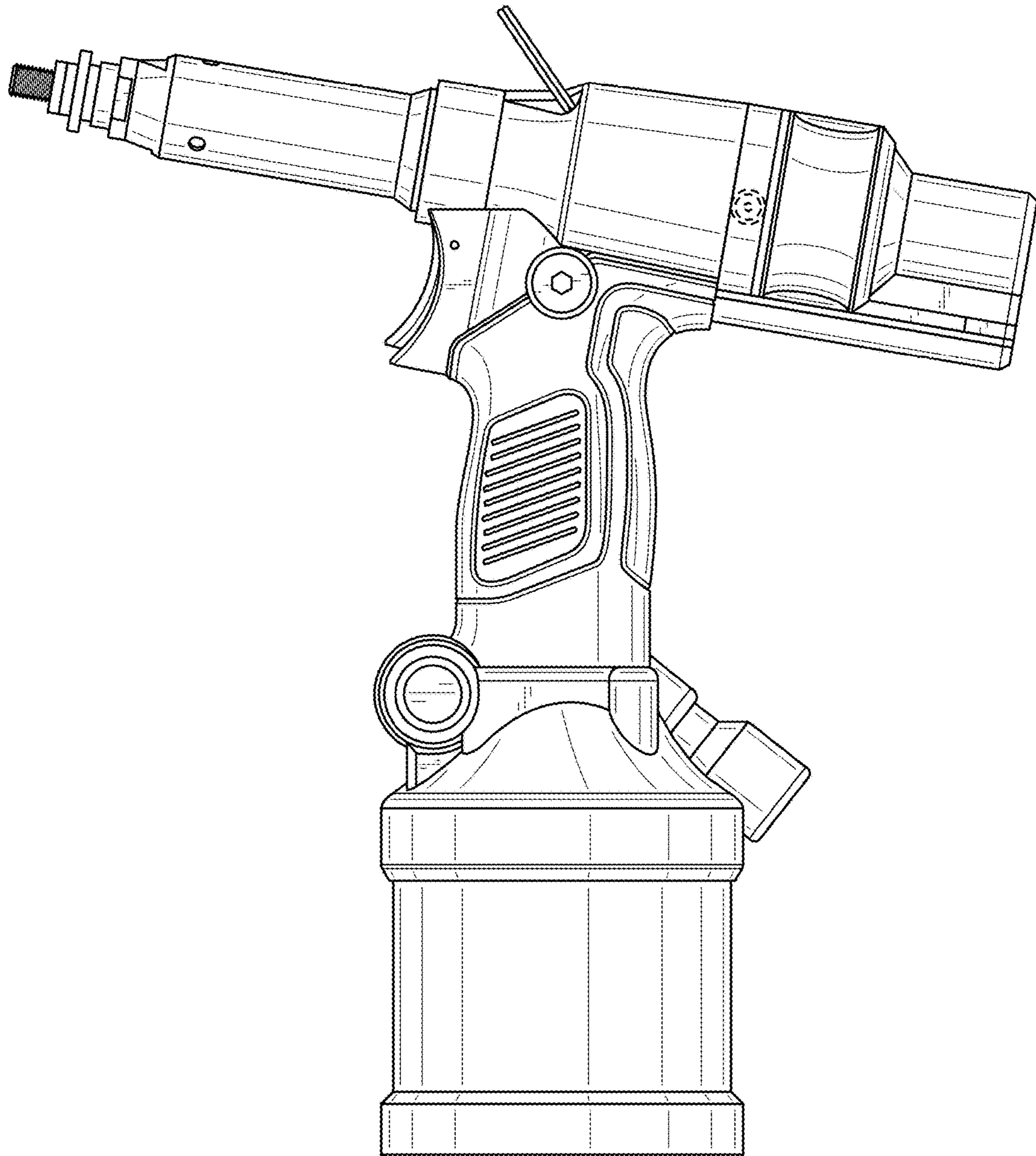


FIG. 5

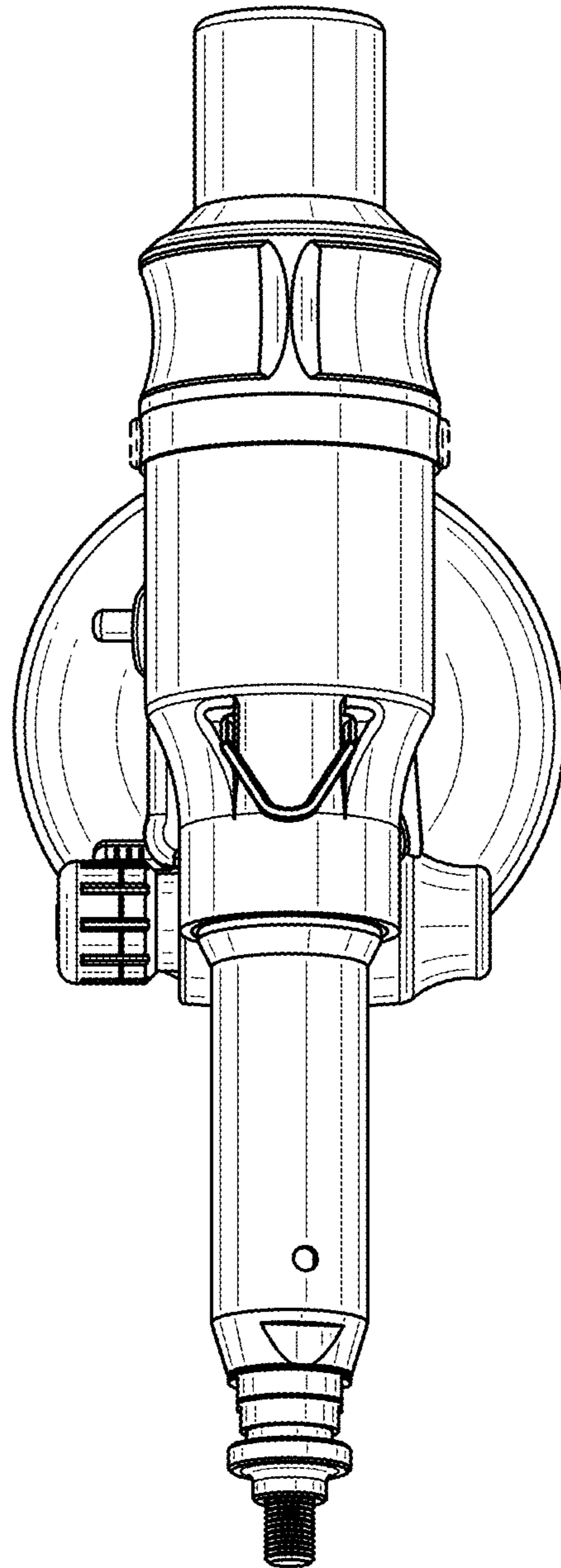


FIG. 6

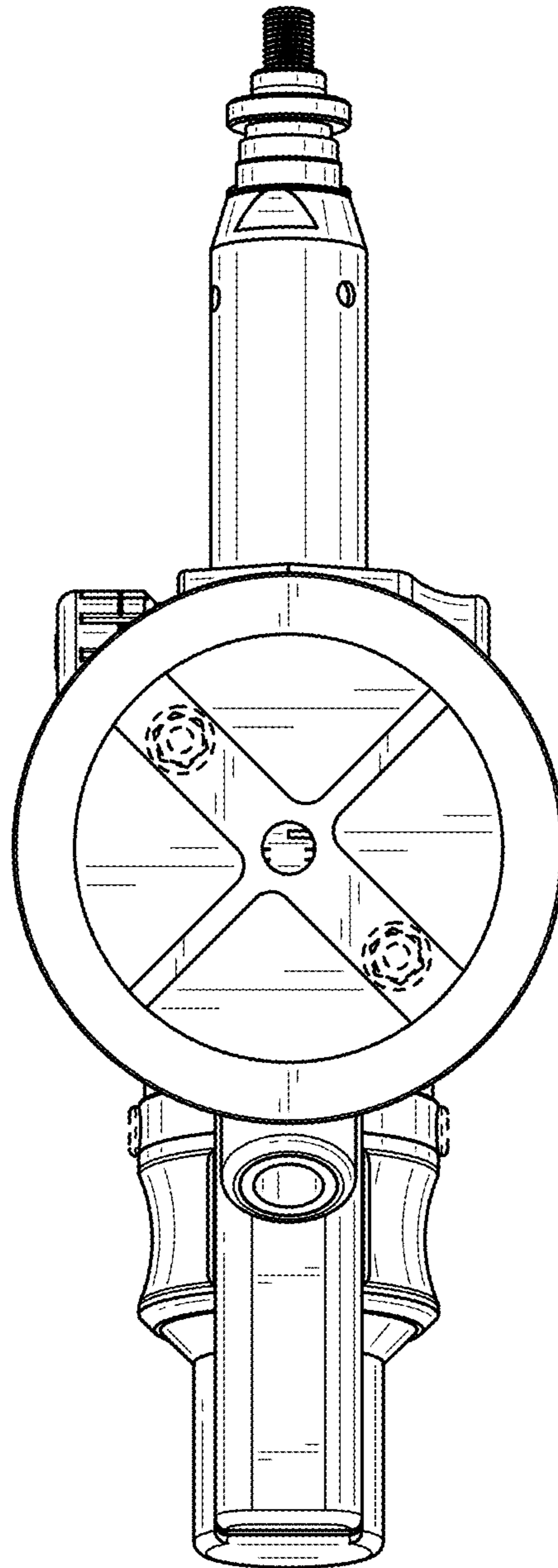


FIG. 7