



US00D778133S

(12) **United States Design Patent** (10) **Patent No.:** **US D778,133 S**
Steiner et al. (45) **Date of Patent:** **** Feb. 7, 2017**

(54) **TOOL**
(71) Applicant: **Oetiker Tool Corporation**, Branford, CT (US)
(72) Inventors: **Richard Steiner**, East Hadam, CT (US); **Charles Gargano**, Guilford, CT (US)
(73) Assignee: **OETIKER TOOL CORPORATION**, Branford, CT (US)
(**) Term: **15 Years**
(21) Appl. No.: **29/532,593**
(22) Filed: **Jul. 8, 2015**
(51) **LOC (10) Cl.** **08-05**
(52) **U.S. Cl.**
USPC **D8/52**
(58) **Field of Classification Search**
USPC D8/4, 5, 51-60
CPC Y10T 29/53226; Y10T 29/53235;
Y10T 29/53257; Y10T 29/53213; Y10T 29/53222
See application file for complete search history.

5,109,591 A * 5/1992 Hung B25B 7/22
29/33 M
5,992,002 A * 11/1999 Hung H01R 43/0421
29/33 M
6,173,466 B1 * 1/2001 Chen B25B 27/146
29/33 M
D455,325 S * 4/2002 Steiner D8/51
6,427,275 B1 8/2002 Hung
6,948,234 B1 9/2005 Steiner
7,210,327 B1 5/2007 Tarpill et al.
D693,196 S * 11/2013 Hutchfield D8/51
D693,197 S * 11/2013 Hutchfield D8/51
D693,198 S * 11/2013 Hutchfield D8/51
D703,506 S 4/2014 Steiner et al.
8,904,647 B2 12/2014 Steiner et al.
D740,095 S * 10/2015 Battenfeld D8/52
D759,452 S * 6/2016 Persson D8/52

* cited by examiner

Primary Examiner — Deanna L Pratt
(74) *Attorney, Agent, or Firm* — Cantor Colburn LLP

(57) **CLAIM**

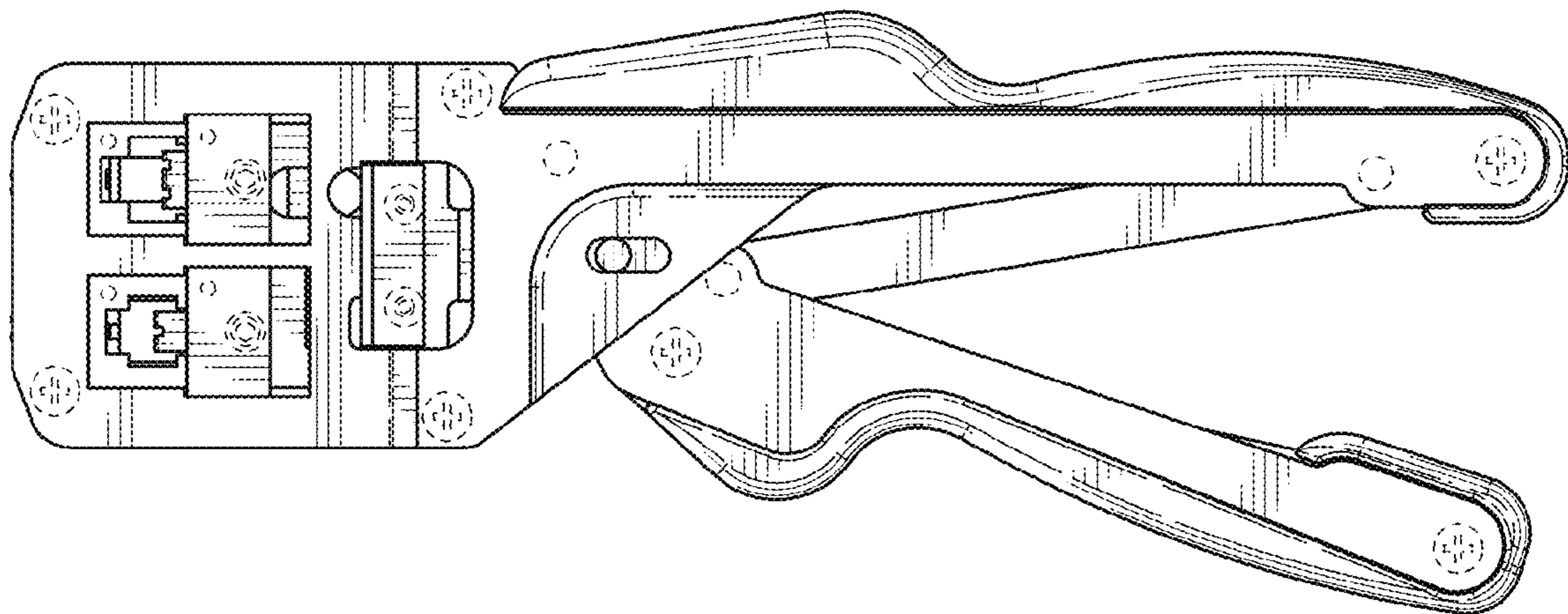
We claim, the ornamental design for a tool, as shown and described.

DESCRIPTION

FIG. 1 is a perspective view of an embodiment of the invention;
FIG. 2 is a top view of the embodiment of FIG. 1;
FIG. 3 is a bottom view of the embodiment of FIG. 1;
FIG. 4 is a first end view of the embodiment of FIG. 1;
FIG. 5 is a second end view of the embodiment of FIG. 1;
FIG. 6 is a first side view of the embodiment of FIG. 1; and,
FIG. 7 is a second side view of the embodiment of FIG. 1.
The phantom lines shown in FIG. 1-FIG. 7 illustrate portions of tool that form no part of the claimed design.

1 Claim, 3 Drawing Sheets

(56) **References Cited**
U.S. PATENT DOCUMENTS
4,480,374 A * 11/1984 Meyer H01R 43/015
29/33 M
D278,876 S * 5/1985 Meyer D8/52
4,862,580 A * 9/1989 Wang B25B 27/146
29/270
D303,917 S * 10/1989 Hatfield D8/25
4,932,091 A 6/1990 Krzyzanski
5,105,648 A 4/1992 Steiner et al.



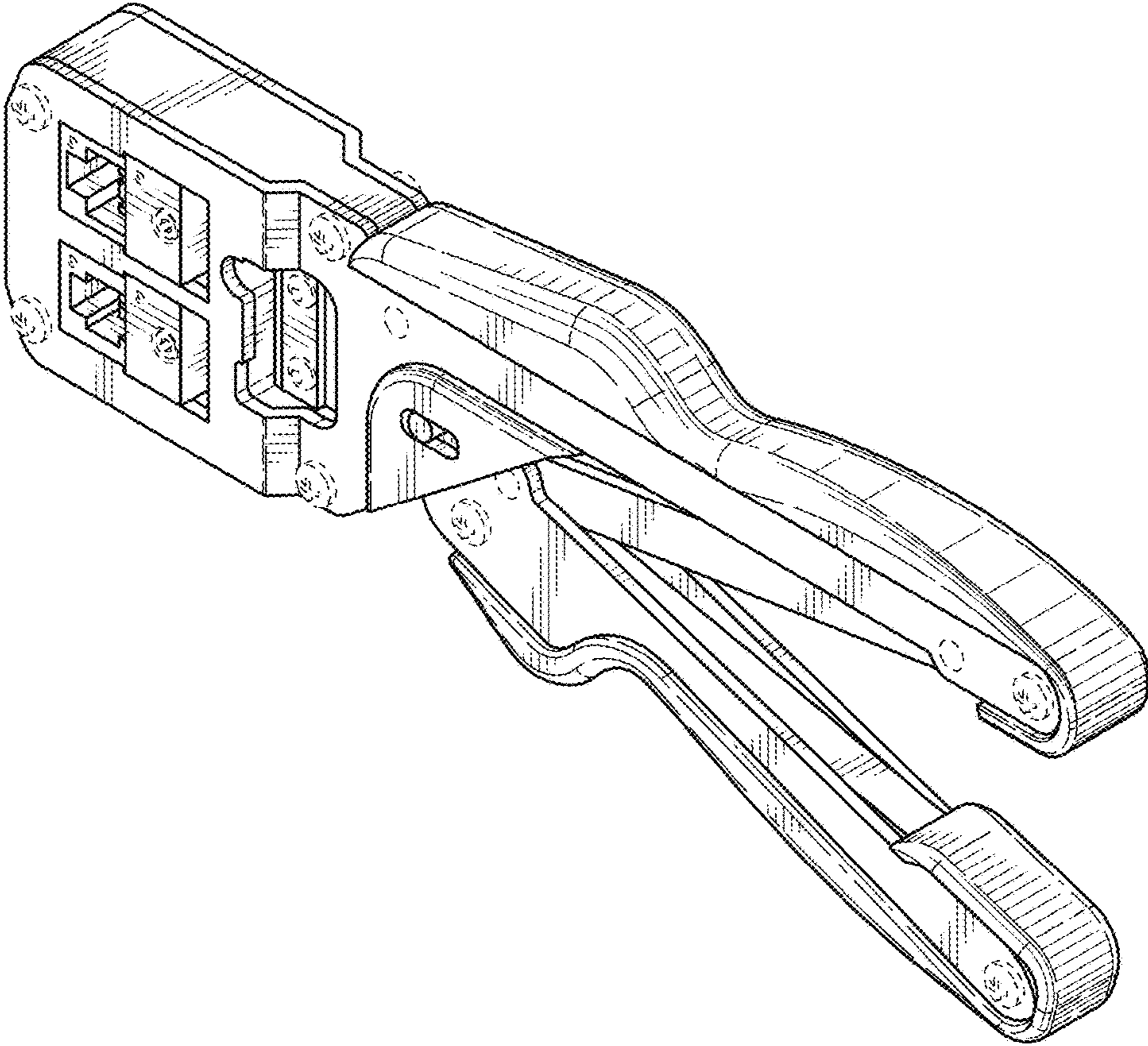


FIG. 1

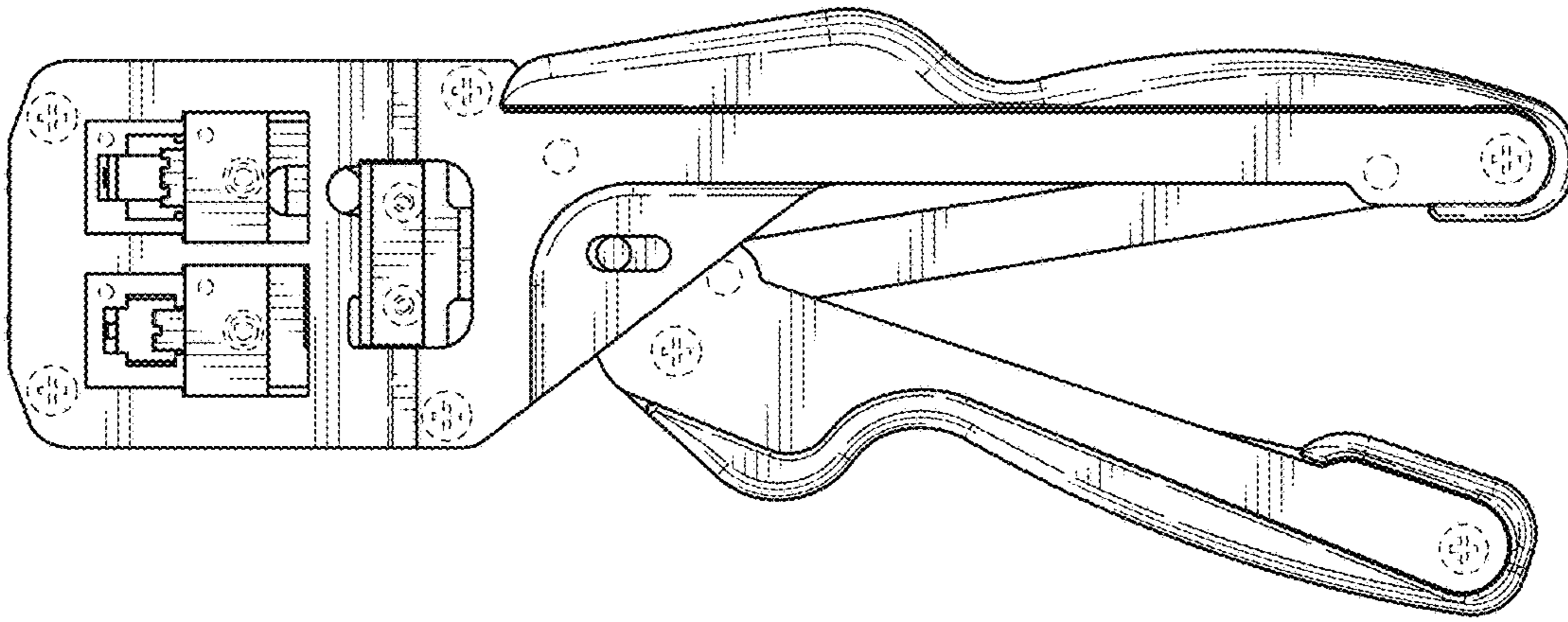


FIG. 2

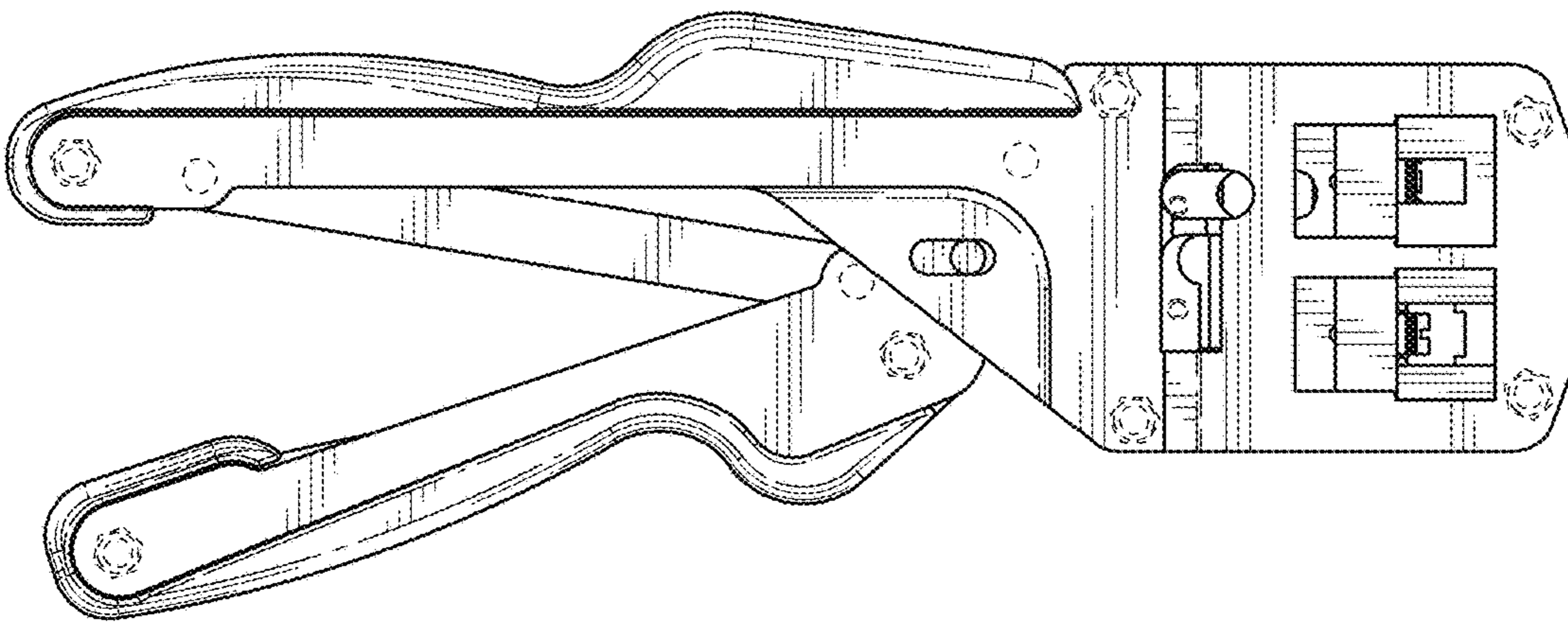


FIG. 3

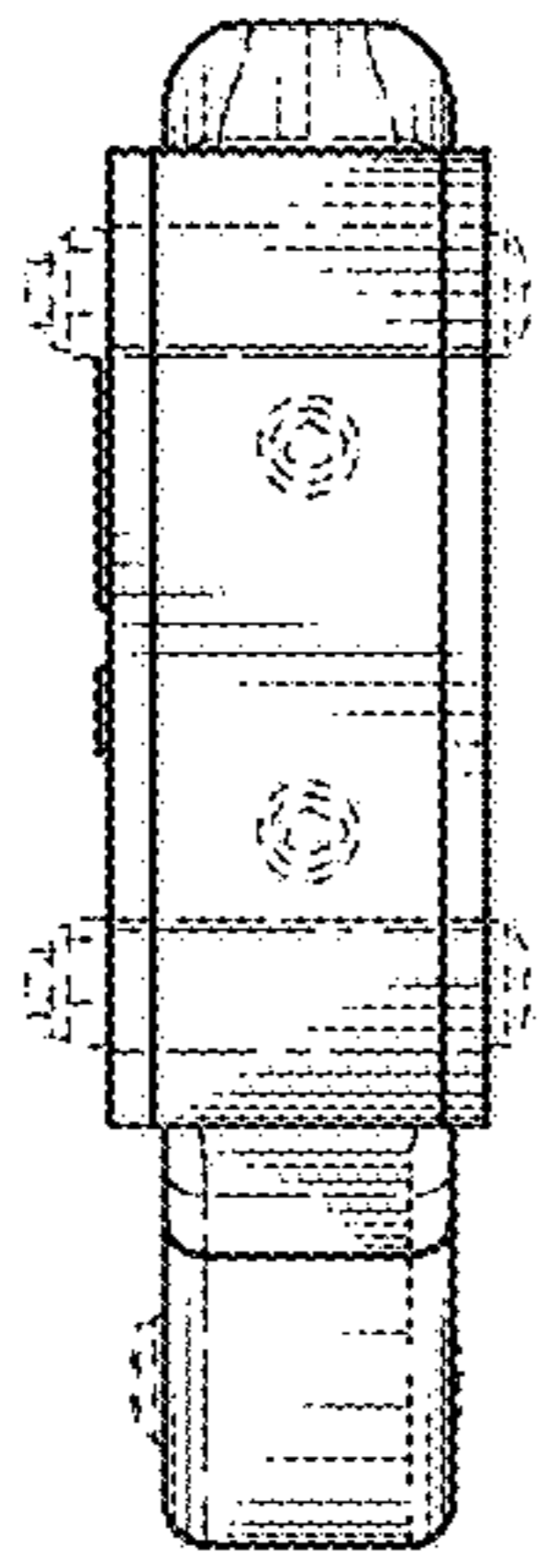


FIG. 4

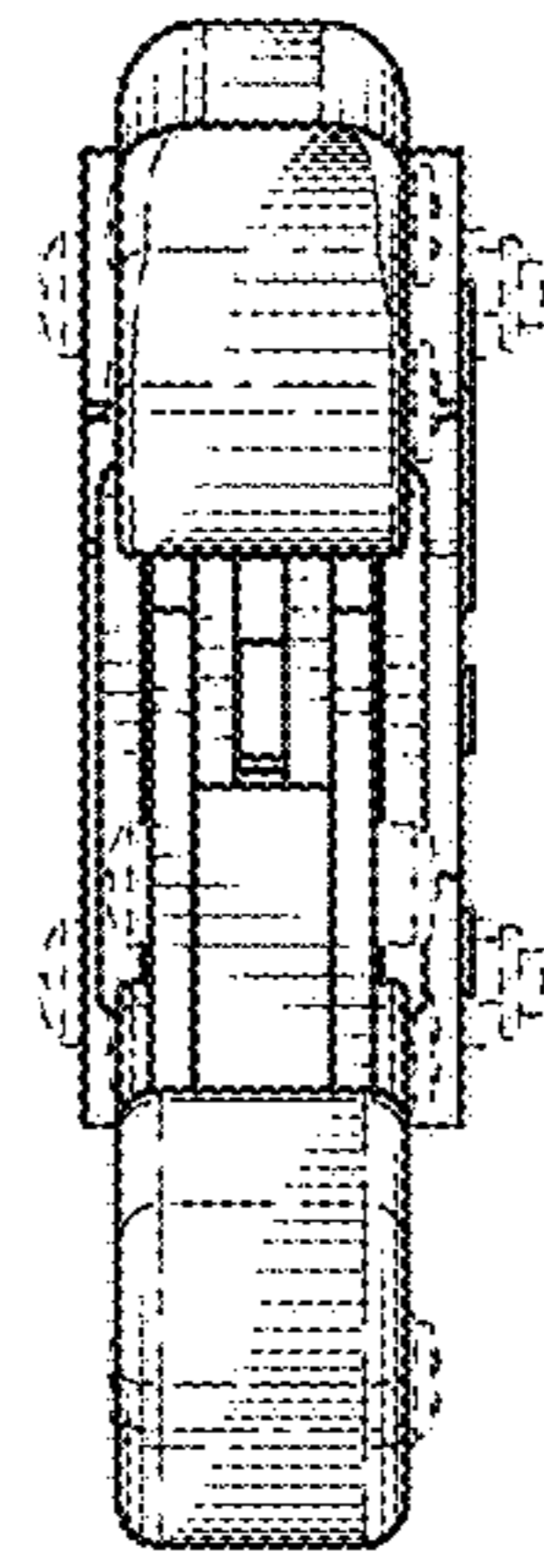


FIG. 5

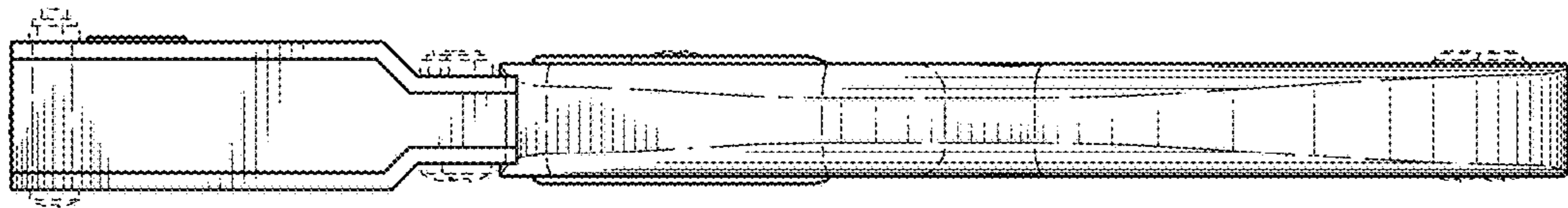


FIG. 6

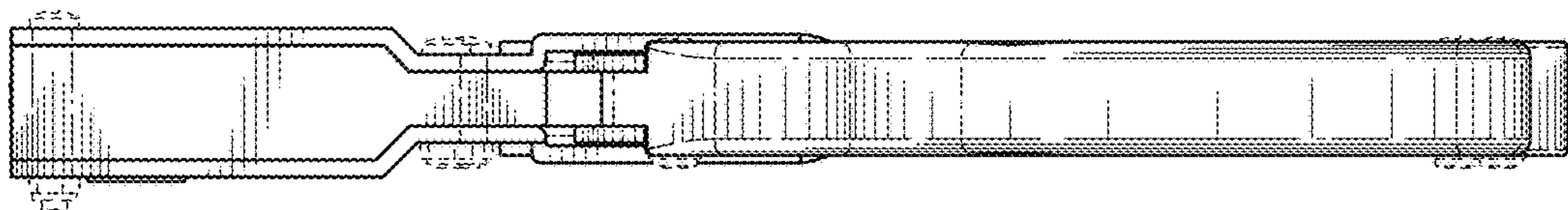


FIG. 7