



US00D778131S

(12) **United States Design Patent** (10) **Patent No.:** **US D778,131 S**
Kalbach (45) **Date of Patent:** **** Feb. 7, 2017**

(54) **FUNNEL**

(71) Applicant: **EK Ekcessories, Inc.**, Logan, UT (US)

(72) Inventor: **Edward Van Lee Kalbach**, Nibley, UT (US)

(73) Assignee: **EK Ekcessories, Inc.**, Logan, UT (US)

(**) Term: **14 Years**

(21) Appl. No.: **29/498,349**

(22) Filed: **Aug. 1, 2014**

(51) **LOC (10) Cl.** **07-99**

(52) **U.S. Cl.**
USPC **D7/700**

(58) **Field of Classification Search**

USPC D7/700, 354, 356, 357, 361, 368, 396.2, D7/667, 400, 409, 543, 523, 510, 512, D7/629, 668, 669, 691, 589, 412, 415; D9/436, 434, 435, 503, 536; D10/46.2; D14/208; D15/150, 152; D23/200; D24/121, 122, 123; D30/129, 132, 162
CPC A61F 5/4556; A61F 5/4553; A61F 5/455; A61F 5/451; A61F 5/44; A61F 5/453; B01D 23/28; B01D 23/00; B01D 23/005; B01D 23/10; B01D 23/20; B01D 29/00; B01D 29/0002; B01D 29/0093; B01D 29/0095; B01D 29/0097; B01D 29/085; B01D 29/11; B01D 29/112; B01D 29/114; B01D 29/117; B01D 29/13; B01D 29/31; B01D 29/115; B01D 29/118; B01D 29/15; B01D 29/23; B01D 29/33; B01D 29/35; B65B 39/00; B65B 39/04; B65B 39/001; B65B 39/06; B65B 39/12; B65B 39/14; F16N 31/00; B67C 2011/00; B67C 2011/02; B67C 2011/20; B67C 2011/30; B67C 2011/40; B67C 2011/022; B67C 2011/027
See application file for complete search history.

(56) **References Cited**

U.S. PATENT DOCUMENTS

877,322	A *	1/1908	Gebler	B65D 25/42 222/566
D327,847	S *	7/1992	Willems	D9/434
5,148,842	A *	9/1992	Boust	B67C 11/02 141/333
D337,244	S *	7/1993	Kilham	294/176
D426,283	S *	6/2000	Hernandez, Jr.	D23/200
D533,189	S *	12/2006	Bender	D15/5
D591,771	S *	5/2009	Jarrah	D15/7
D627,369	S *	11/2010	Troxell	D15/5
D662,654	S *	6/2012	Trudnowski	D27/167
D716,112	S *	10/2014	Cranstoun	D7/700
D738,847	S *	9/2015	Park	D14/188

OTHER PUBLICATIONS

<https://vimeo.com/103864971>—Published Aug. 19, 2014 at 8:51 PM EST.*

<http://ekusa.com/product/ice-shoot/>—Downloaded Apr. 12, 2016.*

* cited by examiner

Primary Examiner — Manpreet Matharu

Assistant Examiner — Mojtaba Tehrani

(74) *Attorney, Agent, or Firm* — TraskBritt

(57) **CLAIM**

The ornamental design for a funnel, as shown and described.

DESCRIPTION

FIG. 1 is a perspective view of a funnel showing my new design;

FIG. 2 is another perspective view thereof;

FIG. 3 is a first side view thereof;

FIG. 4 is a second side view thereof;

FIG. 5 is a third side view thereof;

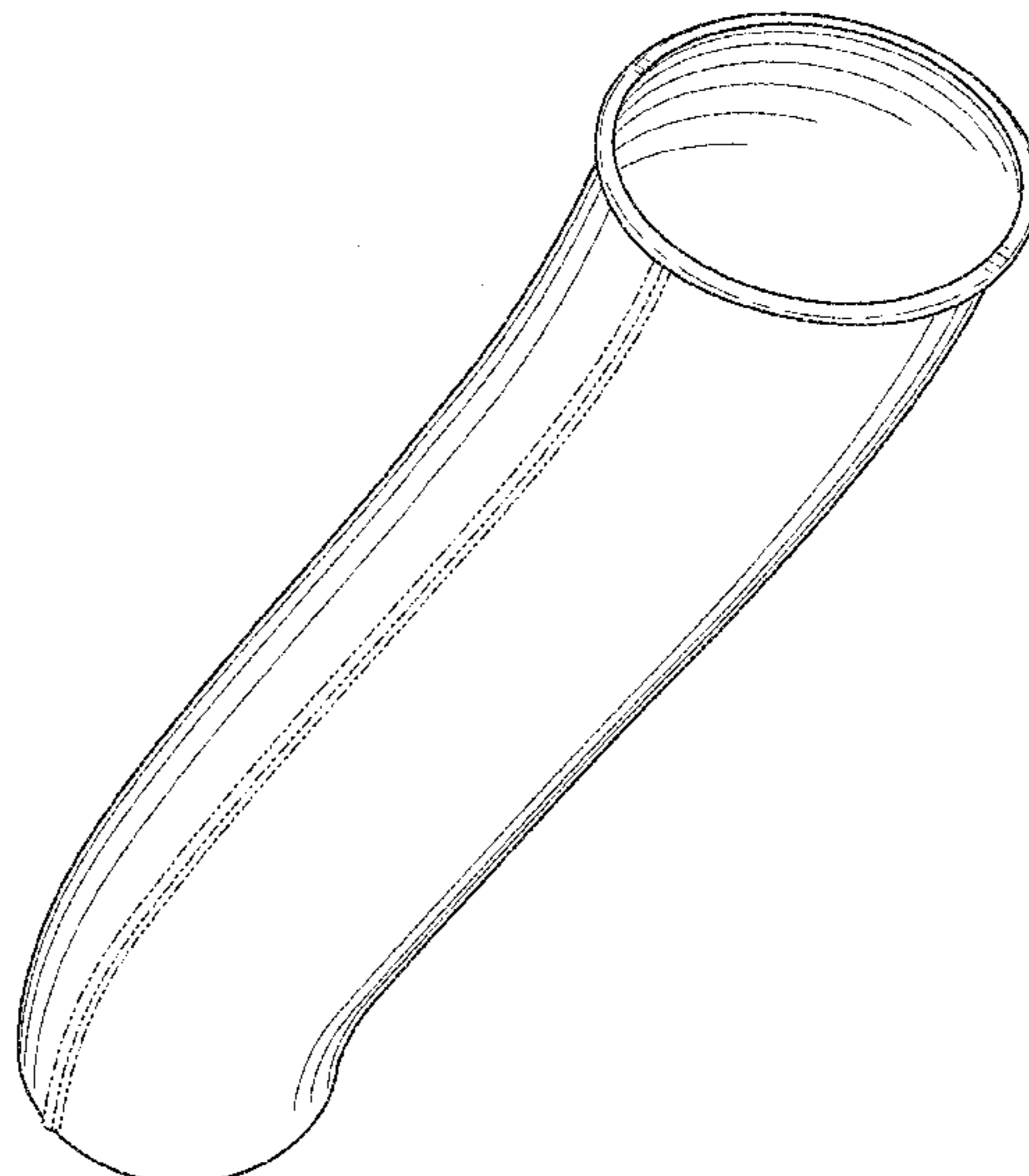
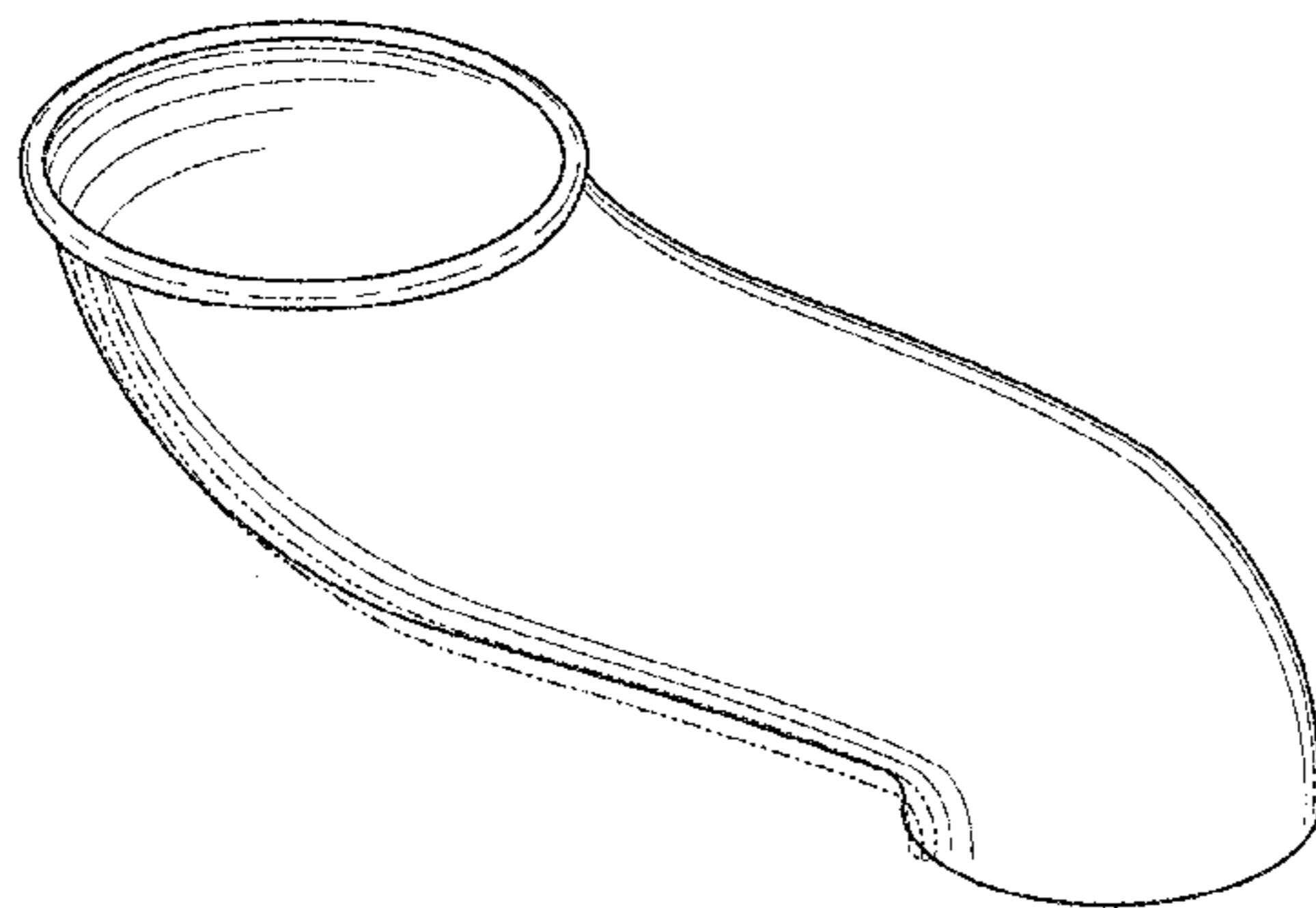
FIG. 6 is a fourth side view thereof;

FIG. 7 is a first end view thereof; and,

FIG. 8 is a second end view thereof.

The broken line in the figure drawings represents unclaimed environment only and forms no part of the claimed design.

1 Claim, 6 Drawing Sheets



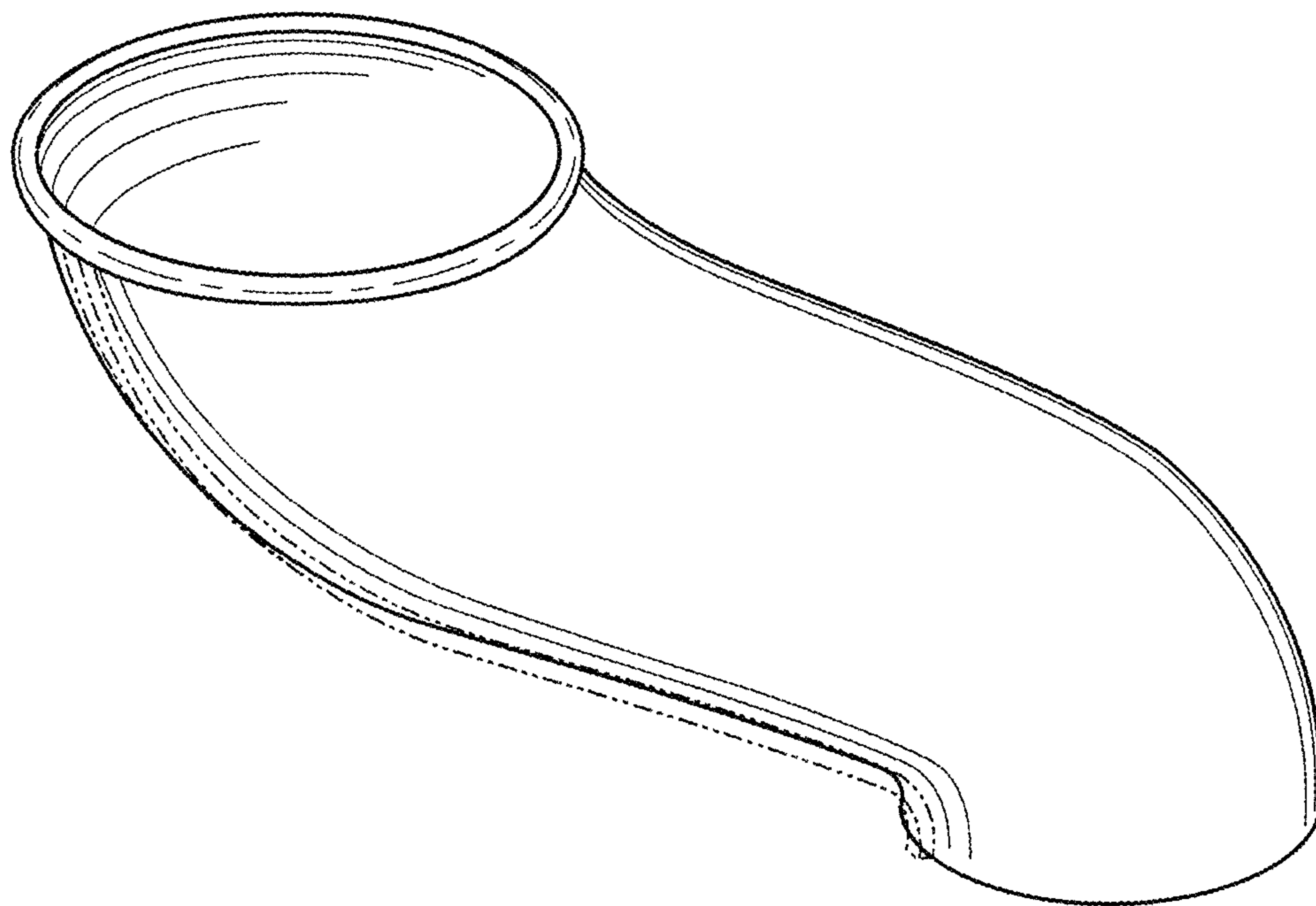


FIG. 1

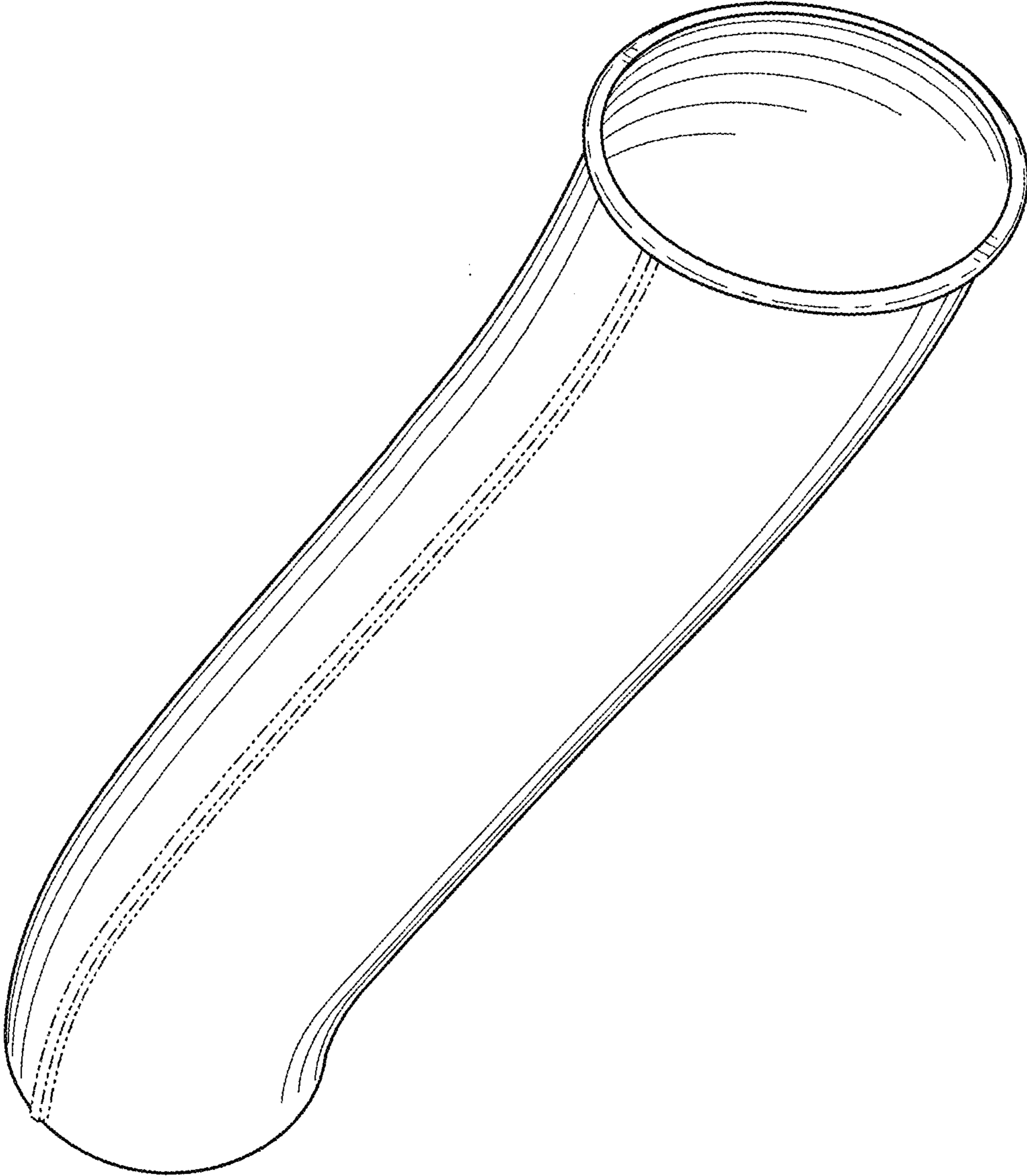


FIG. 2

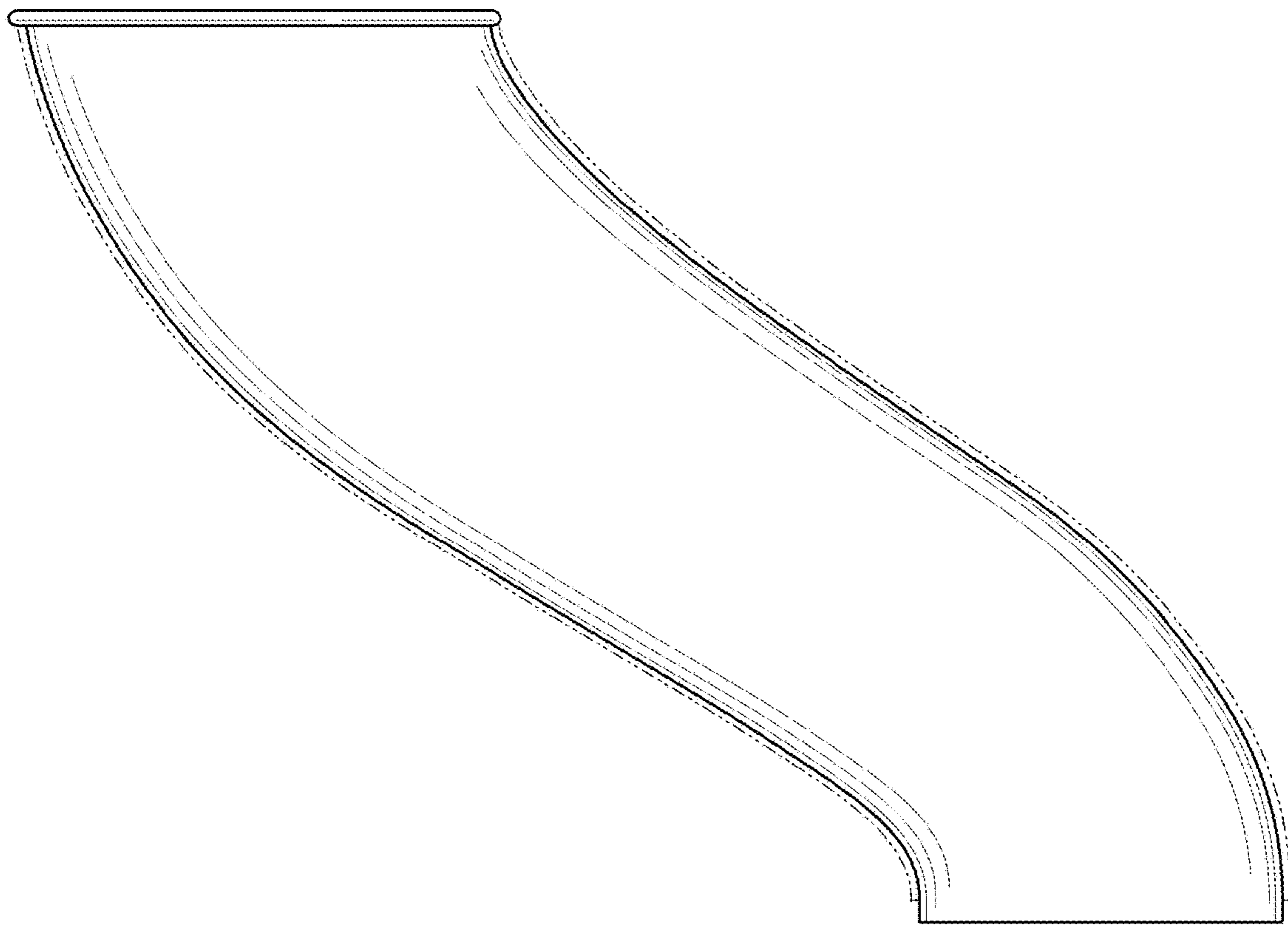


FIG. 3

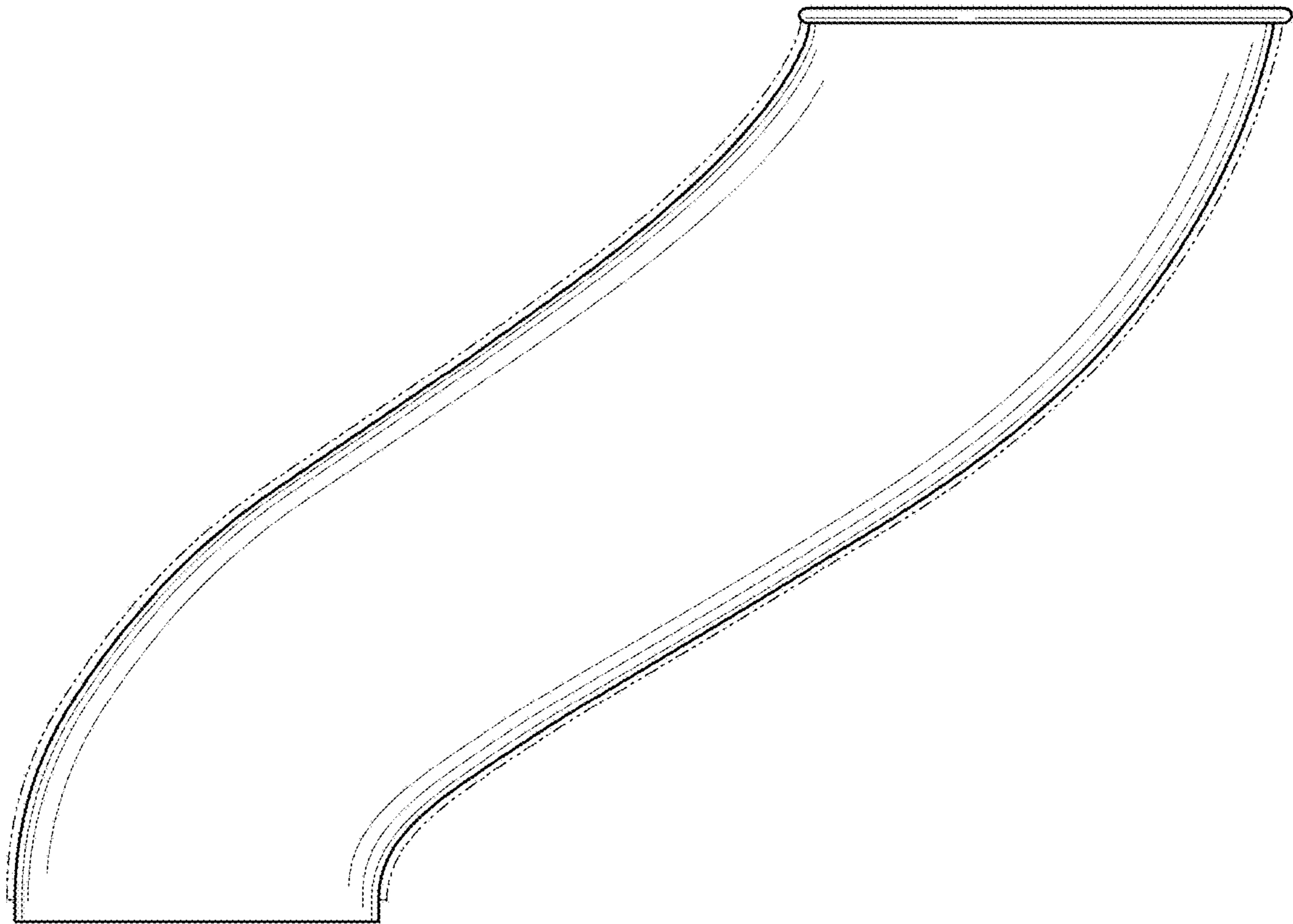


FIG. 4

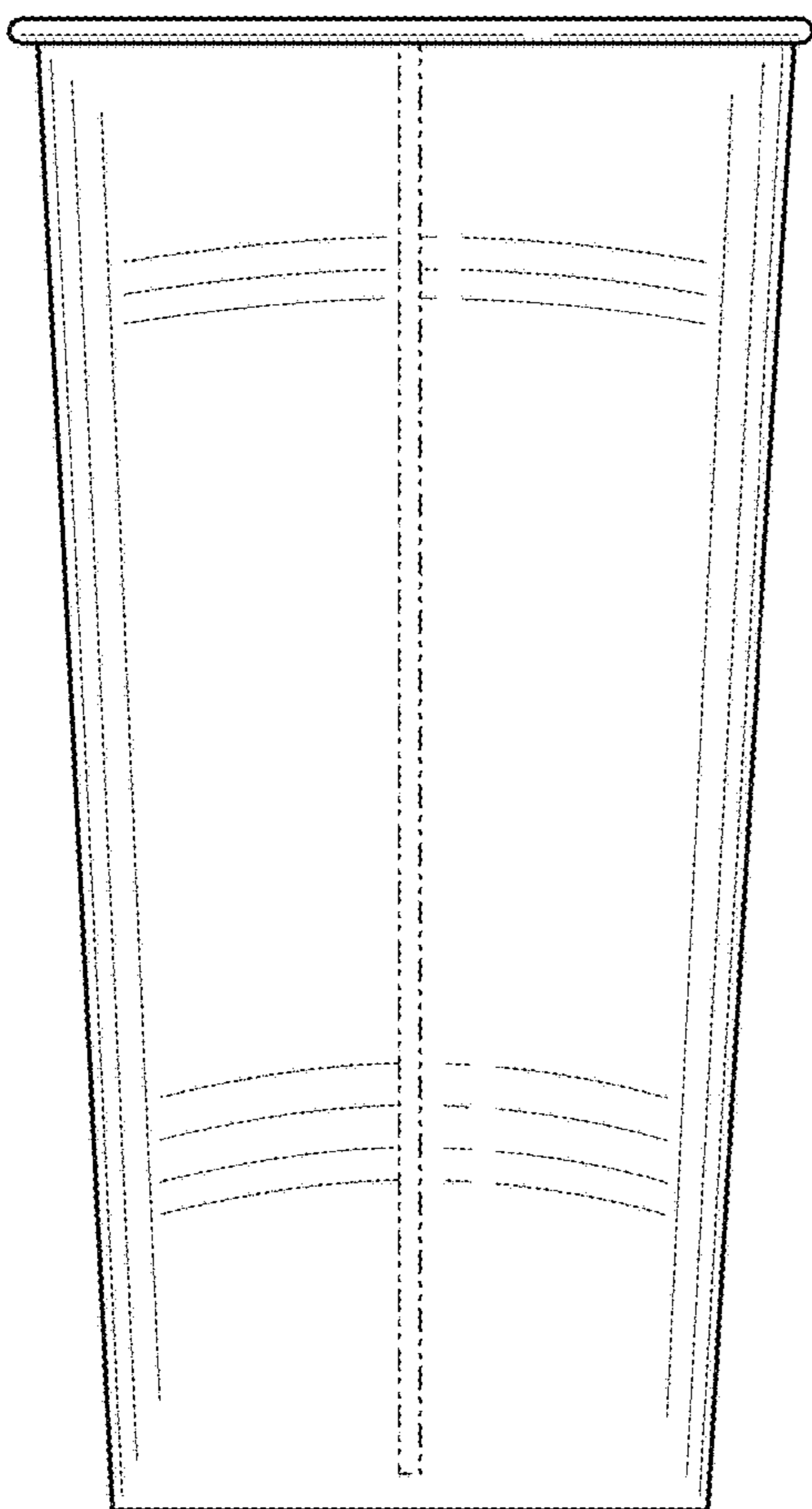


FIG. 5

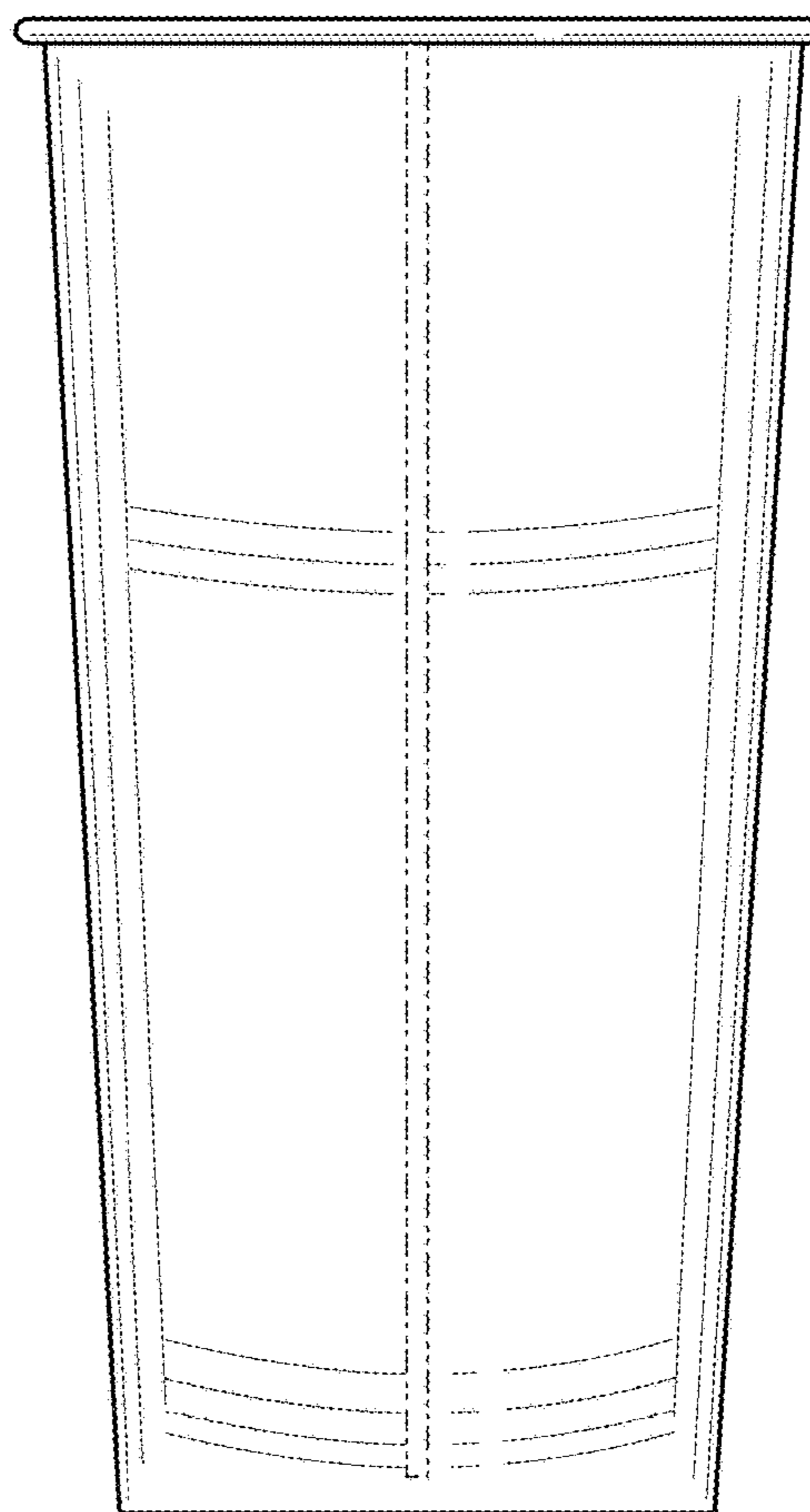


FIG. 6

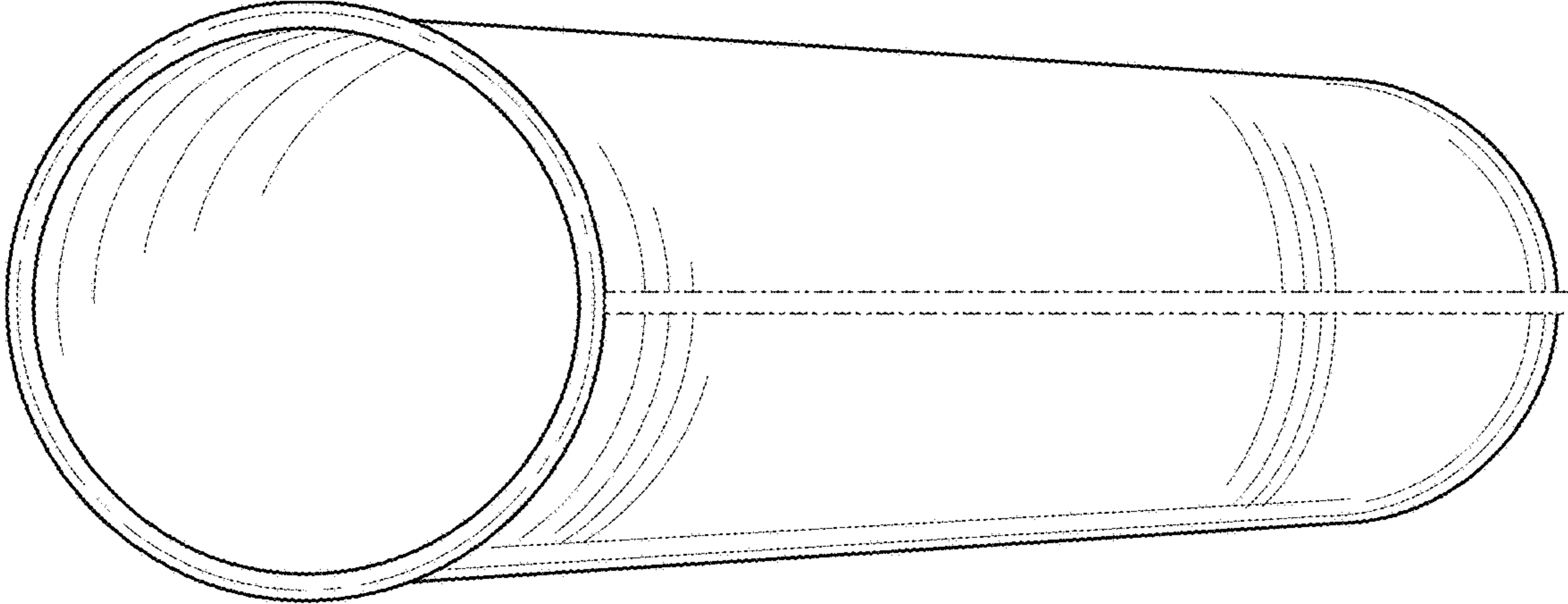


FIG. 7

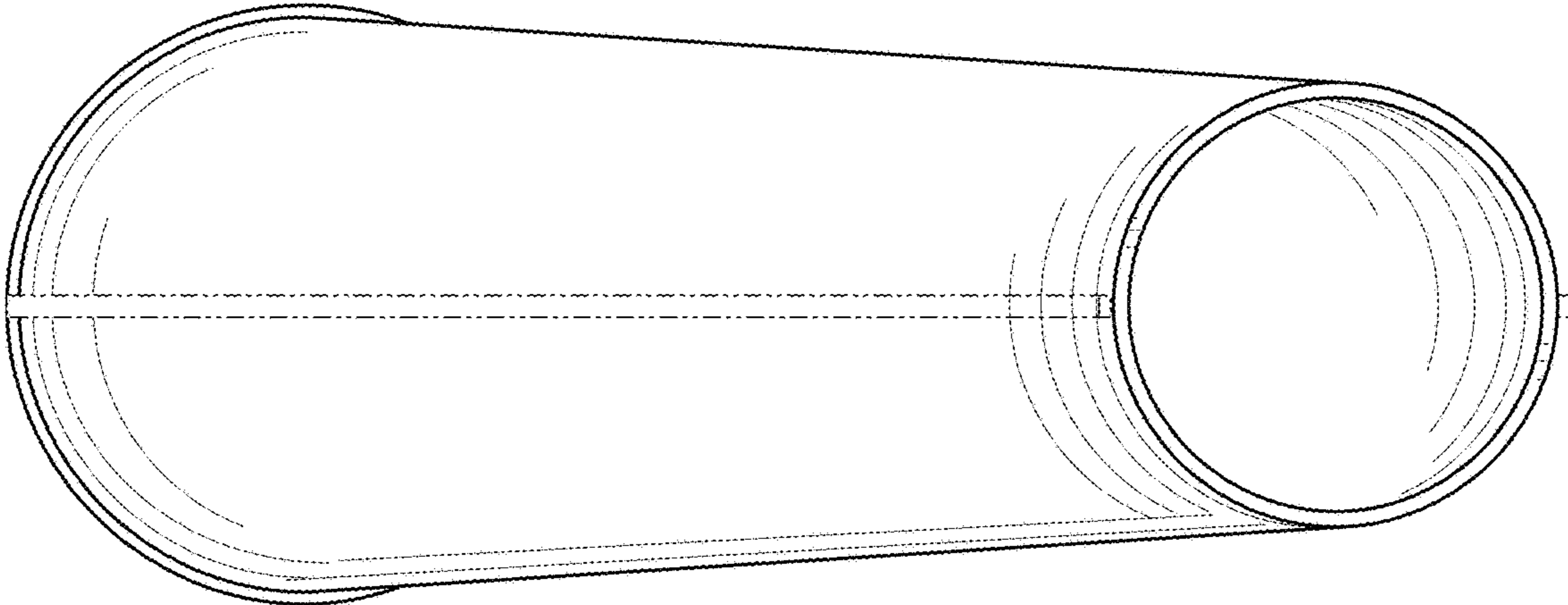


FIG. 8