



US00D778130S

(12) **United States Design Patent** (10) **Patent No.:** **US D778,130 S**
Eric (45) **Date of Patent:** **** Feb. 7, 2017**

(54) **MINCER**
(71) Applicant: **Teng Eric**, Gold River, CA (US)
(72) Inventor: **Teng Eric**, Gold River, CA (US)
(**) Term: **15 Years**
(21) Appl. No.: **29/527,997**
(22) Filed: **May 23, 2015**
(51) **LOC (10) Cl.** **07-04**
(52) **U.S. Cl.**
USPC **D7/693**
(58) **Field of Classification Search**
USPC D7/693, 679, 590-600, 372, 373, 374,
D7/383, 384, 401.1
CPC A47J 19/06; A47J 42/08; A47J 42/38;
A47J 42/46; A47J 42/18; A47J
42/40; A47J 42/34; A47J 42/14; A47J
43/04; A24F 15/18
See application file for complete search history.

D668,919 S 10/2012 Teng
8,393,563 B2 * 3/2013 Chaoui B02C 18/08
241/168
2003/0006328 A1 * 1/2003 Manson B02C 13/22
241/169.1
2012/0097774 A1 * 4/2012 Hainbach A47J 42/14
241/101.2
2013/0015278 A1 * 1/2013 Edwards A47J 42/40
241/69
2013/0214068 A1 * 8/2013 Camitta B02C 18/16
241/25
2013/0277473 A1 * 10/2013 Delbridge A47J 42/38
241/169.1

* cited by examiner

Primary Examiner — Terry Wallace
(74) *Attorney, Agent, or Firm* — Law Offices of David M. Lang; David M. Lang

(57) **CLAIM**

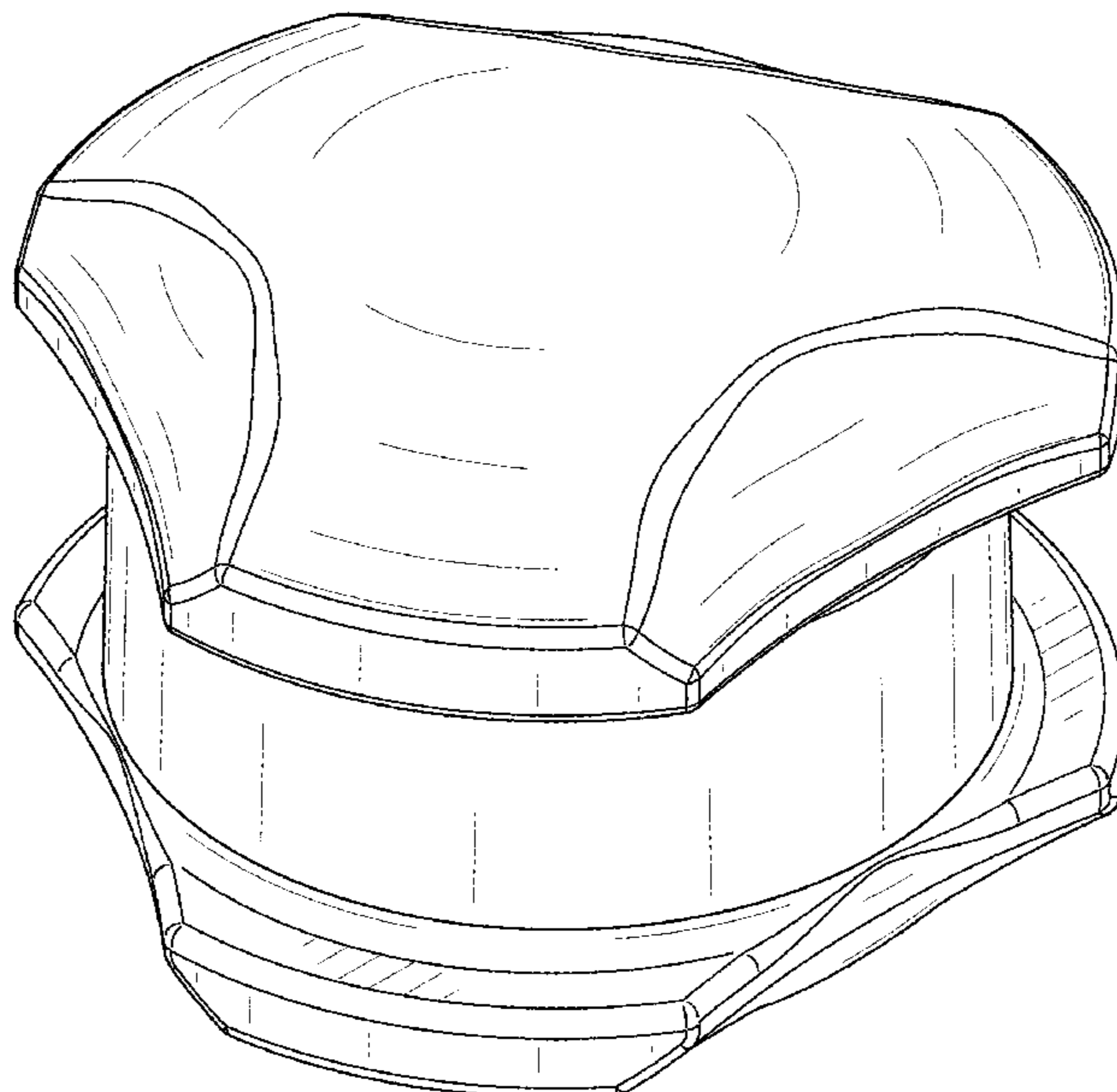
The ornamental design for a mincer, as shown and described.

DESCRIPTION

FIG. 1 is a top perspective view of a mincer showing my new design.
FIG. 2 is a top view, the opposite side being a mirror image thereof;
FIG. 3 is a side elevation view thereof;
FIG. 4 is a rear elevation view thereof;
FIG. 5 is a front elevation view thereof;
FIG. 6 is a perspective view showing two-pieces separated;
FIG. 7 is a top view showing two-pieces separated;
FIG. 8 is a side elevation view showing two-pieces separated;
FIG. 9 is a rear view showing two-pieces separated; and,
FIG. 10 is front elevation view showing two pieces separated.

(56) **References Cited**
U.S. PATENT DOCUMENTS
795,746 A * 7/1905 Wingfield A24F 15/18
131/311
2,147,394 A * 2/1939 Austern F25C 5/043
241/169
3,581,790 A * 6/1971 Conte A47J 43/255
241/169.1
D474,378 S * 5/2003 Brandenburg D7/679
6,945,486 B2 * 9/2005 Teng A47J 19/06
241/169.1
7,367,519 B2 * 5/2008 de Groote A47J 19/04
241/168
7,422,170 B2 * 9/2008 Bao B02C 18/24
241/168
8,220,732 B2 * 7/2012 Griffin A47J 43/04
241/169.1

1 Claim, 9 Drawing Sheets



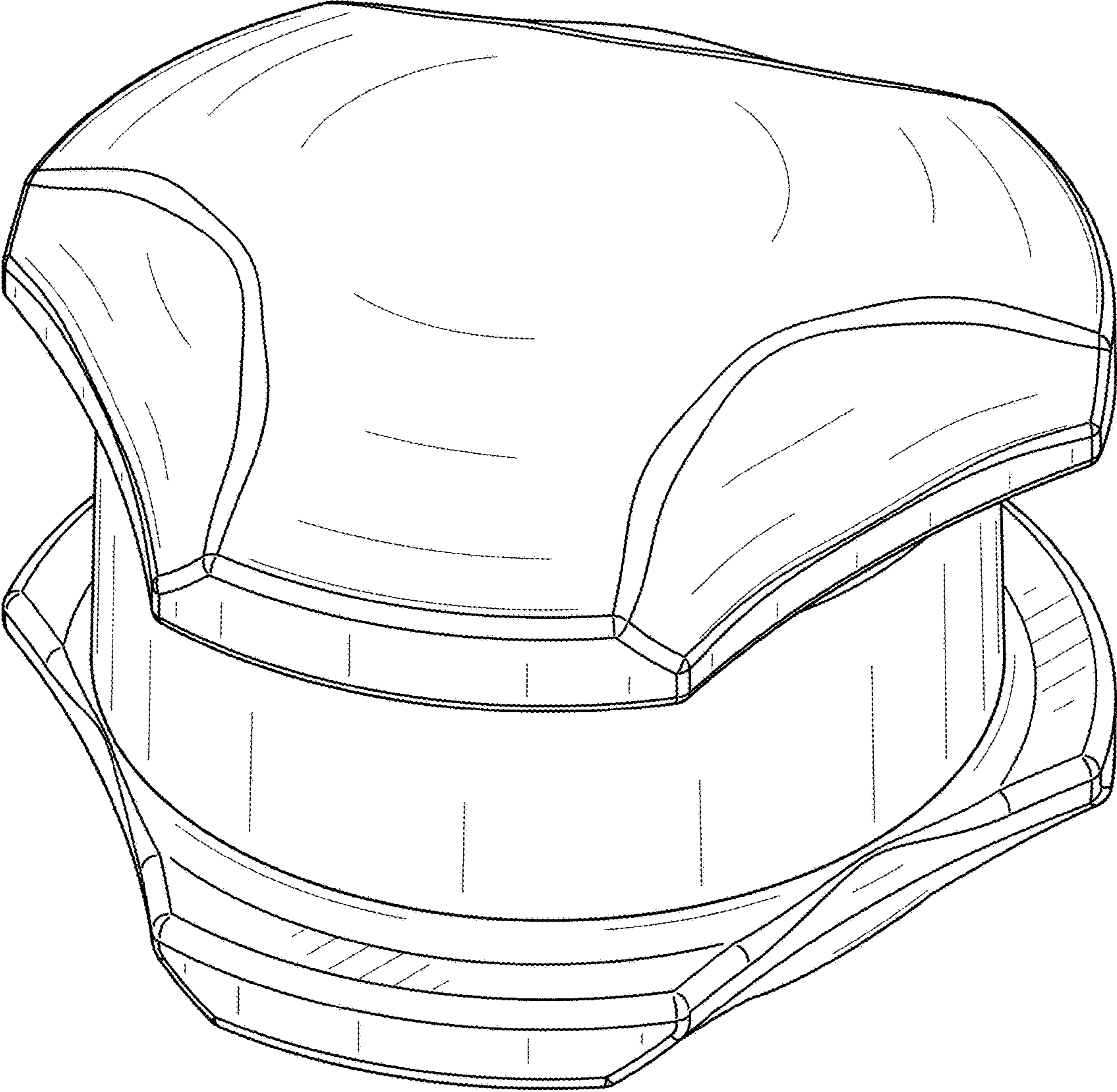


FIG. 1

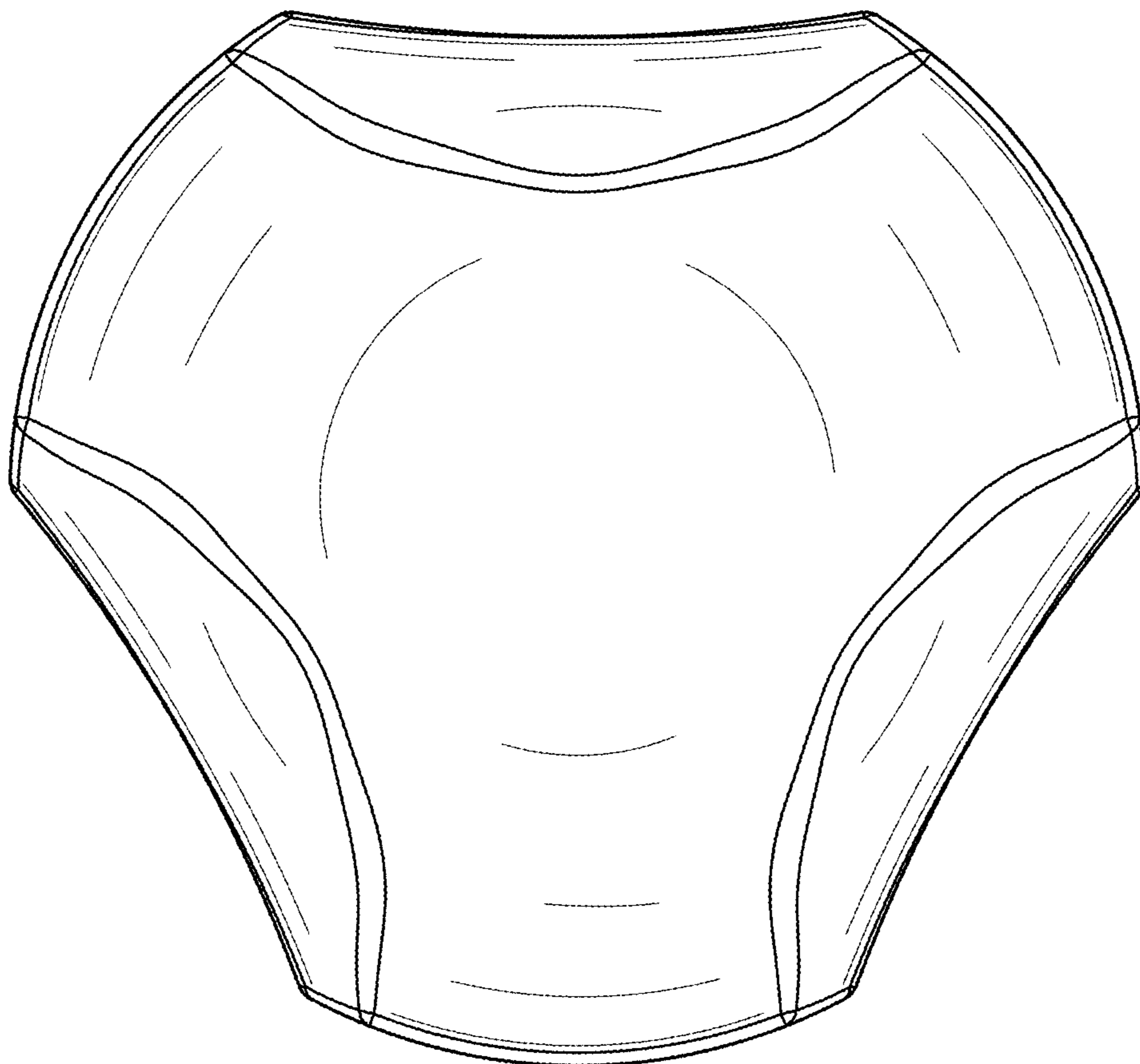


FIG. 2

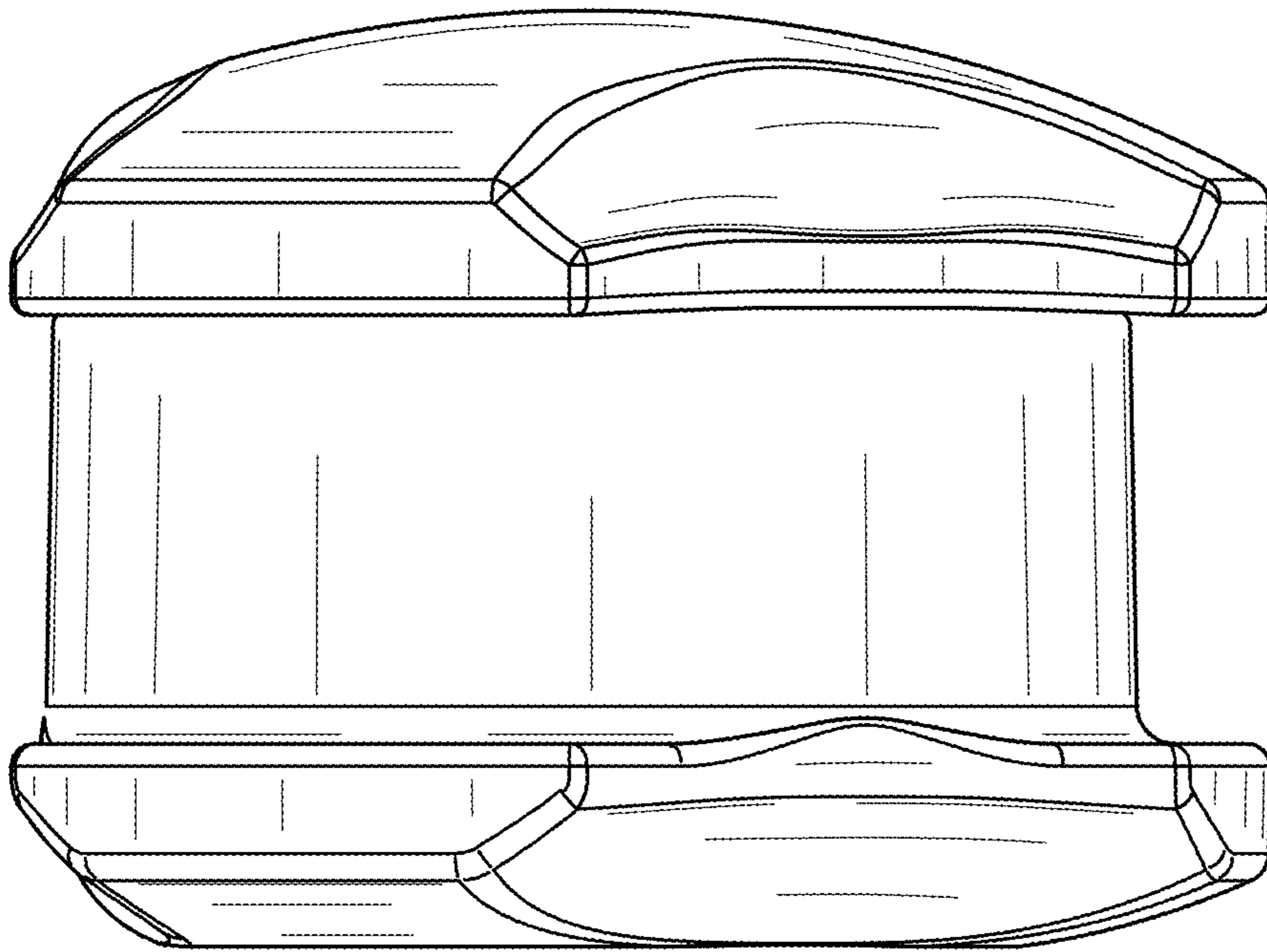


FIG. 3

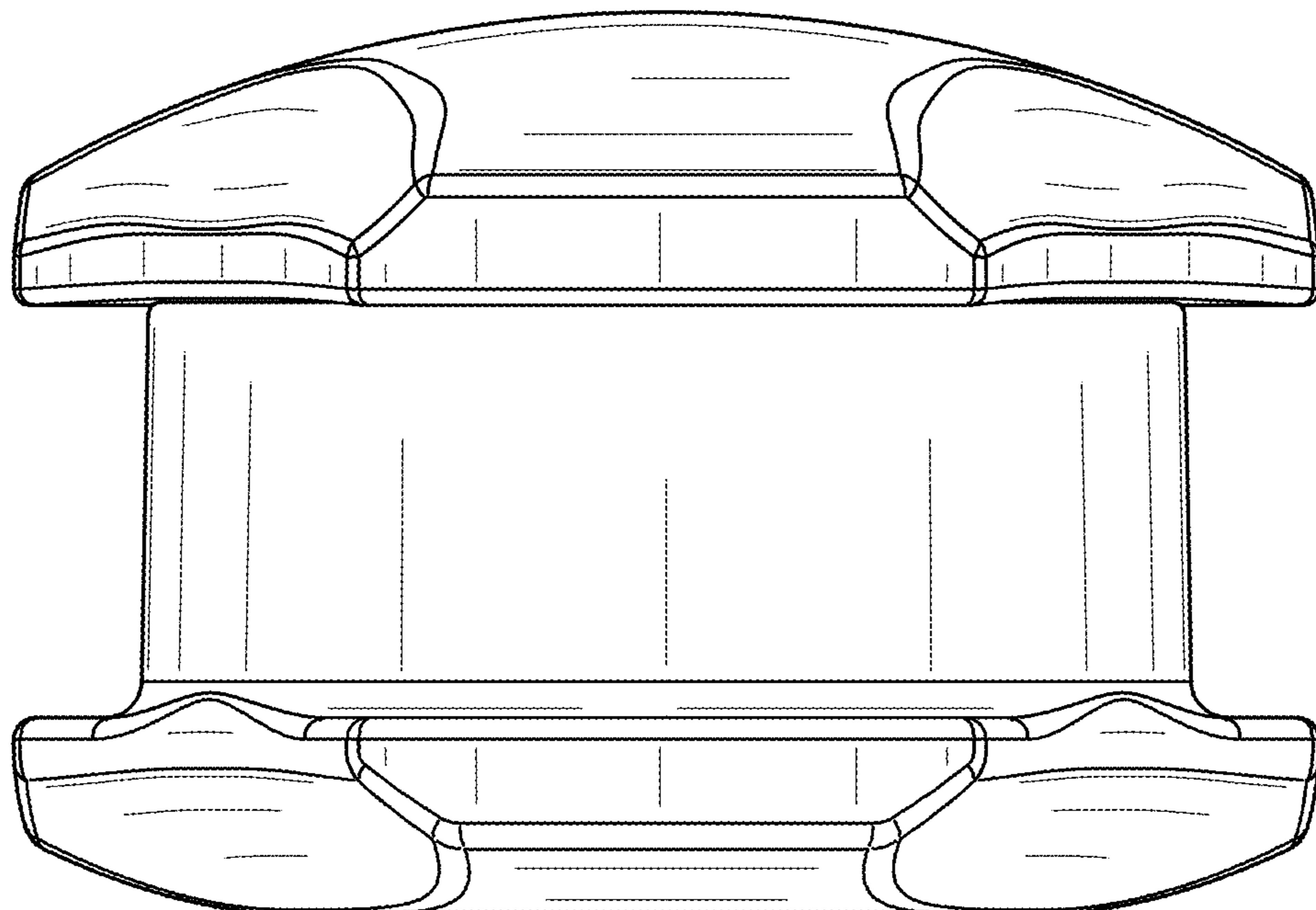


FIG. 4

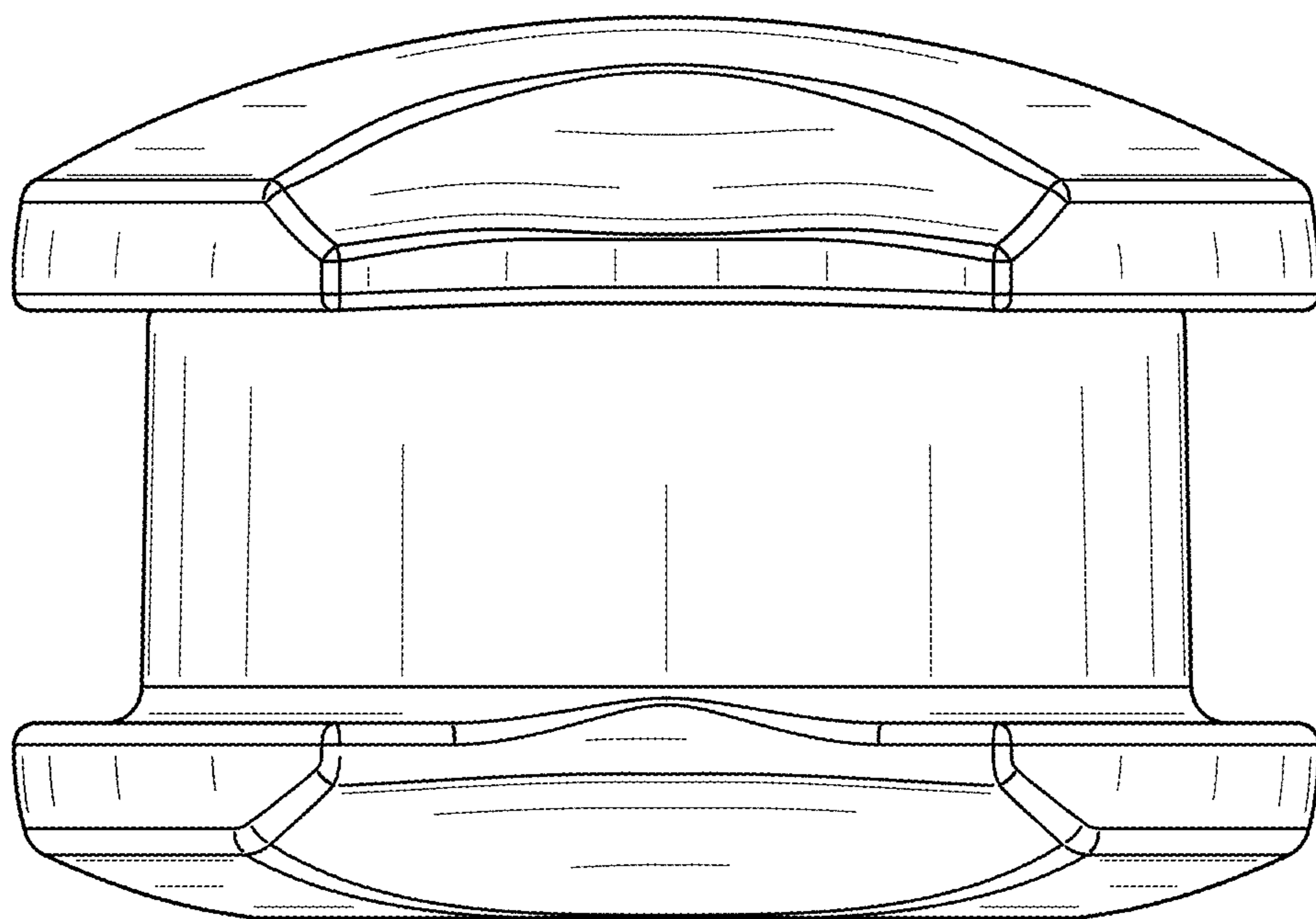


FIG. 5



FIG. 6

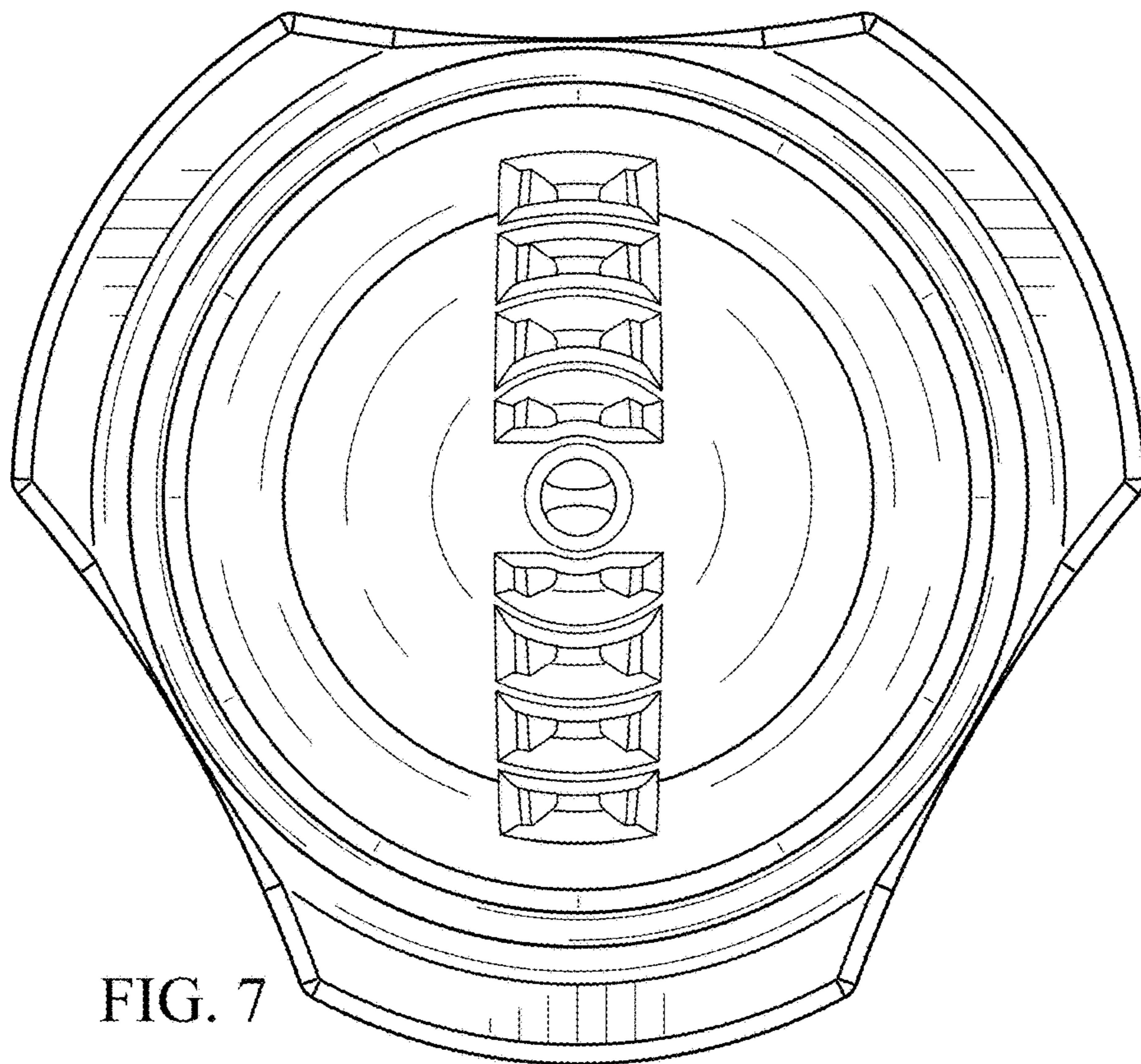
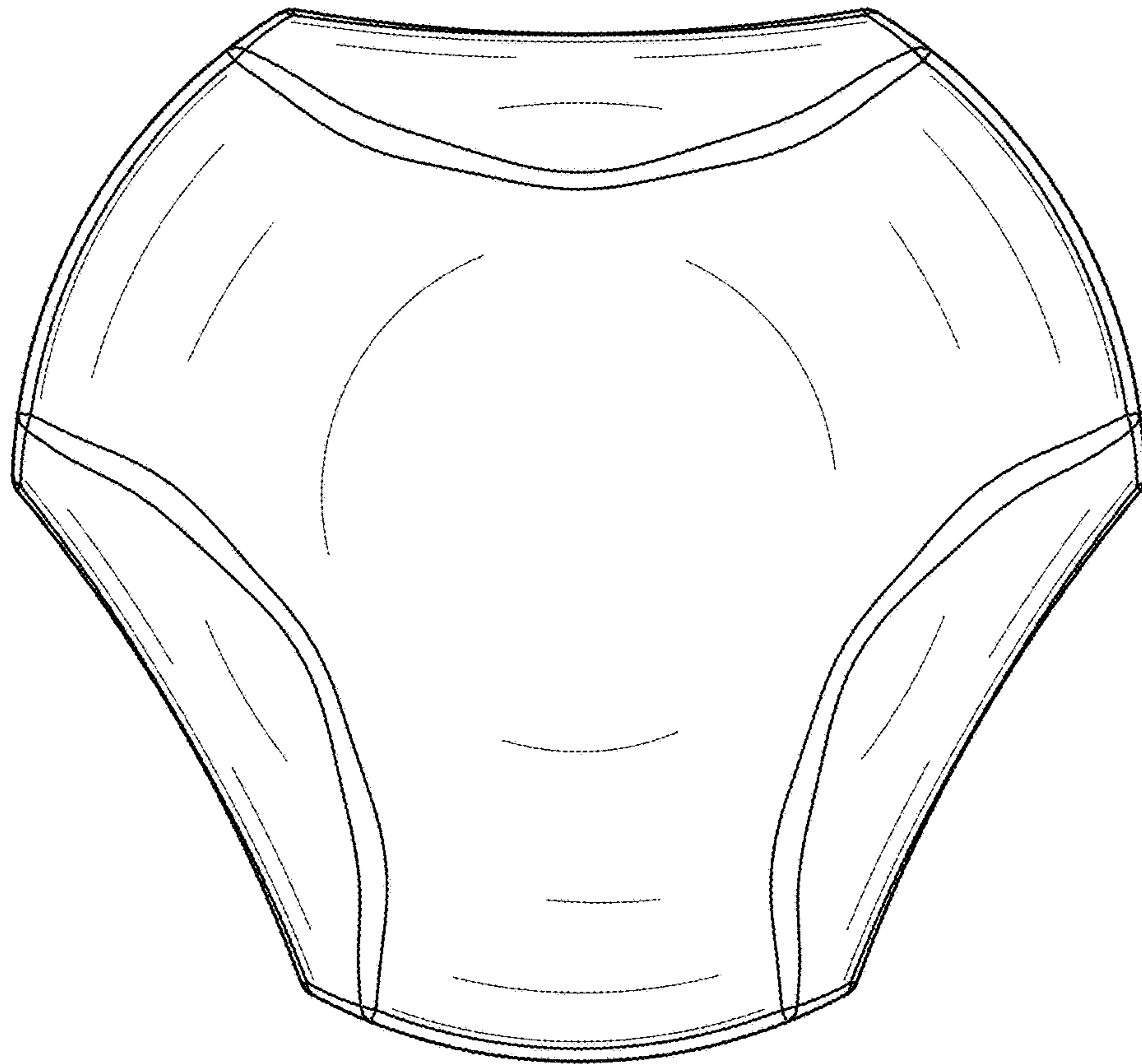


FIG. 7

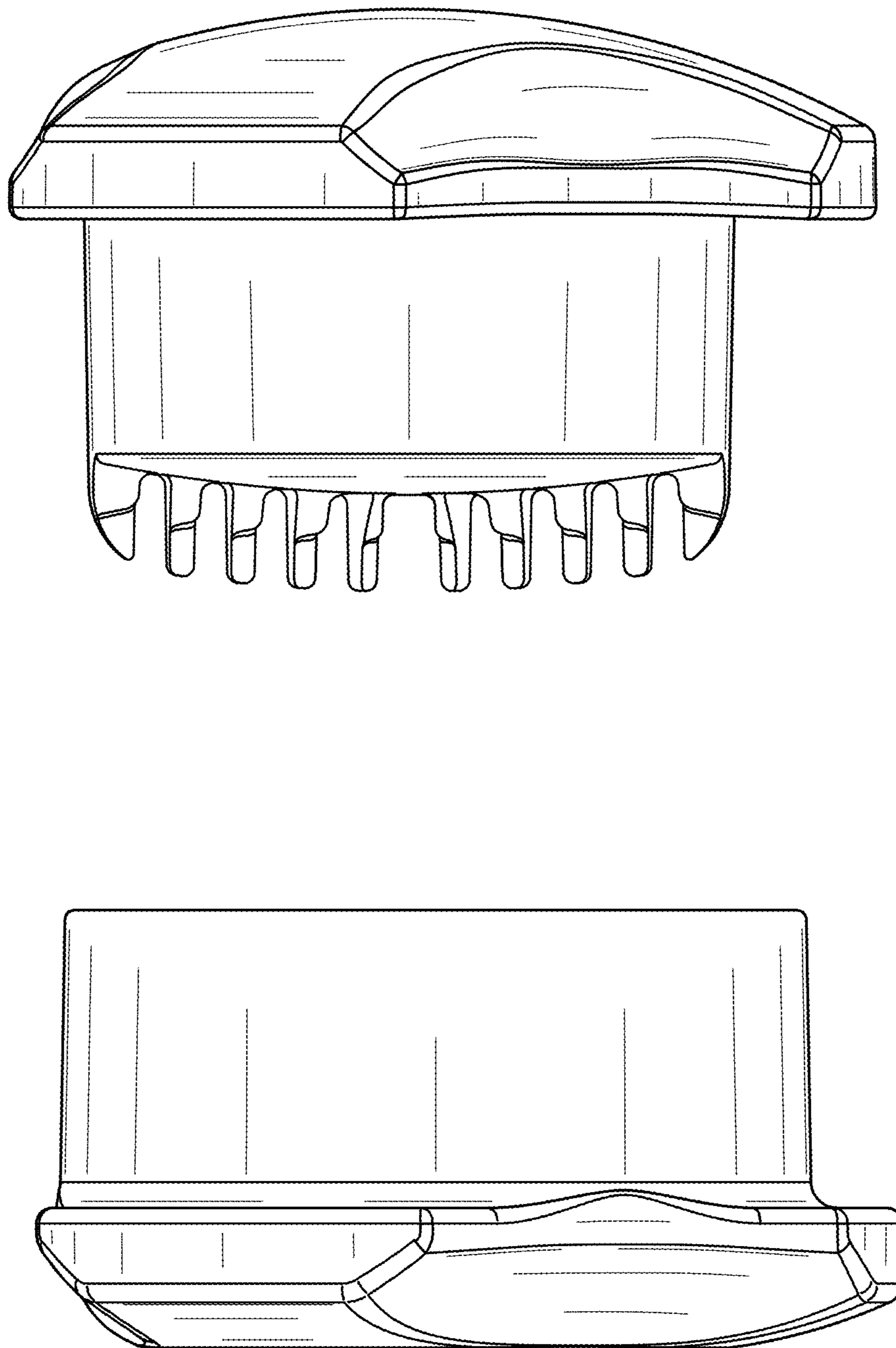


FIG. 8

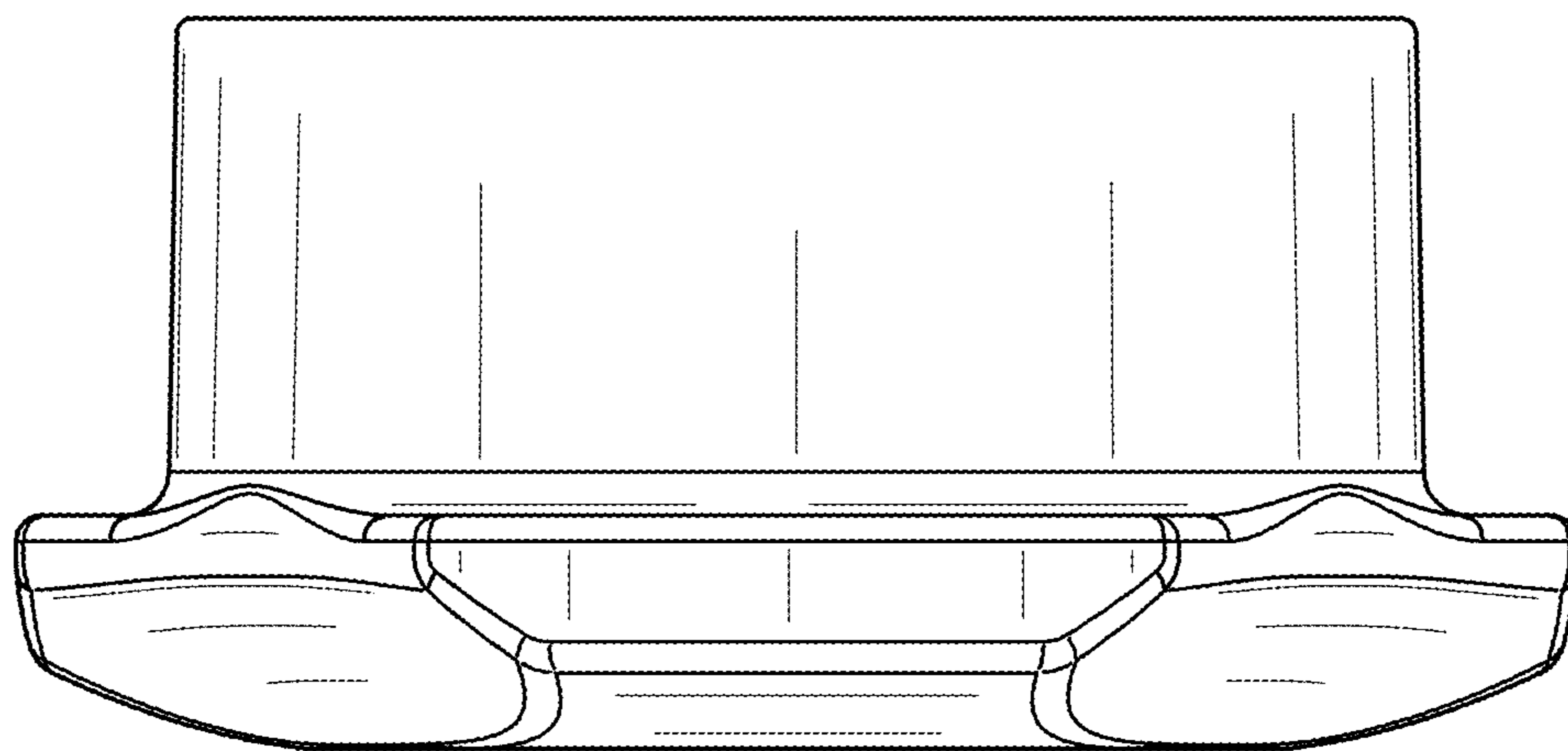
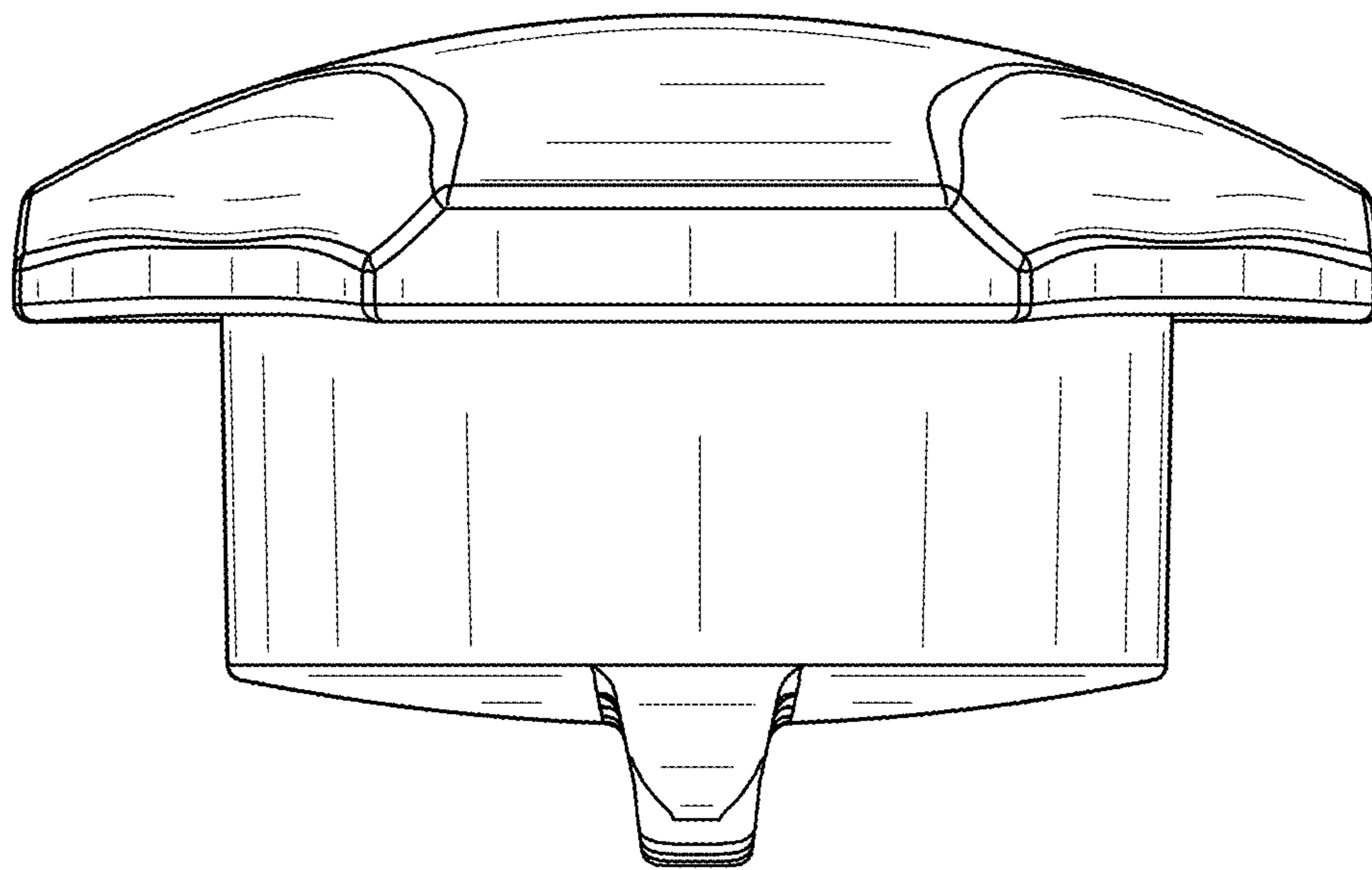


FIG. 9

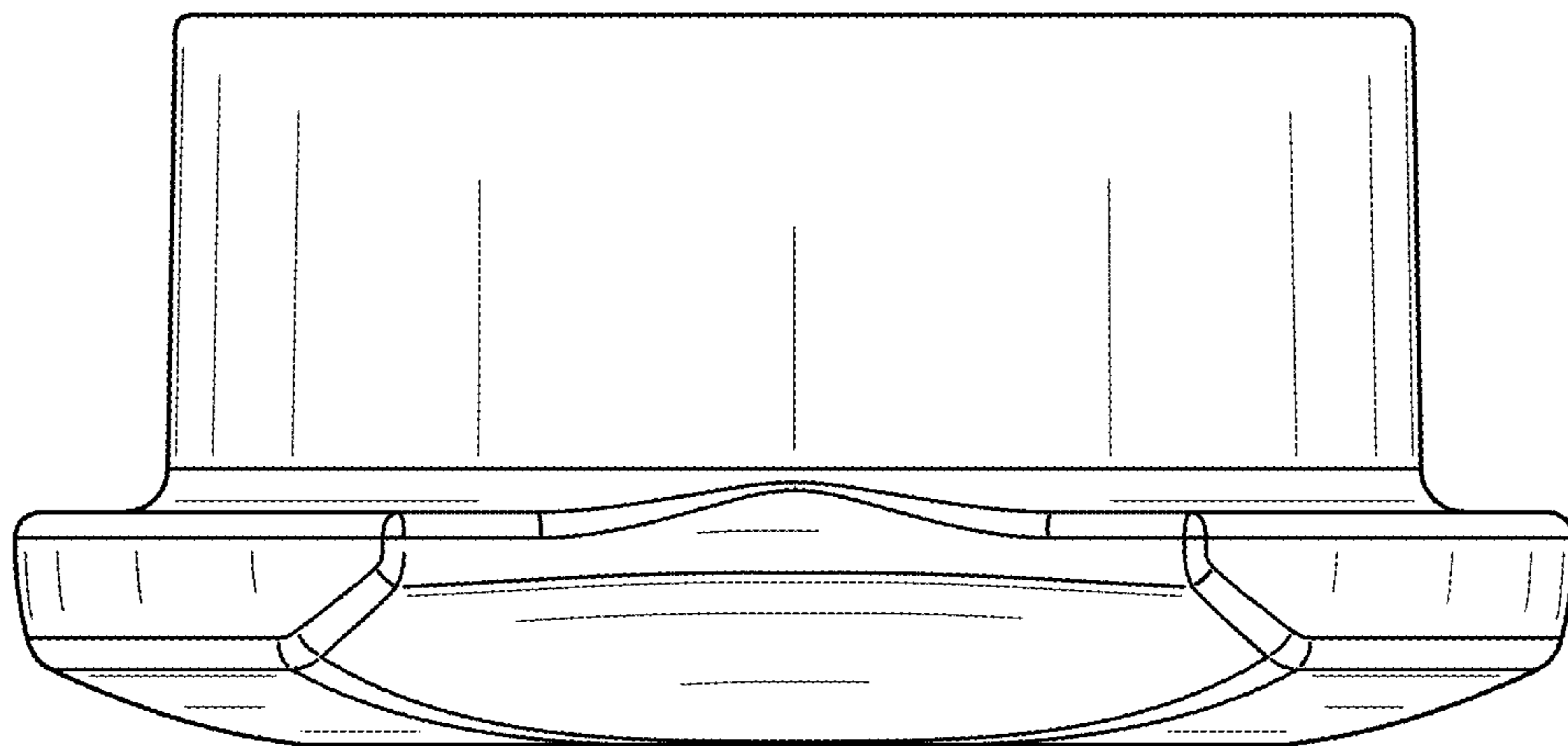
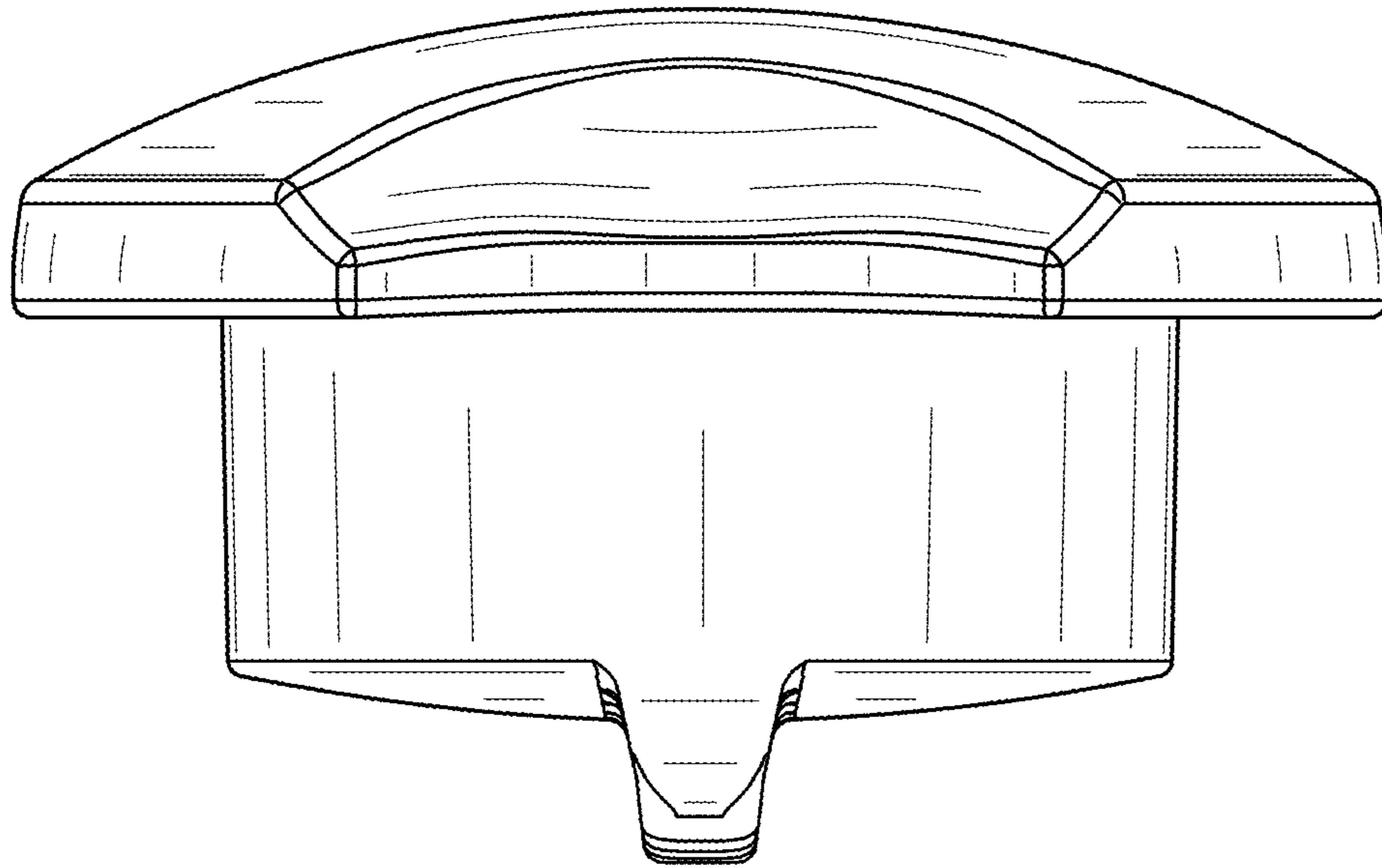


FIG. 10