



US00D778129S

(12) **United States Design Patent**
Sorensen et al.

(10) **Patent No.:** **US D778,129 S**

(45) **Date of Patent:** **** Feb. 7, 2017**

(54) **EGG CRACKER**

(71) Applicant: **RUNWAY BLUE, LLC**, Lehi, UT (US)

(72) Inventors: **Steven M. Sorensen**, Alpine, UT (US);
David O. Meyers, East Layton, UT (US); **Kim L. Sorensen**, Alpine, UT (US)

(73) Assignee: **Runway Blue, LLC**, Lehi, UT (US)

(**) Term: **15 Years**

(21) Appl. No.: **29/532,896**

(22) Filed: **Jul. 10, 2015**

(51) **LOC (10) Cl.** **07-04**

(52) **U.S. Cl.**
USPC **D7/669**

(58) **Field of Classification Search**
USPC D7/669, 665, 667, 396.2, 396.3; D9/436
CPC A47J 43/145; A47J 43/14; A47J 43/284;
A23J 1/09

See application file for complete search history.

(56) **References Cited**

U.S. PATENT DOCUMENTS

- 2,018,162 A * 10/1935 Weldon A47J 43/14
99/499
- 2,117,899 A * 5/1938 Meckler A47J 43/14
99/500
- 2,212,328 A * 8/1940 Scurlock A47J 19/022
99/497

4,463,666 A * 8/1984 Papp A47J 43/14
99/495

5,438,919 A * 8/1995 Idowu A47J 43/145
99/498

D636,223 S * 4/2011 Neiheiser D7/392.1

* cited by examiner

Primary Examiner — Terry Wallace

(74) *Attorney, Agent, or Firm* — Maschoff Brennan

(57) **CLAIM**

The ornamental design for an egg cracker, as shown and described.

DESCRIPTION

FIG. 1 is an upper perspective view of an exemplary container that may be used in connection with an egg cracker;

FIG. 2 is an upper perspective view of an egg cracker disposed in the exemplary container shown in FIG. 1;

FIG. 3 is an upper front perspective view of the egg cracker;

FIG. 4 is an upper rear perspective view of the egg cracker;

FIG. 5 is a lower front perspective view of the egg cracker;

FIG. 6 is a front view of the egg cracker;

FIG. 7 is a rear view of the egg cracker;

FIG. 8 is a left side view of the egg cracker;

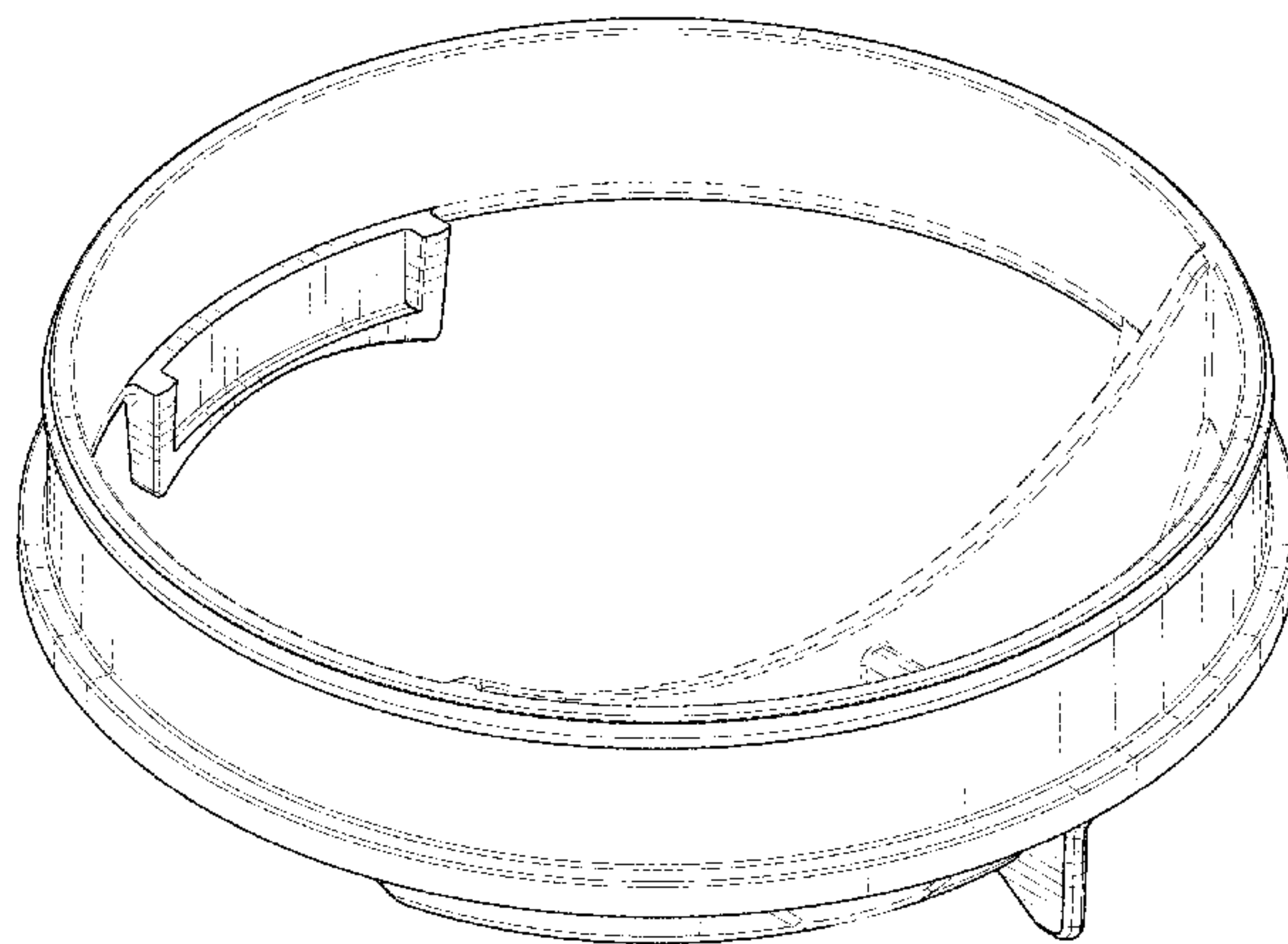
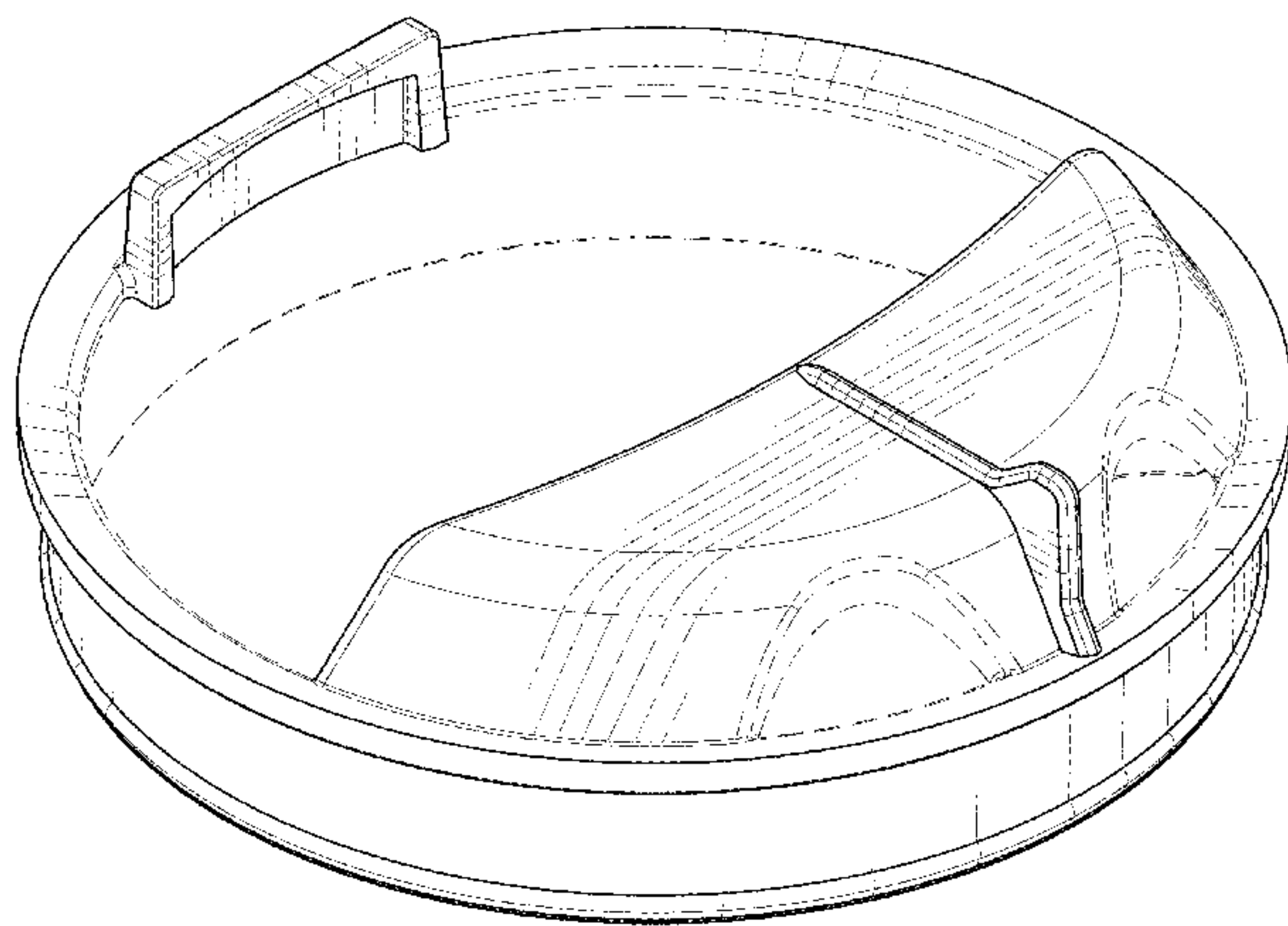
FIG. 9 is a right side view of the egg cracker;

FIG. 10 is a top view of the egg cracker; and,

FIG. 11 is a bottom view of the egg cracker.

The broken lines shown in the figures are for illustrative purposes only and form no part of the claimed design.

1 Claim, 9 Drawing Sheets



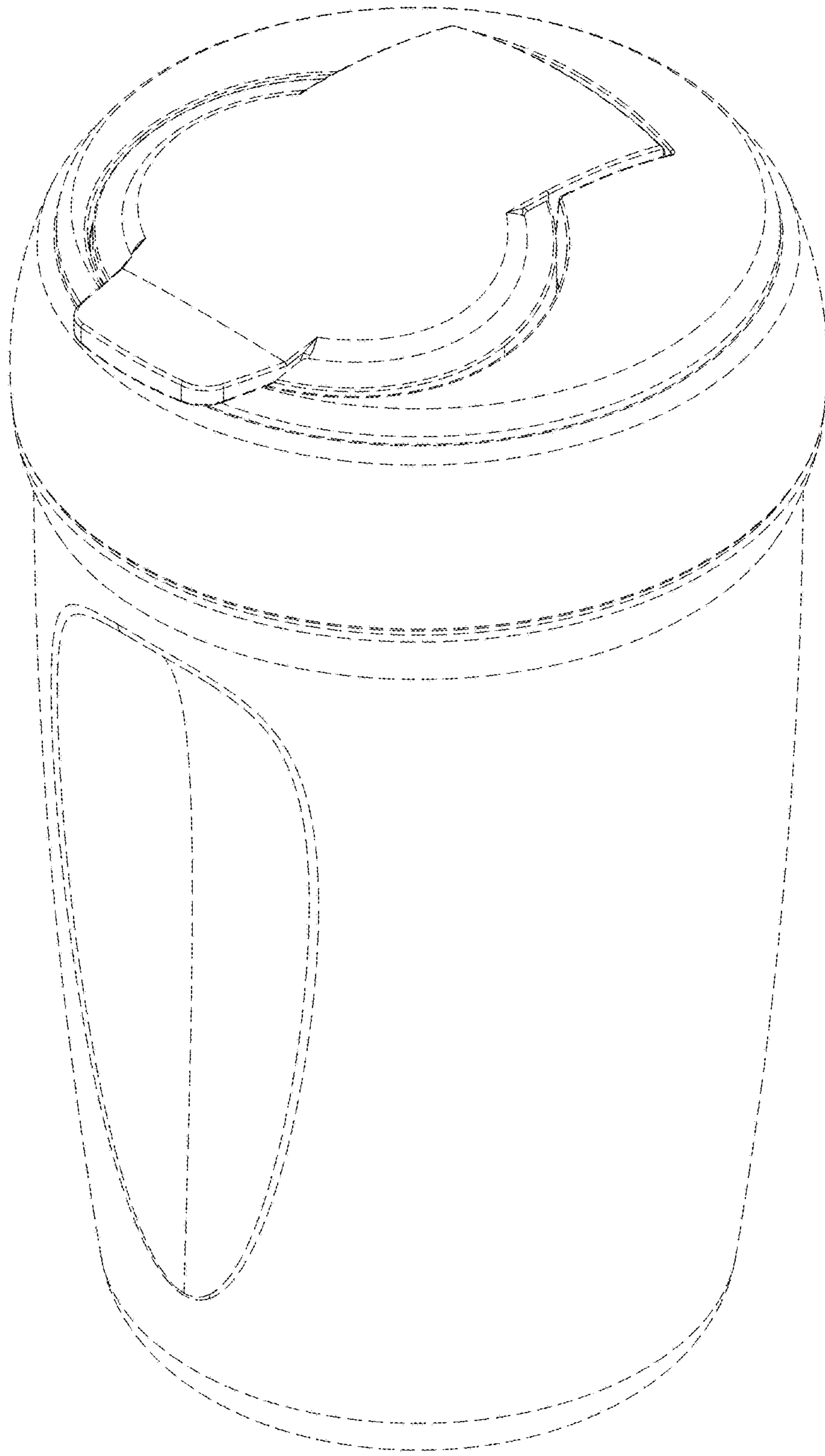


Fig. 1

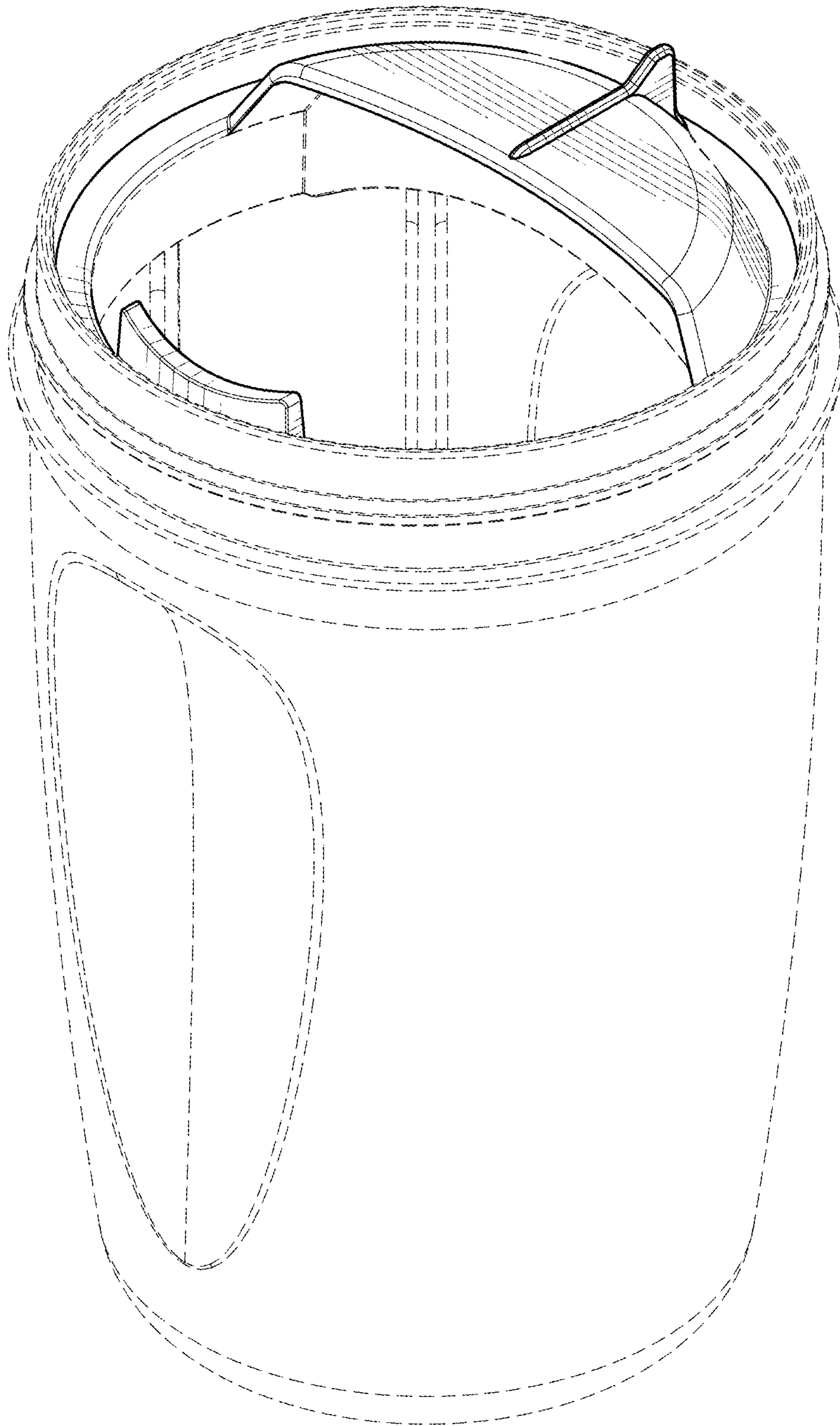


Fig. 2

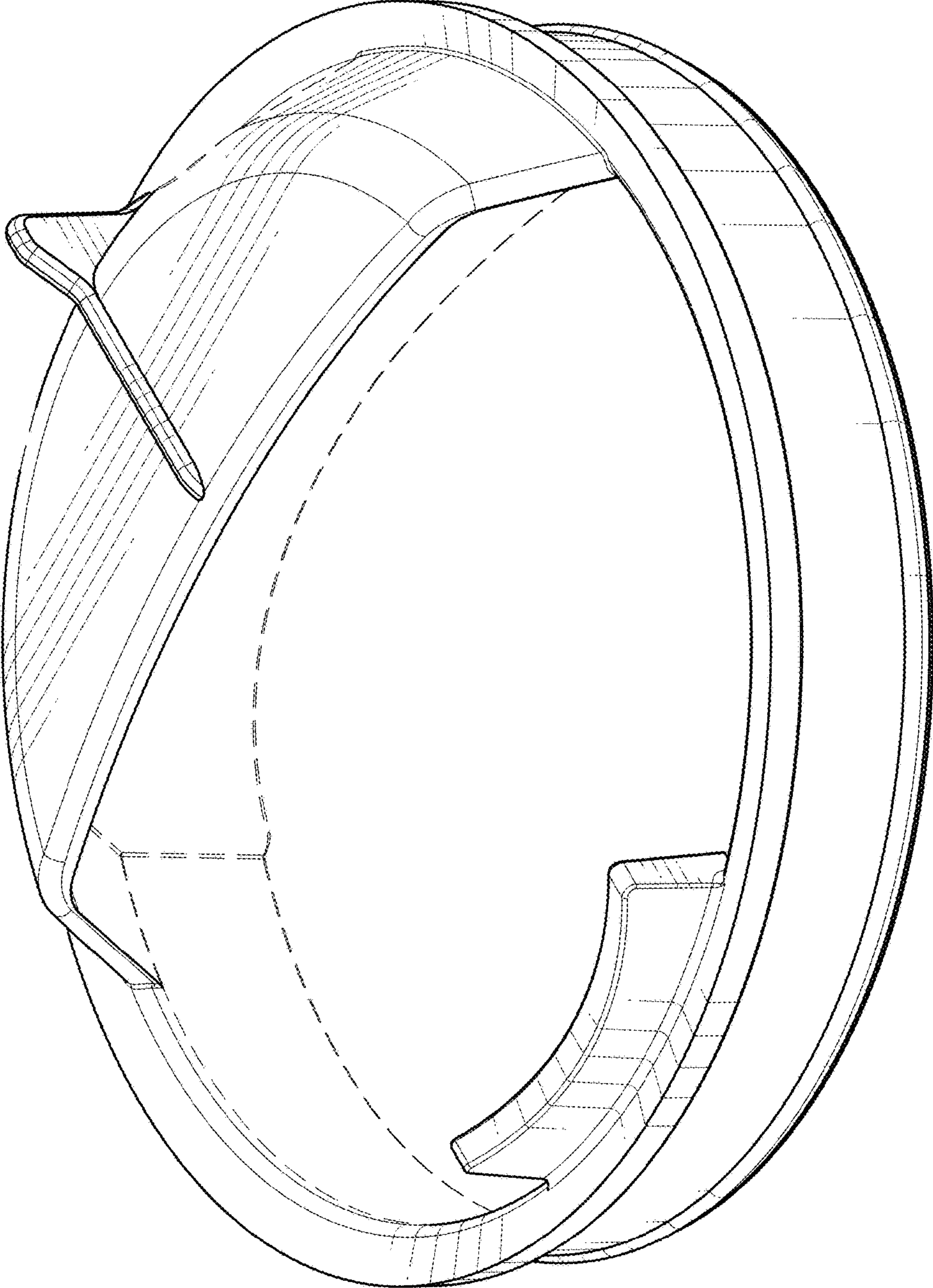


Fig. 3

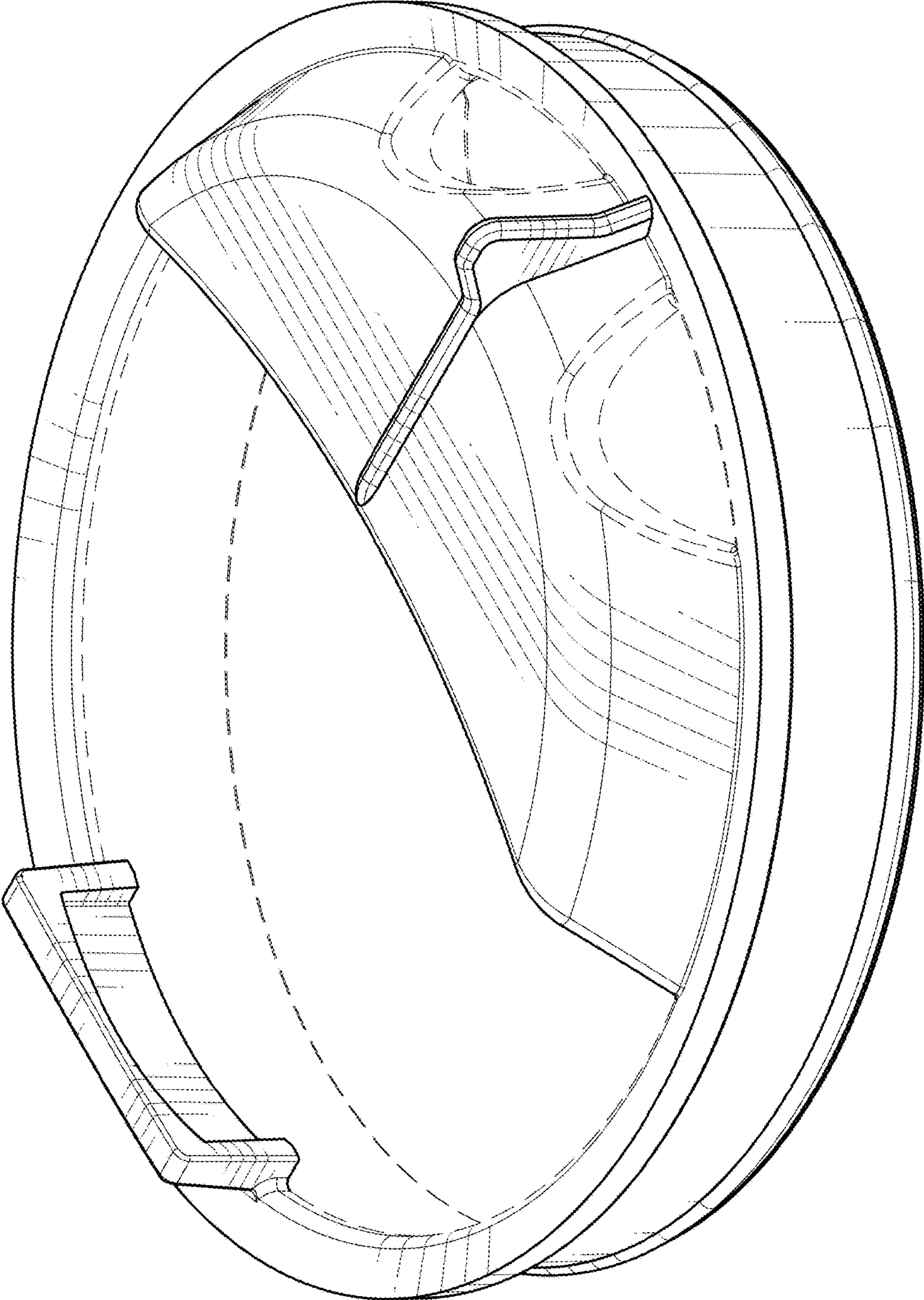


Fig. 4

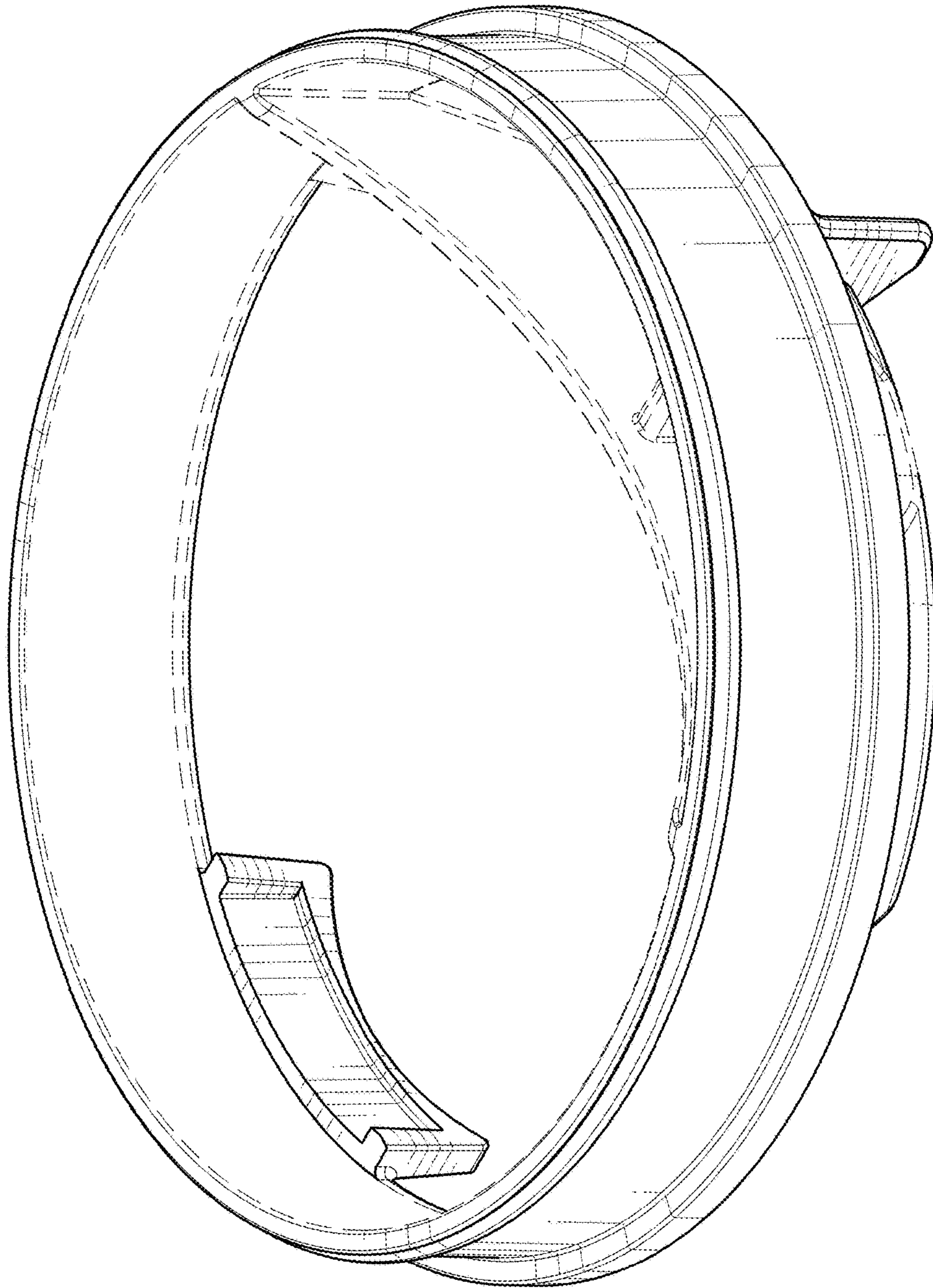


Fig. 5

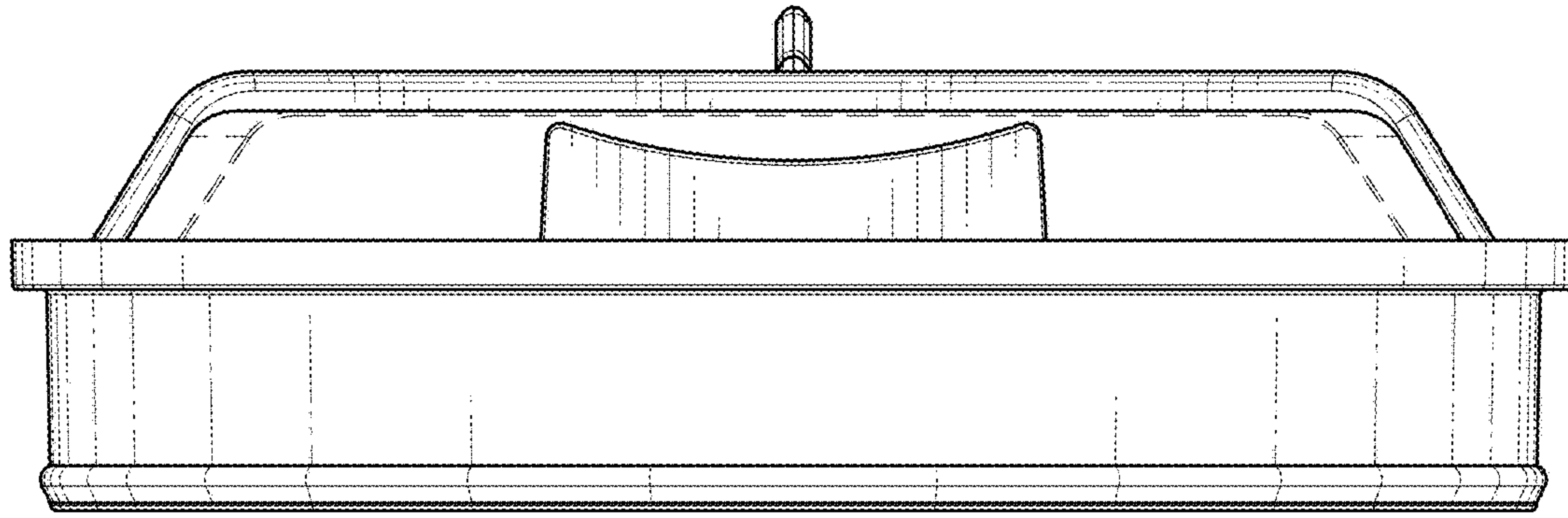


Fig. 6

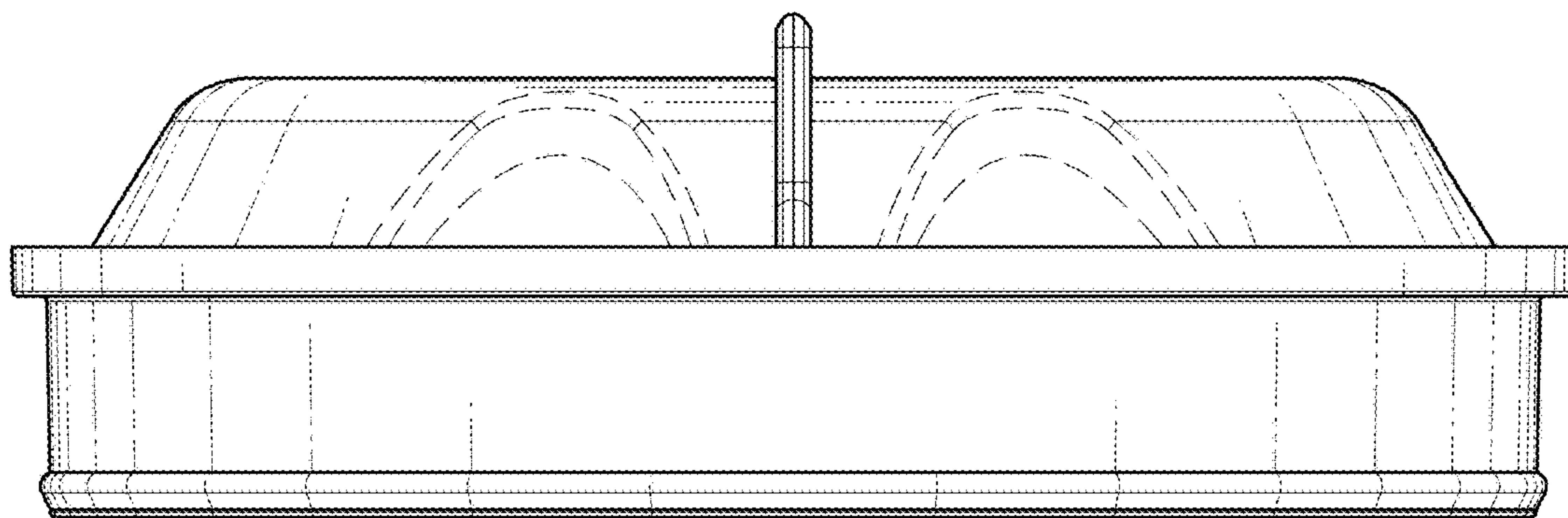


Fig. 7

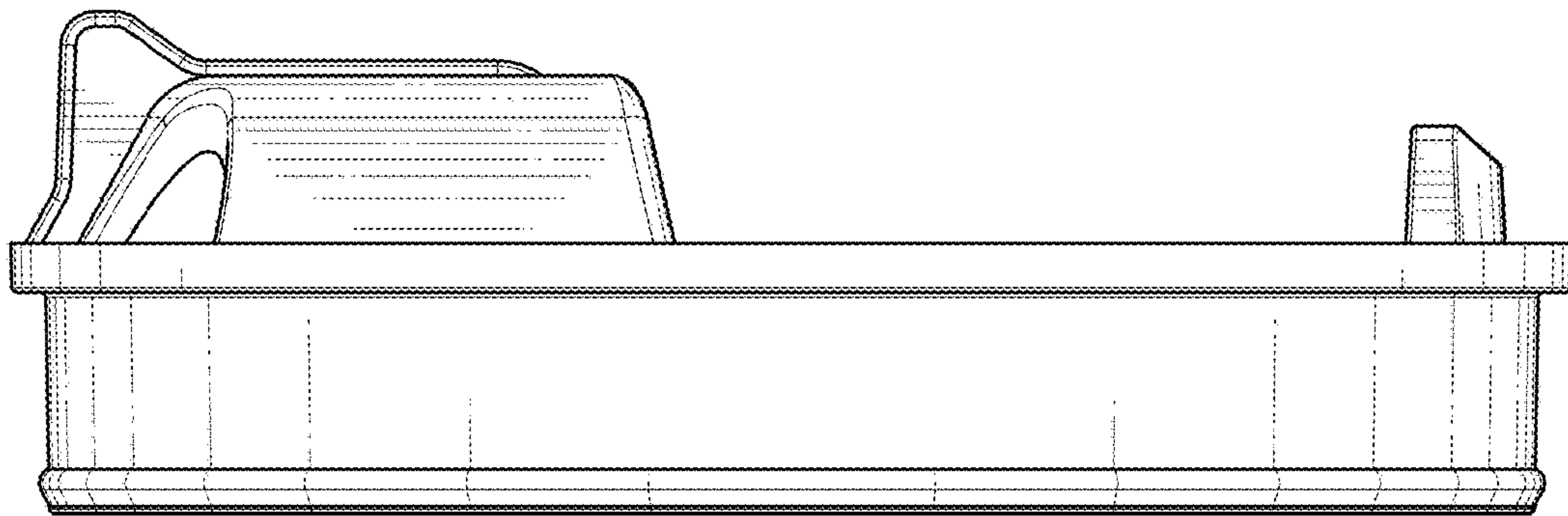


Fig. 8

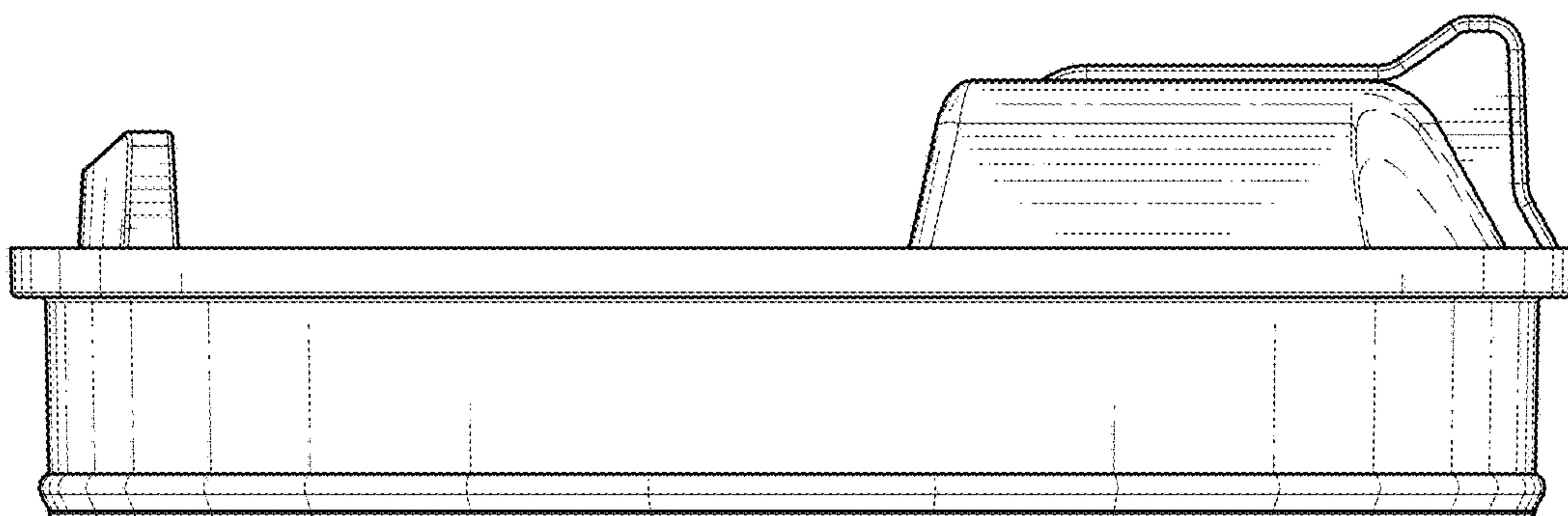


Fig. 9

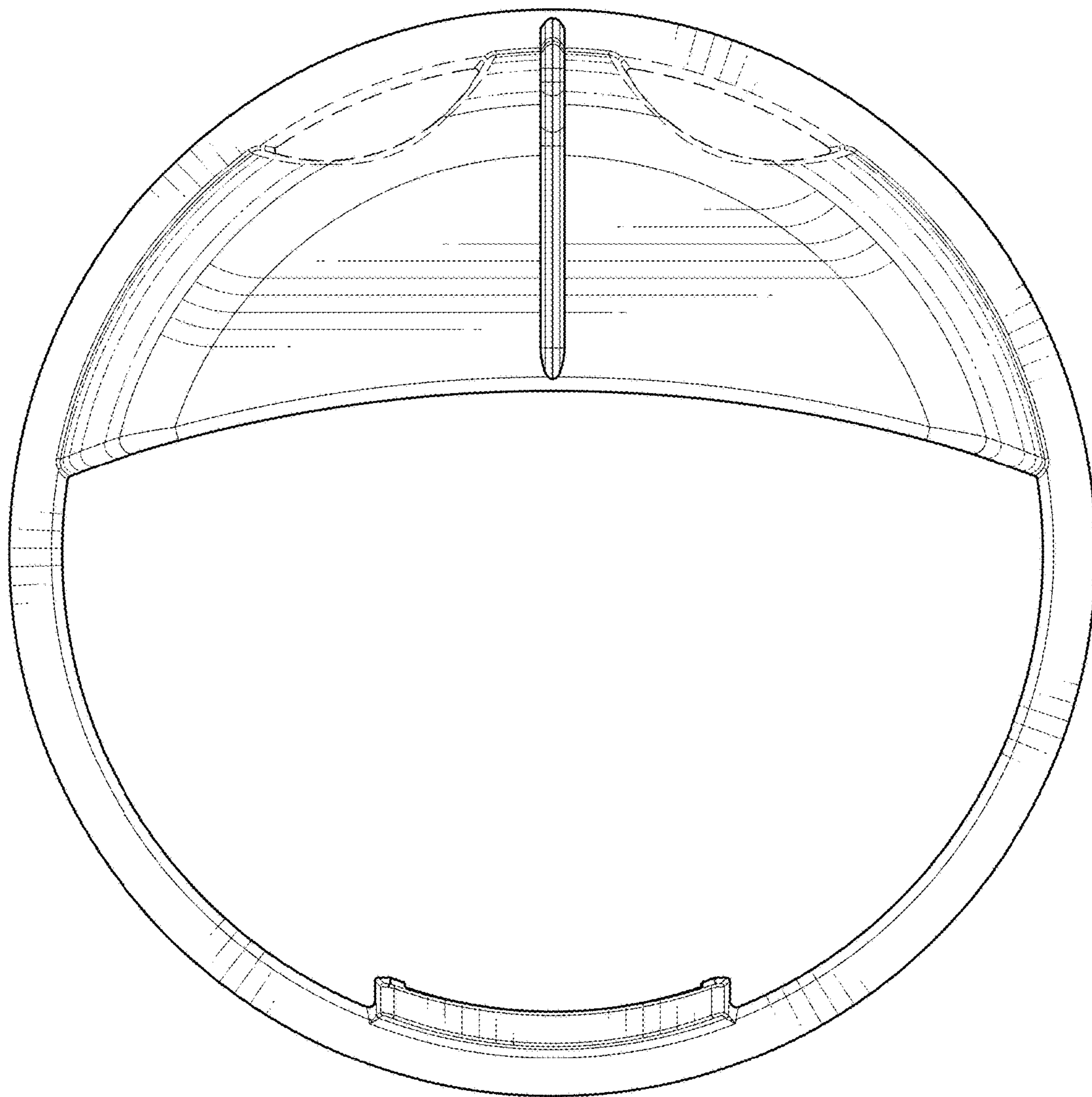


Fig. 10

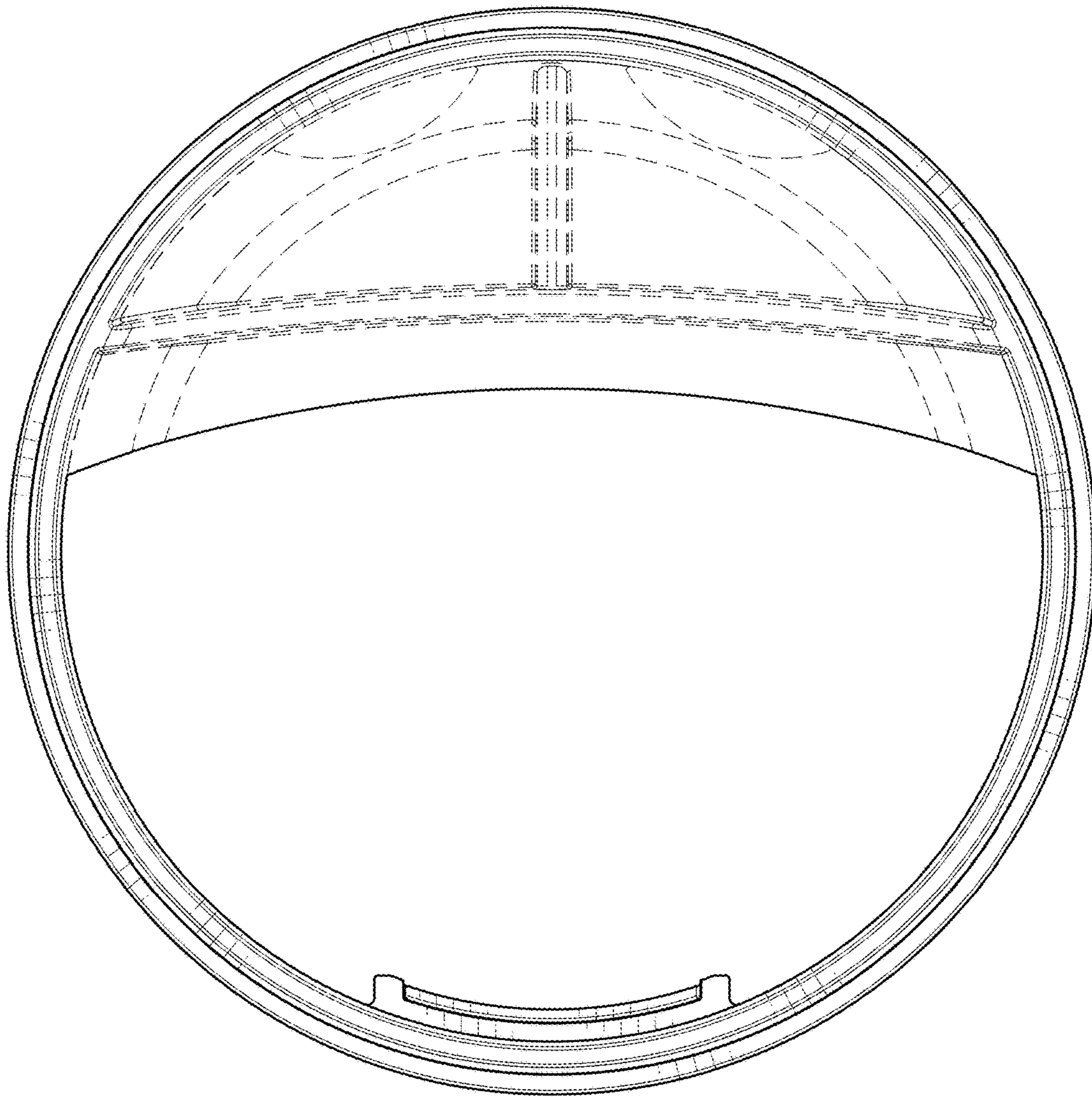


Fig. 11