



US00D778127S

(12) **United States Design Patent** (10) **Patent No.:** **US D778,127 S**
Chen (45) **Date of Patent:** **** Feb. 7, 2017**

(54) **SLOW JUICER**

(56) **References Cited**

(71) Applicant: **NINGBO NEW GUANLIAN MOTOR ELECTRONIC CO., LTD.**,
Ningbo, Zhejiang Province (CN)

U.S. PATENT DOCUMENTS

D594,717 S *	6/2009	Wu Chang	D7/665
D641,214 S *	7/2011	Choi	D7/665
D665,632 S *	8/2012	Kim	D7/665
D684,827 S *	6/2013	Kim	D7/665
D718,094 S *	11/2014	Yan	D7/665
2013/0255511 A1 *	10/2013	Steiner	A47J 19/02 99/513

(72) Inventor: **Jie Chen**, Ningbo (CN)

* cited by examiner

(73) Assignee: **Ningbo New Guanlian Motor Electronic Co., Ltd.**, Ningbo, Zhejiang Province (CN)

Primary Examiner — Terry Wallace

(**) Term: **15 Years**

(74) *Attorney, Agent, or Firm* — NK Patent Law, PLLC

(21) Appl. No.: **29/545,311**

(57) **CLAIM**

(22) Filed: **Nov. 11, 2015**

An ornamental design for a slow juicer, as shown and described.

(30) **Foreign Application Priority Data**

DESCRIPTION

May 15, 2015 (CN) 2015 3 0145116

(51) **LOC (10) Cl.** **31-00**

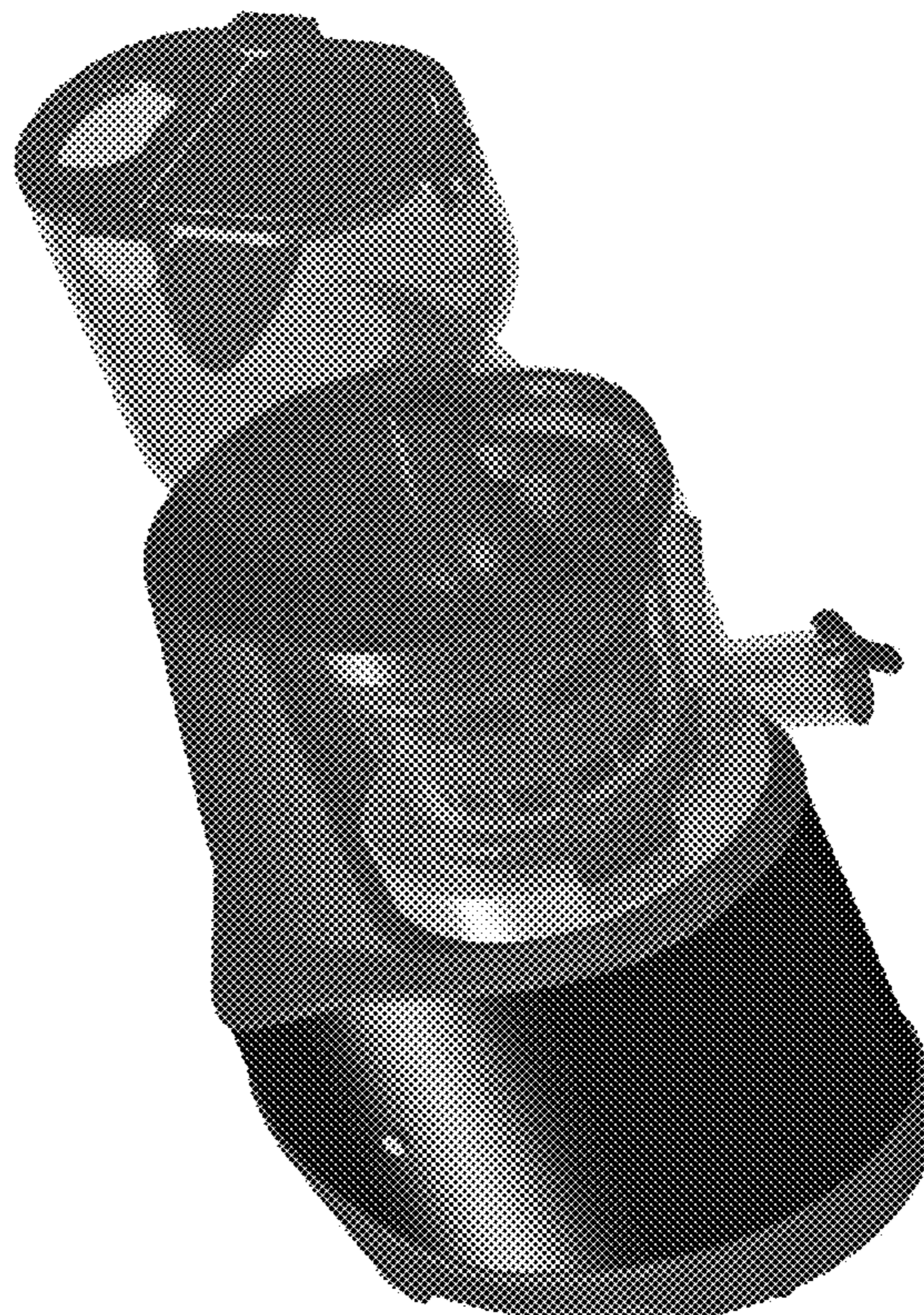
(52) **U.S. Cl.**
USPC **D7/665**

(58) **Field of Classification Search**
USPC D7/665-668, 372, 376, 381, 382
CPC A47J 19/02; A47J 19/027; A47J 19/00;
A47J 19/06; A47J 19/022; A47J 43/046;
A47J 43/0794; A23N 1/02; A23N 1/003

FIG. 1 is a perspective view of a slow juicer, showing my new design;
FIG. 2 is a perspective view thereof;
FIG. 3 is a front view thereof;
FIG. 4 is a rear view thereof;
FIG. 5 is a top view thereof;
FIG. 6 is a bottom view thereof;
FIG. 7 is a left side view thereof; and,
FIG. 8 is a right side view thereof.

See application file for complete search history.

1 Claim, 8 Drawing Sheets



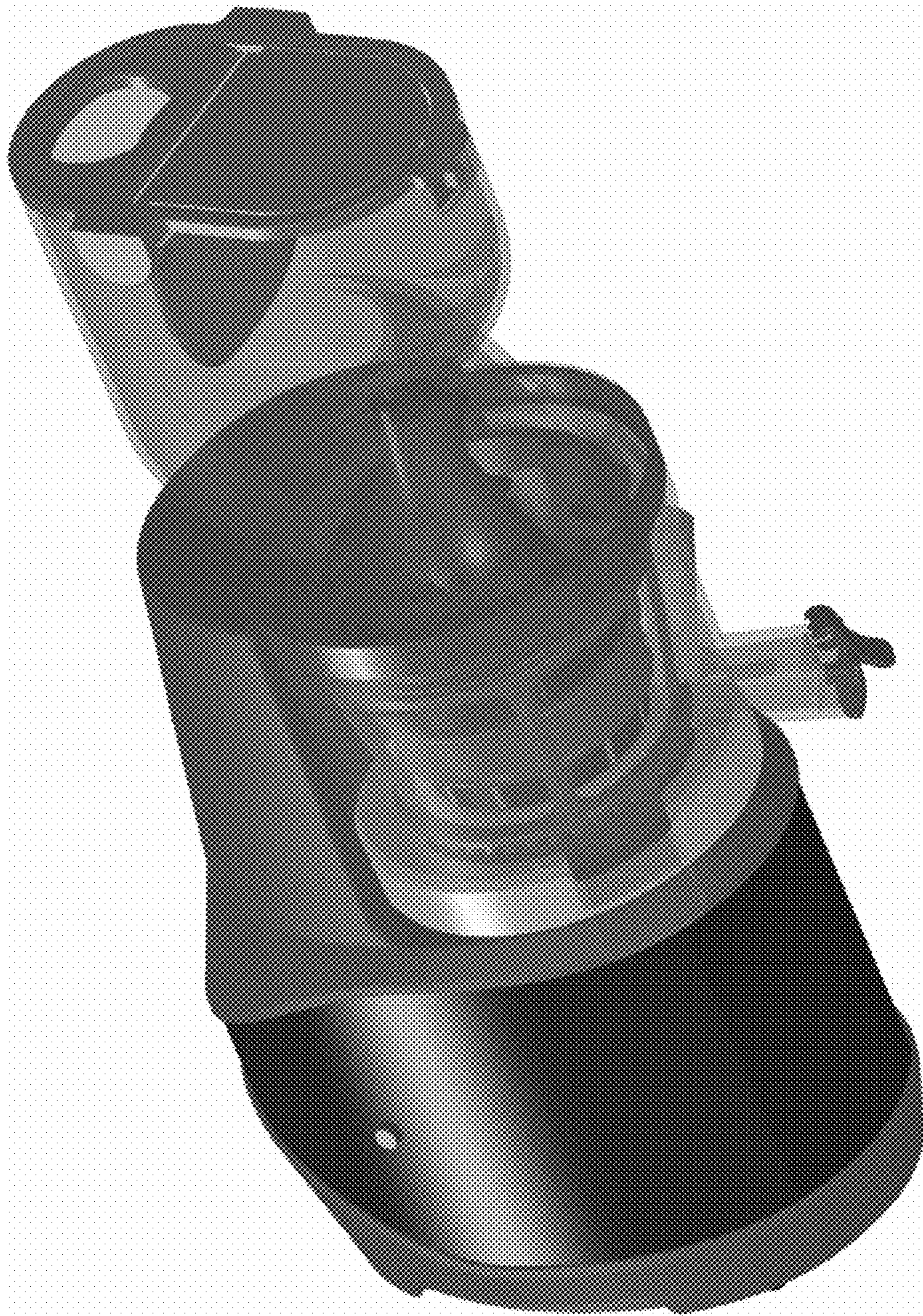


FIG. 1



FIG. 2

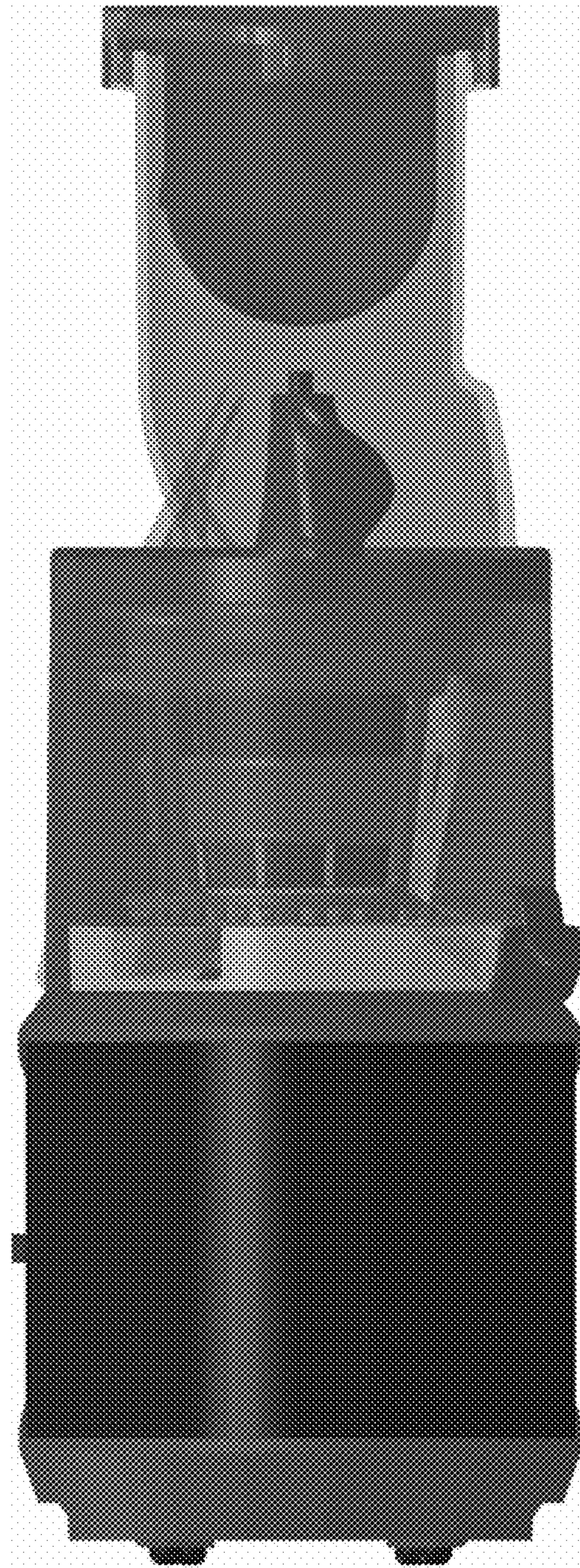


FIG. 3

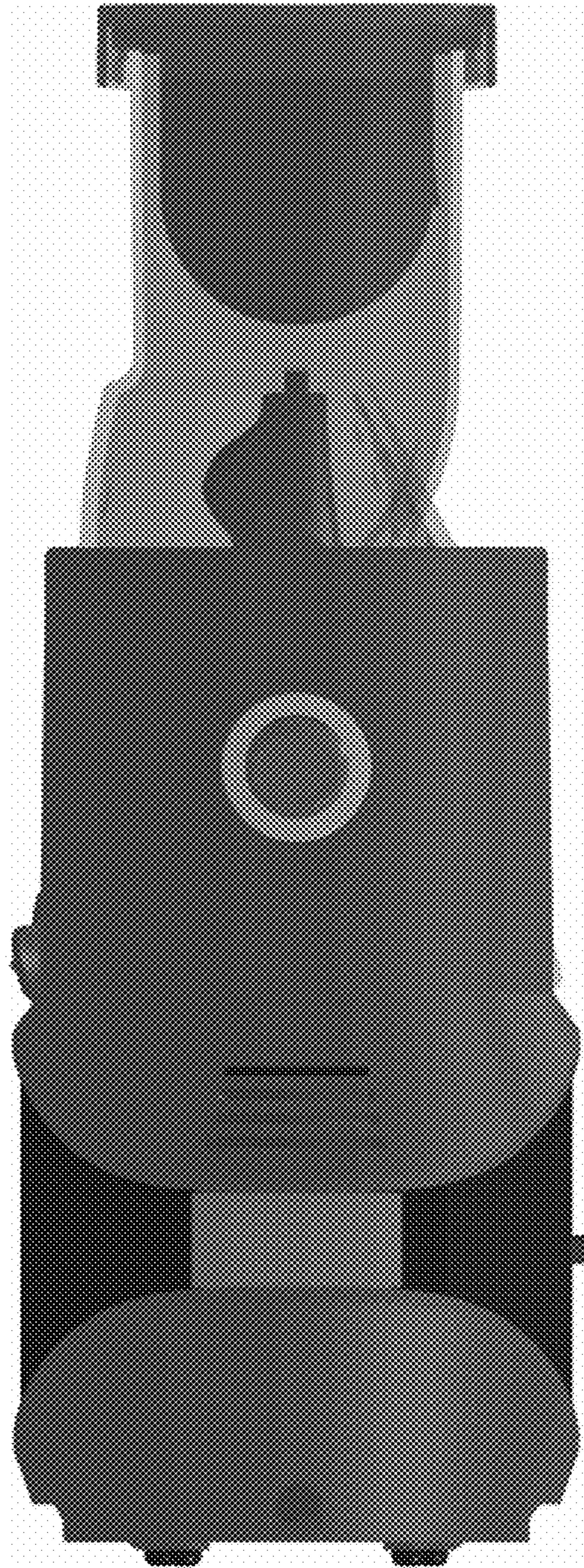


FIG. 4

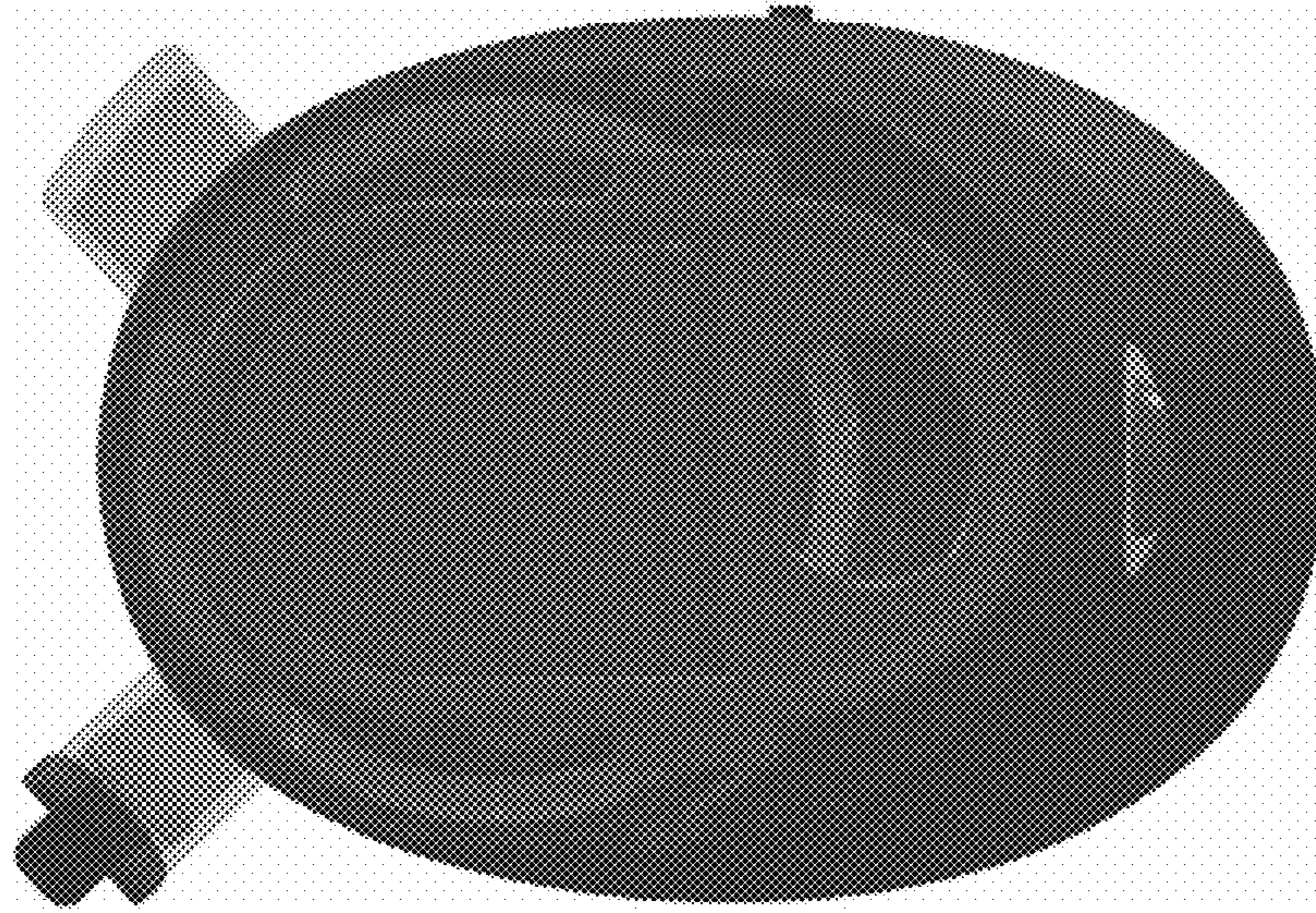


FIG. 5

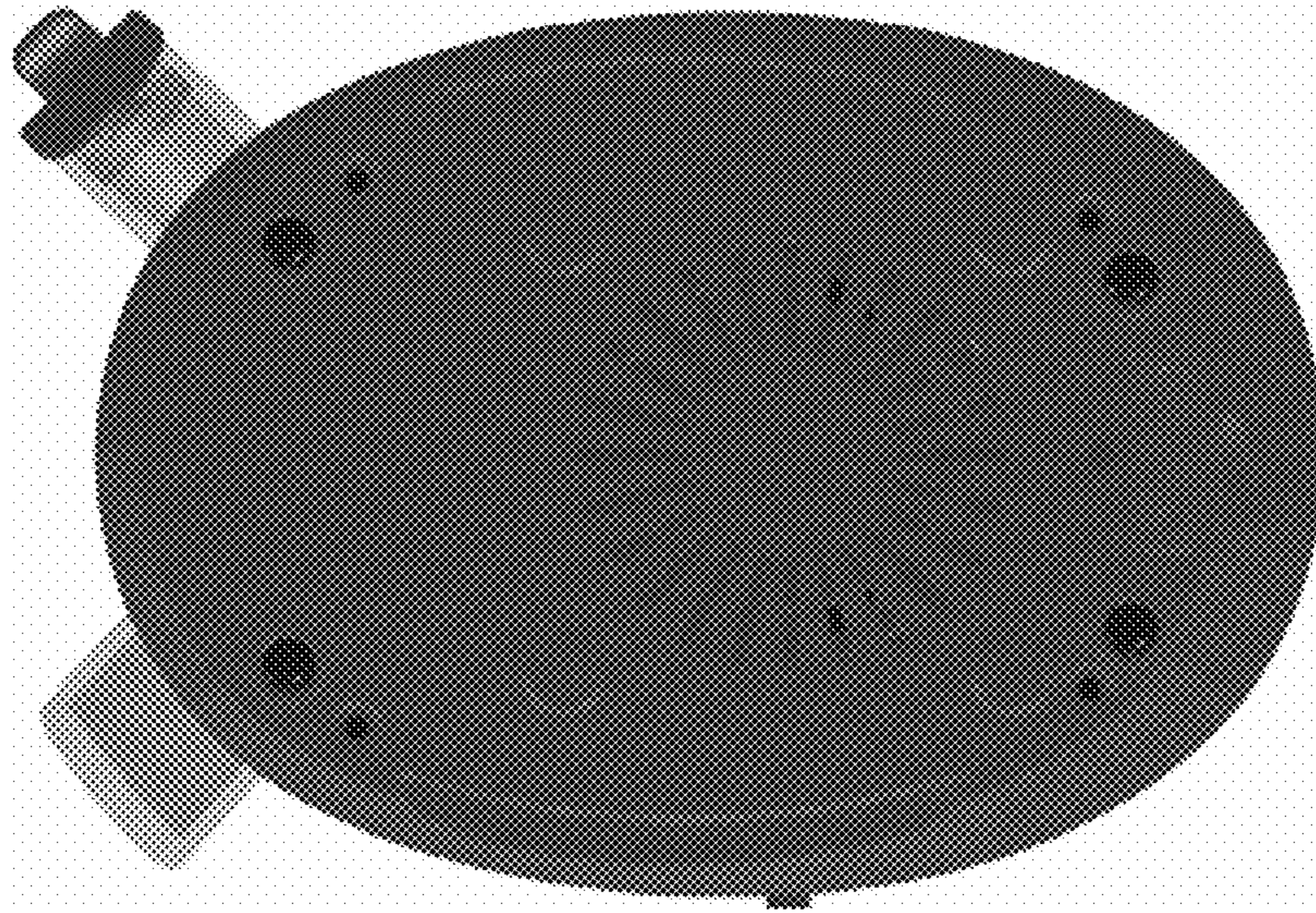


FIG. 6

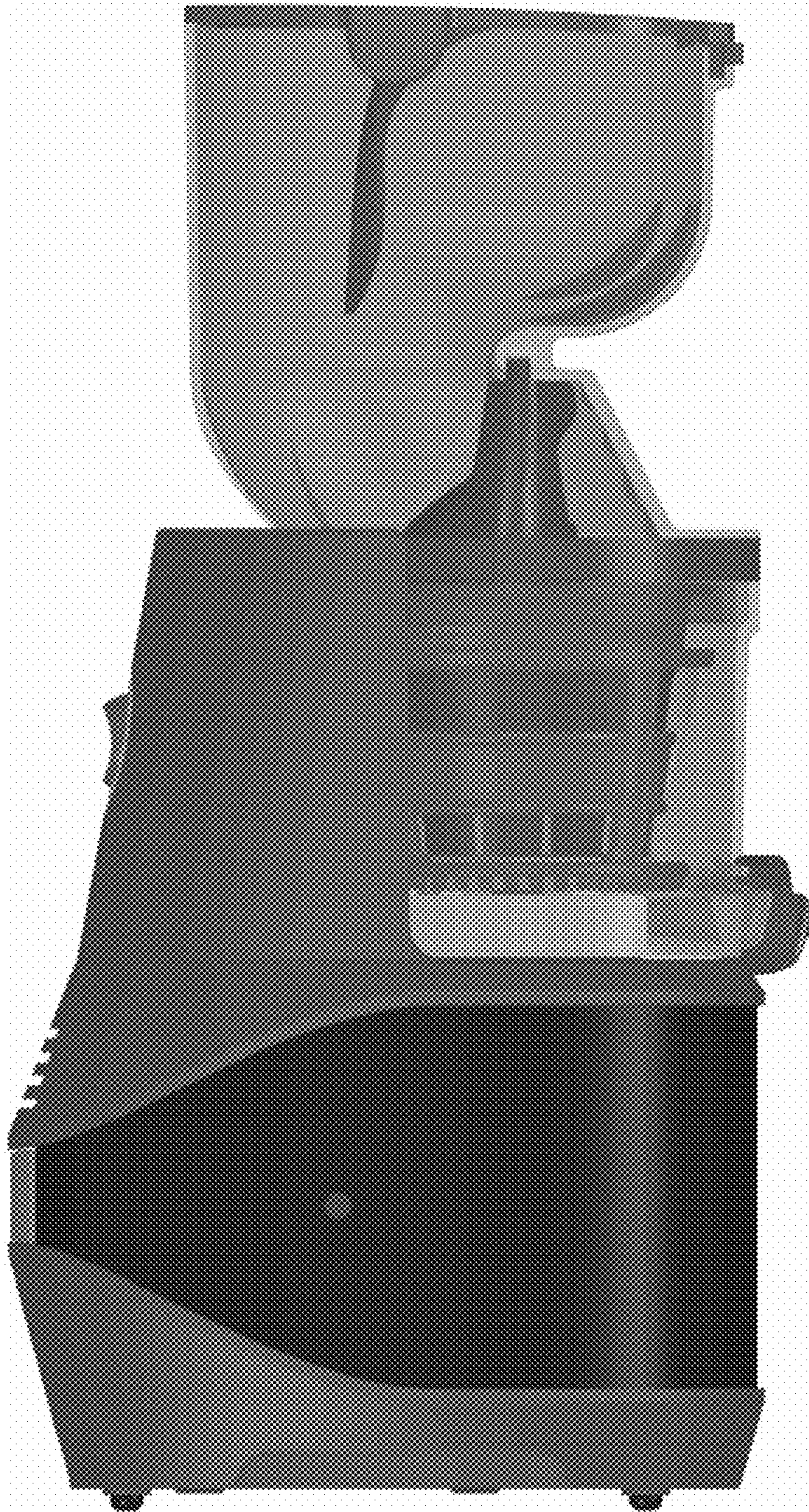


FIG. 7

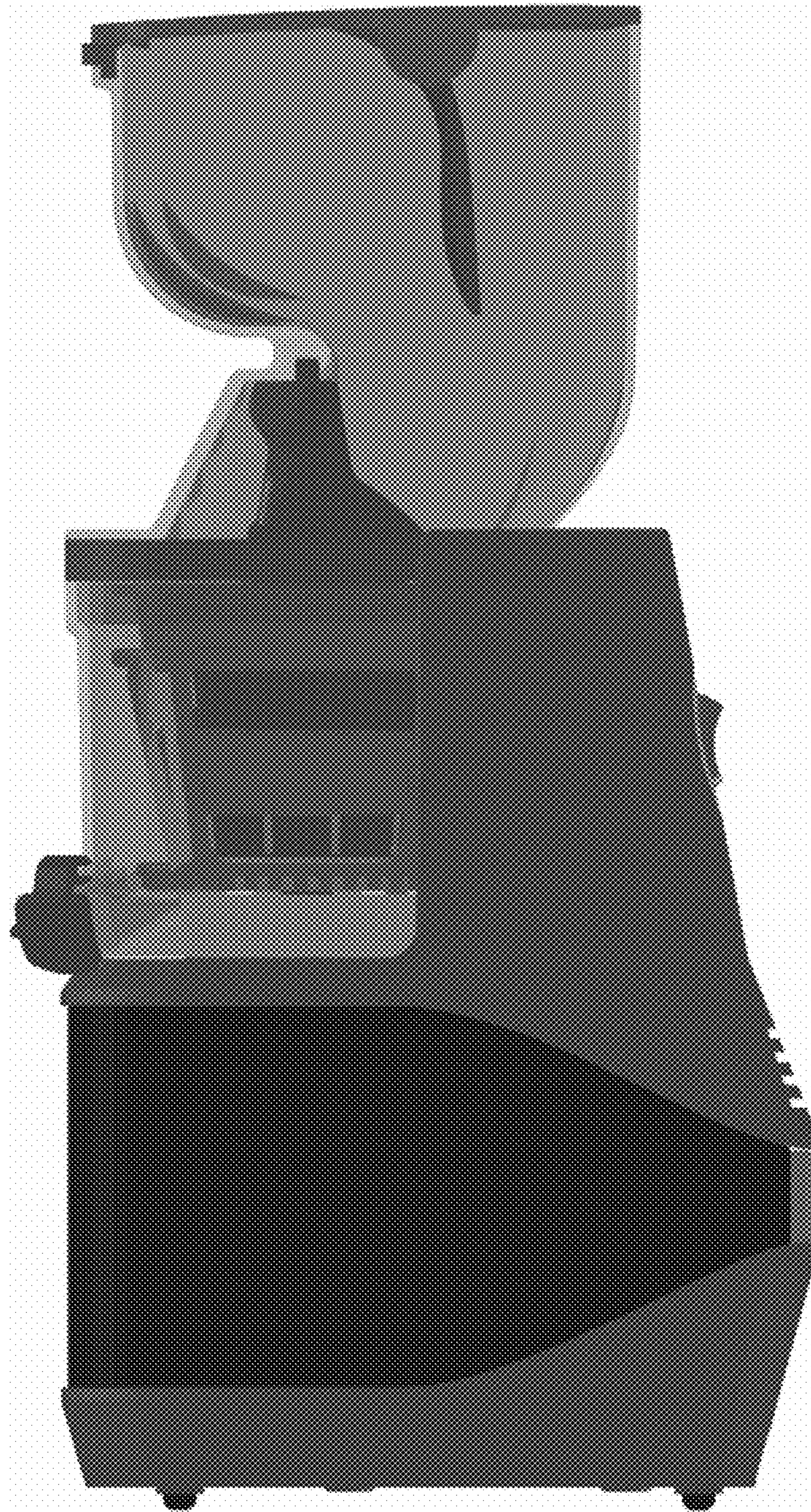


FIG. 8