



US00D778126S

(12) **United States Design Patent** (10) **Patent No.:** **US D778,126 S**
Sutherland (45) **Date of Patent:** **** Feb. 7, 2017**

(54) **VACUUM CHAMBER**
(71) Applicant: **ExtractCraft LLC**, Longmont, CO (US)
(72) Inventor: **Lee Sutherland**, Longmont, CO (US)
(73) Assignee: **ExtractCraft LLC**, Longmont, CO (US)
(**) Term: **15 Years**
(21) Appl. No.: **29/543,450**
(22) Filed: **Oct. 23, 2015**
(51) **LOC (10) Cl.** **31-00**
(52) **U.S. Cl.**
USPC **D7/665**
(58) **Field of Classification Search**
USPC D15/28; D7/368, 665-667, 412, D7/376-386, 372, 373, 375, 374; D24/121; 241/401.1-401.73, 285.1-285.3, 241/36, 37.5, 100, 282.1; 202/185.1; 203/95; 99/495, 501-513, 499, 348, 99/357, 349, 369, 370, 496, 497, 279, 99/280, 284, 290; 100/125, 213, 283, 218, 100/288, 208; 366/98, 142, 197-211, 366/241-254, 279-292, 341-347, 366/64-67
CPC A47J 19/02; A47J 19/027; A47J 19/00; A47J 19/06; A47J 19/022; A47J 44/00; A47J 44/02; A47J 43/00; A47J 43/25; A47J 43/046; A47J 43/0722; A47J 31/00; A47J 31/005; A47J 31/02; A47J 31/04; B01D 11/0211; B01D 11/0219; B01D 11/0296; B01D 8/00; B01D 3/02; B01D 3/04; B01D 5/006; B01J 19/126; B01J 2208/00442
See application file for complete search history.

(56) **References Cited**
U.S. PATENT DOCUMENTS
3,863,560 A * 2/1975 Indelicato A47J 19/02 100/105
D263,504 S * 3/1982 Fowles D24/121

D333,412 S * 2/1993 Levin D7/665
D333,870 S * 3/1993 Wells D24/169
D360,034 S * 7/1995 Wells D24/169
D632,919 S * 2/2011 Sang-Ho D7/306
D654,782 S * 2/2012 Peng D8/367
D679,012 S * 3/2013 Gleixner D24/133
D679,394 S * 4/2013 Gleixner D24/133
D699,521 S * 2/2014 Wu D7/665
D734,646 S * 7/2015 Steiner D7/665
D740,621 S * 10/2015 Fouquet D7/665
D755,580 S * 5/2016 Bock D7/665
D762,424 S * 8/2016 Kim D7/665
2013/0240347 A1 * 9/2013 Hackleman B01D 8/00 203/95
2014/0121391 A1 * 5/2014 Murphy B01D 11/02 554/8
2015/0375136 A1 * 12/2015 Swan C11B 9/027 202/170

* cited by examiner

Primary Examiner — Mark Goodwin
(74) *Attorney, Agent, or Firm* — Robert N. Lyman

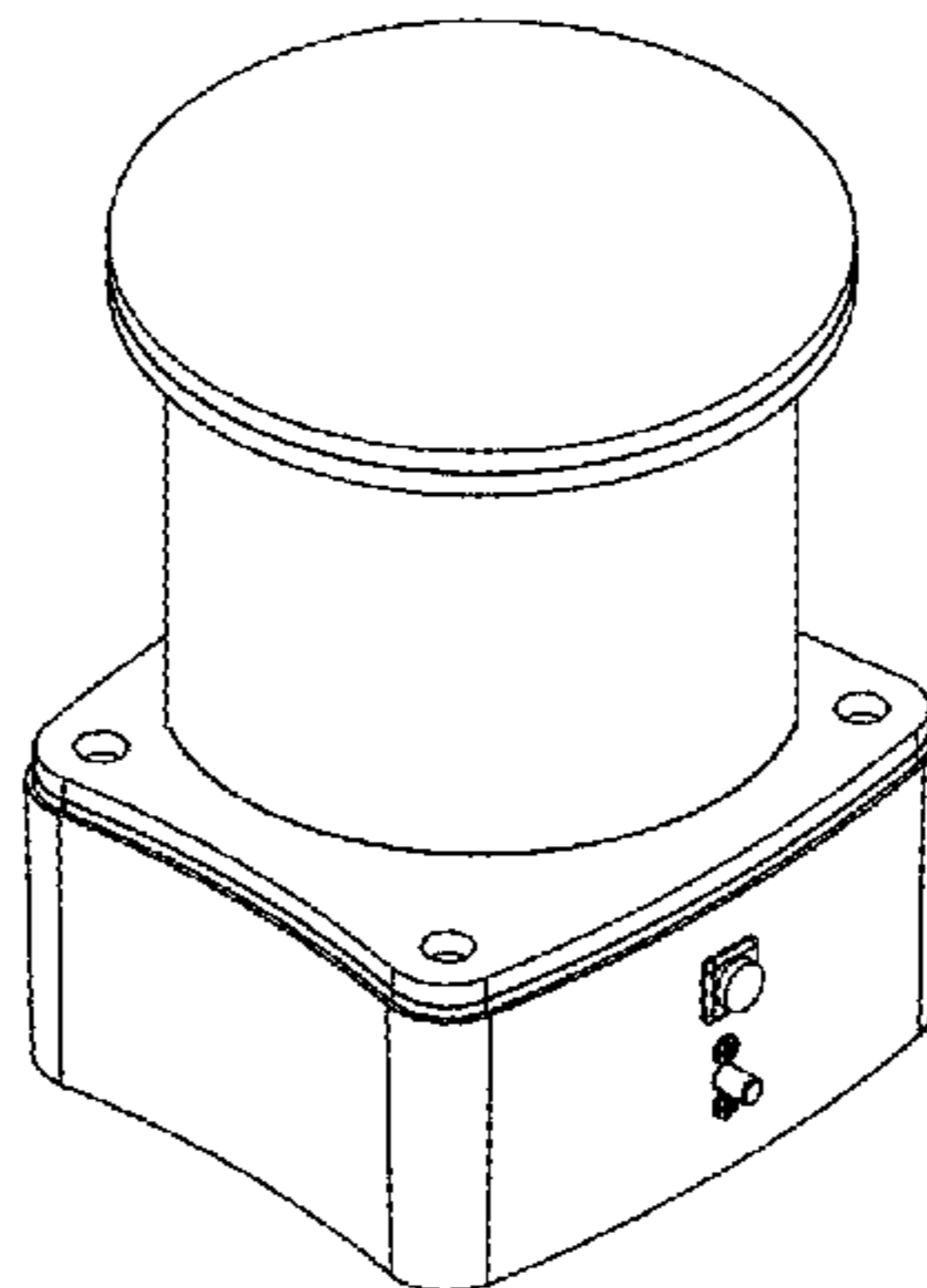
(57) **CLAIM**

The ornamental design for a vacuum chamber, as shown and described.

DESCRIPTION

FIG. 1 is a view of the left side of a vacuum chamber in accordance with the present design;
FIG. 2 is a rear view thereof;
FIG. 3 is right side view thereof;
FIG. 4 is a front view thereof;
FIG. 5 is a top view thereof;
FIG. 6 is a bottom view thereof; and,
FIG. 7 is a perspective view thereof, showing the top, right side, and front of the vacuum chamber in accordance with the present design.

1 Claim, 2 Drawing Sheets



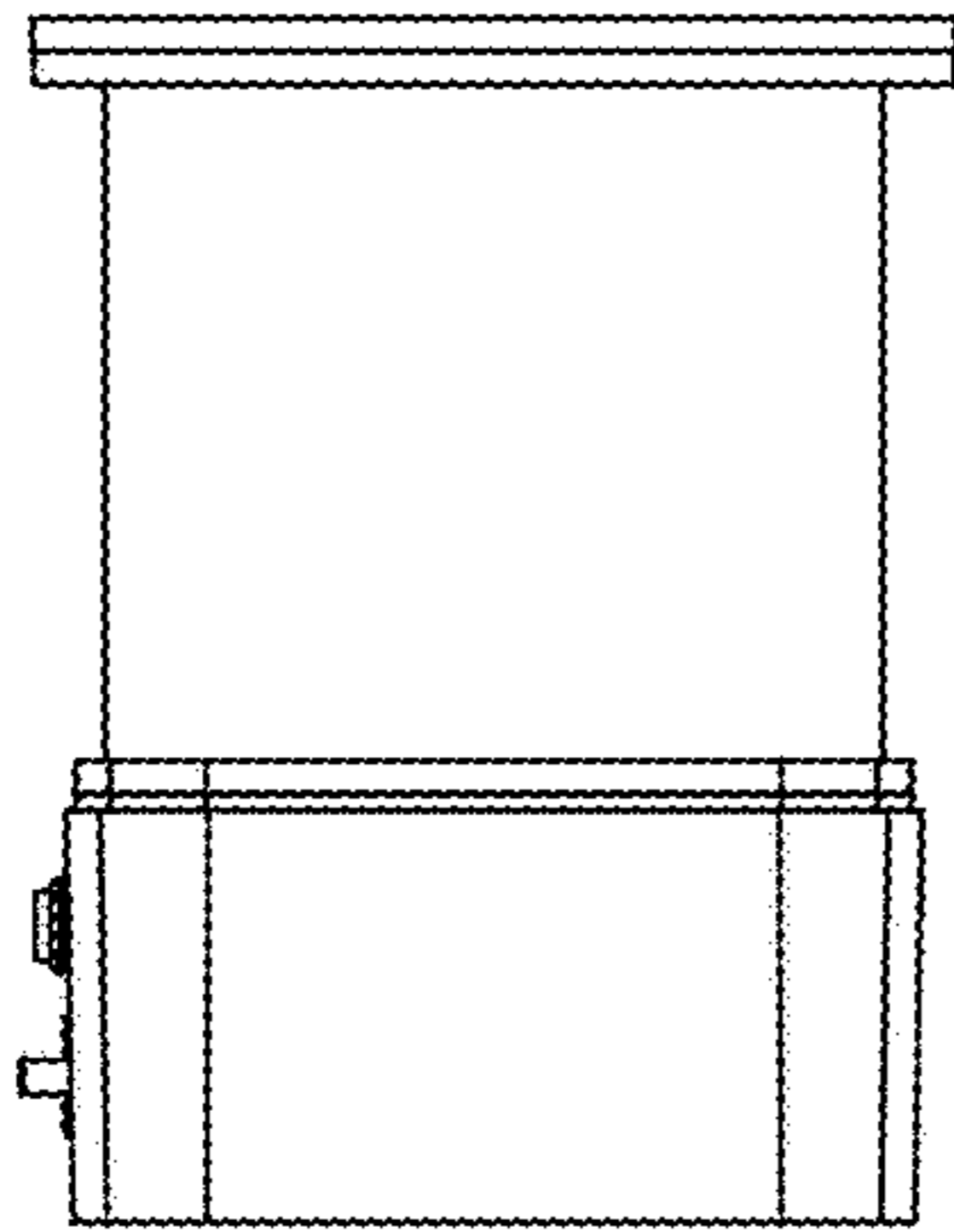


FIG. 1

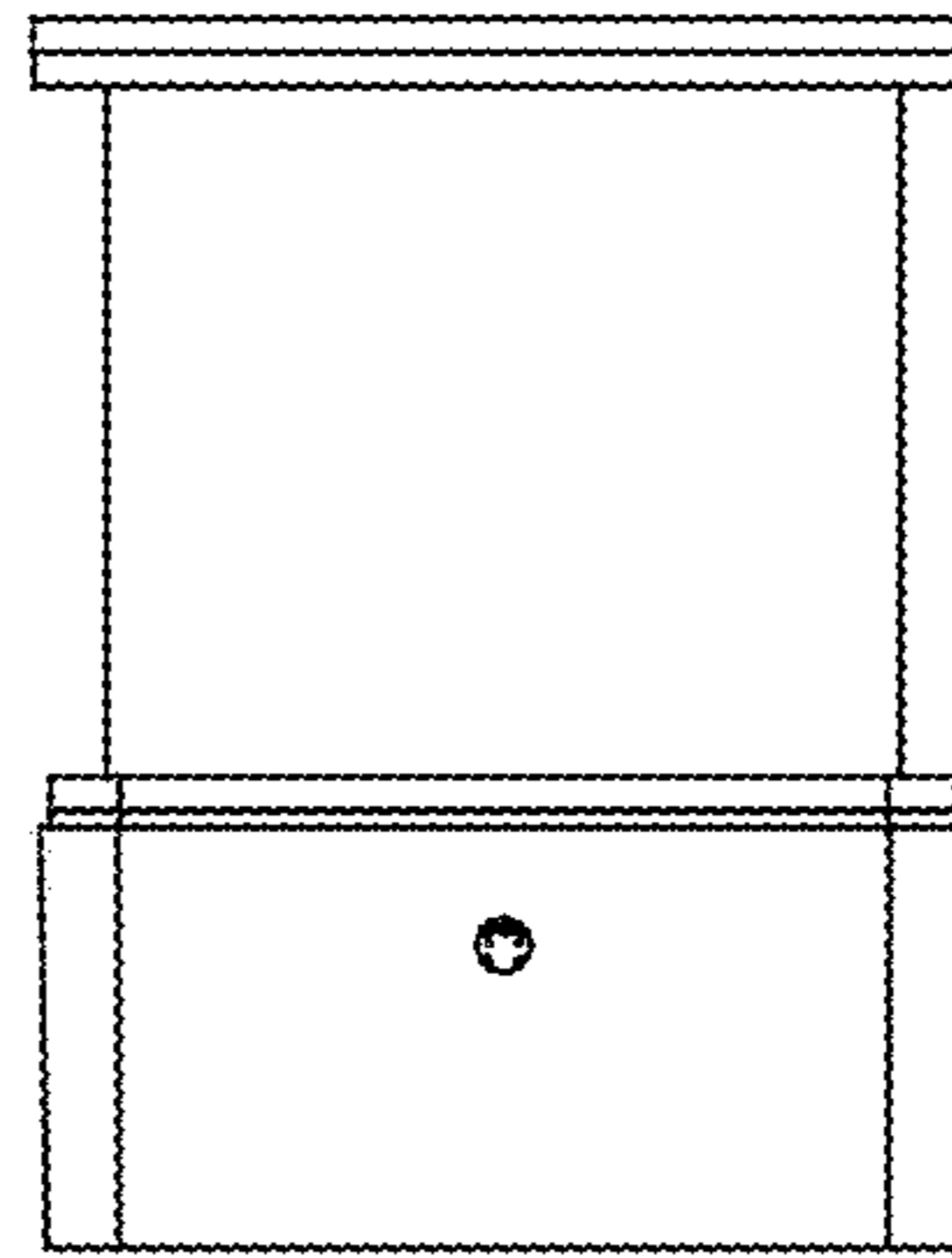


FIG. 2

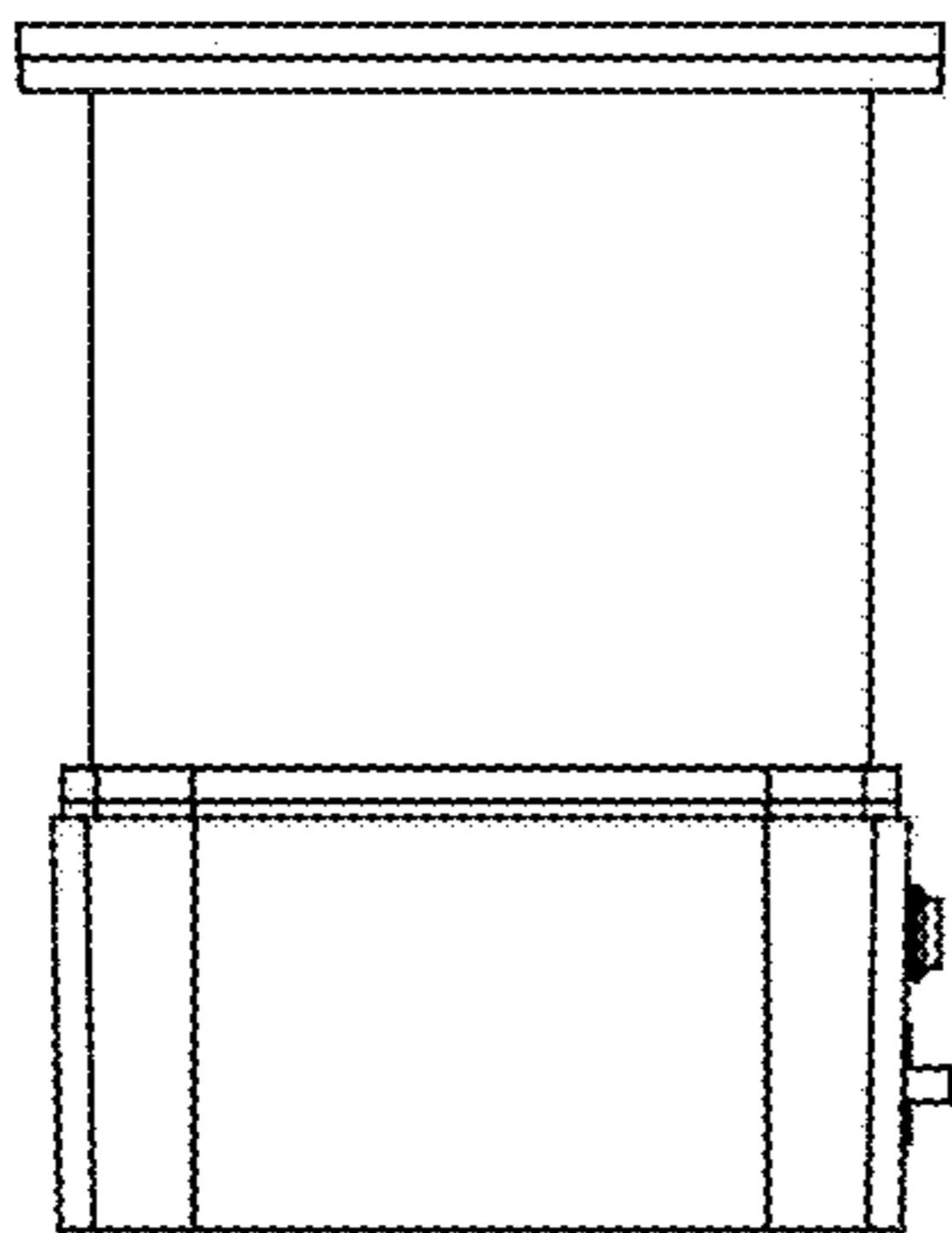


FIG. 3

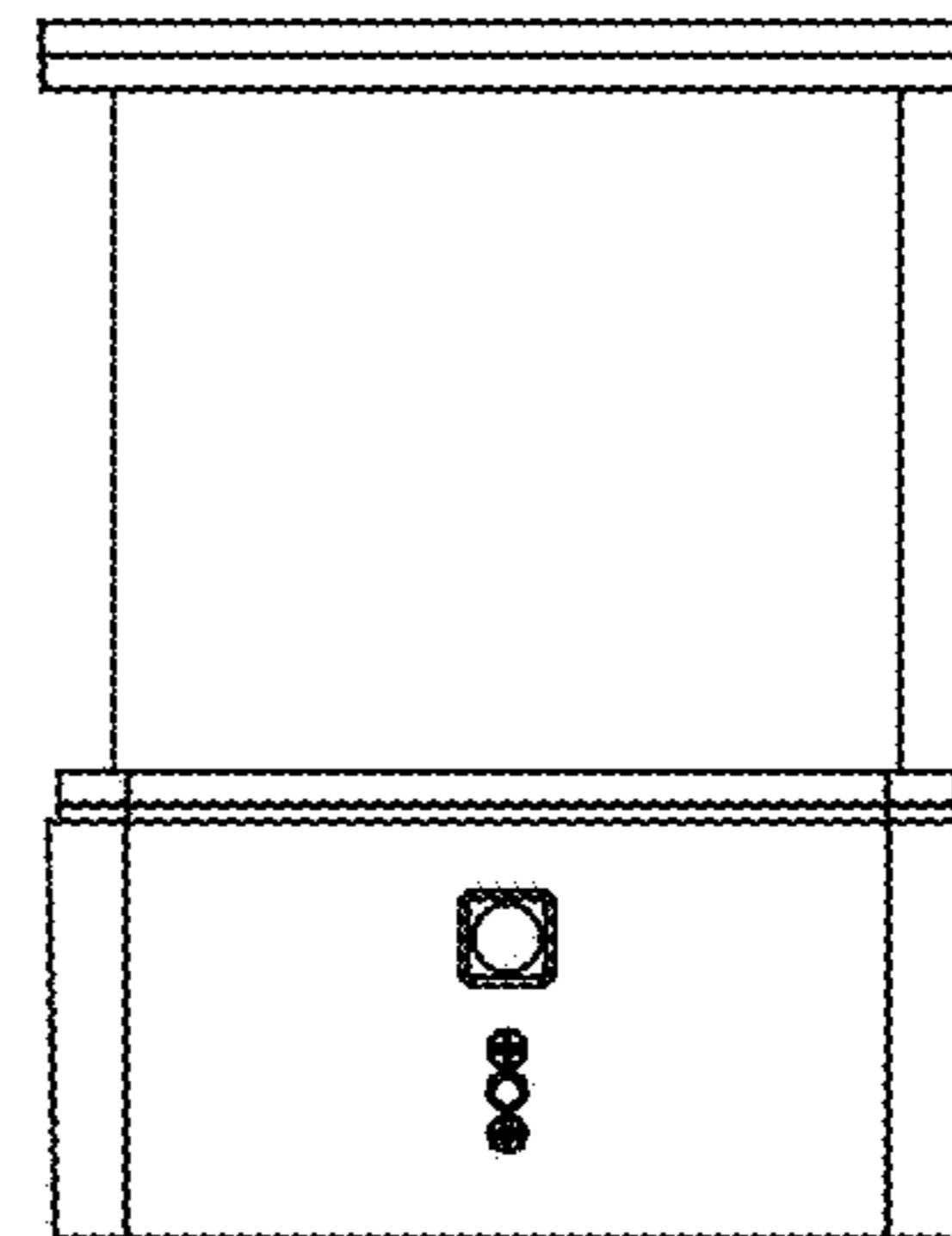


FIG. 4

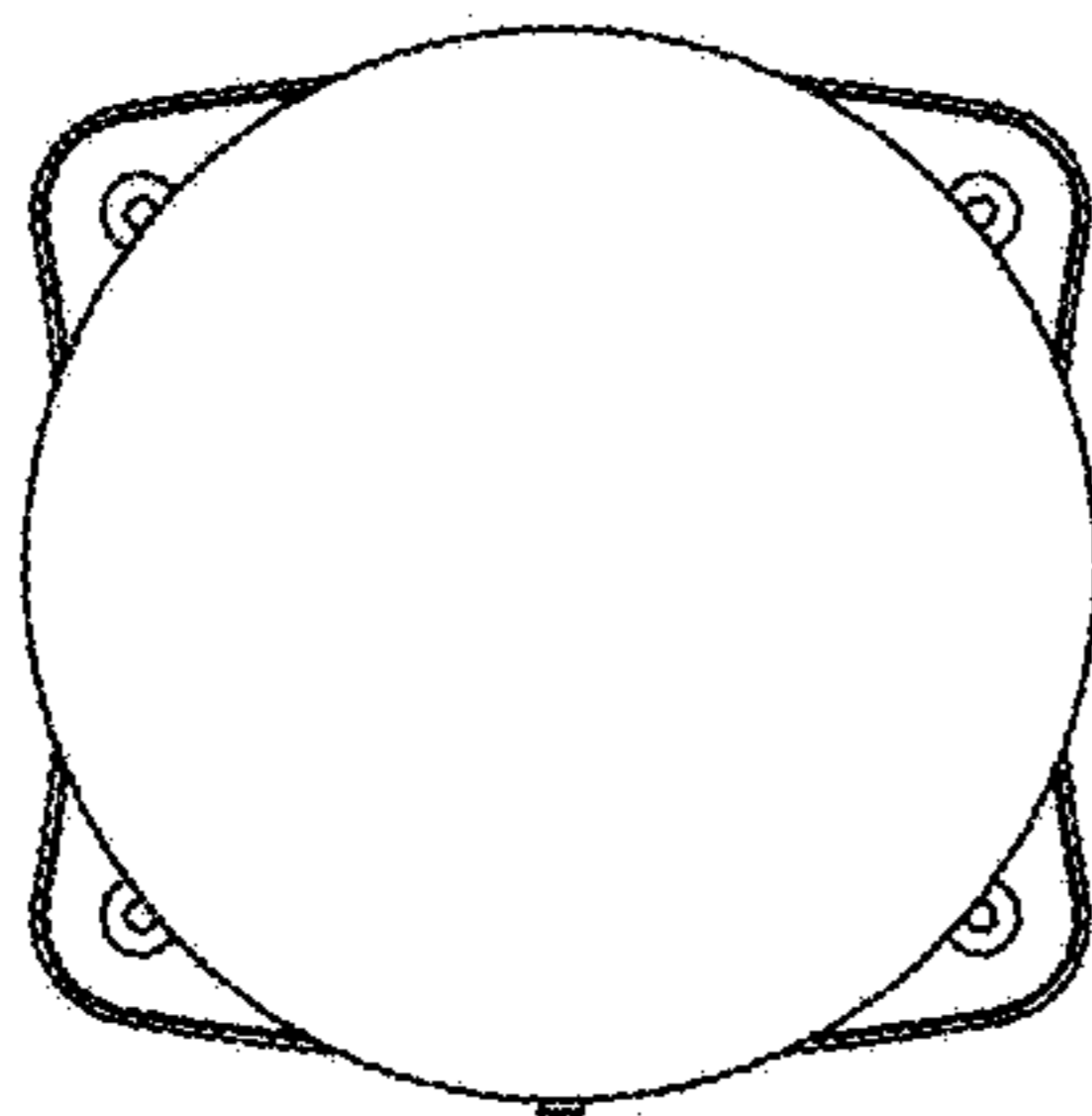


FIG. 5

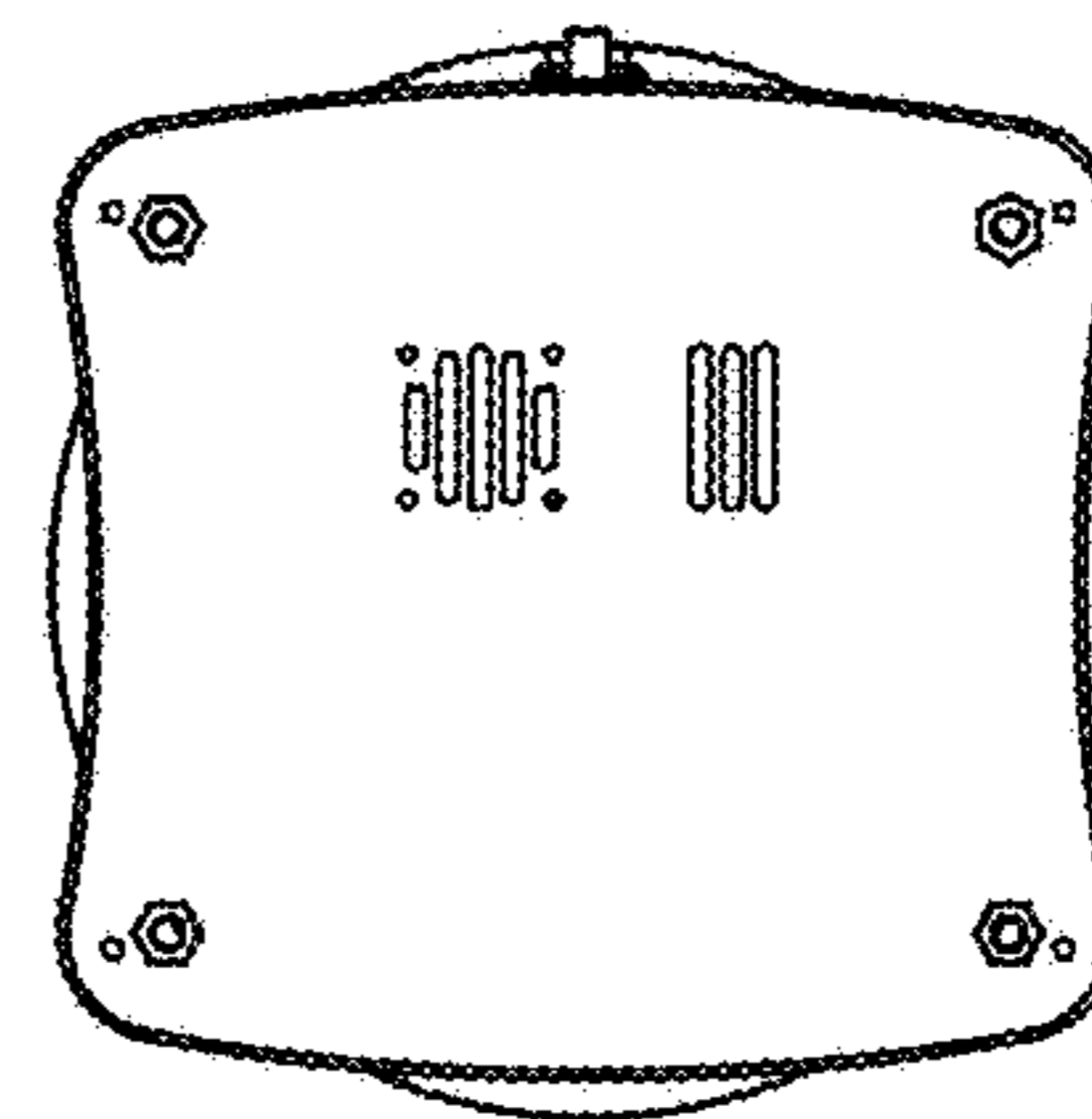


FIG. 6

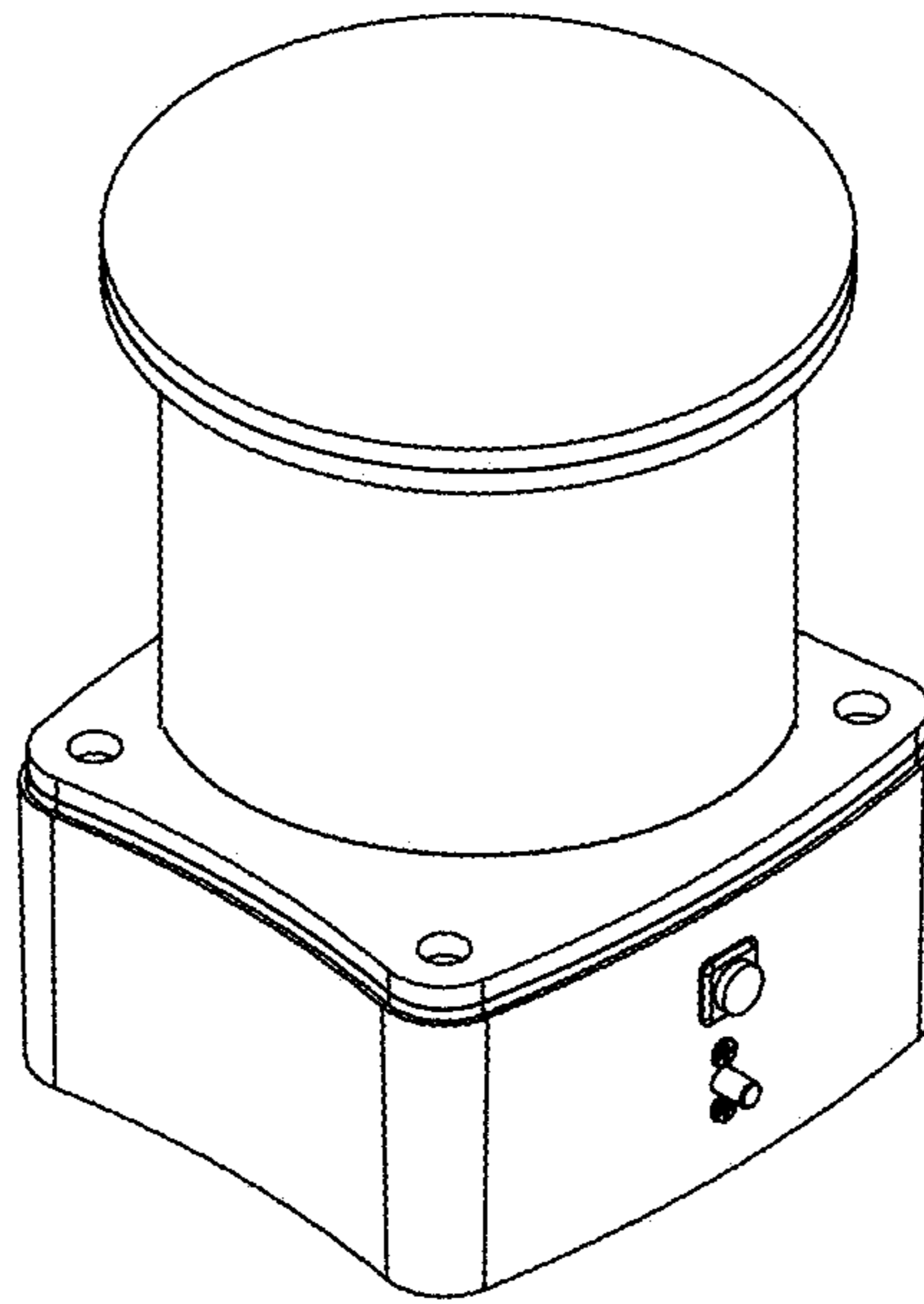


FIG. 7