



US00D778125S

(12) **United States Design Patent**
Metaxatos et al.

(10) **Patent No.:** **US D778,125 S**

(45) **Date of Patent:** **** Feb. 7, 2017**

(54) **BEVERAGE EXTRACTOR**

(71) Applicant: **Coravin, Inc.**, Burlington, MA (US)

(72) Inventors: **Paul K. Metaxatos**, Swampscott, MA (US); **Steffen F. Koury**, Everett, MA (US); **Nicholas Varjabedian**, Middleborough, MA (US)

(73) Assignee: **Coravin, Inc.**, Burlington, MA (US)

(**) Term: **14 Years**

(21) Appl. No.: **29/511,232**

(22) Filed: **Dec. 8, 2014**

(51) **LOC (10) Cl.** **07-04**

(52) **U.S. Cl.**
USPC **D7/665**

(58) **Field of Classification Search**
USPC D7/368, 372-374, 378, 665-667; 99/359, 99/369, 501; 100/208, 213; 241/100
CPC A47J 19/00; A47J 19/02; A47J 19/025; A47J 19/027; A47J 44/02; A47J 31/00
See application file for complete search history.

(56) **References Cited**

U.S. PATENT DOCUMENTS

D249,441 S *	9/1978	Fukumoto	D7/665
D268,245 S	3/1983	Makino et al.		
D276,788 S	12/1984	Ravreby		
D288,521 S	3/1987	Van Asten		
D290,329 S *	6/1987	Bulto	D7/665
4,791,834 A	12/1988	Federighi		
D309,082 S *	7/1990	Hattle	D7/384
5,012,703 A	5/1991	Reinbacher		
5,020,395 A	6/1991	Mackey		
D319,169 S	8/1991	Van Asten		
D332,899 S *	2/1993	Shun	D7/666

D333,412 S *	2/1993	Levin	D7/665
D333,947 S *	3/1993	Markee	D7/665
D341,522 S *	11/1993	Lamson	D7/665
D343,097 S *	1/1994	Cesari	D7/665
D428,778 S *	8/2000	Kao	D7/666
D439,808 S *	4/2001	McClellan	D7/665
D463,236 S	9/2002	Mauffette		
D464,241 S	10/2002	Sun		
D464,535 S *	10/2002	O'Flynn	D7/666
6,477,920 B1	11/2002	Yang		
D466,772 S	12/2002	Mauffette		
6,502,481 B1	1/2003	Lin		
D471,408 S *	3/2003	Fouquet	D7/665
D471,778 S	3/2003	Federighi		
D477,757 S	7/2003	Yu		
D488,678 S *	4/2004	Berthier	D7/665

(Continued)

Primary Examiner — Rosemary K Tarcza

Assistant Examiner — James Thorn, Sr.

(74) *Attorney, Agent, or Firm* — Wolf, Greenfield & Sacks, P.C.

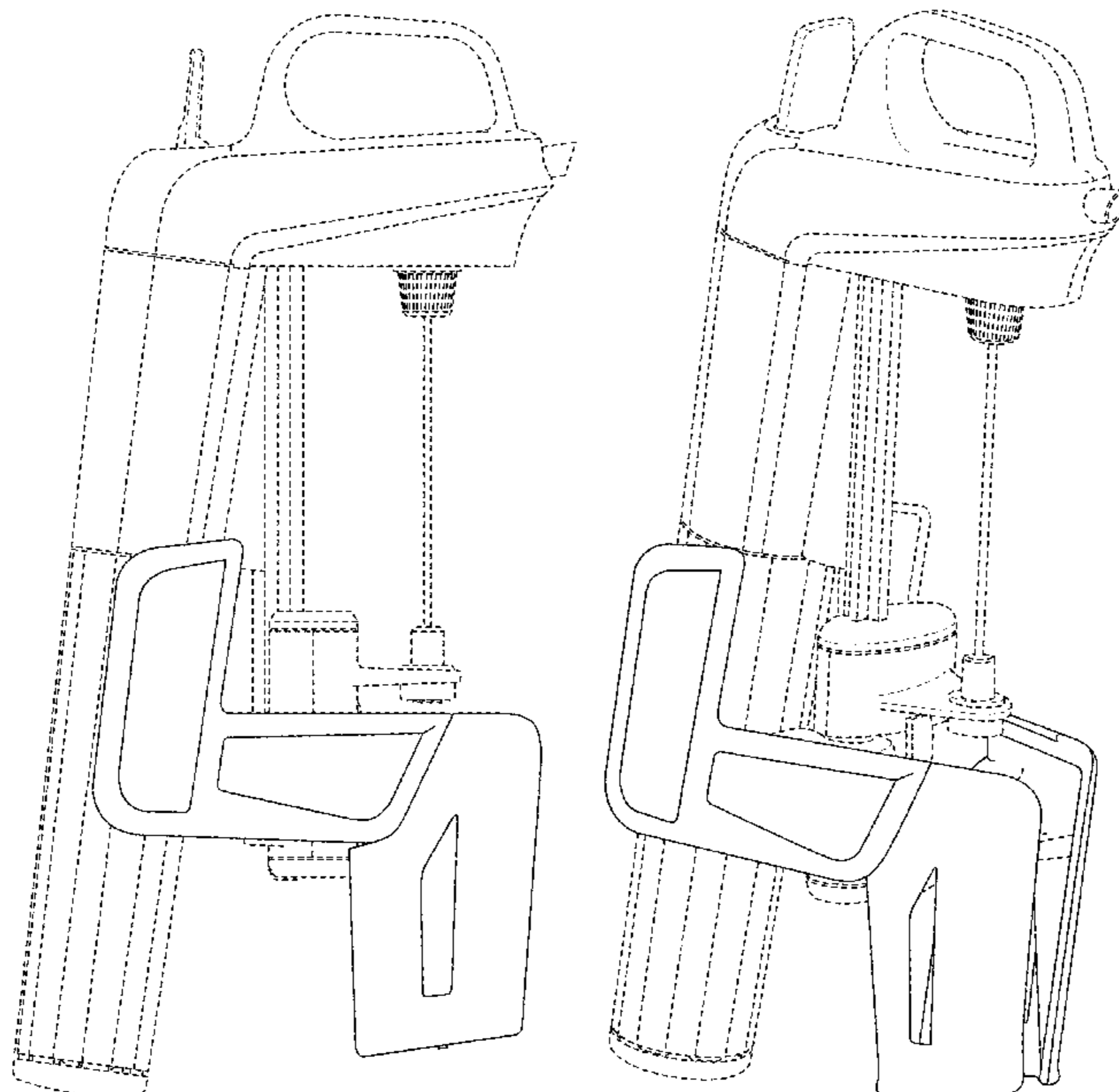
(57) **CLAIM**

The ornamental design for a beverage extractor, as shown and described.

DESCRIPTION

FIG. 1 is a left side view of a beverage extractor showing our new design, the right side view being a mirror image thereof; FIG. 2 is a front elevation view thereof; FIG. 3 is a rear elevation view thereof; FIG. 4 is a top plan view thereof; FIG. 5 is a bottom plan view thereof; FIG. 6 is a top, front, left side perspective view thereof; and, FIG. 7 is a top, rear, left side perspective view thereof. The dashed broken lines of the figures represent unclaimed portions of the beverage extractor and form no part of the claimed design.

1 Claim, 7 Drawing Sheets



(56)

References Cited

U.S. PATENT DOCUMENTS

D491,423 S * 6/2004 Stamper, III D7/665
 D498,642 S * 11/2004 Huang D7/378
 D501,370 S * 2/2005 Hensel D7/665
 D512,882 S * 12/2005 Hsu D7/665
 D513,943 S * 1/2006 Hsu D7/665
 D521,813 S * 5/2006 Piret D7/665
 D522,321 S * 6/2006 Hsu D7/665
 D528,873 S * 9/2006 Hensel D7/665
 D537,303 S * 2/2007 Stuckey D7/378
 D538,115 S * 3/2007 Lin D7/665
 D538,116 S * 3/2007 Siu D7/665
 D539,624 S 4/2007 Boussemart et al.
 D561,547 S 2/2008 Lee et al.
 D601,391 S * 10/2009 Chiang D7/665
 D610,416 S 2/2010 Kushner et al.
 7,712,637 B2 5/2010 Lambrecht
 D616,716 S 6/2010 Chan
 D618,049 S * 6/2010 Wu D7/376
 D623,908 S * 9/2010 Wu D7/665
 D637,863 S * 5/2011 Wu D7/376
 D637,864 S * 5/2011 Wu D7/376
 D638,256 S * 5/2011 Wu D7/376
 D638,665 S * 5/2011 Wu D7/378
 D641,214 S * 7/2011 Choi D7/665

D643,265 S * 8/2011 Kim D7/665
 8,141,746 B2 3/2012 Lambrecht
 D660,660 S * 5/2012 Kim D7/666
 D665,632 S * 8/2012 Kim D7/665
 D682,629 S * 5/2013 Bachmann D7/665
 D689,353 S 9/2013 Dockser et al.
 D700,477 S * 3/2014 Kim D7/412
 D710,659 S * 8/2014 Marquez D7/665
 D716,615 S * 11/2014 Grossman D7/665
 D717,578 S * 11/2014 Lazaris D7/300
 D717,613 S * 11/2014 Wong D7/666
 D718,094 S * 11/2014 Yan D7/665
 D721,549 S * 1/2015 Li D7/666
 D733,504 S * 7/2015 Choi D7/665
 D733,505 S * 7/2015 Choi D7/665
 D739,686 S * 9/2015 Benoit D7/665
 D740,080 S * 10/2015 Shao D7/665
 D741,119 S * 10/2015 Wong D7/665
 D742,183 S * 11/2015 Kim D7/665
 D755,554 S * 5/2016 Lazaris D7/300
 2003/0033907 A1 2/2003 Lian
 2004/0226409 A1 11/2004 Lin
 2011/0056998 A1 3/2011 Lambrecht
 2016/0044951 A1 * 2/2016 Bucklew A23N 1/003
 426/489
 2016/0066616 A1 * 3/2016 Yamaguchi A47J 19/027
 99/510

* cited by examiner

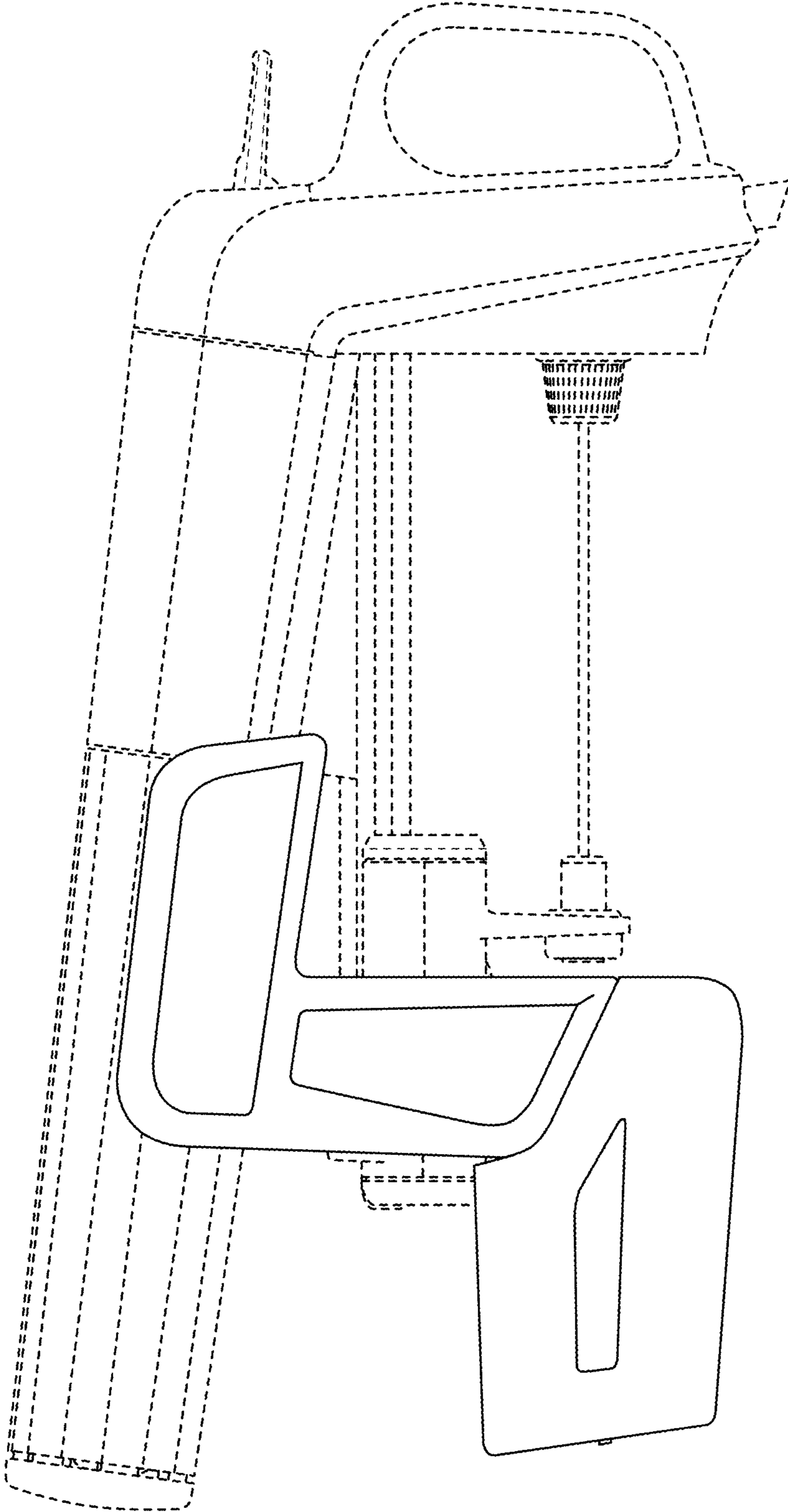


FIG. 1

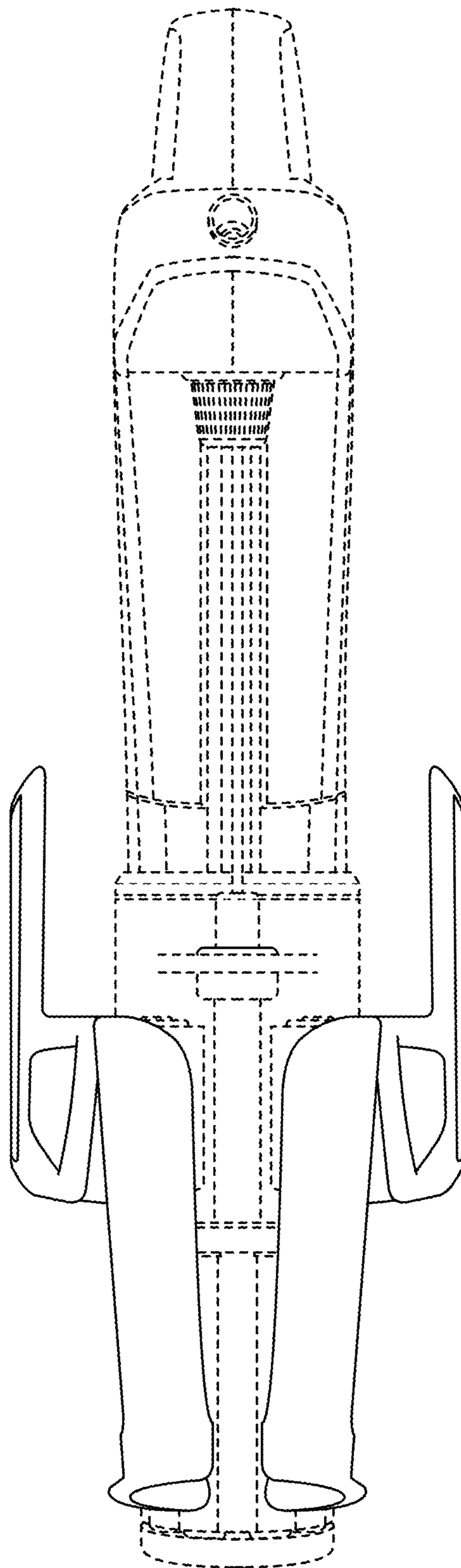


FIG. 2

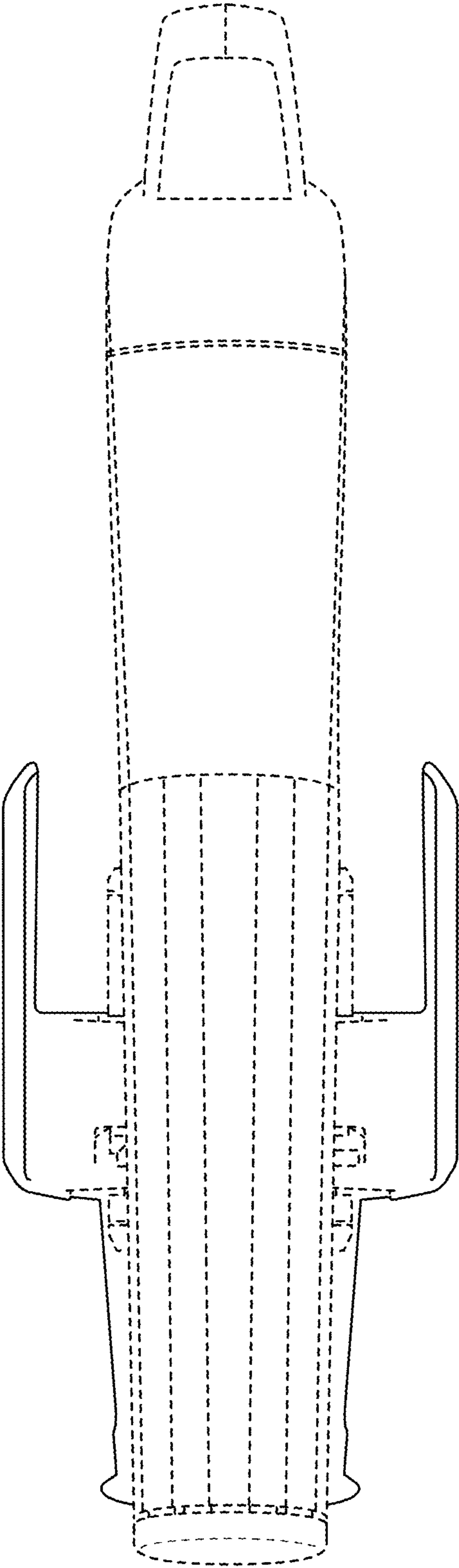


FIG. 3

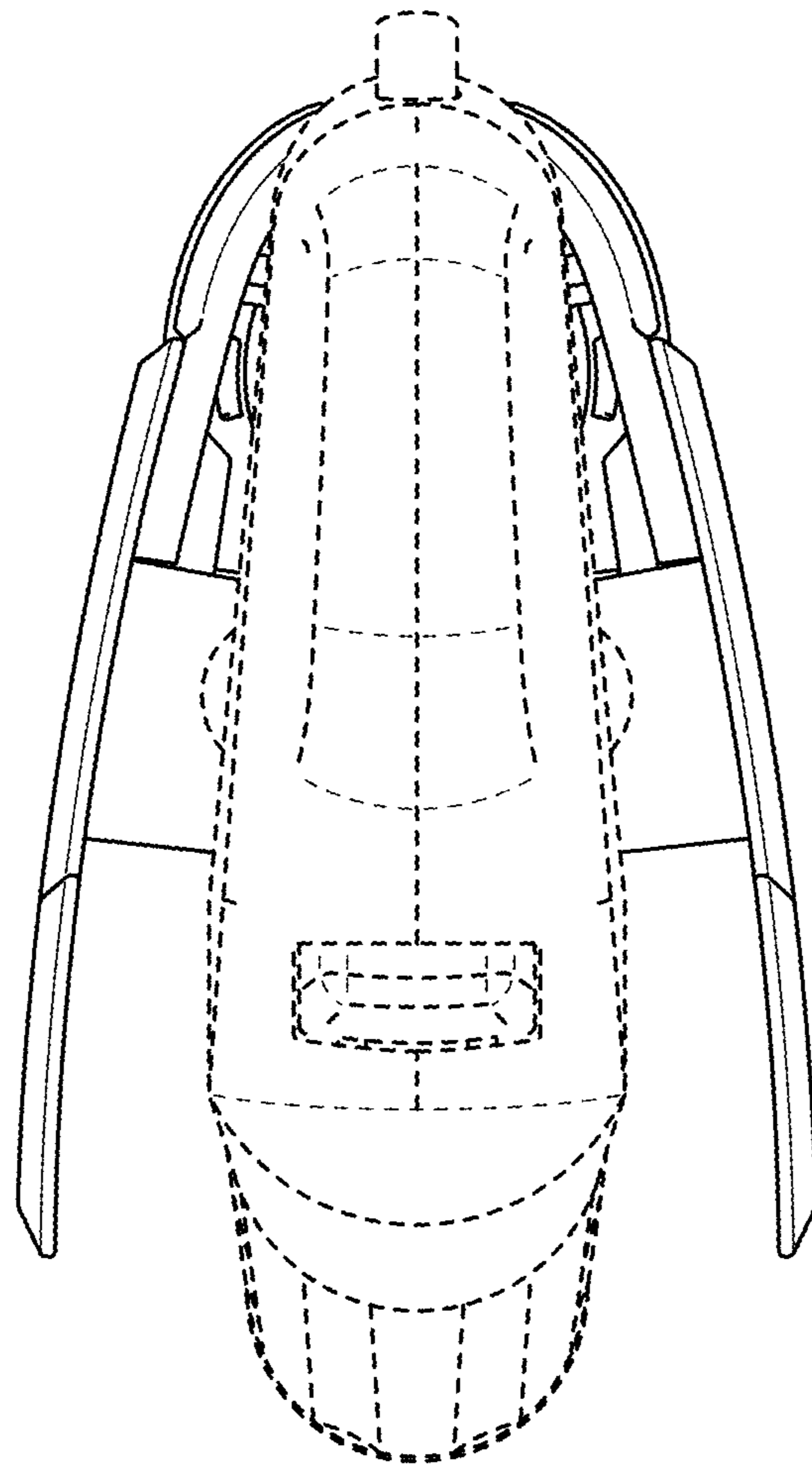


FIG. 4

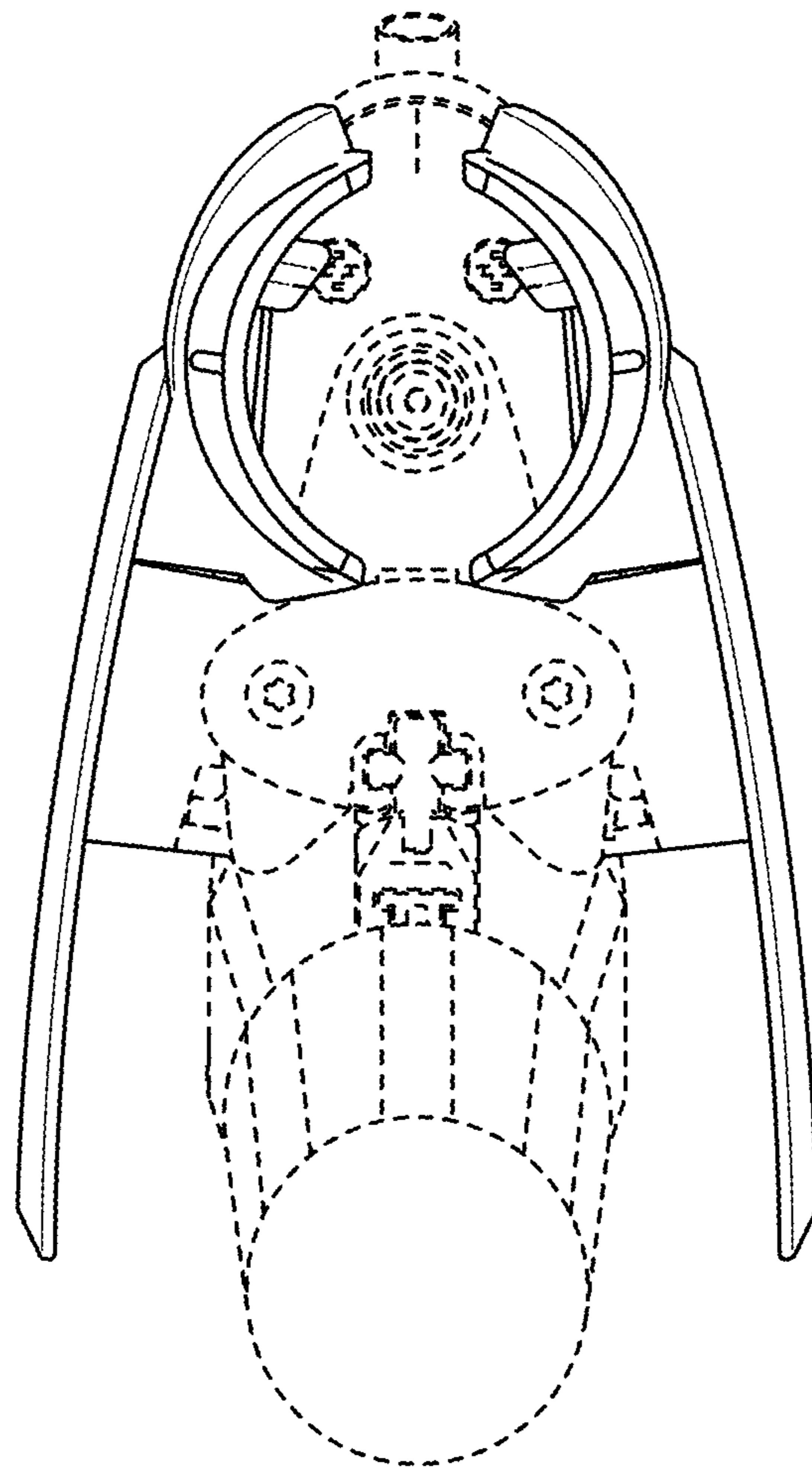


FIG. 5

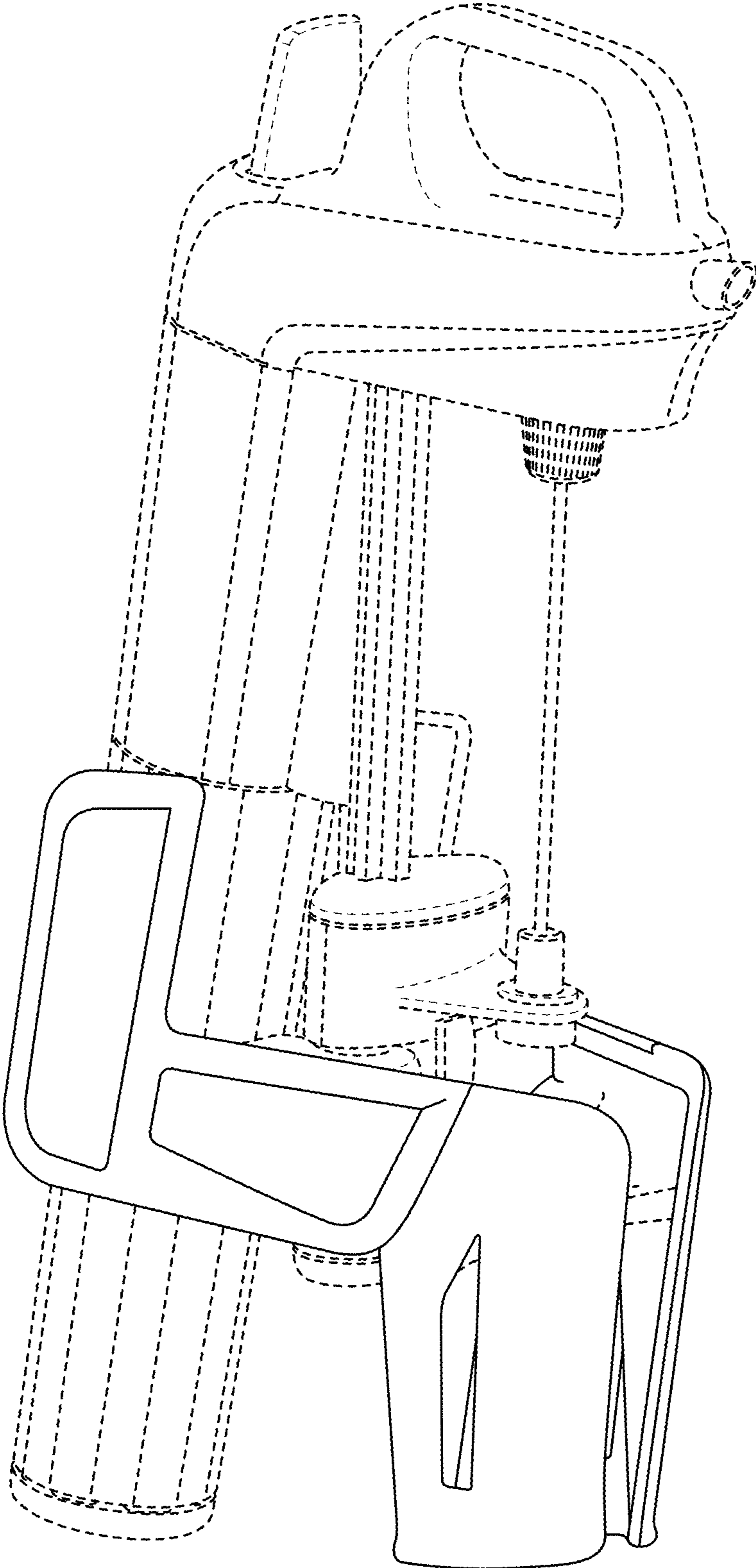


FIG. 6

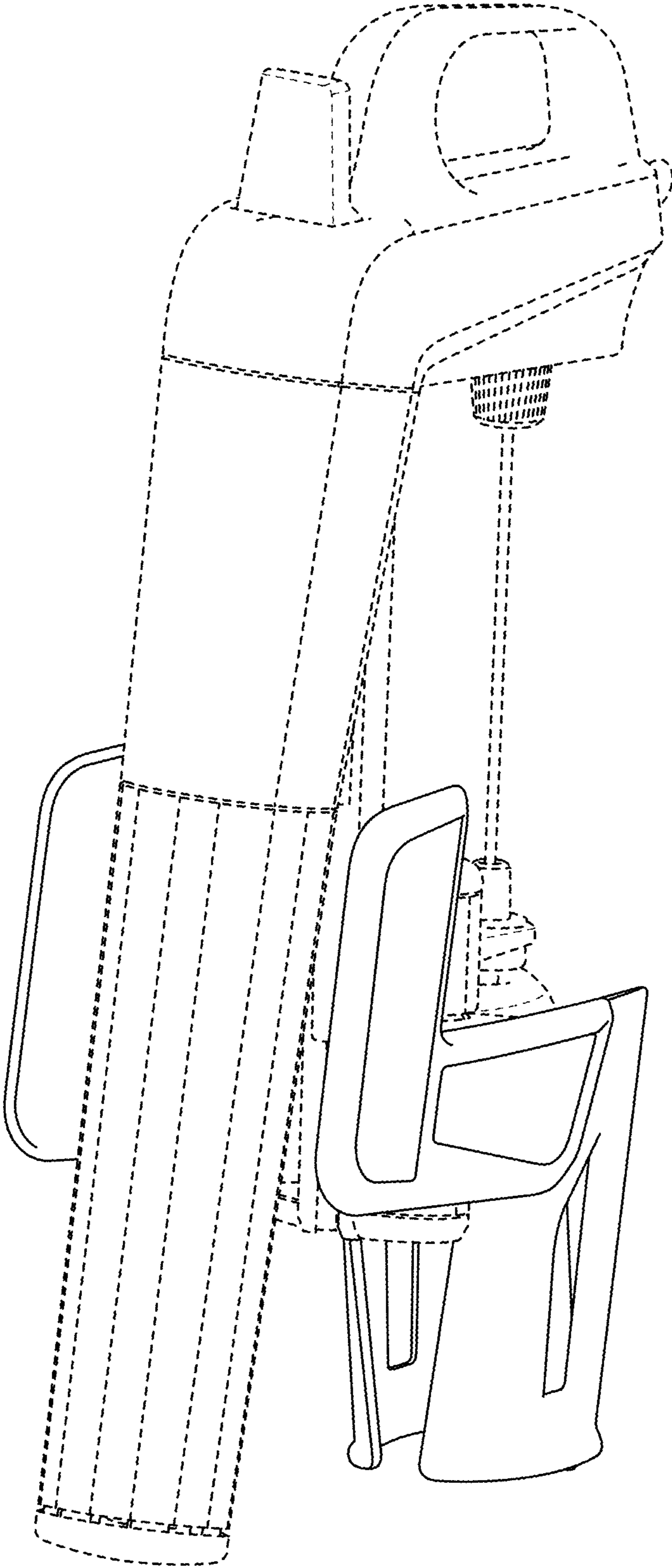


FIG. 7