



US00D778118S

(12) **United States Design Patent** (10) **Patent No.:** **US D778,118 S**
Du (45) **Date of Patent:** **** Feb. 7, 2017**

(54) **BEVERAGE BOTTLE**
(71) Applicants: **Thermos K.K.**, Niigata-ken (JP);
Thermos L.L.C., Schaumburg, IL (US)
(72) Inventor: **Hong Liang Du**, Niigata-ken (JP)
(73) Assignees: **THERMOS K.K.**, Niigata-Ken (JP);
THERMOS L.L.C., Schaumburg (IL)
(**) Term: **14 Years**
(21) Appl. No.: **29/517,360**
(22) Filed: **Feb. 12, 2015**
(51) **LOC (10) Cl.** **07-01**
(52) **U.S. Cl.**
USPC **D7/608**
(58) **Field of Classification Search**
USPC D7/392.1, 510, 511, 608; D9/447, 449,
D9/504
CPC B65D 25/28; B65D 25/42; B65D 41/0414;
B65D 41/0485; B65D 41/62; B65D 43/26;
B65D 43/02; B65D 43/163; B65D 47/08;
B65D 51/18; B65D 47/066; B65D
2251/00046; B65D 2251/0081; B65D
47/0814; B65D 47/0838; B65D 47/0861;
A47G 19/2266; A47G 19/2272
See application file for complete search history.

D609,093 S * 2/2010 Wisniewski D9/449
7,857,155 B2 * 12/2010 Roberts B65D 41/0485
215/235
7,913,869 B2 * 3/2011 Cuocolo, Jr. A47G 19/2266
220/254.2
D636,672 S 4/2011 Lohrman et al.
D655,580 S * 3/2012 Kotani D7/608
D655,581 S * 3/2012 Kotani D7/608
D675,060 S 1/2013 Lane
D676,708 S * 2/2013 Lane D7/510
D695,069 S * 12/2013 Lane D7/510
2005/0133475 A1 6/2005 Goto et al.
2006/0043052 A1 3/2006 Lin
2013/0140309 A1 6/2013 George
2013/0319966 A1 * 12/2013 Lane B65D 43/26
215/237
2014/0175098 A1 6/2014 Lane

* cited by examiner
Primary Examiner — Freda S Nunn
(74) *Attorney, Agent, or Firm* — Polsinelli PC

(57) **CLAIM**
The ornamental design for a beverage bottle, as shown and described.

DESCRIPTION
FIG. 1 is a perspective view of the beverage bottle.
FIG. 2 is a front elevation view of the beverage bottle.
FIG. 3 is a rear elevation view of the beverage bottle.
FIG. 4 is a right side elevation view of the beverage bottle.
A left side elevation view is a mirror image of the right side elevation view of the beverage bottle.
FIG. 5 is a top plan view of the beverage bottle.
FIG. 6 is a bottom plan view of the beverage bottle; and,
FIG. 7 is another perspective view thereof with the lid of the beverage bottle shown in an open position.

1 Claim, 7 Drawing Sheets

(56) **References Cited**
U.S. PATENT DOCUMENTS
6,279,773 B1 8/2001 Kiyota
D455,611 S * 4/2002 Kitamura D7/608
6,484,895 B2 11/2002 Montgomery et al.
D589,743 S 4/2009 Pearson
D596,460 S * 7/2009 Nezu D7/510

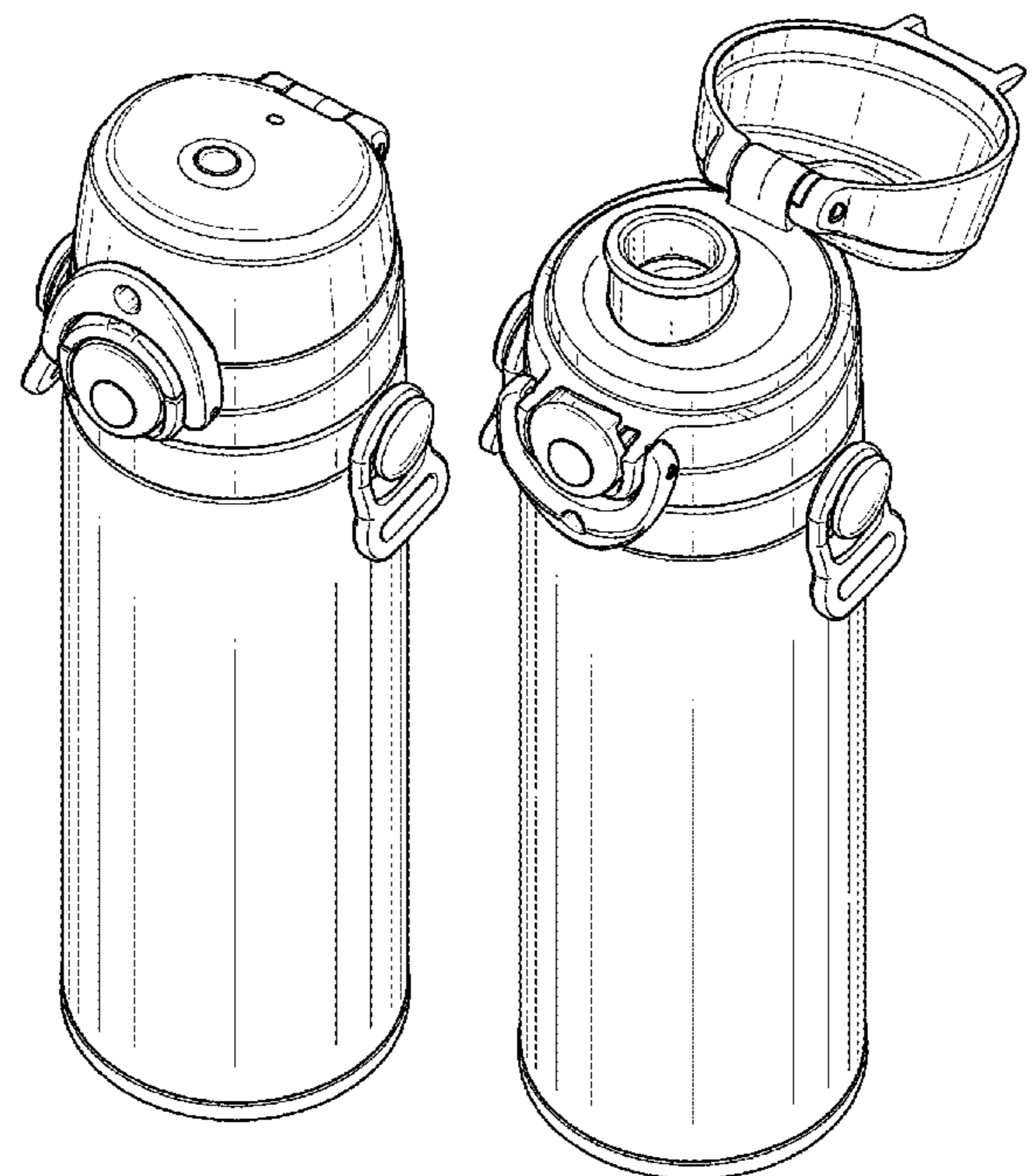


FIG. 1

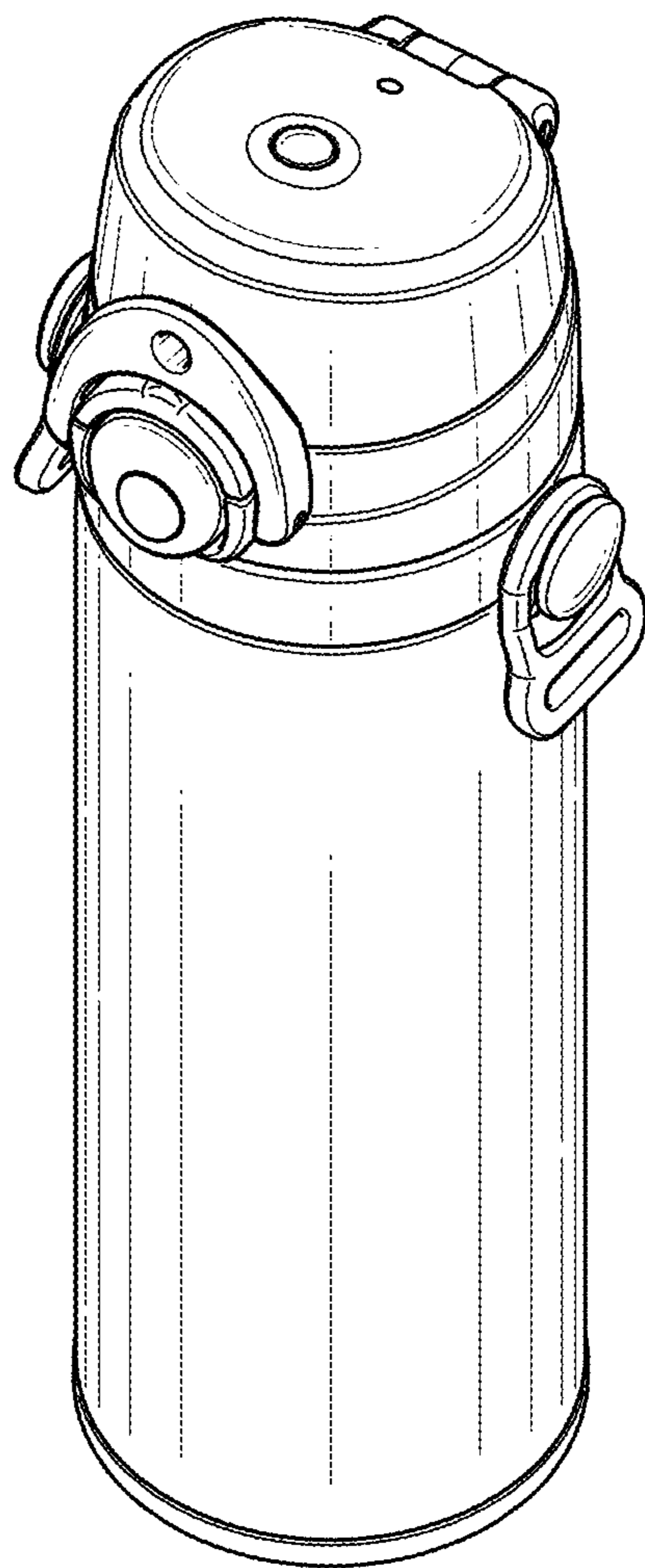


FIG. 2

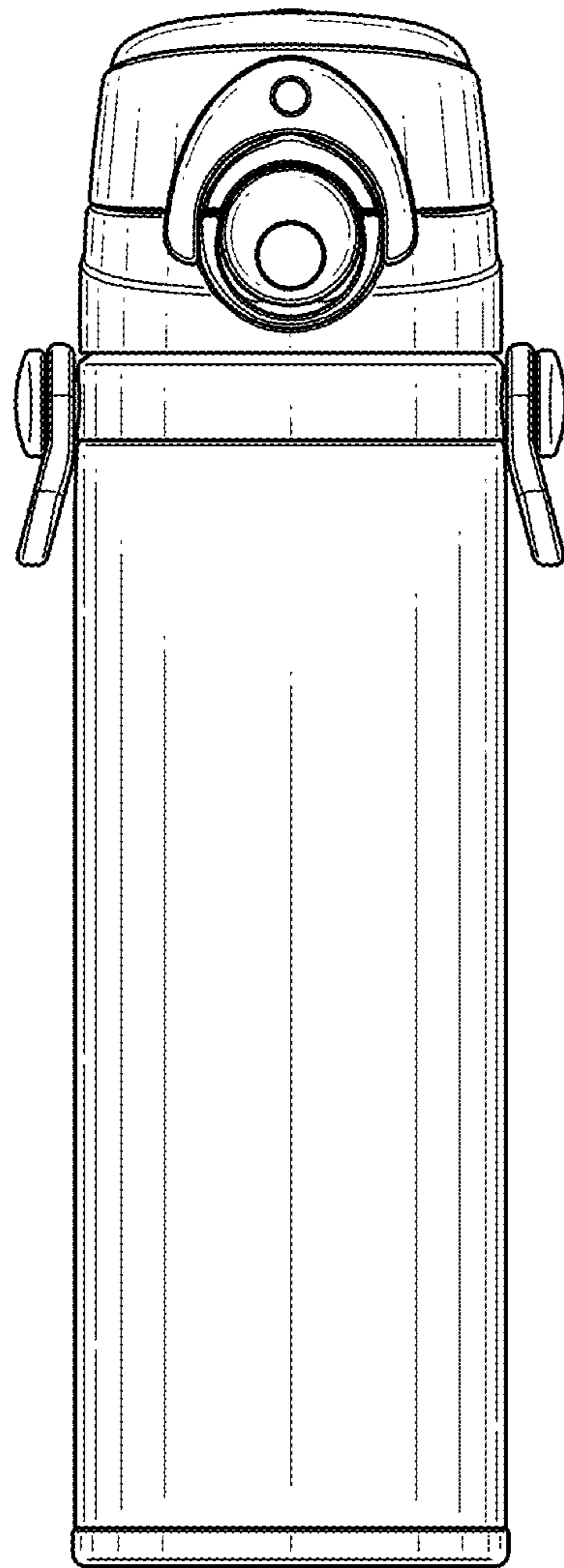


FIG. 3

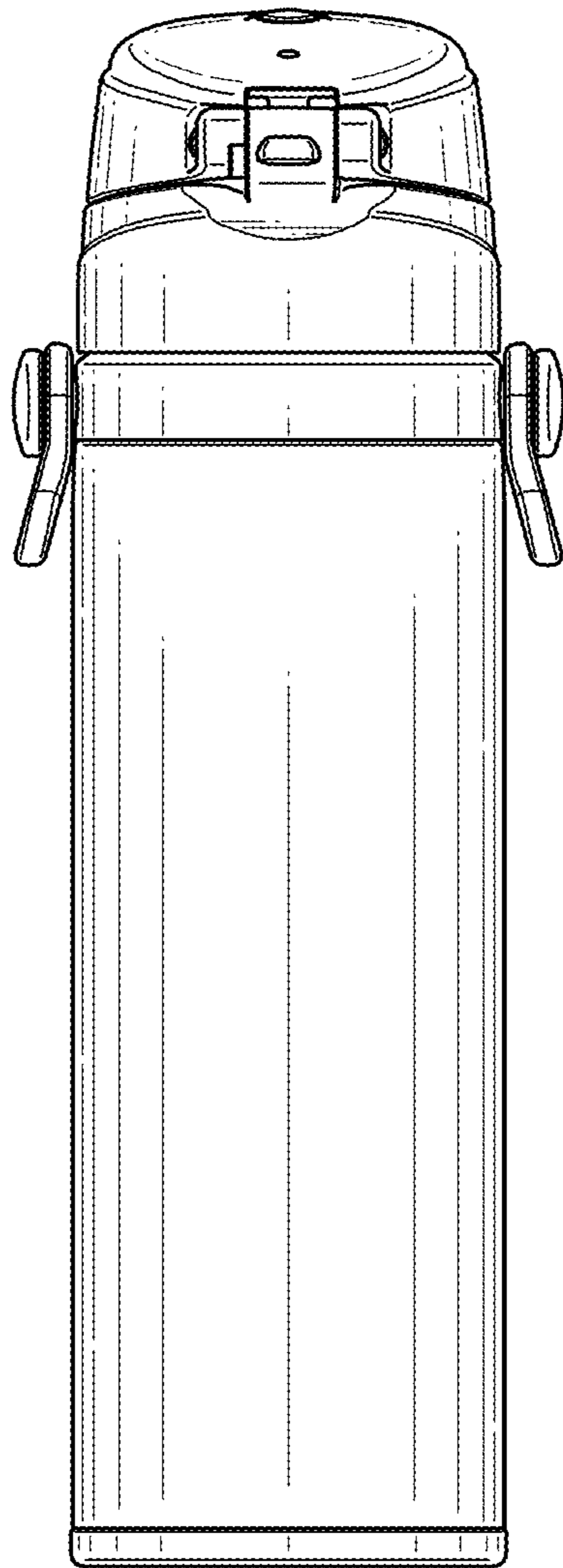


FIG. 4

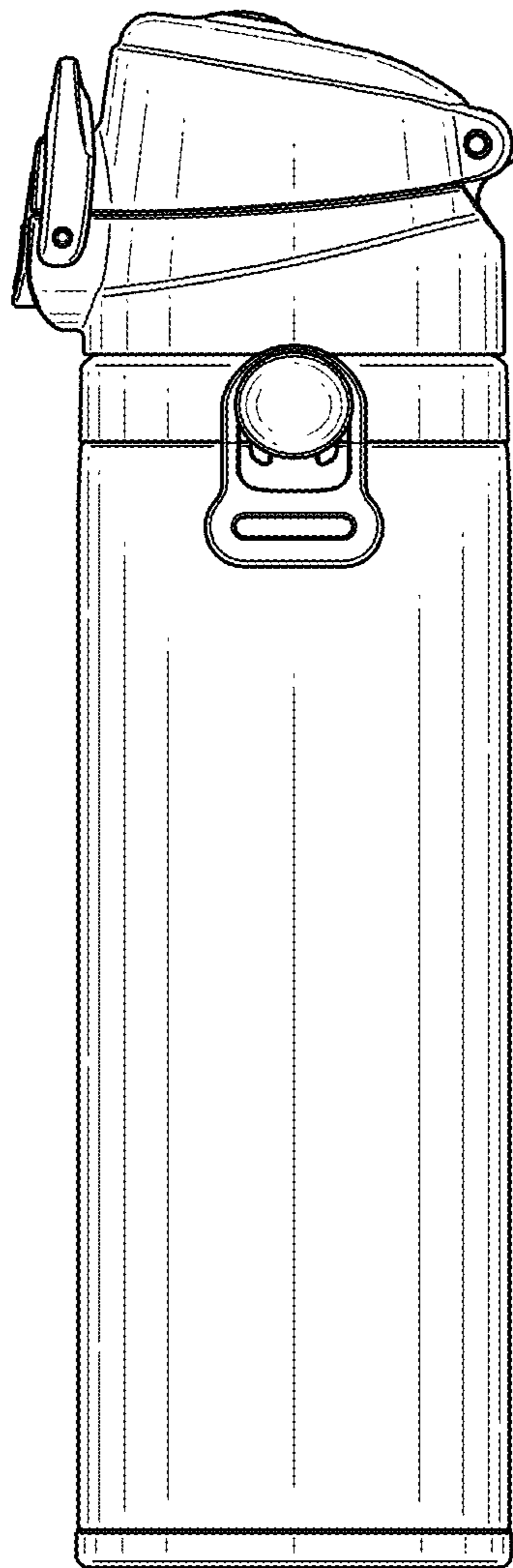


FIG. 5

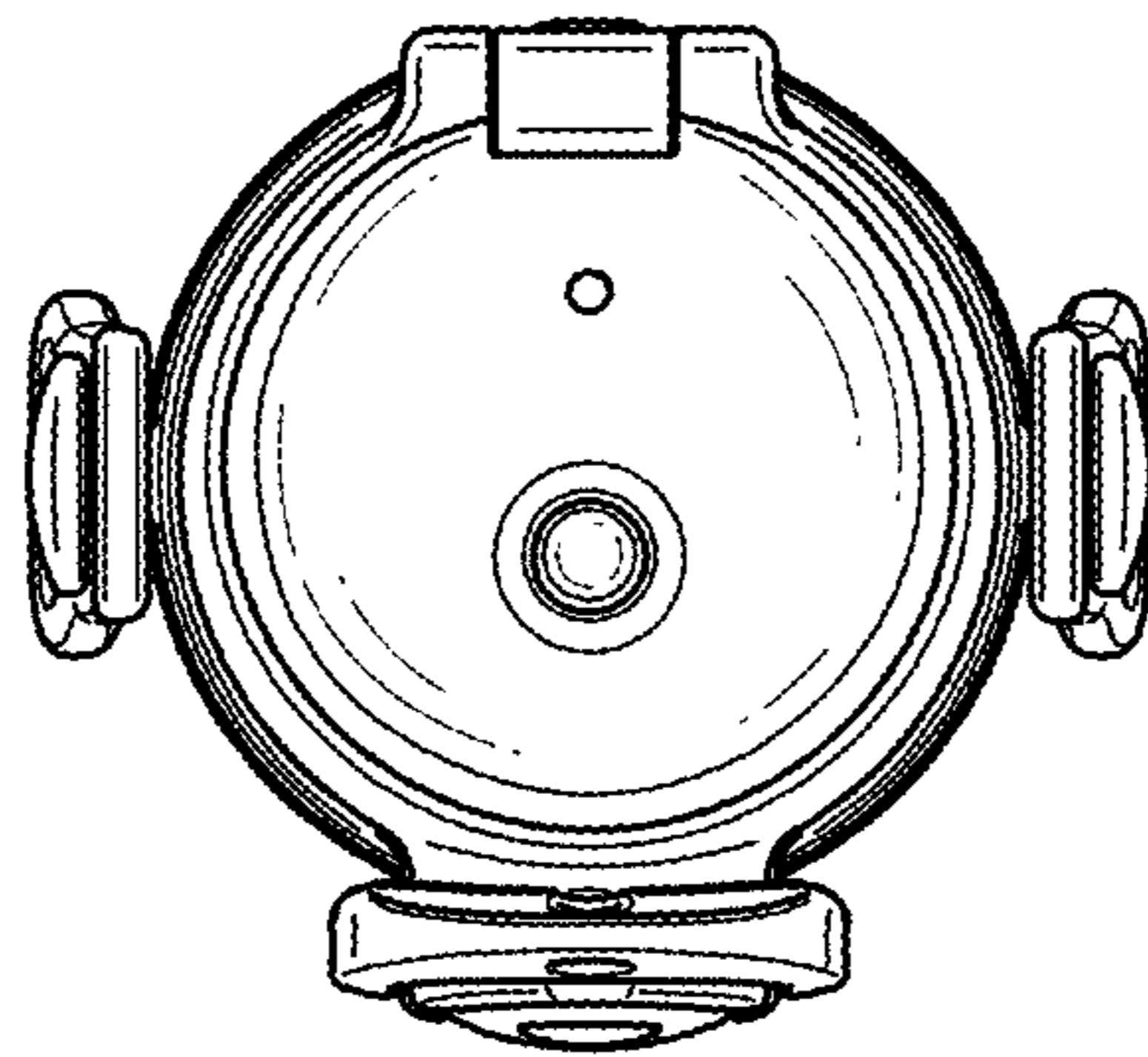


FIG. 6

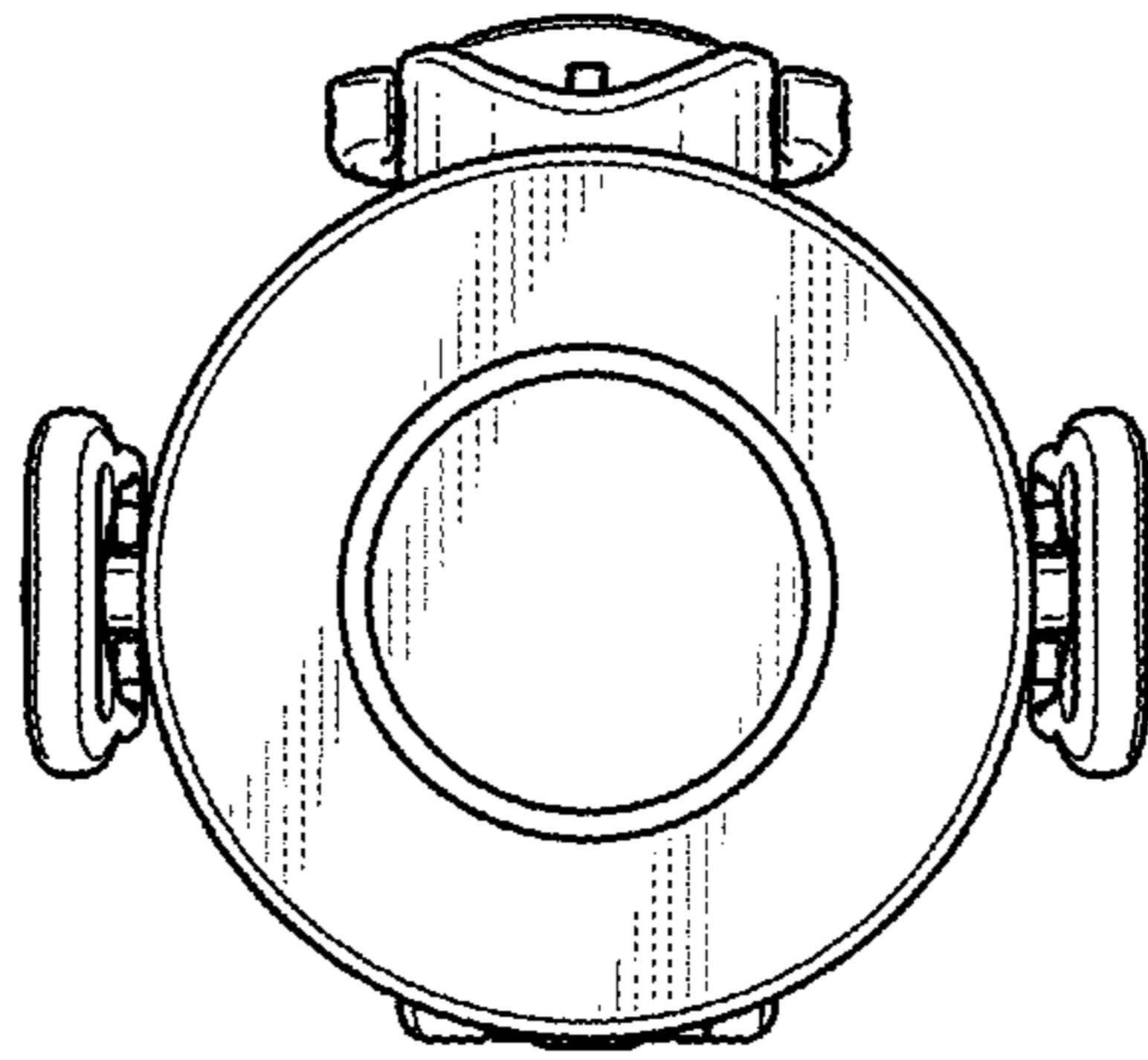


FIG. 7

