



US00D778117S

(12) **United States Design Patent**
Du

(10) **Patent No.:** **US D778,117 S**

(45) **Date of Patent:** **** Feb. 7, 2017**

(54) **BEVERAGE BOTTLE**

(71) Applicants: **Thermos K.K.**, Niigata-ken (JP);
Thermos L.L.C., Schaumburg, IL (US)

(72) Inventor: **Hong Liang Du**, Niigata-ken (JP)

(73) Assignees: **THERMOS K.K.**, Niigata-Ken (JP);
THERMOS L.L.C., Schaumburg, IL (US)

(**) Term: **14 Years**

(21) Appl. No.: **29/517,358**

(22) Filed: **Feb. 12, 2015**

(51) **LOC (10) Cl.** **07-01**

(52) **U.S. Cl.**
USPC **D7/608**

(58) **Field of Classification Search**
USPC D7/392.1, 510, 511, 608; D9/447, 449,
D9/504

CPC B65D 25/28; B65D 25/42; B65D 41/0414;
B65D 41/0485; B65D 41/62; B65D 43/26;
B65D 43/02; B65D 43/163; B65D 47/08;
B65D 51/18; B65D 47/066; B65D
2251/0021; B65D 2251/00046; B65D
2251/0081; B65D 47/0814; B65D
47/0838; B65D 47/0861; A47G 19/2266;
A47G 19/2272

See application file for complete search history.

(56) **References Cited**

U.S. PATENT DOCUMENTS

6,279,773 B1 * 8/2001 Kiyota A47G 19/2266
220/709
D455,611 S * 4/2002 Kitamura D7/608

6,484,895 B2 * 11/2002 Montgomery B65D 47/0861
215/237
D589,743 S * 4/2009 Pearson D7/392
D596,460 S * 7/2009 Nezu D7/510
D609,093 S * 2/2010 Wisniewski D9/449
7,857,155 B2 * 12/2010 Roberts B65D 41/0485
215/235
7,913,869 B2 * 3/2011 Cuocolo, Jr. A47G 19/2266
220/254.2
D636,672 S * 4/2011 Lohrman D9/438
D655,580 S * 3/2012 Kotani D7/608
D655,581 S * 3/2012 Kotani D7/608
D675,060 S * 1/2013 Lane D7/392.1
D676,708 S * 2/2013 Lane D7/510

(Continued)

Primary Examiner — Freda S Nunn

(74) *Attorney, Agent, or Firm* — Polsinelli PC

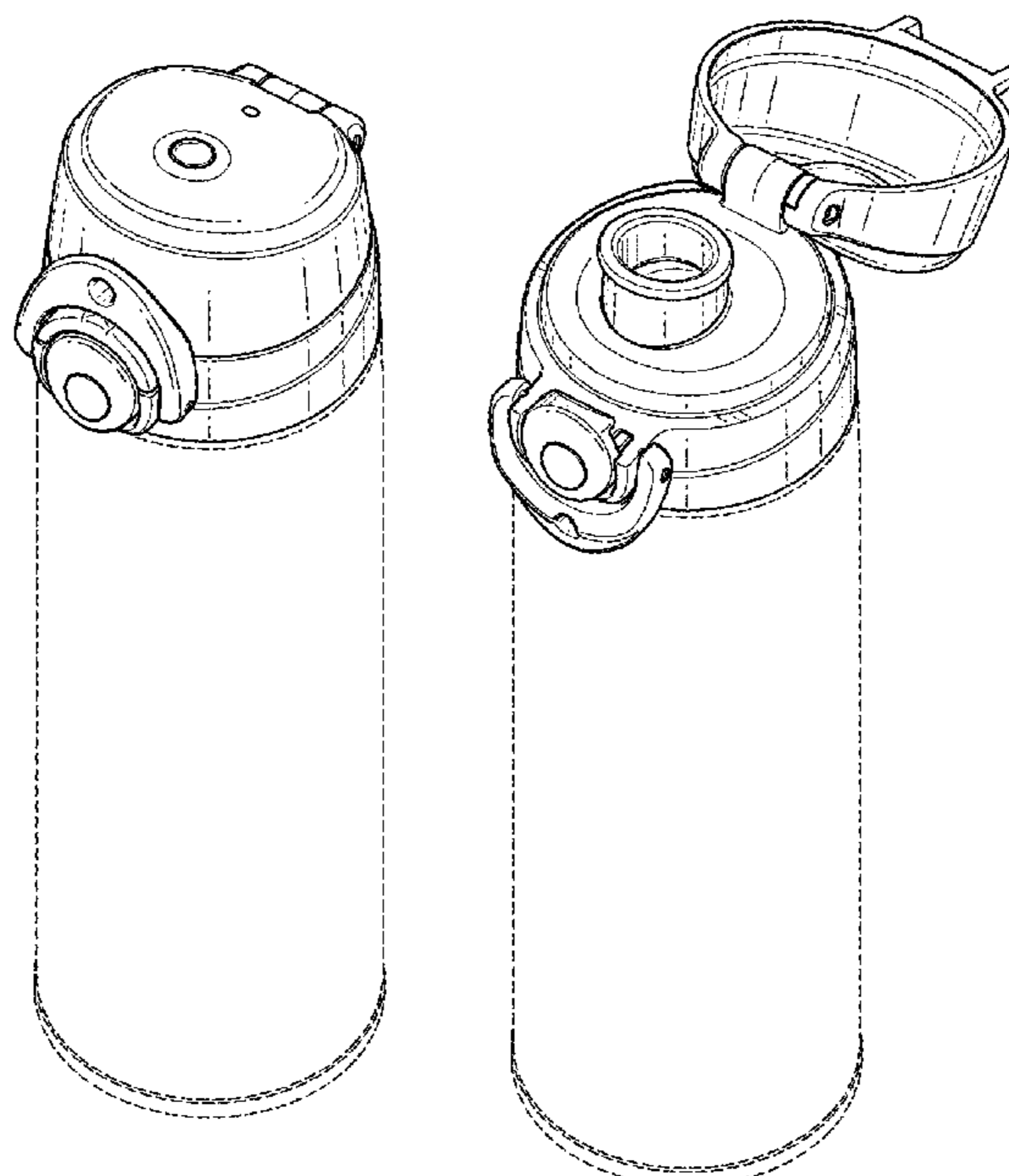
(57) **CLAIM**

The ornamental design for a beverage bottle, as shown and described.

DESCRIPTION

FIG. 1 is a perspective view of the beverage bottle.
FIG. 2 is a front elevation view of the beverage bottle.
FIG. 3 is a rear elevation view of the beverage bottle.
FIG. 4 is a right side elevation view of the beverage bottle.
A left side elevation view is a mirror image of the right side elevation view of the beverage bottle.
FIG. 5 is a top plan view of the beverage bottle.
FIG. 6 is a bottom plan view of the beverage bottle; and,
FIG. 7 is another perspective view thereof with the lid of the beverage bottle shown in an open position.
The broken lines showing in the figures are included for the purpose of illustrating portions of the beverage bottle that form no part of the claimed design.

1 Claim, 7 Drawing Sheets



(56)

References Cited

U.S. PATENT DOCUMENTS

D695,069 S * 12/2013 Lane D7/510
2005/0133475 A1* 6/2005 Goto B65D 47/0814
215/237
2006/0043052 A1* 3/2006 Lin B65D 47/0838
215/253
2013/0140309 A1* 6/2013 George A47G 19/2272
220/254.1
2013/0319966 A1* 12/2013 Lane B65D 43/26
215/237
2014/0175098 A1* 6/2014 Lane A45F 3/16
220/212.5

* cited by examiner

FIG. 1

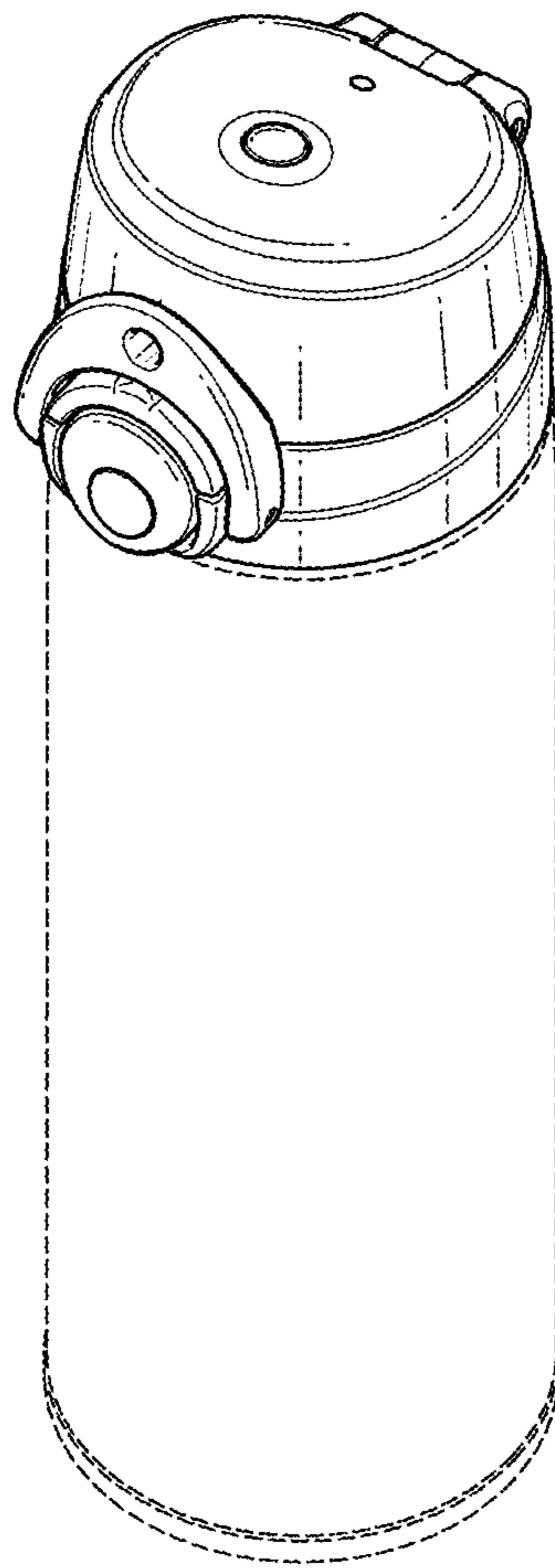


FIG. 2

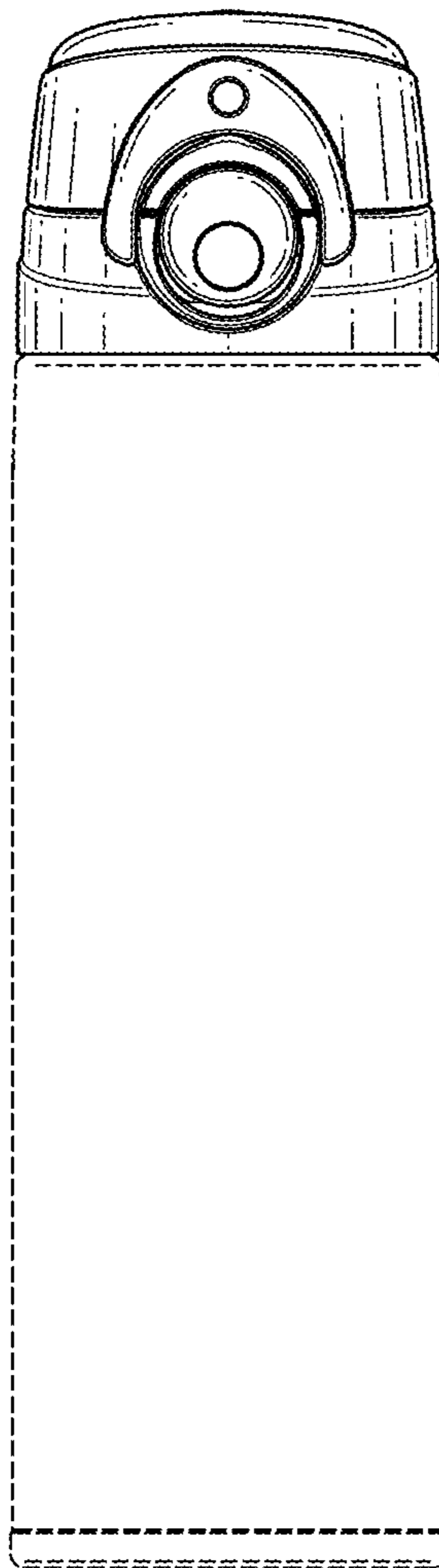


FIG. 3

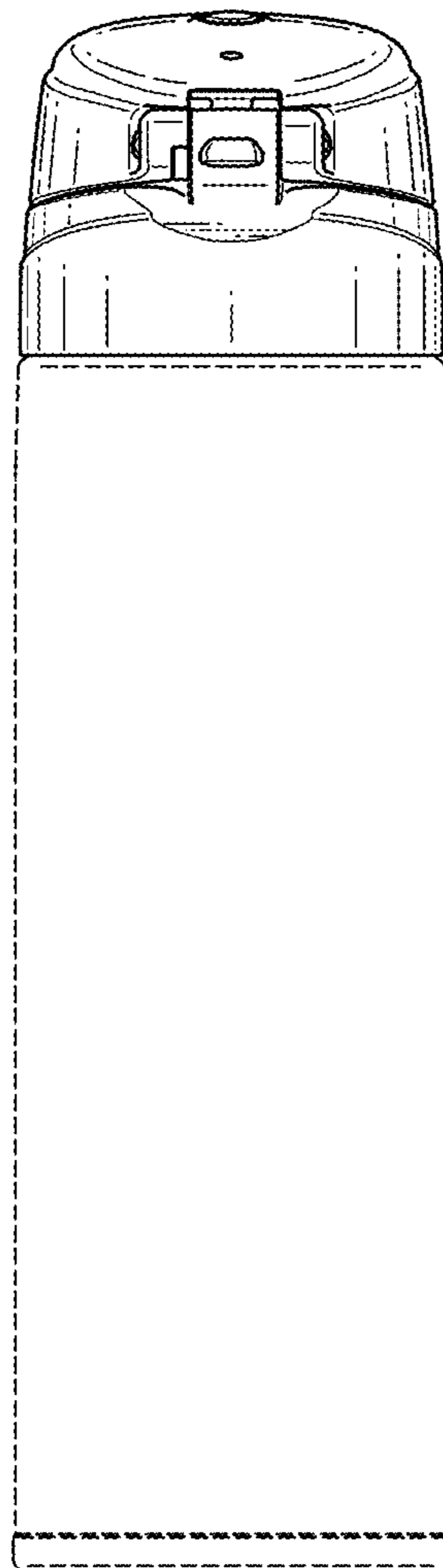


FIG. 4

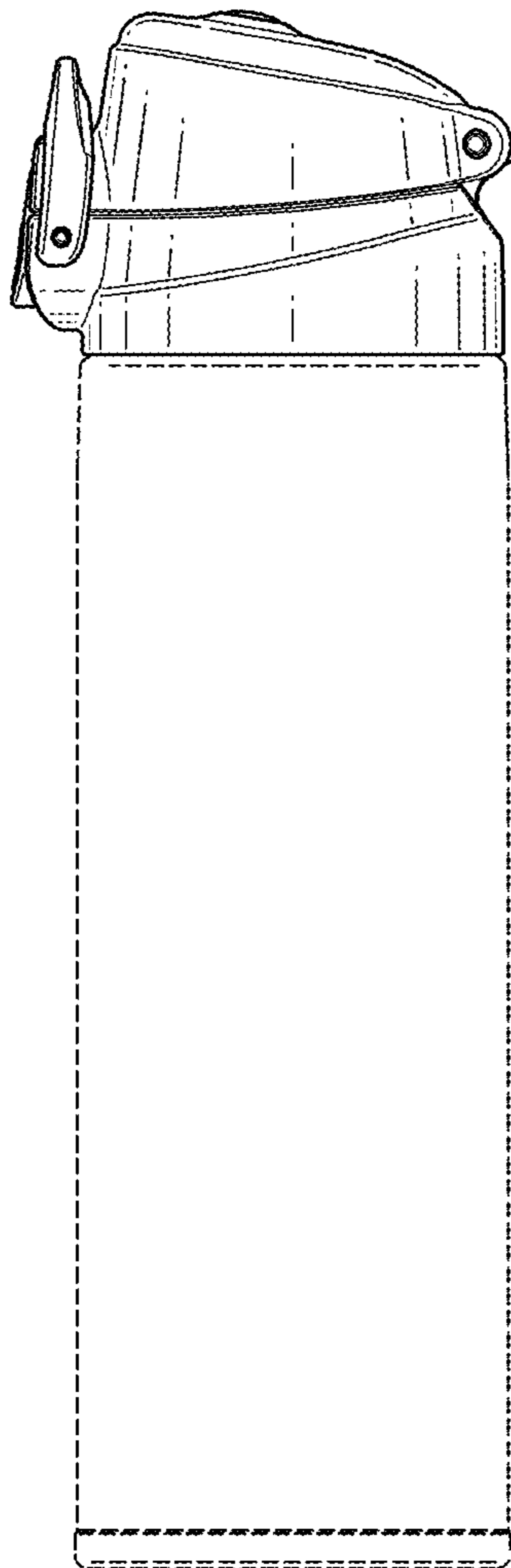


FIG. 5

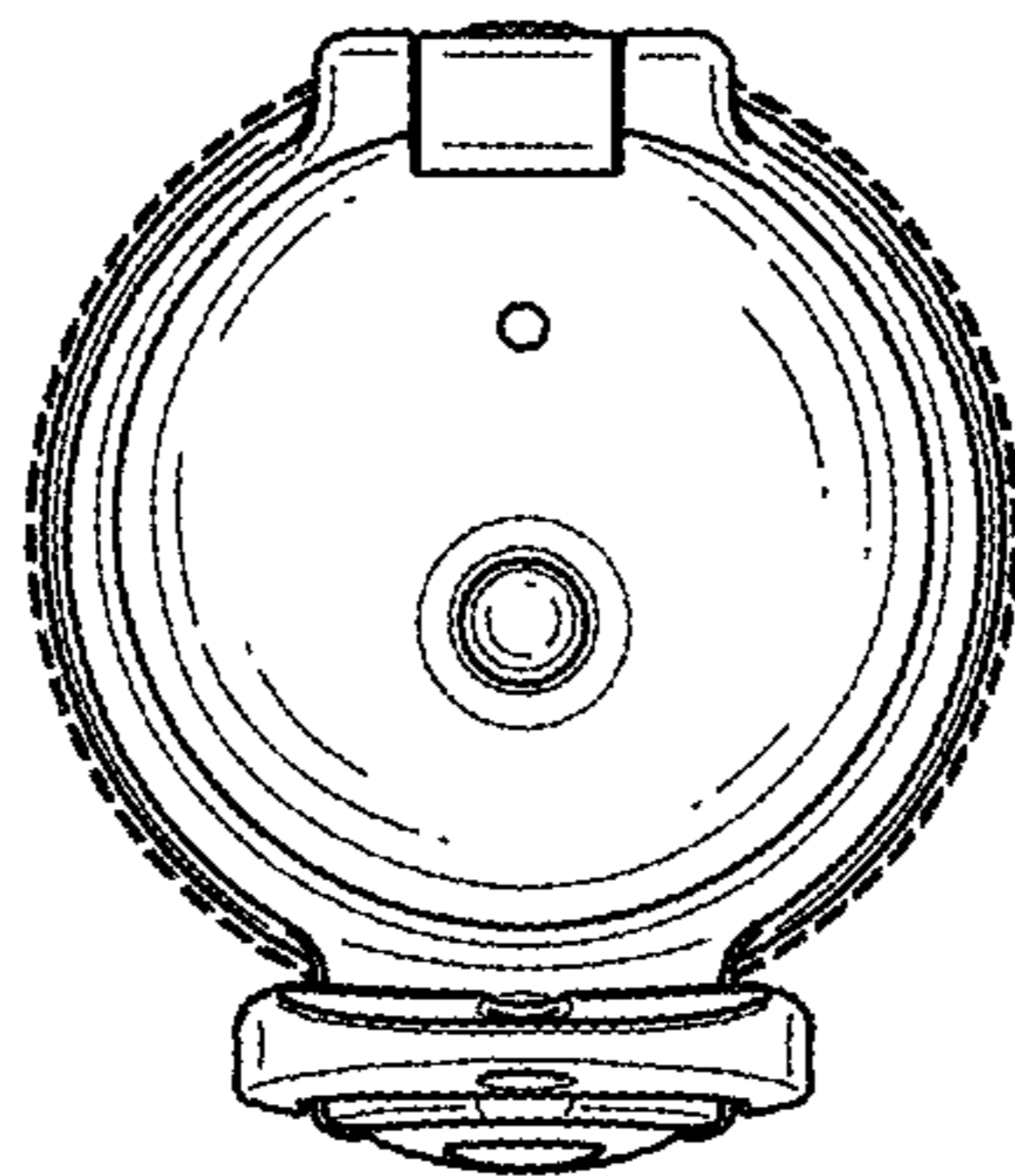


FIG. 6

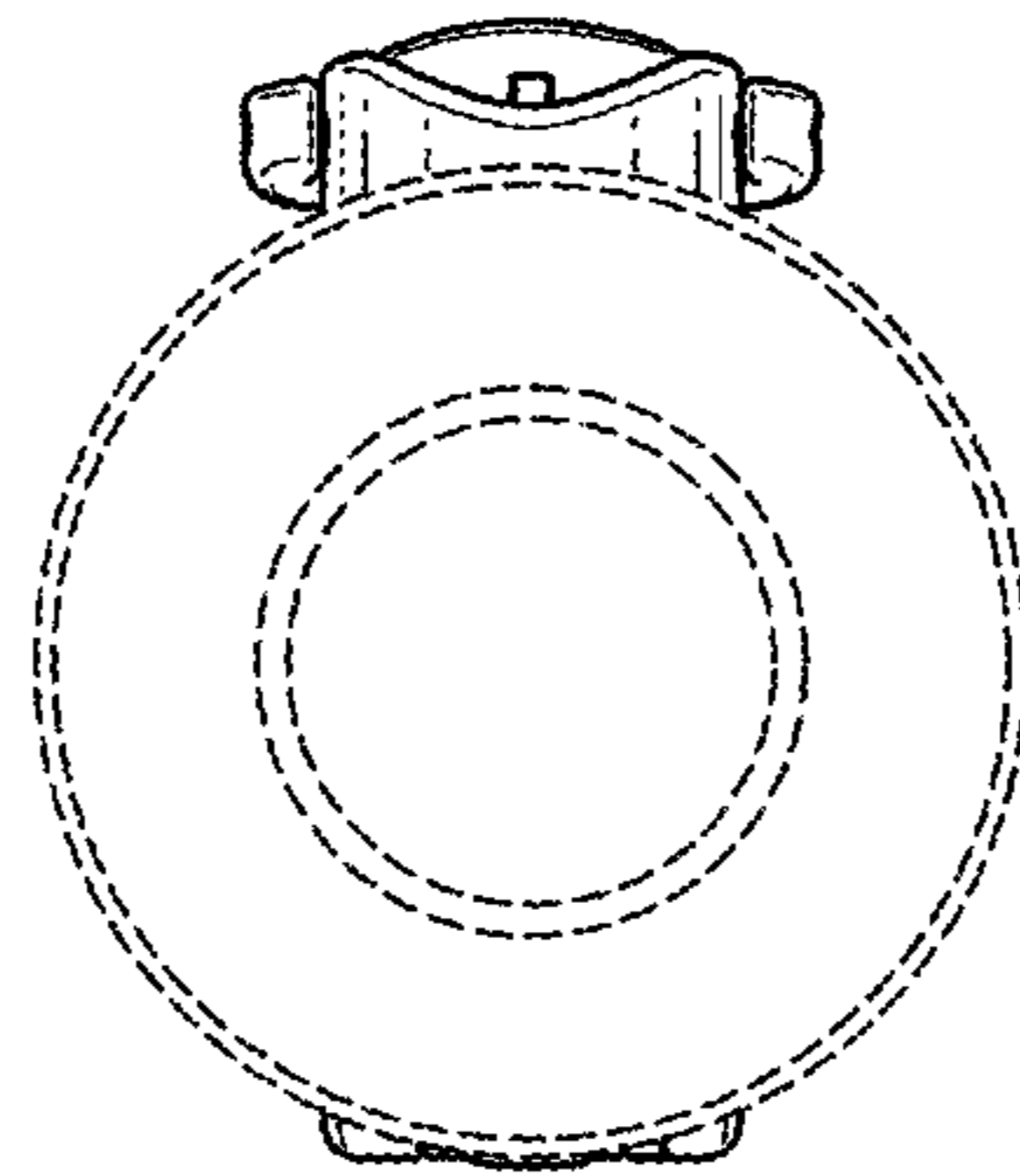


FIG. 7

