



US00D778115S

(12) **United States Design Patent** (10) **Patent No.:** **US D778,115 S**
Strachan (45) **Date of Patent:** **** Feb. 7, 2017**

(54) **FOOD TRAY**

(71) Applicant: **First Quality Packaging Solutions, LLC**, Great Neck, NY (US)

(72) Inventor: **Mark Strachan**, Jupiter, FL (US)

(73) Assignee: **First Quality Packaging Solutions, LLC**, Great Neck, NY (US)

(**) Term: **15 Years**

(21) Appl. No.: **29/544,712**

(22) Filed: **Nov. 5, 2015**

(51) **LOC (10) Cl.** **07-01**

(52) **U.S. Cl.**
 USPC **D7/553.1**

(58) **Field of Classification Search**
 USPC D7/396.4, 501, 505, 571, 538, 540, D7/541-543, 545, 546, 549, 552.1, 553, D7/553.1, 553.2, 553.6, 554.2; D9/424, D9/432, 756, 759-760, 761; D30/130
 CPC B65D 1/34; B65D 21/00; B65D 21/0204
 See application file for complete search history.

D553,490 S 10/2007 Yang
 D562,154 S 2/2008 Pelletier et al.
 D570,681 S 6/2008 Hussain et al.
 D595,155 S 6/2009 Larson
 D596,903 S 7/2009 Willis et al.
 D608,153 S * 1/2010 Furlong D7/602
 7,685,677 B2 3/2010 Garg et al.
 D633,341 S 3/2011 Smyers
 D634,971 S 3/2011 Petlak
 D643,710 S 8/2011 Samartgis
 D643,712 S 8/2011 Samartgis
 D645,708 S 9/2011 Stamper et al.
 D659,902 S 5/2012 Mehdizadeh
 D666,058 S 8/2012 Liang et al.
 D675,919 S 2/2013 Krueger
 D678,051 S 3/2013 Krueger et al.
 D679,585 S 4/2013 Krueger
 D679,587 S 4/2013 Krueger et al.
 D691,901 S 10/2013 Epstein
 D693,178 S * 11/2013 Wilson D7/553.2
 D693,179 S * 11/2013 Vujea D7/555
 D693,180 S 11/2013 Peterson et al.
 D694,103 S 11/2013 Durdon et al.

(Continued)

Primary Examiner — Kelley Donnelly
 (74) *Attorney, Agent, or Firm* — Amster, Rothstein & Ebenstein, LLP

(56) **References Cited**

U.S. PATENT DOCUMENTS

D232,302 S 8/1974 Lazure
 D235,498 S 6/1975 Day
 D284,727 S * 7/1986 Gerber D7/357
 D363,192 S 10/1995 Reeves et al.
 D372,170 S 7/1996 Ahern, Jr.
 D392,881 S 3/1998 Bulcher et al.
 D448,130 S 9/2001 Wagner
 6,293,458 B1 9/2001 Sarnoff
 D461,123 S 8/2002 Hayes et al.
 D485,755 S 1/2004 Isler et al.
 D502,045 S 2/2005 Isler et al.
 D504,283 S 4/2005 Armer
 D530,625 S 10/2006 Darin

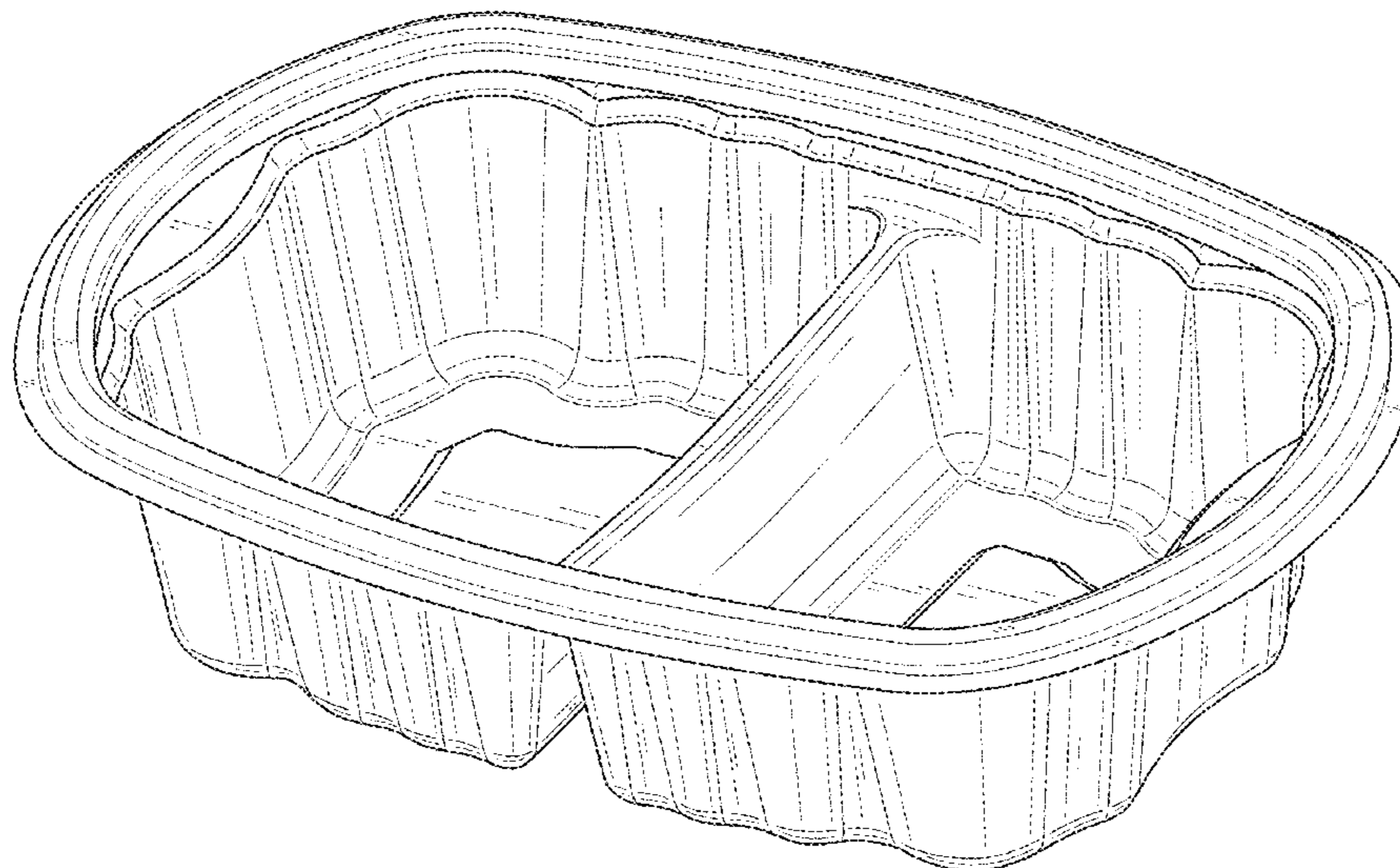
(57) **CLAIM**

The ornamental design for a food tray, as shown and described.

DESCRIPTION

FIG. 1 is a perspective view of a new design for a food tray; FIG. 2 is a front view thereof, the back view being identical to the front view; FIG. 3 is a right side view thereof, the left side view being identical to the right side view; FIG. 4 is a top plan view thereof; and, FIG. 5 is a bottom plan view thereof.

1 Claim, 5 Drawing Sheets



(56)

References Cited

U.S. PATENT DOCUMENTS

D696,938 S *	1/2014	BeVier	D7/602
8,701,923 B2	4/2014	Anhalt et al.	
D736,616 S	8/2015	Suen et al.	
D741,166 S	10/2015	Tyberghein	
D749,412 S	2/2016	Hu	
D750,973 S	3/2016	McSweeney et al.	
D756,769 S *	5/2016	Tuchrelo	D9/425
2010/0183775 A1	7/2010	Cudnohoske	

* cited by examiner

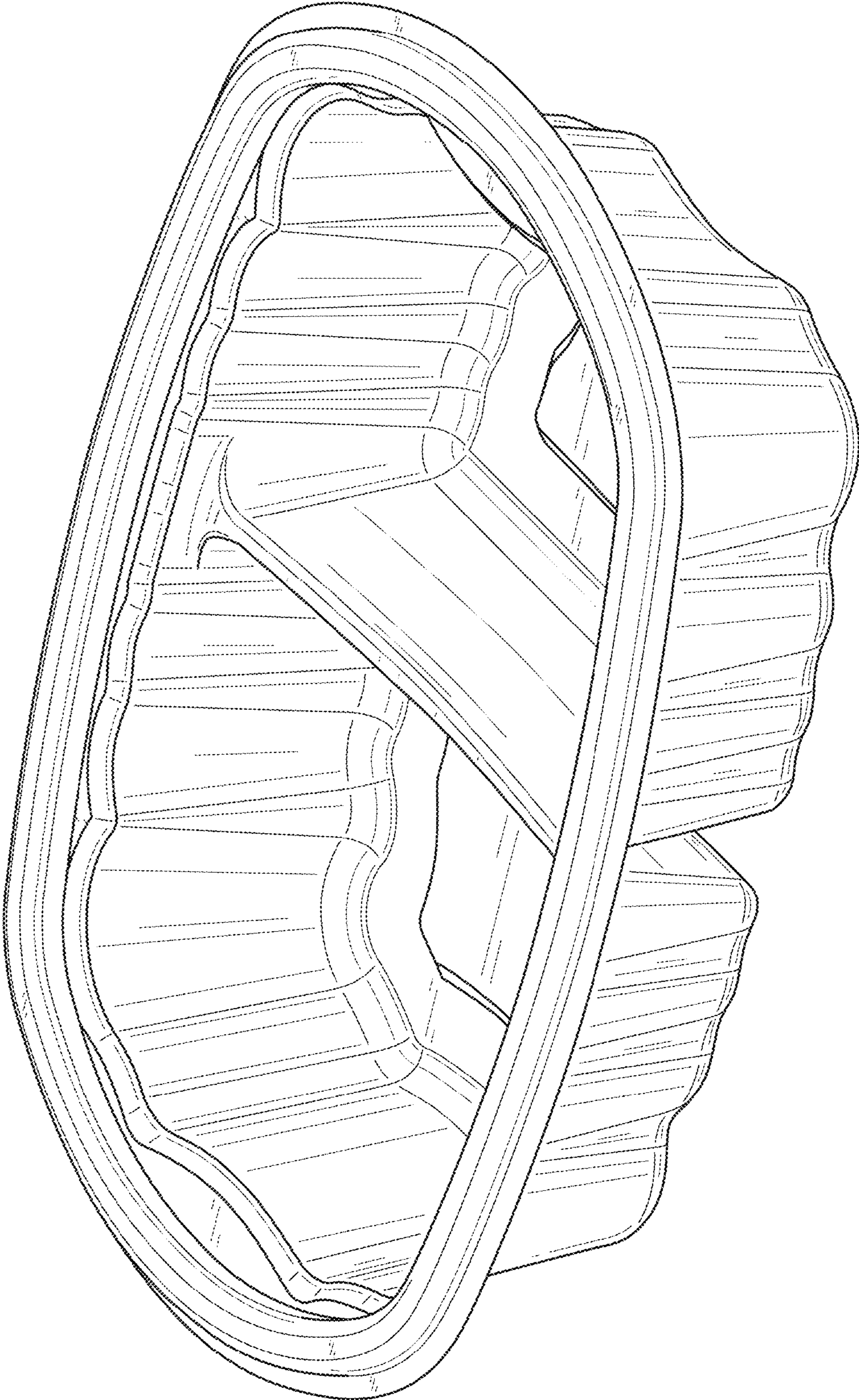


FIG. 1

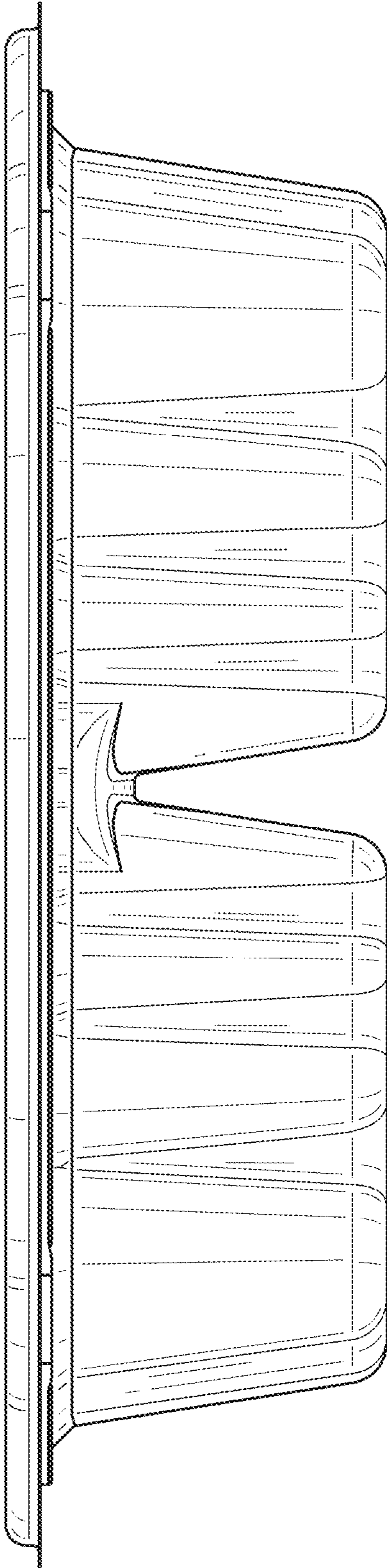


FIG. 2

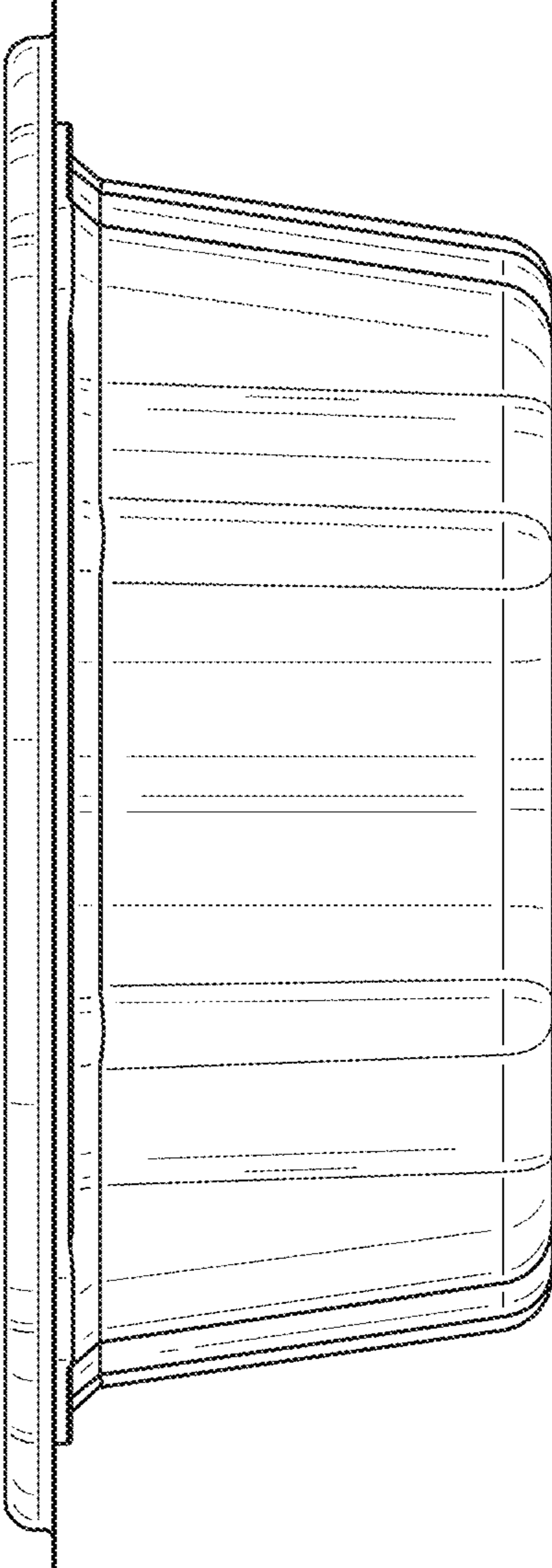


FIG. 3

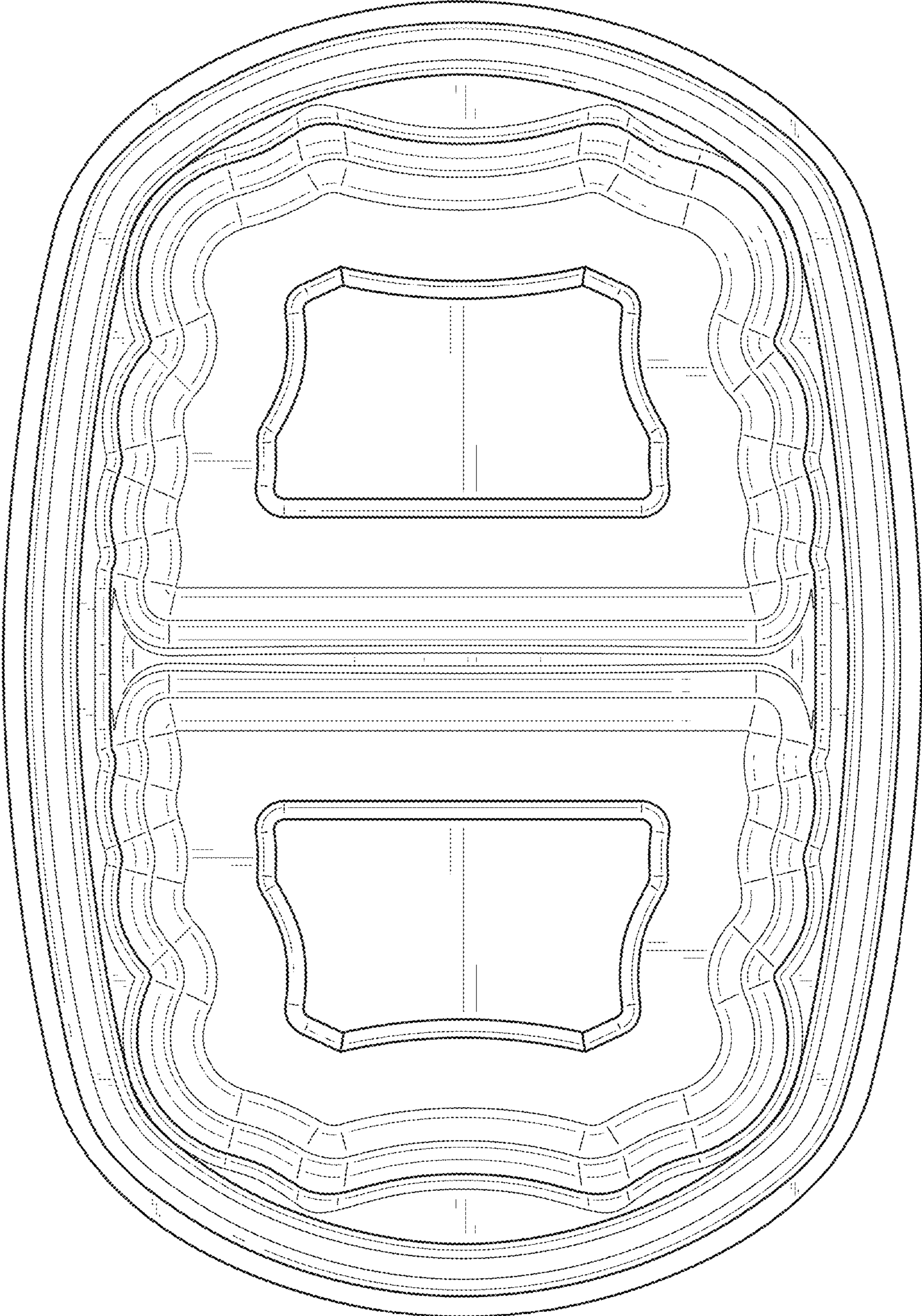


FIG. 4

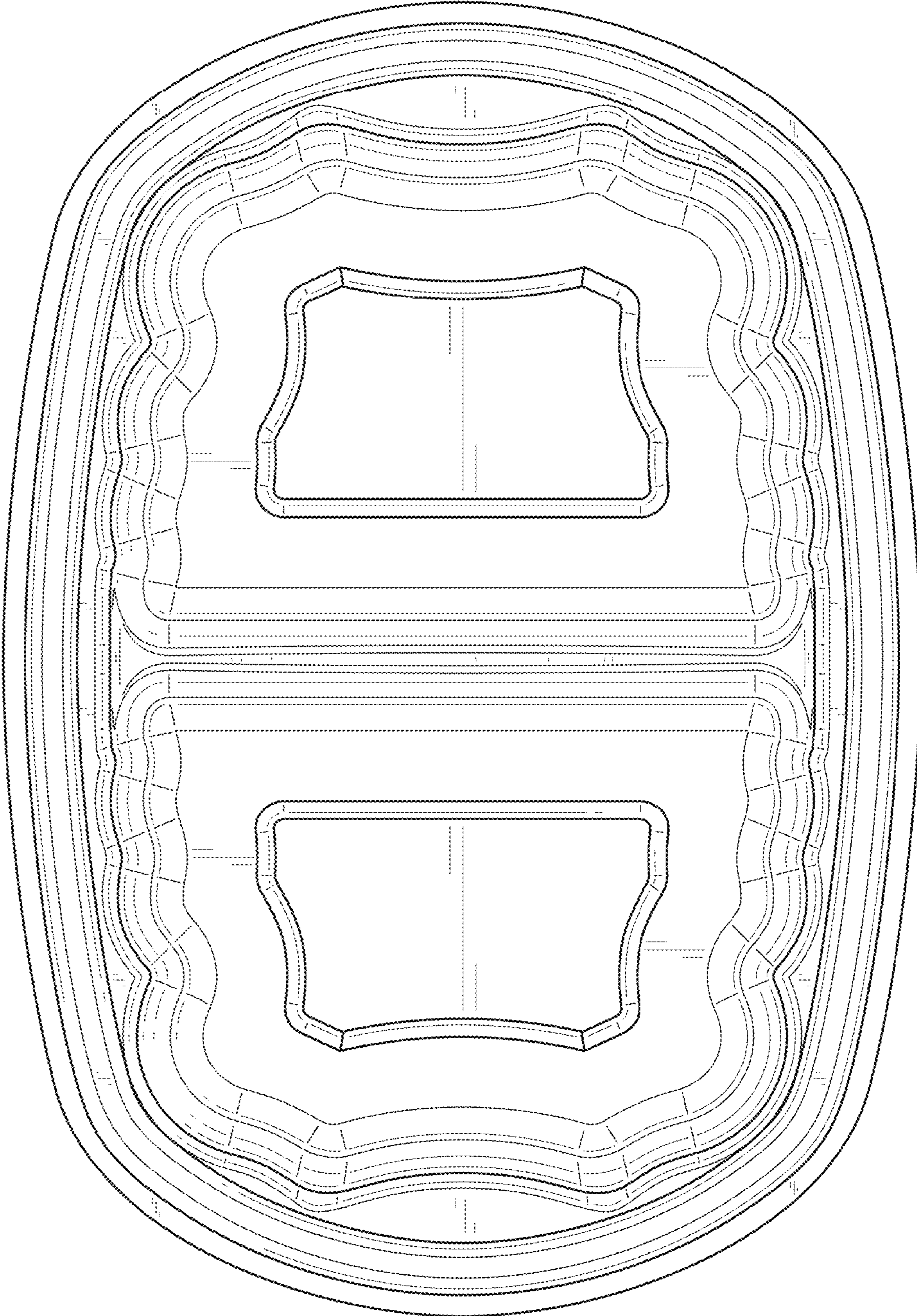


FIG. 5