



US00D778114S

(12) **United States Design Patent** (10) **Patent No.:** **US D778,114 S**
Boroski et al. (45) **Date of Patent:** **** Feb. 7, 2017**

- (54) **BOTTLE**
- (71) Applicants: **Dwayne Boroski**, Lake in the Hills, IL (US); **Marvin Lane**, Wheeling, IL (US)
- (72) Inventors: **Dwayne Boroski**, Lake in the Hills, IL (US); **Marvin Lane**, Wheeling, IL (US)
- (73) Assignee: **THERMOS L.L.C.**, Schaumburg, IL (US)
- (**) Term: **14 Years**
- (21) Appl. No.: **29/523,338**
- (22) Filed: **Apr. 8, 2015**
- (51) **LOC (10) Cl.** **07-01**
- (52) **U.S. Cl.**
USPC **D7/529**; D7/530; D9/552
- (58) **Field of Classification Search**
USPC D7/507-512, 529-532, 533, 536, 213, D7/392.1, 396.1, 396.2, 396.4, 900, 608; D9/503, 504, 555, 568, 554, 567, 904, D9/453, 442, 443, 773, 434, 435, 440, D9/444, 447, 449, 526, 552, 571; D3/202; D24/197, 122; 220/592.16, 592.17, 220/592.27; 215/381-384
CPC B65D 23/00; B65D 47/066; B65D 41/04; B65D 41/0414; B65D 47/08; A45F 3/16
See application file for complete search history.

(56) **References Cited**

U.S. PATENT DOCUMENTS

D49,139 S *	6/1916	Curtiss	D7/608
D216,407 S	12/1969	Kull et al.		
D262,192 S	12/1981	Wedge		
D262,932 S	2/1982	Daenen		
D283,596 S	4/1986	Fortuna et al.		
D286,508 S	11/1986	Tilden		
D289,858 S	5/1987	Duval et al.		
D308,828 S	6/1990	Magnusson		
D318,980 S *	8/1991	Unger	D7/535

D332,215 S	1/1993	Halvorson		
D346,801 S	5/1994	Traina		
D364,781 S *	12/1995	Fenton	D7/529
D427,913 S	7/2000	Davies		
D430,793 S	9/2000	Baron		
D468,588 S	1/2003	Norris et al.		
D492,158 S	6/2004	Bodum		
D518,381 S	4/2006	Egawa		
D531,451 S *	11/2006	Bin	D7/510
D534,396 S	1/2007	Kramer		
D538,110 S	3/2007	Kitamura et al.		
D544,302 S *	6/2007	Gibbons	D7/510
D549,048 S	8/2007	Duke et al.		
D555,430 S	11/2007	Tien		
D562,137 S	2/2008	Florio		
D567,589 S *	4/2008	Freeman	D7/533
D584,613 S	1/2009	Yan		

(Continued)

OTHER PUBLICATIONS

U.S. Appl. No. 29/523,341, filed Apr. 8, 2015 (18 pages).

(Continued)

Primary Examiner — Marianne Pandozzi
Assistant Examiner — Jae Liang
(74) *Attorney, Agent, or Firm* — Polsinelli PC

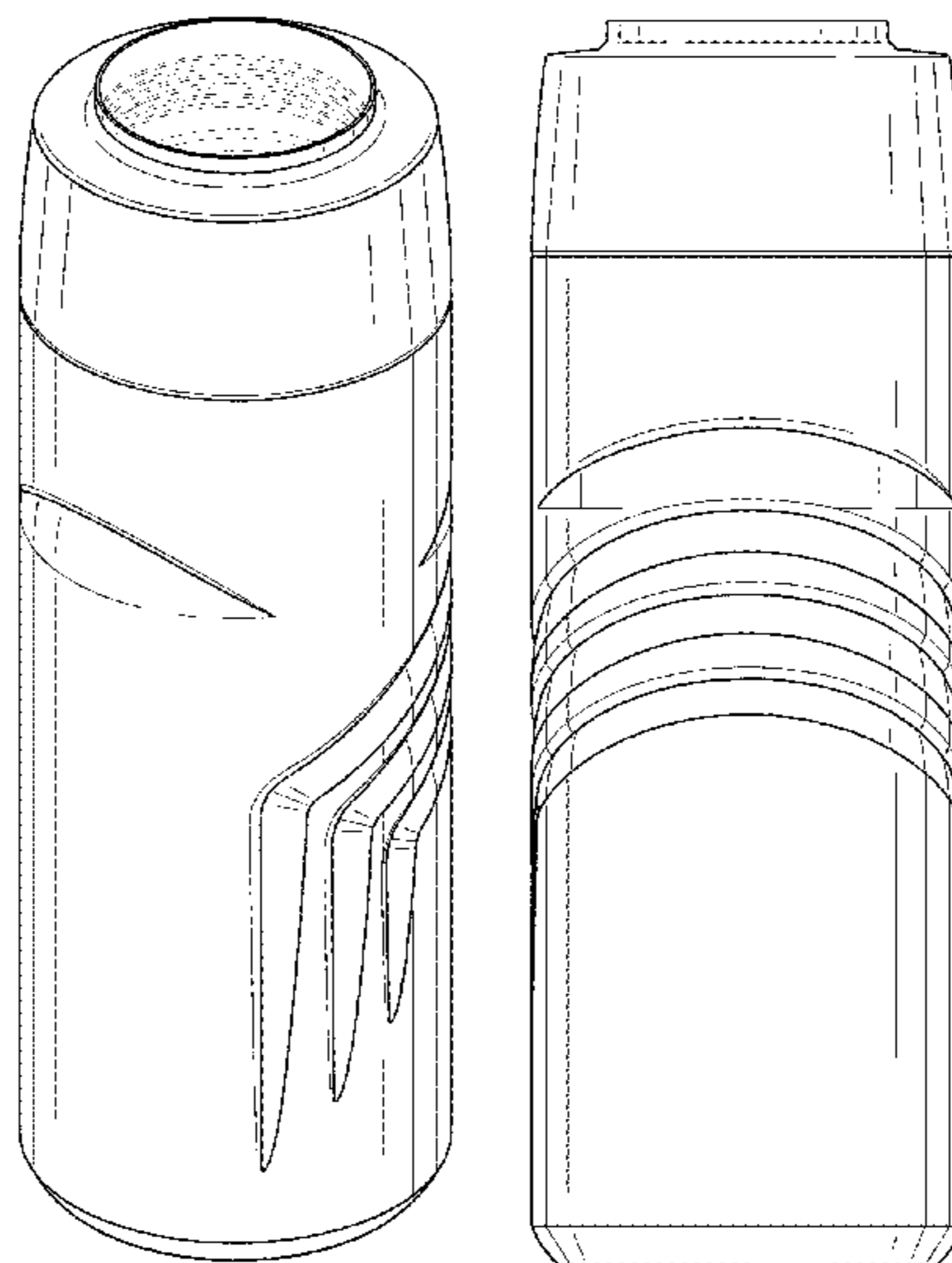
(57) **CLAIM**

The ornamental design for a bottle, as shown and described.

DESCRIPTION

FIG. 1 is a perspective view of a bottle showing our new design;
FIG. 2 is a front view of the bottle;
FIG. 3 is a rear view of the bottle;
FIG. 4 is a right side view of the bottle;
FIG. 5 is a left side view of the bottle;
FIG. 6 is a top view of the bottle; and,
FIG. 7 is a bottom view of the bottle.
The broken lines in the drawing depict portions of the bottle that form no part of the claimed design.

1 Claim, 4 Drawing Sheets



(56)

References Cited

U.S. PATENT DOCUMENTS

D587,069 S 2/2009 Bodum
 D590,661 S 4/2009 Kitamura et al.
 D593,414 S * 6/2009 Hunter D9/503
 D602,782 S * 10/2009 Lepoitevin D9/453
 D604,561 S 11/2009 Chisholm
 D609,053 S * 2/2010 Dingenouts D7/509
 D617,144 S * 6/2010 O'Connor D7/396.2
 D619,418 S 7/2010 Nezu et al.
 D622,545 S 8/2010 Wahl
 D622,553 S 8/2010 Bollenbacher
 D630,044 S 1/2011 Lane et al.
 D630,473 S 1/2011 Poppie
 D637,455 S 5/2011 Lipson
 D639,113 S * 6/2011 Hayes D7/509
 D642,472 S 8/2011 Concin et al.
 D642,473 S * 8/2011 Vanhooland D9/516
 8,016,148 B2 9/2011 Walsh
 D649,881 S 12/2011 Rinderer et al.
 D655,134 S 3/2012 Gilbert
 D655,569 S 3/2012 Lipson
 D655,581 S 3/2012 Kotani
 D656,025 S 3/2012 Carreno
 D658,445 S 5/2012 Carreno
 D660,081 S 5/2012 Gilbert
 D660,082 S 5/2012 Wahl
 D660,705 S 5/2012 Simmons et al.
 D672,648 S 12/2012 Goto et al.
 D675,865 S 2/2013 Wahl
 D680,369 S * 4/2013 Starks D7/392.1
 D686,872 S 7/2013 Lane
 8,474,648 B1 7/2013 Ritzen

D688,949 S 9/2013 Johnson et al.
 D690,557 S 10/2013 Carreno et al.
 D695,069 S 12/2013 Lane
 D699,516 S 2/2014 Kim et al.
 D700,802 S 3/2014 Miller
 D702,505 S 4/2014 Nakatani
 D707,492 S 6/2014 George et al.
 D710,653 S 8/2014 Goto et al.
 D718,626 S 12/2014 Lane
 D718,980 S * 12/2014 Lapsker D7/532
 D722,249 S 2/2015 Valderrama et al.
 D725,966 S 4/2015 Boroski et al.
 D725,968 S * 4/2015 George D7/511
 D727,685 S 4/2015 He
 D734,154 S 7/2015 Johnson et al.
 D735,580 S * 8/2015 Bourne D9/538
 D740,073 S 10/2015 Zorovich et al.
 D744,290 S 12/2015 Endo
 D752,446 S * 3/2016 Jasso Gomez D9/543
 2003/0080135 A1 5/2003 Bezek
 2008/0101850 A1 5/2008 Wojcik et al.
 2009/0290928 A1 11/2009 Samuelson et al.
 2010/0219153 A1 * 9/2010 Mooney B65D 1/0223
 215/381
 2016/0000245 A1 1/2016 Sims
 2016/0115008 A1 4/2016 Bohlen

OTHER PUBLICATIONS

U.S. Appl. No. 29/523,348, filed Apr. 8, 2015 (16 pages).
 U.S. Appl. No. 29/523,349, filed Apr. 8, 2015 (16 pages).
 U.S. Appl. No. 29/523,228, filed Apr. 7, 2015 (16 pages).

* cited by examiner

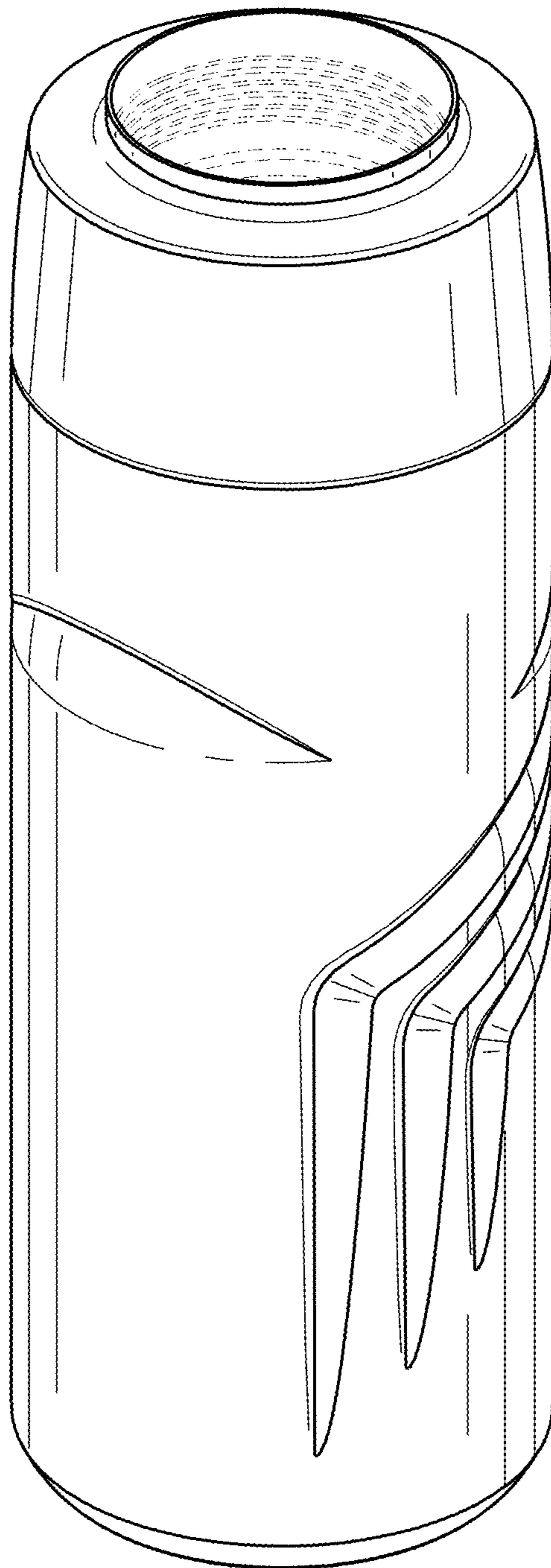


FIG. 1

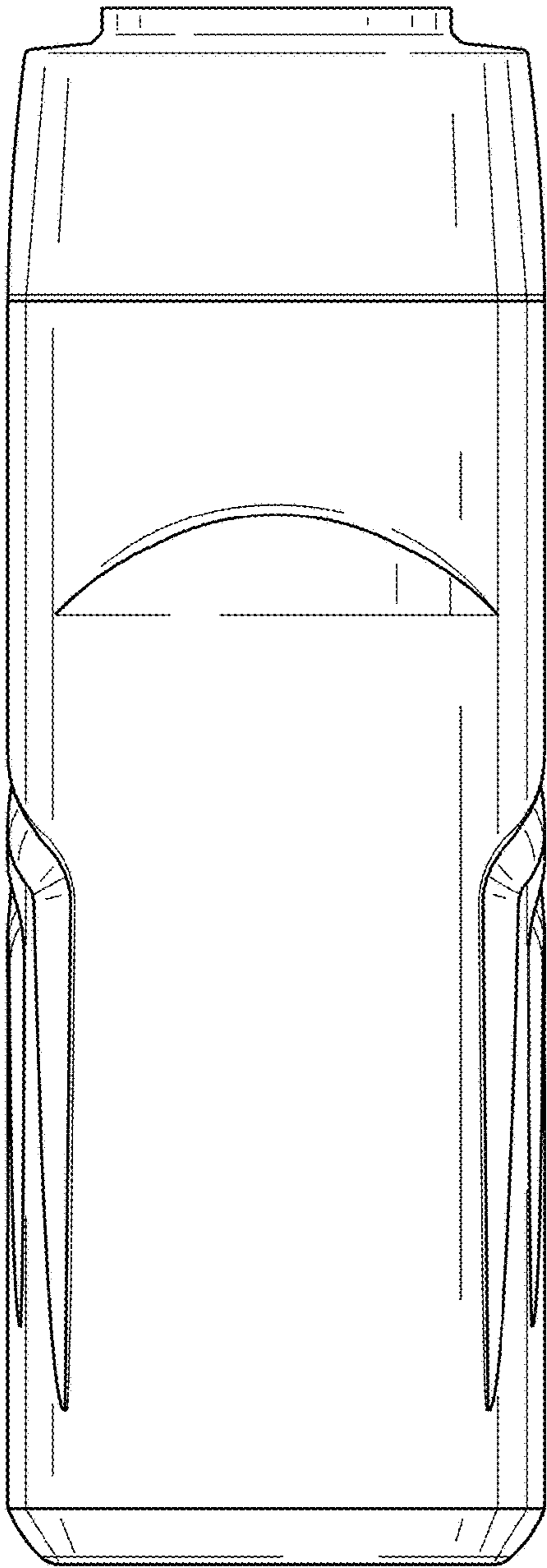


FIG. 2

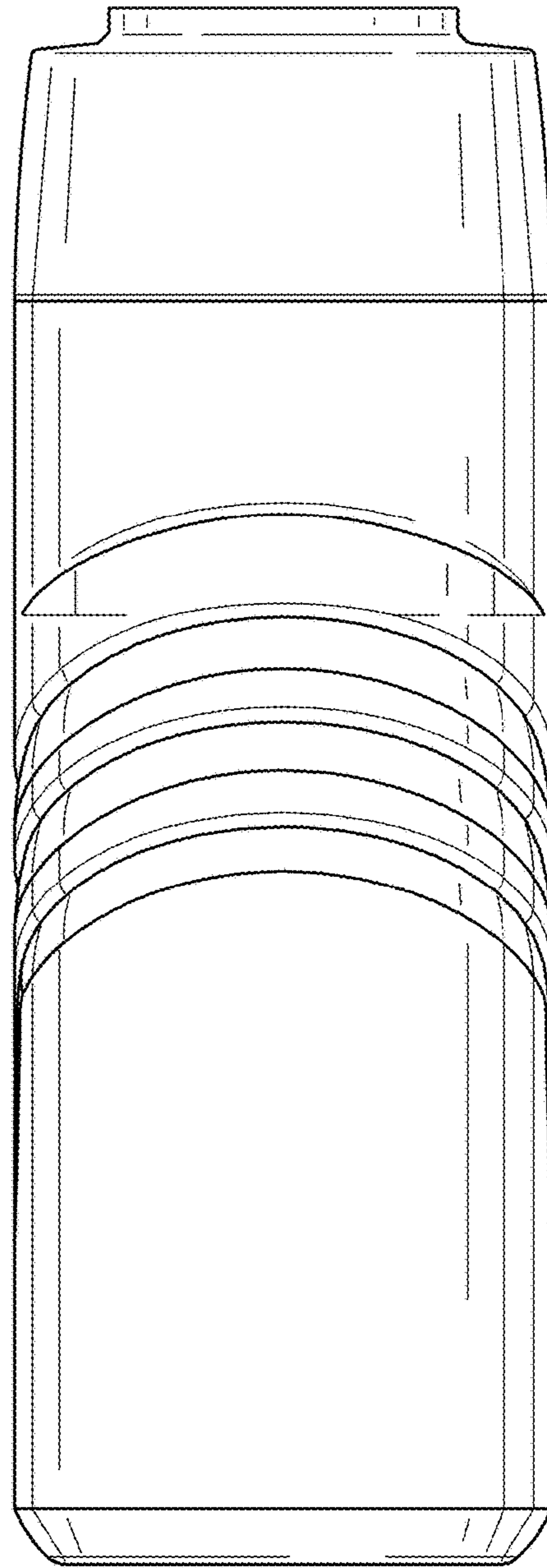


FIG. 3

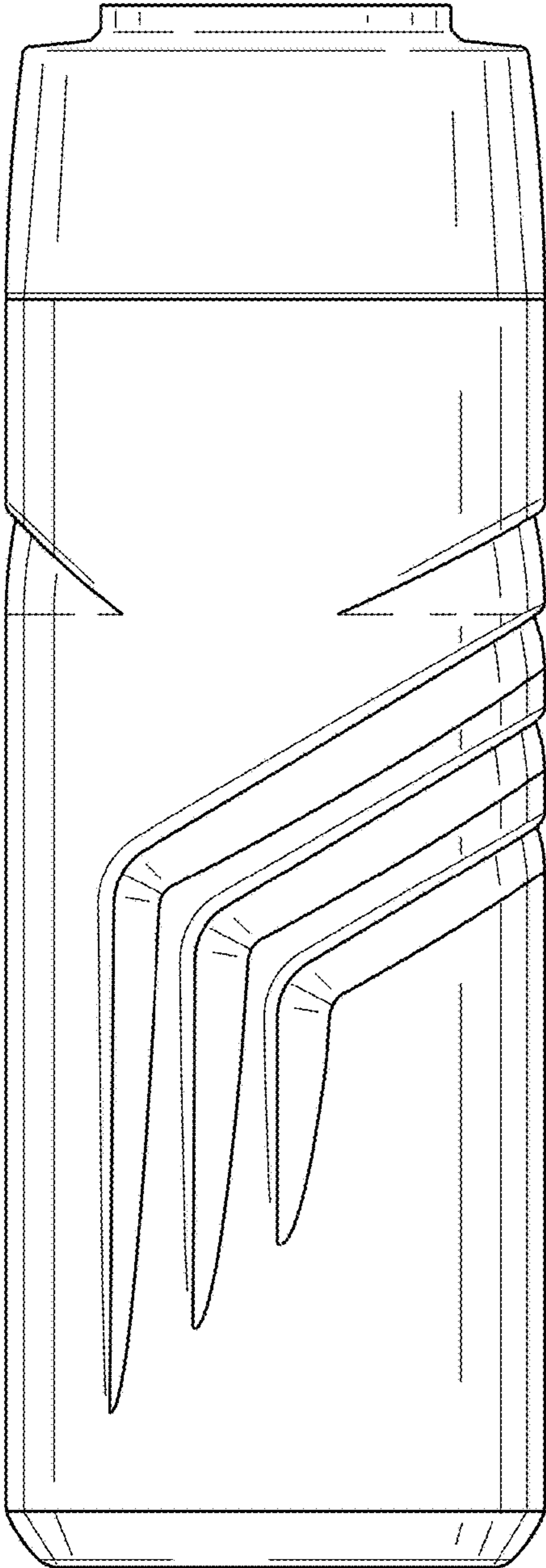


FIG. 4

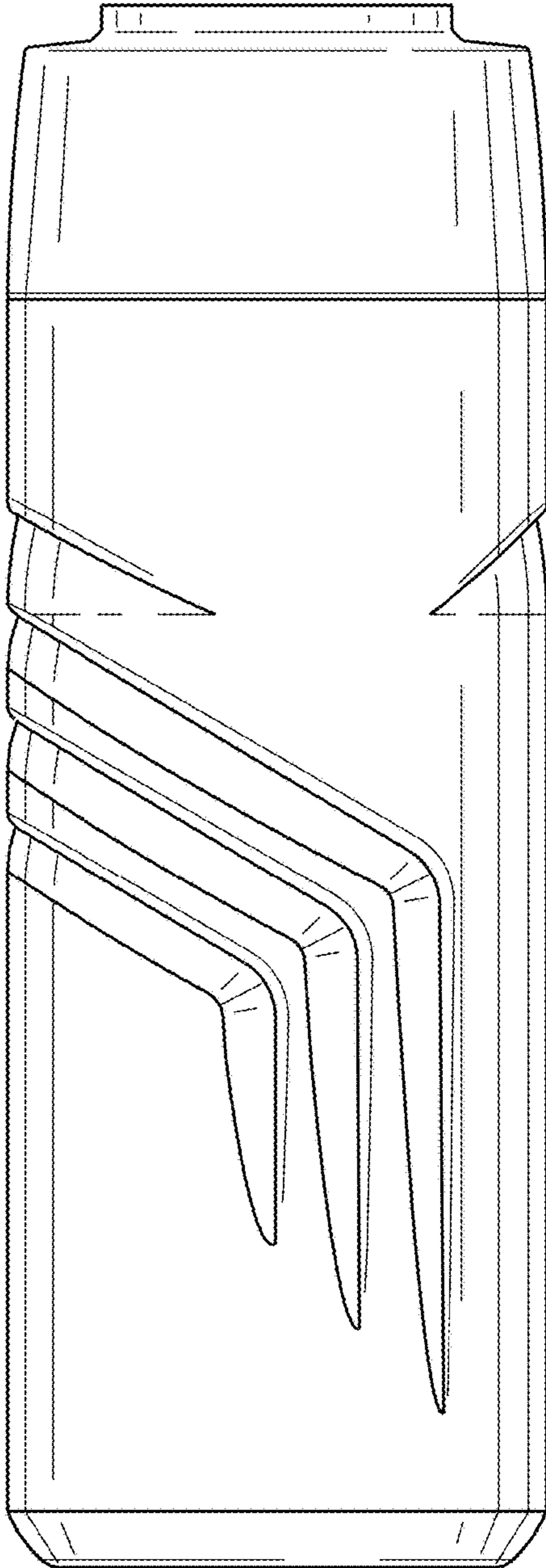


FIG. 5

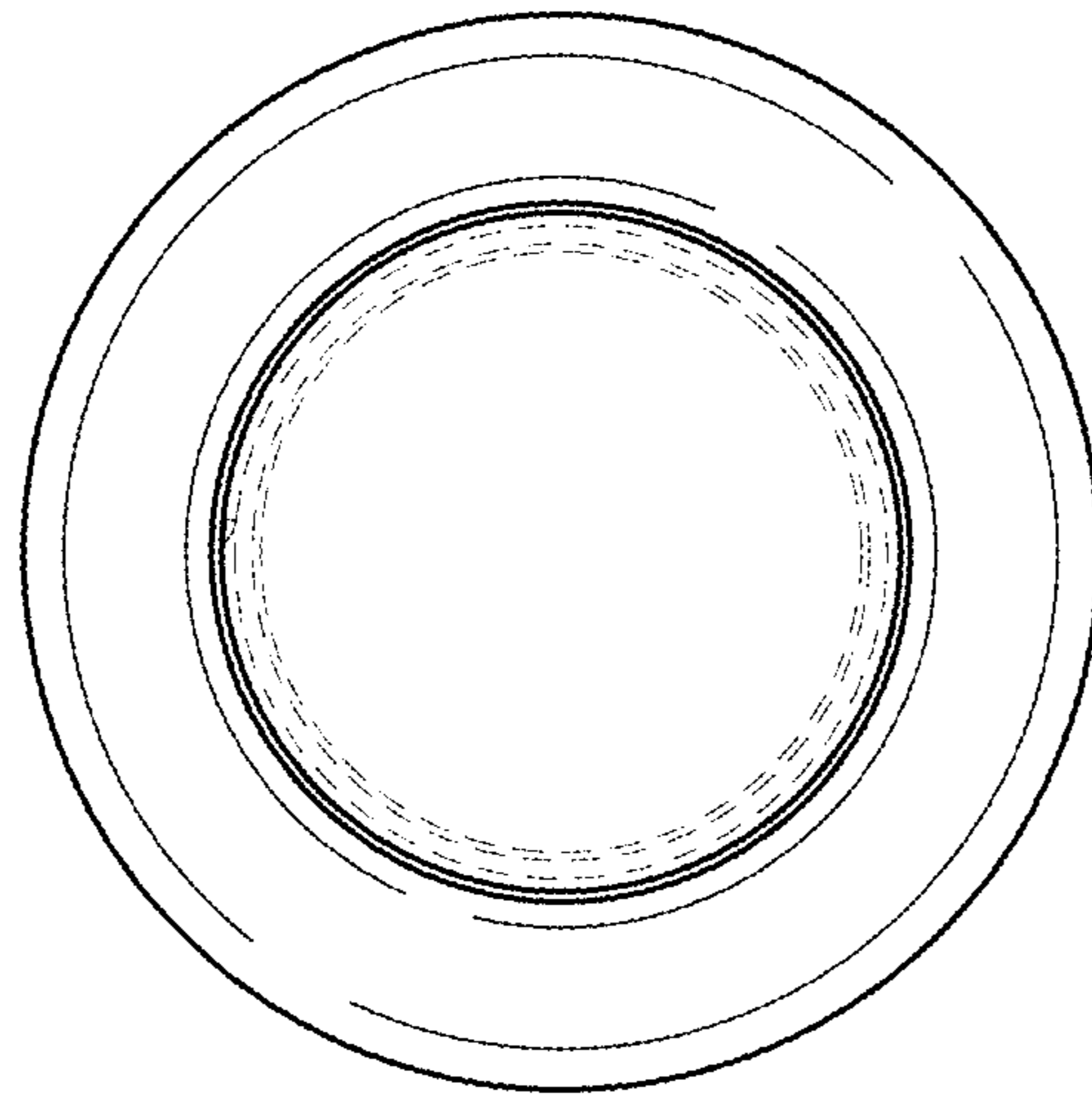


FIG. 6

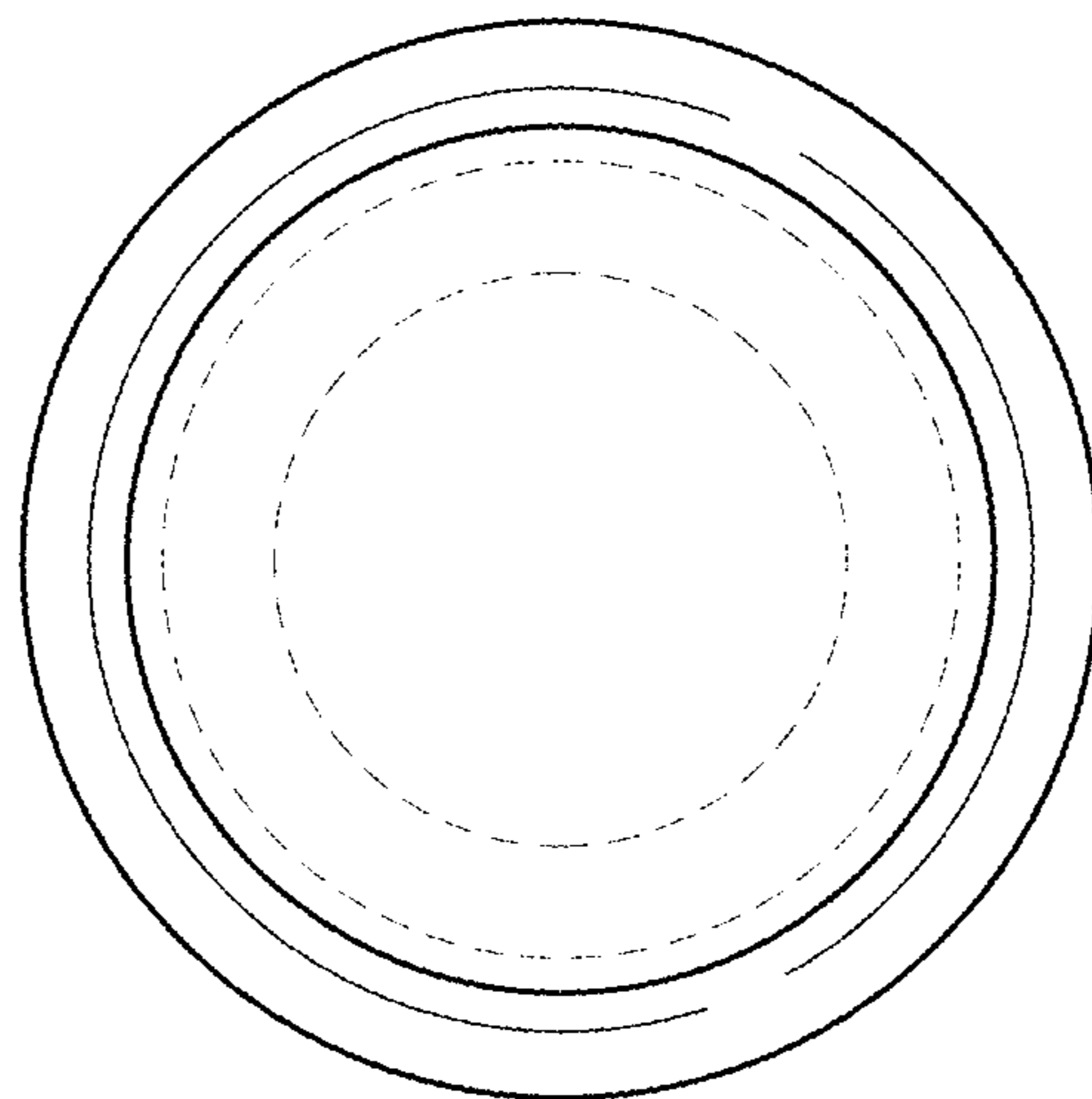


FIG. 7