



US00D778113S

(12) **United States Design Patent** (10) **Patent No.:** **US D778,113 S**
Ni (45) **Date of Patent:** **** Feb. 7, 2017**

(54) **WATER CONTAINER**

(71) Applicant: **YUHAO INTERNATIONAL TRADING USA INC.**, San Marino, CA (US)

(72) Inventor: **Zhenming Ni**, San Marino, CA (US)

(73) Assignee: **YUHAO INTERNATIONAL TRADING USA INC.**, San Marino, CA (US)

(**) Term: **14 Years**

(21) Appl. No.: **29/526,042**

(22) Filed: **May 6, 2015**

(30) **Foreign Application Priority Data**

Mar. 11, 2015 (CN) 2015 3 0057745

(51) **LOC (10) Cl.** **07-01**

(52) **U.S. Cl.**

USPC **D7/510; D7/511; D7/531; D7/507**

(58) **Field of Classification Search**

USPC D7/507, 509, 510, 511, 523, 529, 530, D7/531, 532, 533, 536, 607, 608, 391, D7/392.1, 396.1, 396.2, 560, 629; D24/197; D9/435, 436, 440, 443, 445, D9/447, 448, 454, 449, 450, 516, 517, D9/530, 551, 552, 564, 565, 500, 503, D9/537, 550, 553, 563, 504, 566; 215/381, 382, 383, 384, 396, 398, 400; 222/211, 212, 213; 220/771

CPC A45F 3/16; B65D 47/066; B65D 41/0414; B65D 43/02; B65D 47/08; B65D 51/18; B65D 41/62; A47G 19/2266

See application file for complete search history.

(56) **References Cited**

U.S. PATENT DOCUMENTS

D189,679 S * 1/1961 Sampson D7/509
4,883,251 A * 11/1989 Manas F25C 1/24
206/509

5,203,468 A * 4/1993 Hsu A47G 19/2272
220/254.3
D355,121 S * 2/1995 Kohl D9/447
D363,222 S * 10/1995 Lay D9/447
D411,442 S * 6/1999 Edson D9/668
D495,199 S * 8/2004 Matthews D7/396.2
D504,280 S * 4/2005 Chuang D7/530
D542,132 S * 5/2007 Pugne D9/449
D551,906 S * 10/2007 Stewart-Stand D7/509
D585,739 S * 2/2009 Dombrowski D9/446
D604,159 S * 11/2009 Pugne D9/449
D608,140 S * 1/2010 Gilbert D7/392.1
D609,092 S * 2/2010 Laib D9/449
D622,546 S * 8/2010 Bodum D7/510
7,975,883 B2 * 7/2011 Laib B65D 23/102
222/484
D711,248 S * 8/2014 Martin D9/551

* cited by examiner

Primary Examiner — Marianne Pandozzi

Assistant Examiner — Jae Liang

(74) *Attorney, Agent, or Firm* — Raymond Y. Chan;
David and Raymond Patent Firm

(57) **CLAIM**

The ornamental design for a water container, as shown and described.

DESCRIPTION

FIG. 1 is a perspective view of a water container showing my new design;

FIG. 2 is a front view thereof;

FIG. 3 is a rear view thereof;

FIG. 4 is a left view thereof;

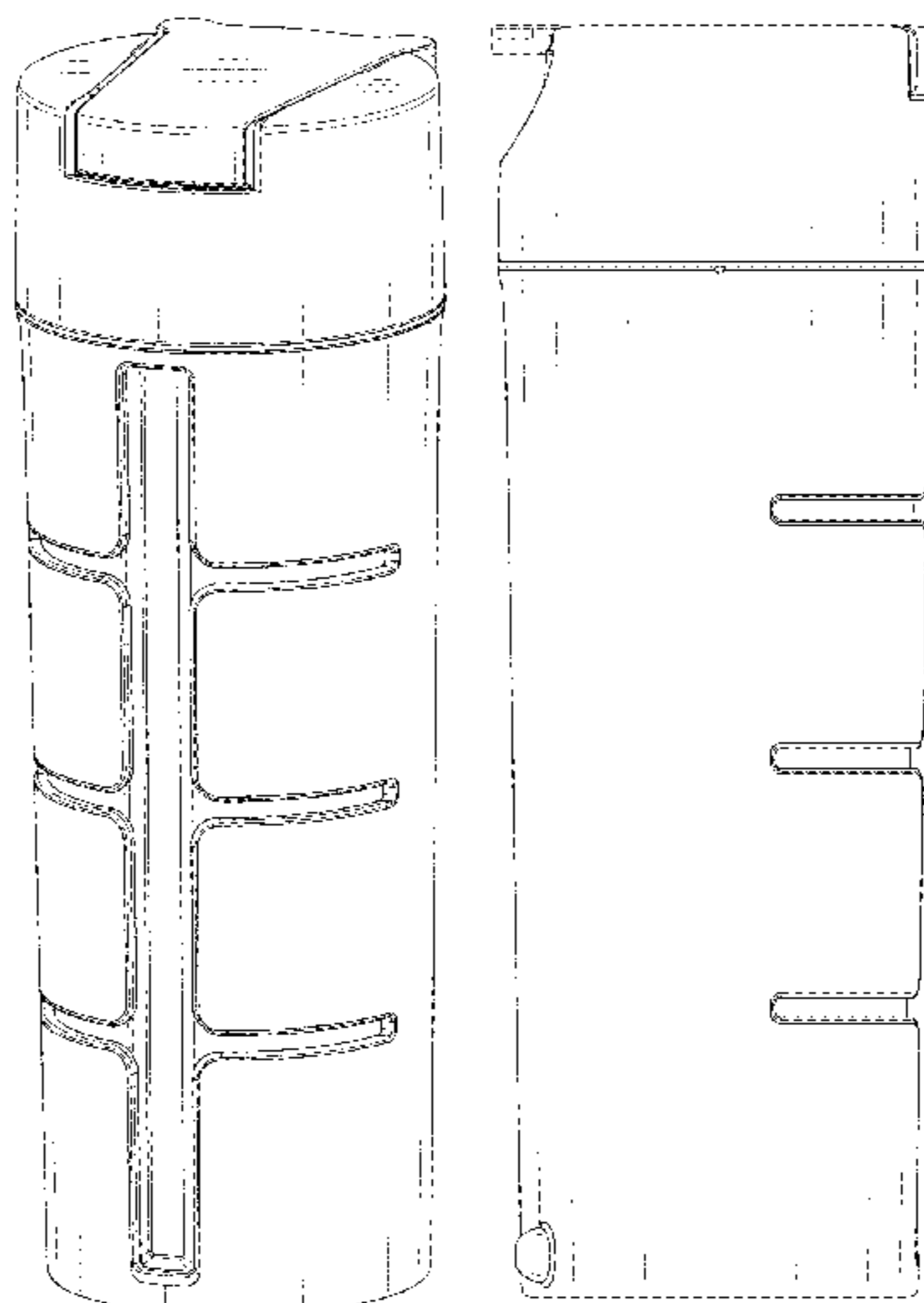
FIG. 5 is a right side view thereof;

FIG. 6 is a top side view thereof; and,

FIG. 7 is a bottom view thereof.

The broken lines in the drawing depict portions of the water container that form no part of the claimed design.

1 Claim, 7 Drawing Sheets



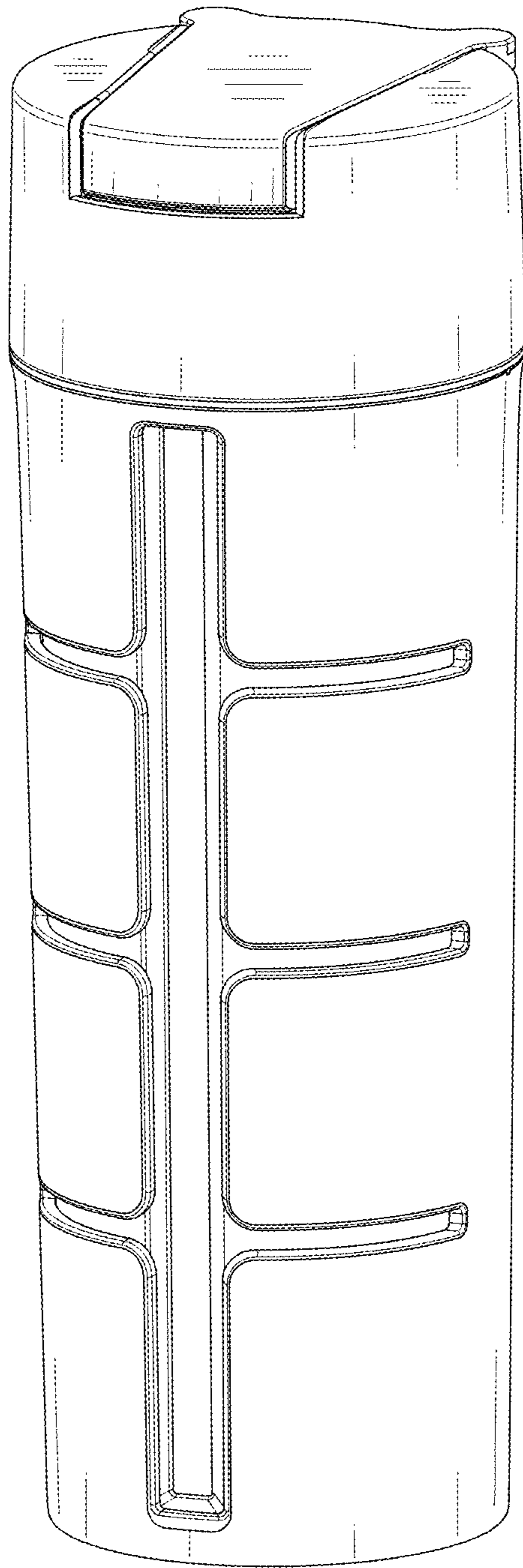


FIG.1

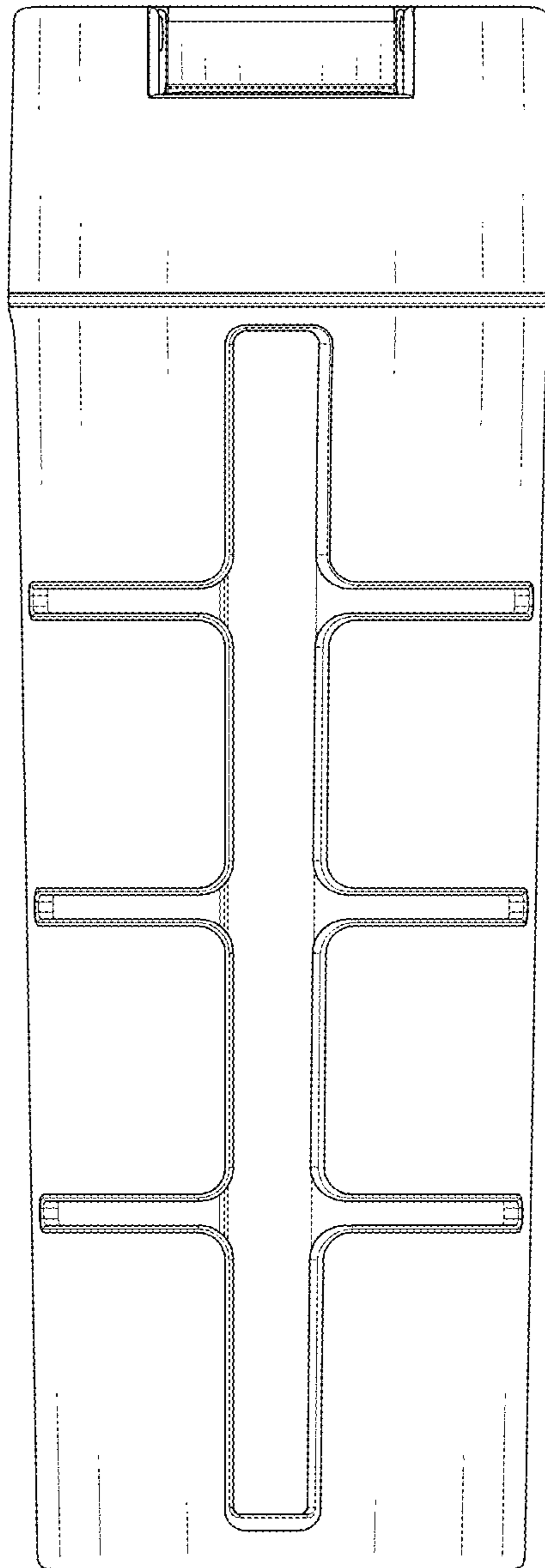


FIG.2

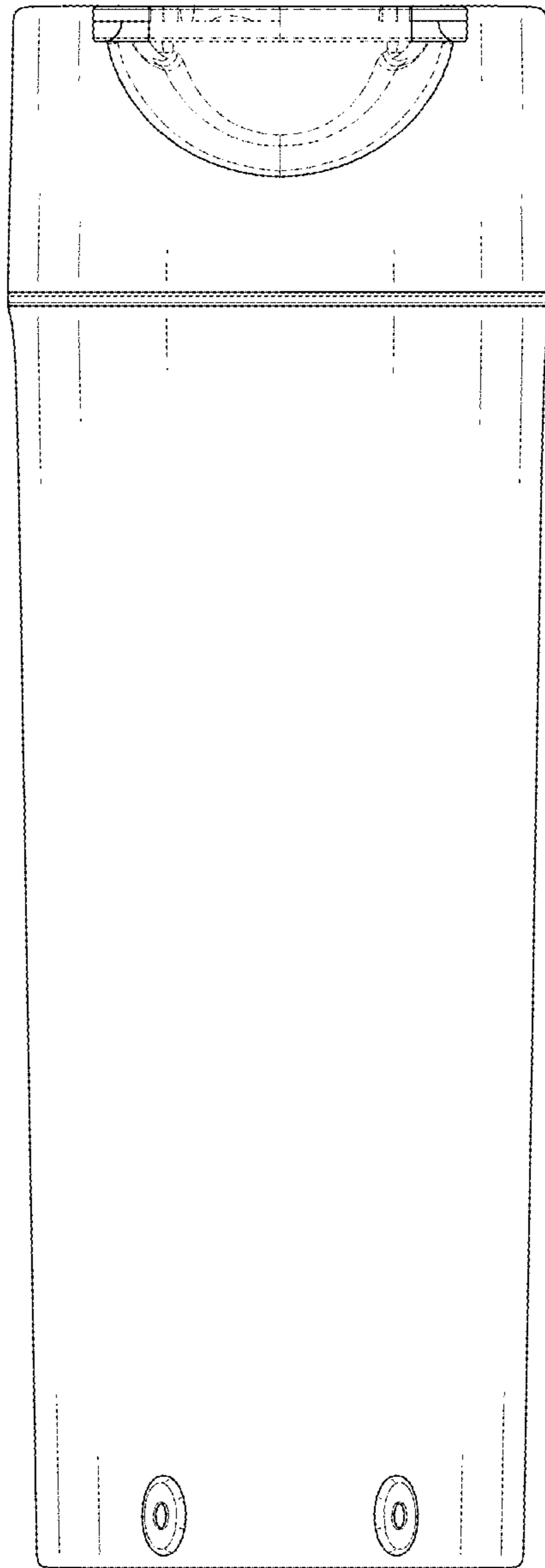


FIG.3

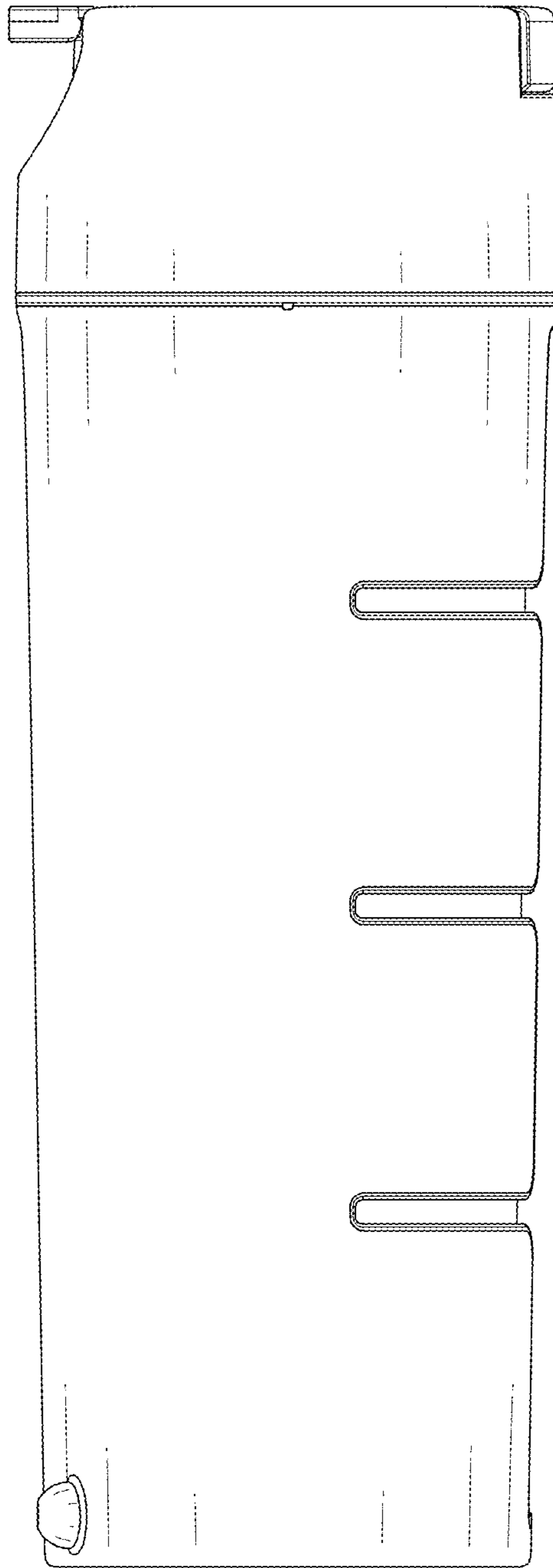


FIG.4

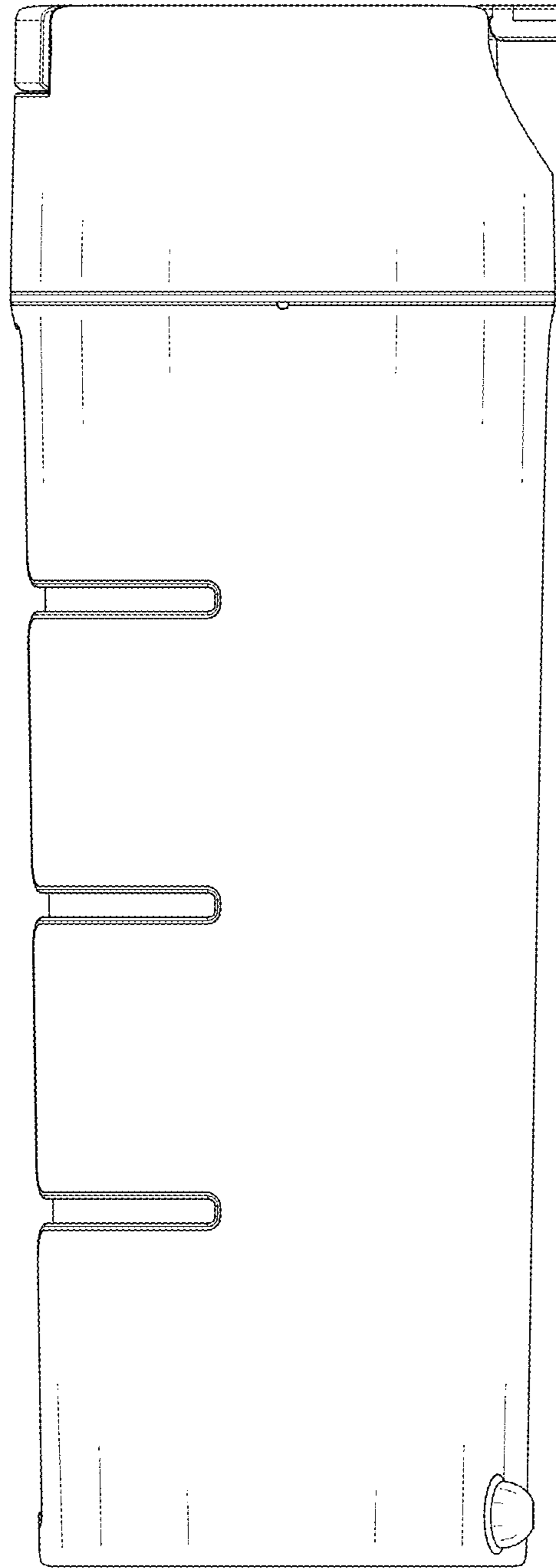


FIG.5

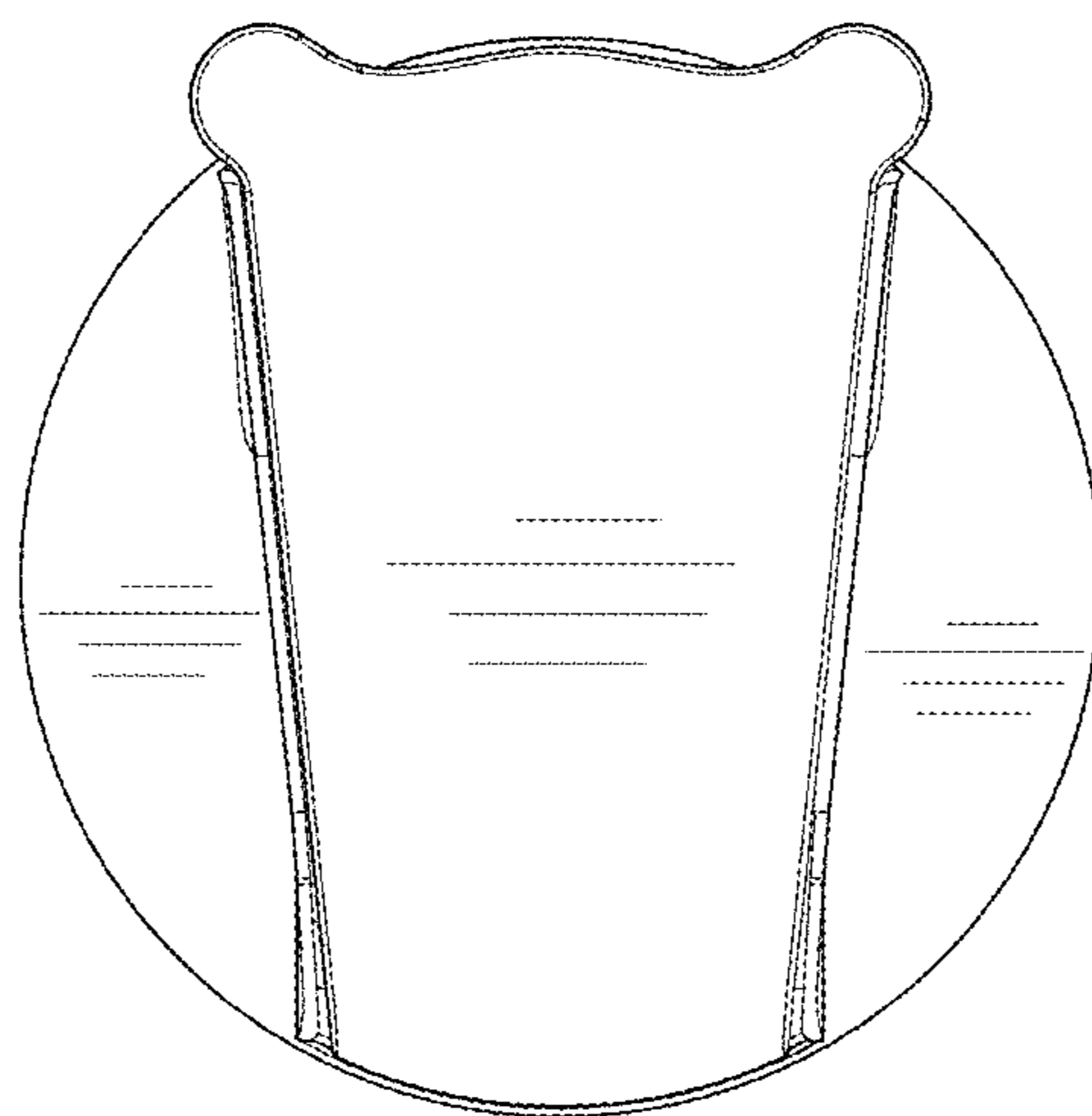


FIG.6

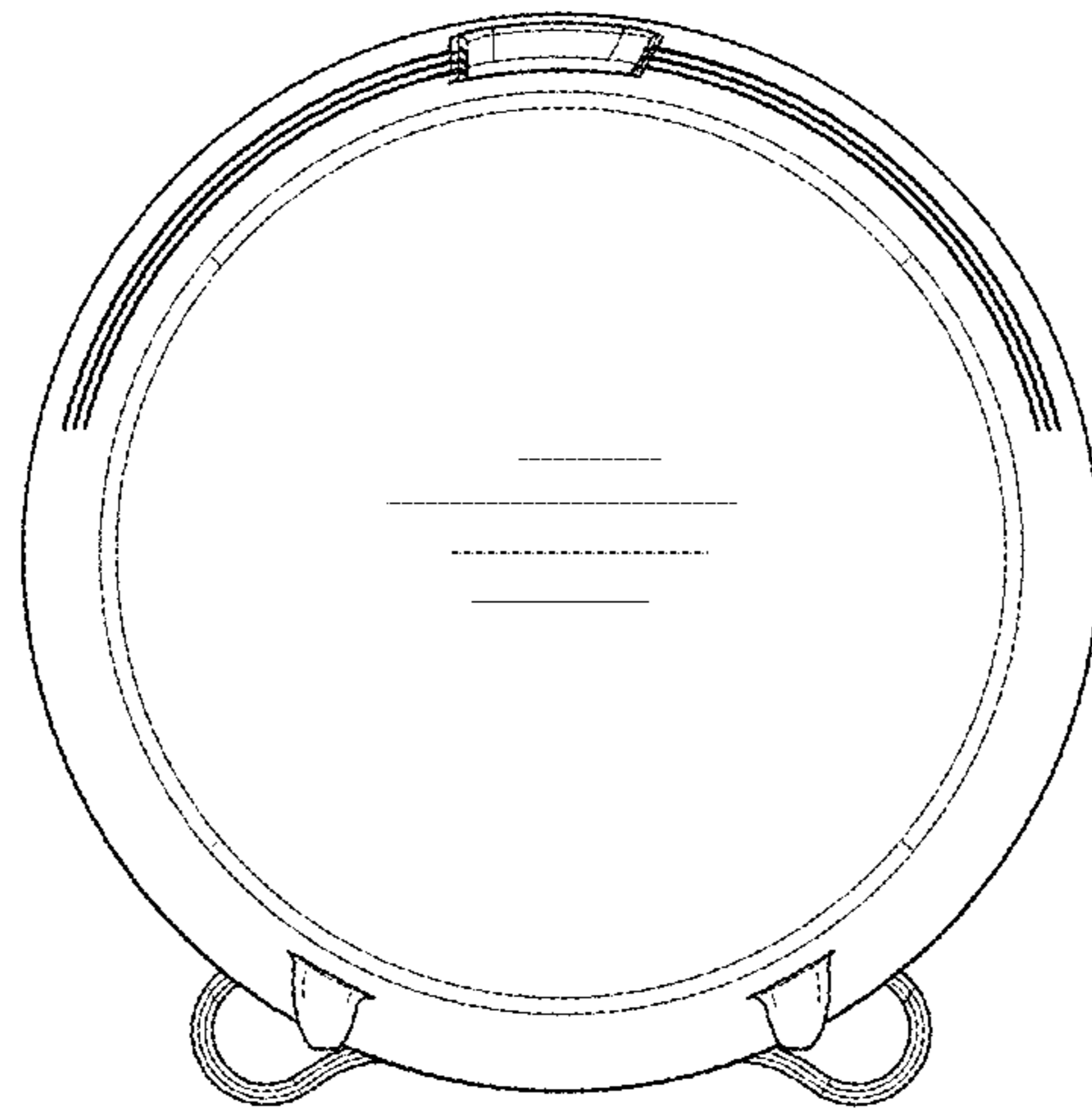


FIG.7