



US00D778112S

(12) **United States Design Patent** (10) **Patent No.:** **US D778,112 S**
Szymanski (45) **Date of Patent:** **** Feb. 7, 2017**

- (54) **TWO COMPARTMENT CONTAINER**
- (71) Applicant: **Aaron Szymanski**, Thomaston, CT (US)
- (72) Inventor: **Aaron Szymanski**, Thomaston, CT (US)
- (73) Assignee: **IdeaVillage Products Corporation**, Wayne, NJ (US)
- (**) Term: **15 Years**
- (21) Appl. No.: **29/505,754**
- (22) Filed: **Feb. 1, 2016**
- (51) **LOC (10) Cl.** **07-01**
- (52) **U.S. Cl.**
USPC **D7/510**
- (58) **Field of Classification Search**
USPC D07/509-511, 513, 523, 529, 532, 538;
D09/424, 425, 528, 429, 434-436, 454;
220/592.16, 592.17, 694, 703, 711, 737
CPC . A47G 19/2205; B65D 41/04; B65D 41/0414;
B65D 3/24
See application file for complete search history.

D688,521 S *	8/2013	Lees	D7/510
D688,523 S *	8/2013	Lees	D7/510
D713,686 S *	9/2014	Eyal	D7/509
D720,183 S *	12/2014	Chiang	D7/510
D723,871 S *	3/2015	Khubani	D7/505
D726,499 S *	4/2015	Kim	D7/510
D730,696 S *	6/2015	Nemeth	D7/523
D744,780 S *	12/2015	Lindsay	D7/510
D747,147 S *	1/2016	Sanbar	D7/510
D755,013 S *	5/2016	Khubani	D7/510
D757,497 S *	5/2016	Bodum	D7/509
D767,335 S *	9/2016	Khubani	D7/507
9,463,899 B2 *	10/2016	Strominger	B65D 21/0209

* cited by examiner

Primary Examiner — Cynthia Ramirez

Assistant Examiner — Andrew Kerr

(74) *Attorney, Agent, or Firm* — Dan DeLaRosa

(57) **CLAIM**

The ornamental design for a two compartment container, as shown and described.

DESCRIPTION

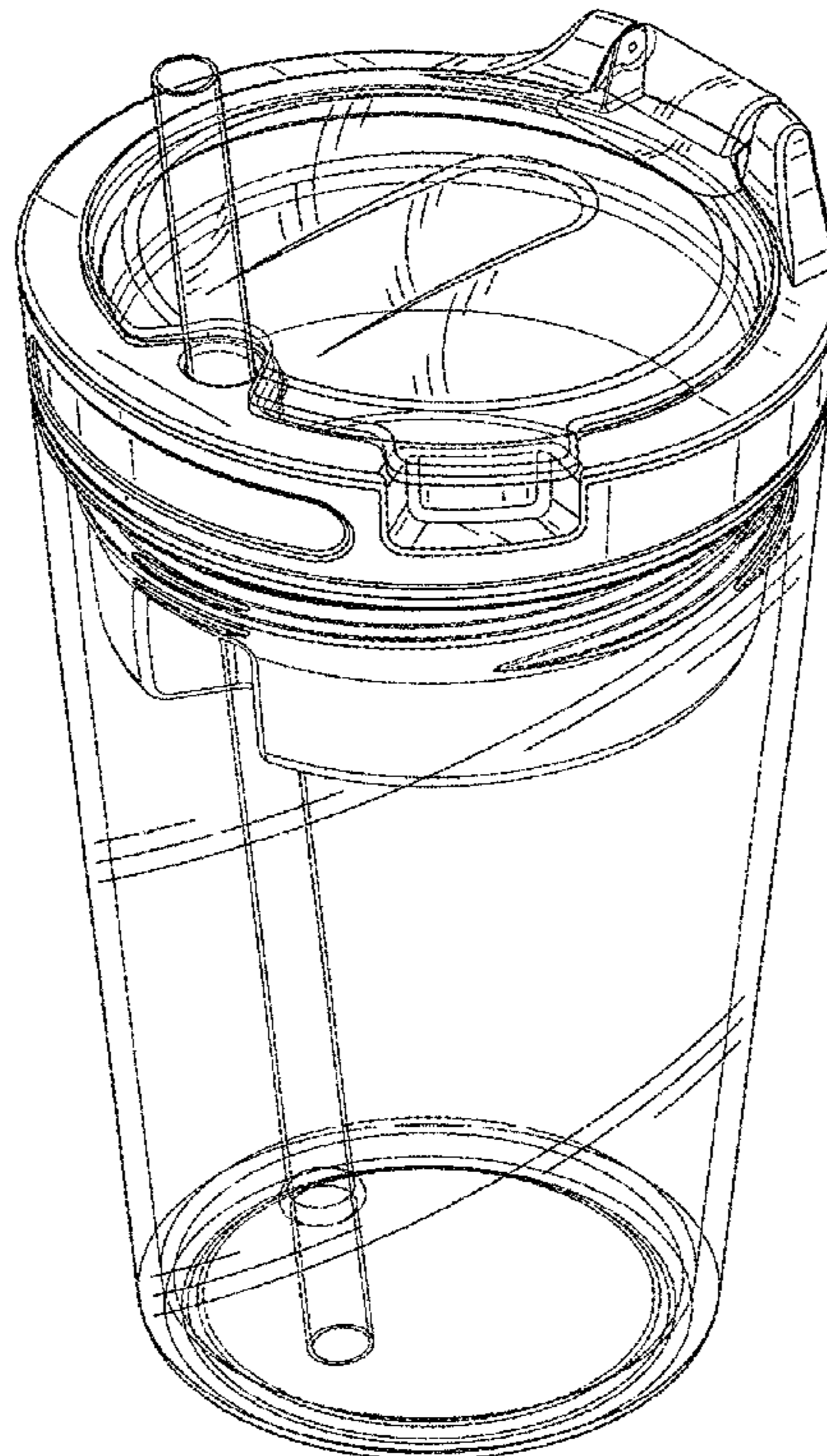
FIG. 1 is a front, top, right perspective view of a two compartment container showing my new design;
FIG. 2 is a front side elevation view thereof;
FIG. 3 is back side elevation view thereof;
FIG. 4 is a left side elevation view thereof;
FIG. 5 is right side elevation view thereof
FIG. 6 is a top plan view thereof; and,
FIG. 7 is a bottom plan view thereof.

1 Claim, 7 Drawing Sheets

(56) **References Cited**

U.S. PATENT DOCUMENTS

D531,445 S *	11/2006	Bodum	D7/312
D627,603 S *	11/2010	Eyal	D7/510
D674,241 S *	1/2013	Bickert	D7/510



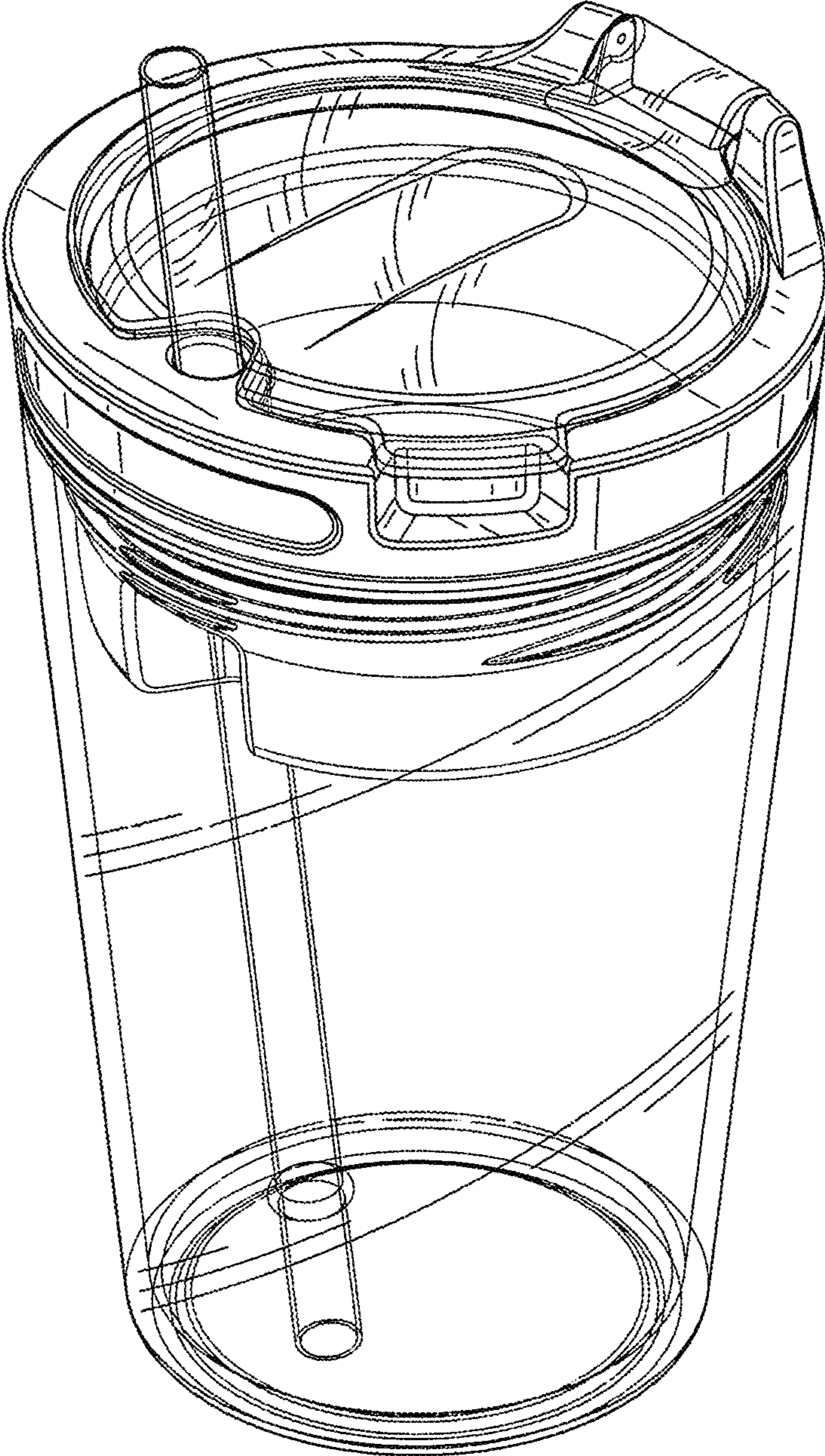


FIG. 1

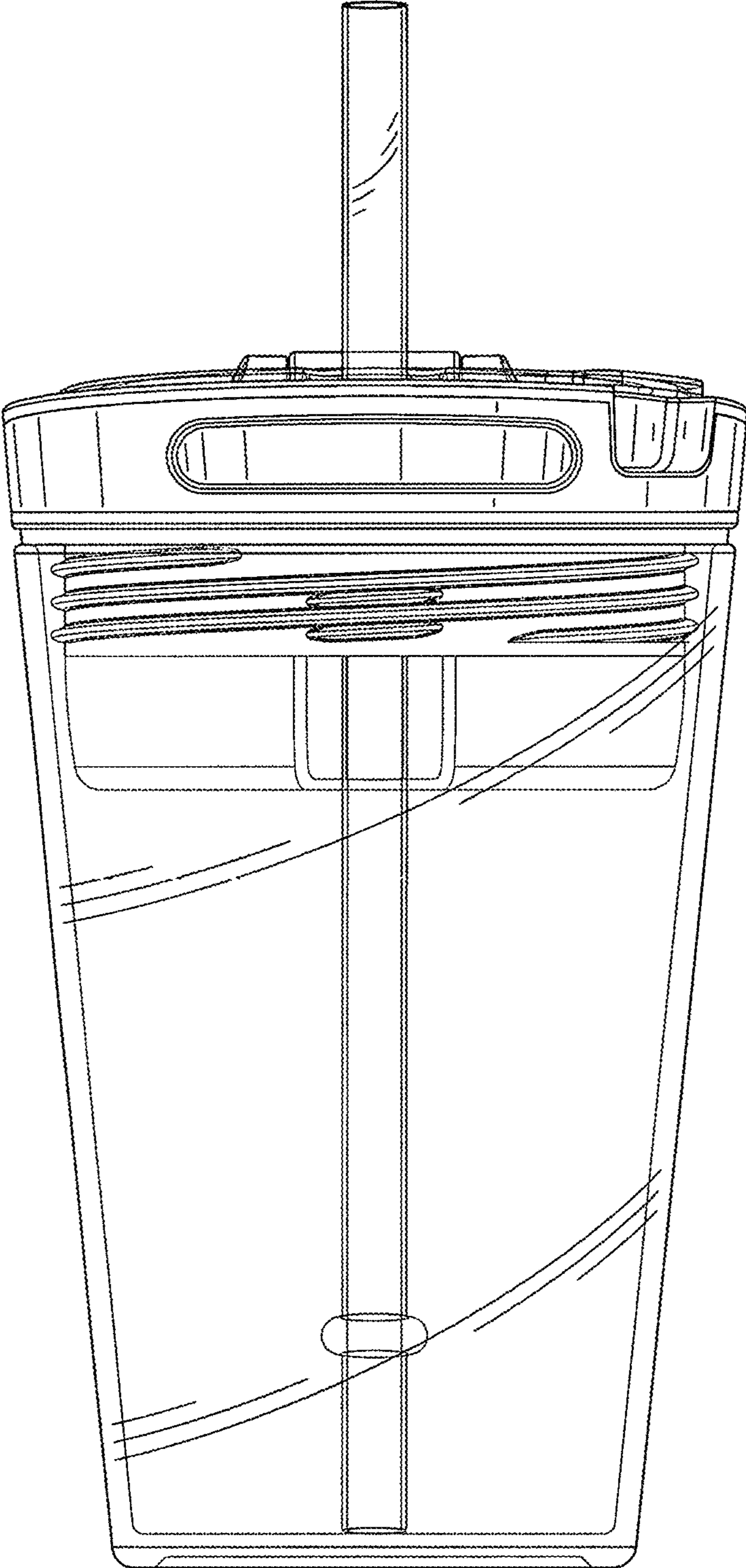


FIG. 2

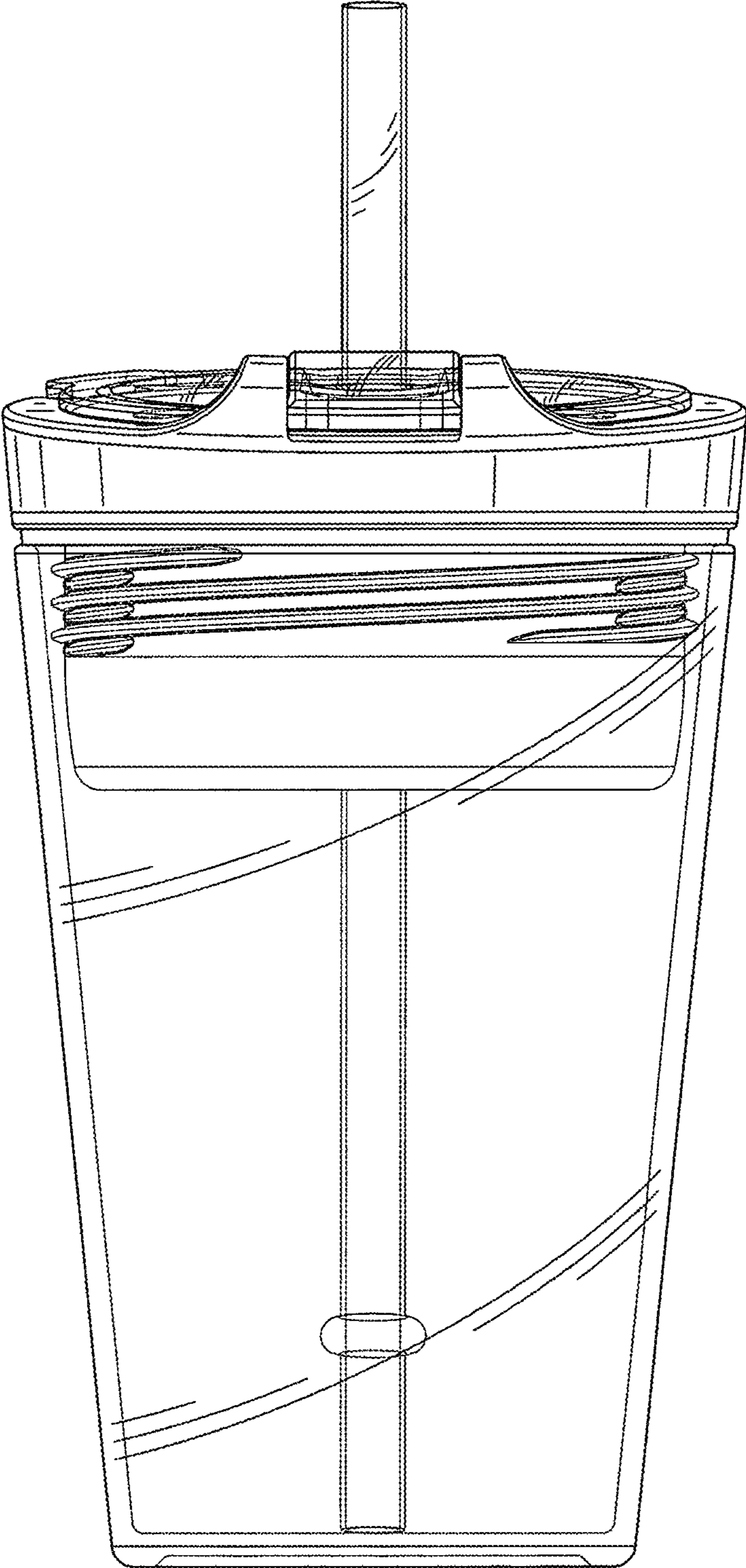


FIG. 3

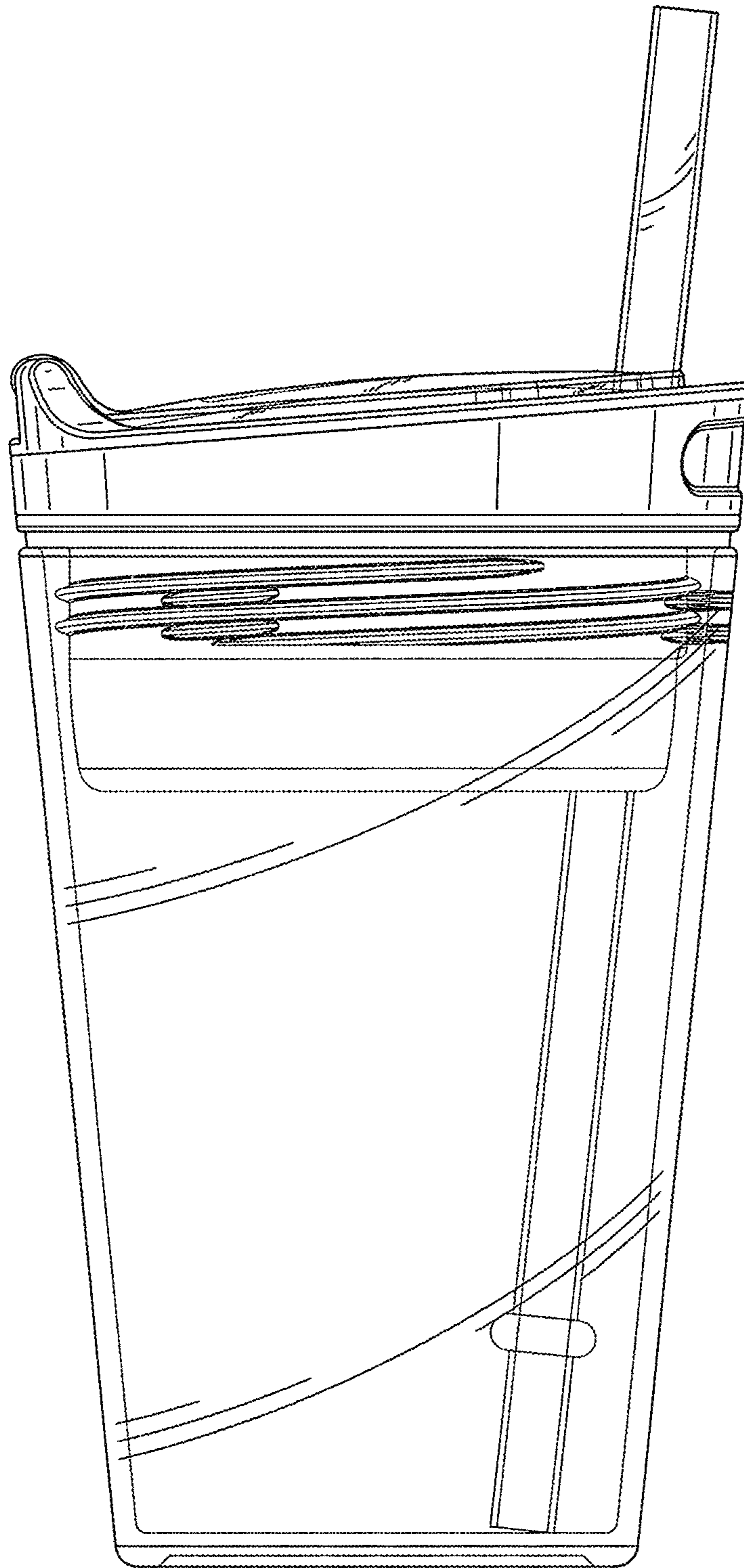


FIG. 4

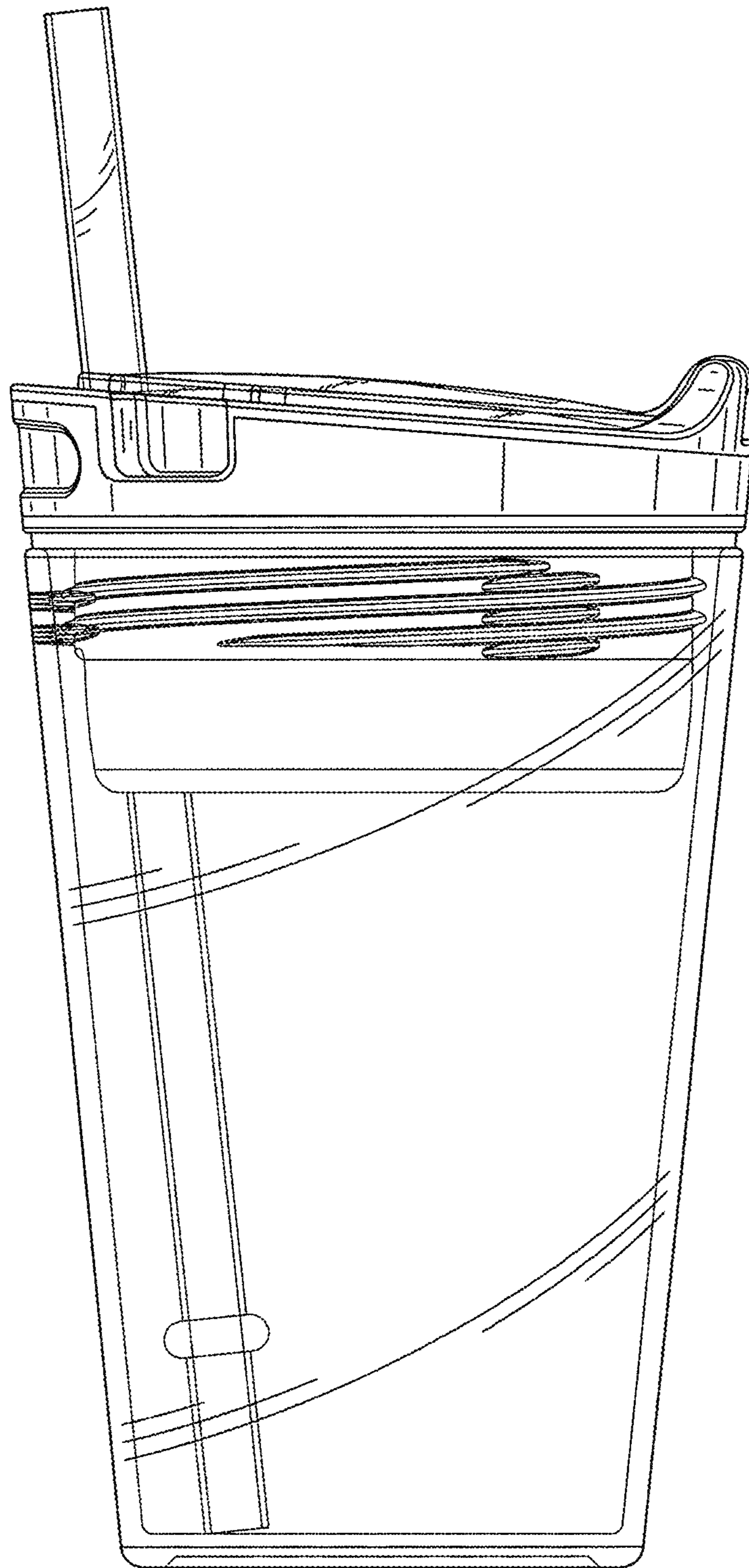


FIG. 5

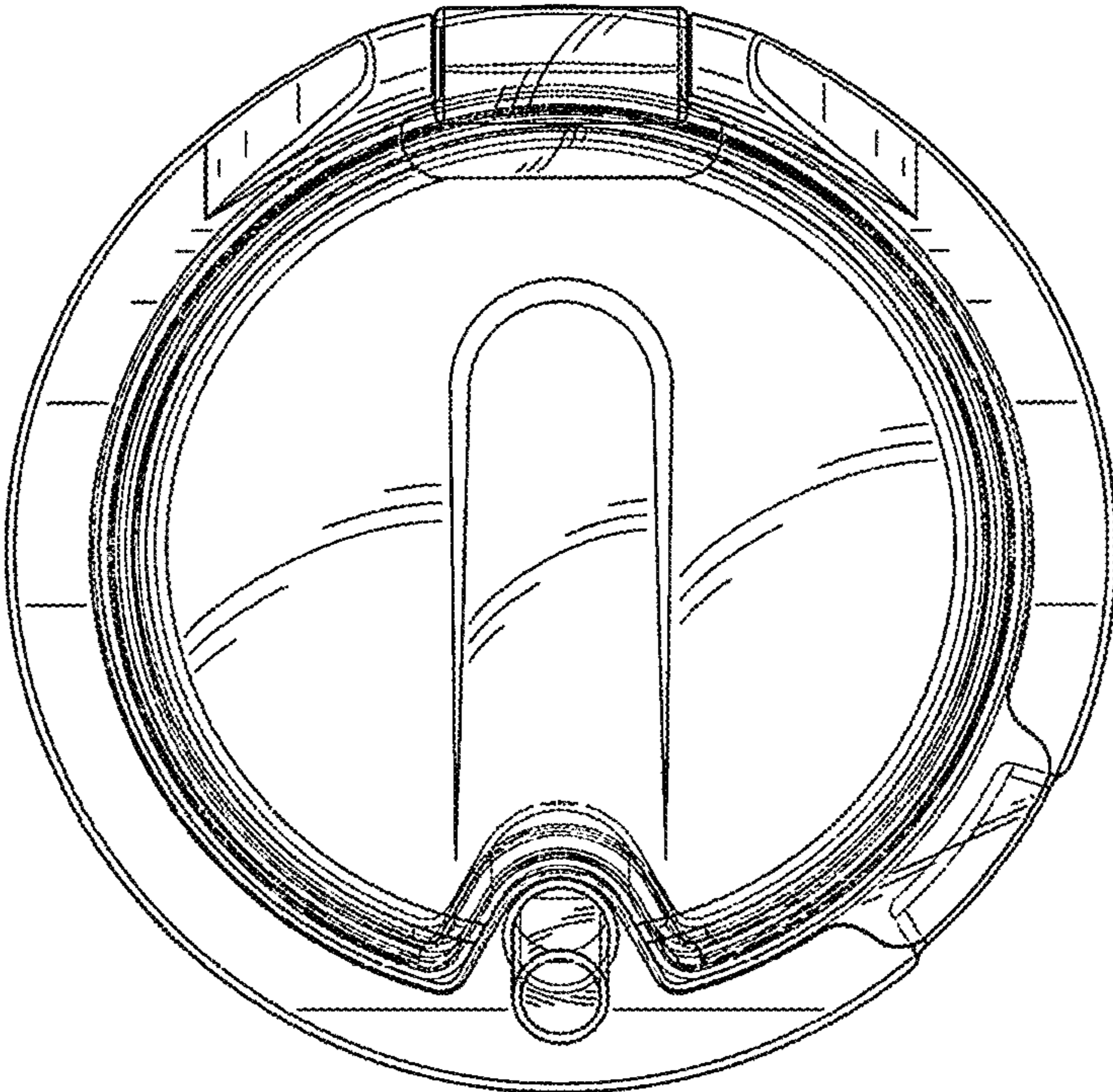


FIG. 6

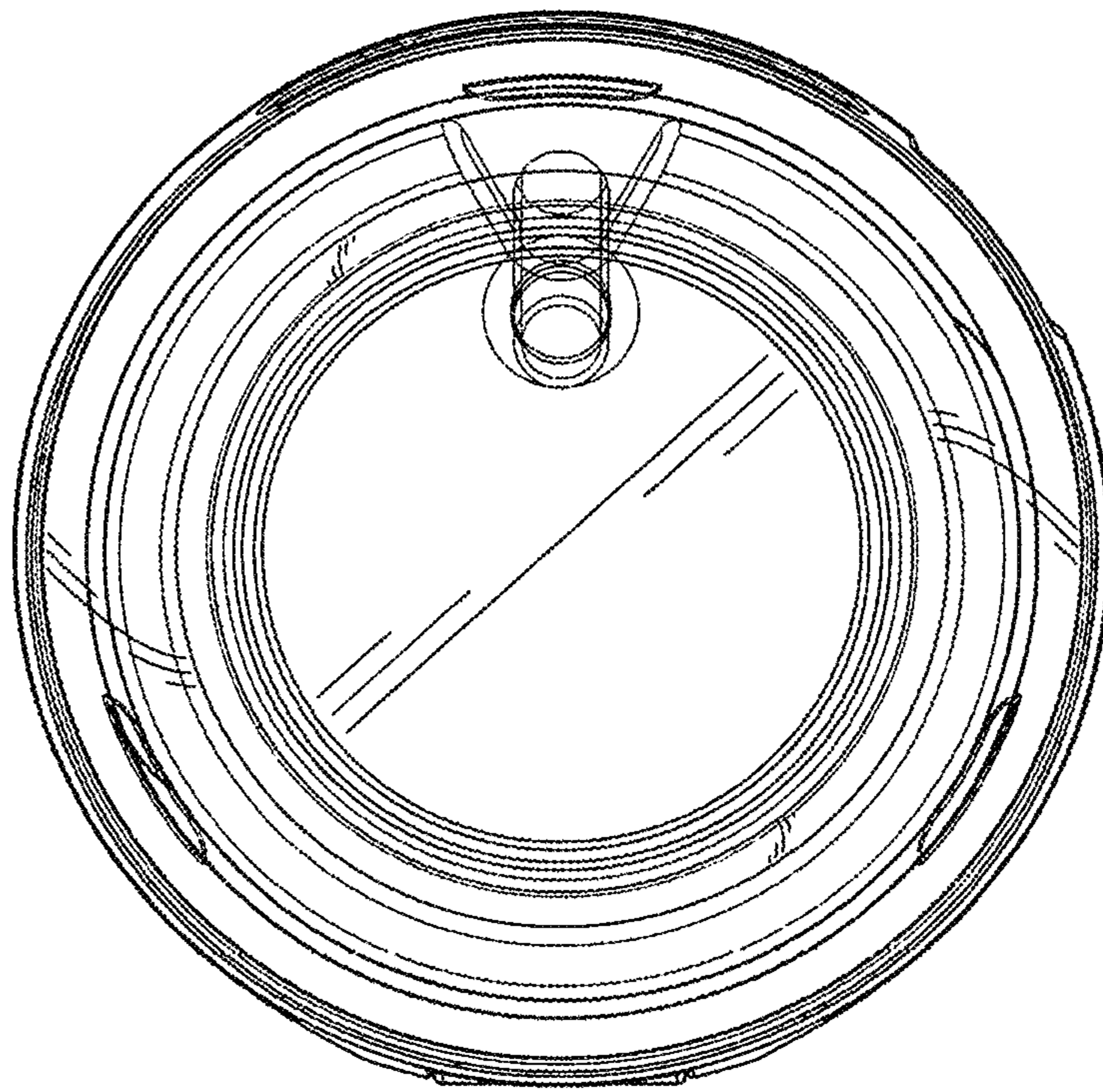


FIG. 7