



US00D778107S

(12) **United States Design Patent** (10) **Patent No.:** **US D778,107 S**
Keating (45) **Date of Patent:** **** Feb. 7, 2017**

(54) **KITCHEN IMPLEMENT HANDLE**

(71) Applicant: **TUESDAY MORNING PARTNERS, LTD.**, Dallas, TX (US)

(72) Inventor: **Daniel S. Keating**, Colorado Springs, CO (US)

(73) Assignee: **TUESDAY MORNING PARTNERS, LTD.**, Dallas, TX (US)

(**) Term: **15 Years**

(21) Appl. No.: **29/532,194**

(22) Filed: **Jul. 2, 2015**

(51) **LOC (10) Cl.** **07-02**

(52) **U.S. Cl.**
USPC **D7/395**

(58) **Field of Classification Search**
USPC D7/354-361, 391, 393, 401.2, 402, 642, D7/664, 688-694; D8/107, 300, 307; D4/138
CPC A47J 45/06; A47J 45/061; A47J 45/62; A47J 45/08; A47J 45/085; B65D 25/2802;
(Continued)

(56) **References Cited**

U.S. PATENT DOCUMENTS

D55,340 S * 5/1920 Thompson D7/688
D118,714 S * 1/1940 Rude 30/321
2,294,096 A 8/1942 Rice
(Continued)

OTHER PUBLICATIONS

U.S. Appl. No. 29/532,183, filed Jul. 2, 2015 (9 pages).
(Continued)

Primary Examiner — Cynthia M Chin

(74) *Attorney, Agent, or Firm* — Haynes and Boone LLP

(57) **CLAIM**

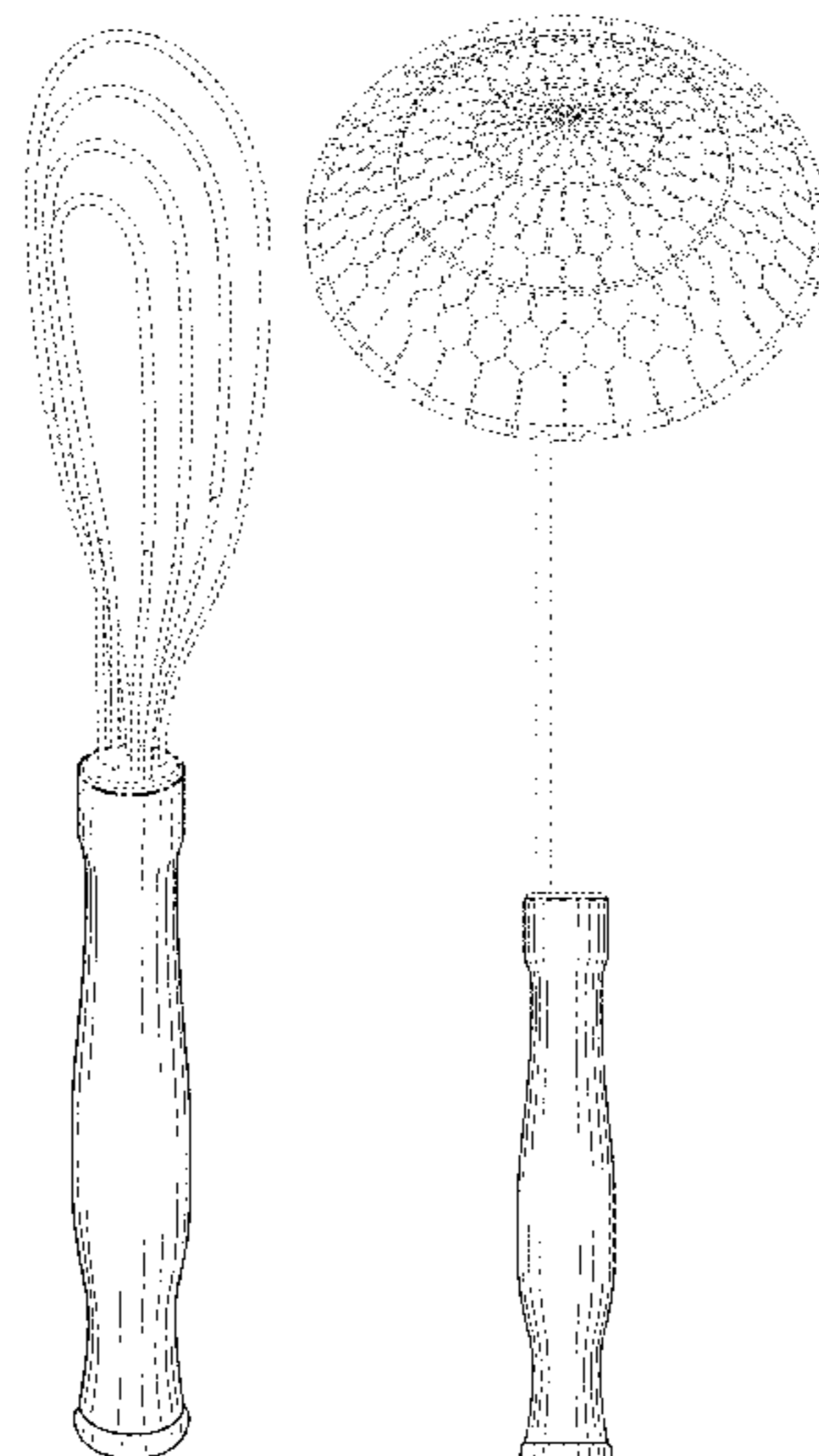
The ornamental design for a kitchen implement handle, as shown and described.

DESCRIPTION

FIG. 1 is a front, perspective view of a kitchen implement handle showing our new design; FIG. 2 is a front view thereof, rear view being a mirror image of the front view; FIG. 3 is a right side view thereof, the left side view being a mirror image of the right side view; FIG. 4 is a top view thereof; and FIG. 5 is a bottom view thereof. FIG. 6 is a front, perspective view of the kitchen implement handle of FIG. 1 illustrated with additional subject matter in broken lines per one example of use of the kitchen implement handle; FIG. 7 is a front view thereof; FIG. 8 is a rear view thereof; FIG. 9 is a right side view thereof, the left side view being a mirror image of the right side view; FIG. 10 is a top view thereof; and FIG. 11 is a bottom view thereof. FIG. 12 is a front, perspective view of the kitchen implement handle of FIG. 1 illustrated with additional subject matter in broken lines per one example of use of the kitchen implement handle; FIG. 13 is a front view thereof; FIG. 14 is a rear view thereof; FIG. 15 is a right side view thereof, the left side view being a mirror image of the right side view; FIG. 16 is a top view thereof; and, FIG. 17 is a bottom view thereof.

The features shown in broken lines are portions of the kitchen implement handle or environmental subject matter to the kitchen implement handle forming no part of the claimed design. The features shown in long dash-short dash bolded broken lines indicate the bounds of the claimed design and otherwise form no part of the claimed design.

1 Claim, 12 Drawing Sheets



- (58) **Field of Classification Search**
 CPC B65D 25/2882; B65D 25/2885; B65D 25/2888; B65D 25/2894; Y10S 220/912
 See application file for complete search history.

(56) **References Cited**

U.S. PATENT DOCUMENTS

D250,628 S	12/1978	Seibel	
D282,708 S	2/1986	Schaeffer	
D298,503 S	11/1988	McCullough	
D417,132 S *	11/1999	Schneider	D8/107
D432,354 S	10/2000	Wagner	
D444,029 S	6/2001	Wold et al.	
D448,973 S	10/2001	Hay et al.	
D450,981 S	11/2001	Kaposi	
D451,341 S *	12/2001	Wentland	D7/395
D451,342 S *	12/2001	Wentland	D7/395
D452,631 S	1/2002	Knorr	
D453,450 S *	2/2002	Drummond	D7/693
D459,149 S *	6/2002	Richied	D7/395
D461,680 S	8/2002	Kerr	
D477,498 S	7/2003	Rowe	
D480,612 S	10/2003	Schulein	
D484,740 S	1/2004	Hay	
D495,882 S	9/2004	Berti	
D504,797 S	5/2005	Lu	
D545,620 S *	7/2007	Hood	D7/395
D549,045 S *	8/2007	Silverstein	D7/395
D566,514 S *	4/2008	Settles	D8/107
D567,019 S	4/2008	Gonzalez	
D577,955 S *	10/2008	Kwan	D7/395
D581,728 S	12/2008	Logiudice et al.	
D590,206 S	4/2009	Munari	
D606,806 S	12/2009	Campbell et al.	
D618,522 S	6/2010	Jalet et al.	
D627,976 S *	11/2010	Magallanes Orozco	D4/138
D641,608 S *	7/2011	Good	D8/107
8,235,435 B2	8/2012	Campbell et al.	
D669,332 S *	10/2012	Hoertnagl	D8/107
D693,641 S *	11/2013	Slaker	D7/395
D695,089 S *	12/2013	Nelson	D8/83
D696,563 S	12/2013	Hauser	
D699,069 S *	2/2014	Emrick	D7/395
D706,574 S *	6/2014	Krus	D7/395
D727,130 S	4/2015	Robinson et al.	
2005/0166406 A1	8/2005	Cornfield	
2011/0049918 A1	3/2011	Campbell et al.	
2011/0191974 A1	8/2011	Holcomb et al.	

OTHER PUBLICATIONS

- U.S. Appl. No. 29/532,188, filed Jul. 2, 2015 (25 pages).
 U.S. Appl. No. 29/532,196, filed Jul. 2, 2015 (15 pages).
 U.S. Appl. No. 29/532,198, filed Jul. 2, 2015 (12 pages).
 "All-Clad Professional Stainless Whisk 12-in, Model#T135", printed from <https://www.google.com/shopping/product/1521750419360812>, publicly available at least as early as Jun. 8, 2015 (2 pages).
 "Bakelite Frying Pan Handle", printed from www.alibaba.com/product-detail/bakelite-frying-pan-handle_609365945.html, publicly available at least as early as Jun. 5, 2015 (3 pages).
 "Electric Handle Coffee Milk Egg Beater Mixer Shaker Whisk Frother Cake Tool Home Kitchen Tools", printed from www.aliexpress.com/item/Electric-Handle-Coffee-Milk-Egg-Beat...-Shaker-Whisk-Frother-Cake-Tool-Home-Kitchen-Tools/1405954213.html, publicly available at least as early as Jun. 5, 2015 (2 pages).
 "Food Network Nylon Scoop Strainer (Red)", printed from www.google.com/shopping/product/11328201636041232860?q...2nw6x2KyixIsQ34wYA&ved=0CIUBEKYrOCg&ei=4-IxVY3IDMLzsAWpuoPIBw, publicly available at least as early as Jan. 4, 2015 (2 pages).
 "Goma Whisk 11.8 in", printed from <http://localroot.com/s.nl/it.A/id.56764/.f>, publicly available at least as early as Jun. 8, 2015 (1 page).
 "Kitchen Magic Whisk", printed from www.houzz.com/photos/826612/Kitchen-Magic-Whisk-c..., publicly available at least as early as Jun. 8, 2015 (1 page).
 "Le Creuset Revolution Mesh Strainer", printed from www.wayfair.com/Le-Creuset-Revolution%C2%AE-Mes, publicly available at least as early as May 23, 2015 (3 pages).
 "Le Creuset Revolution Silicone Spatula Spoon", printed from www.chefscatalog.com/product/26509-le-creuset-silicone-spoon-spatula.aspx, publicly available at least as early as Feb. 24, 2011, per <http://web.archive.org> (3 pages).
 "Le Creuset Revolution Wood Scraping Spoon", printed from www.bedbathandbeyond.com/store/product/le-creuset-rev, publicly available at least as early as Jun. 8, 2015 (2 pages).
 "Various Le Creuset Utensils", printed from www.surlatable.com/browse/index.jsp?N=12779&No=192&Nrpp=48, publicly available at least as early as Jun. 9, 2015 (4 pages).
 "Natural Bamboo Whisk (Set of 2)", printed from <http://ip-pinproject.com/product/natural-bamboo-whisks-set-of-2/>, publicly available at least as early as Nov. 5, 2014, per <http://web.archive.org> (2 pages).
 "Norpro Silicone Whisk", printed from www.thekitchenoutlet.com/product/norpro-silicone-whisk/, publicly available at least as early as Jun. 8, 2015 (2 pages).
 "OXO Steel 9-Inch Whisk", printed from www.google.com/shopping/product/5723286997218399, publicly available at least as early as Jun. 8, 2015 (2 pages).
 "Mix 'N Chop", printed from www.pamperedchef.com/tips-landing-page?vid=comp_0000F6B4&selectedFilter=All, publicly available at least as early as Apr. 24, 2015 (1 page).
 "Prepworks from Progressive International CW-11 Chop Turner", printed from www.amazon.com/Prepworks-Progressive-International-CW-11-.../B00C3H9LYE/ref=sr_1_16?s=kitchen&ie=UTF8&qid=1429554224&sr=1-16, publicly available at least as early as Jan. 10, 2014 (6 pages).
 "Simplemente Delicioso Bamboo Turner w/ Magenta Silicone Handle", printed from www.everythingkitchens.com/simplemente-delicioso-sonora-bamboo-turner-98180-01.html, publicly available at least as early as Apr. 25, 2014, per <http://web.archive.org> (2 pages).
 "Stainless Steel Whisk With Wood Handle", printed from www.bedbathandbeyond.com/1/1/219061-stainless-steel-whisk-wood-handle.html, publicly available at least as early as Jun. 5, 2015 (4 pages).
 "Williams-Sonoma Silicone Balloon Whisk", printed from www.williams-sonoma.com/products/williams-sonoma-silicone-balloon-whisk/?pkey=elsilicon%2Bballoon%Bwhisk|1|best|0|1|24|1&cm_src=PRODUCTSEARCH||NoFacet-_-NoFacet-_-NoMerchRules, publicly available at least as early as Jun. 4, 2014 (3 pages).

* cited by examiner

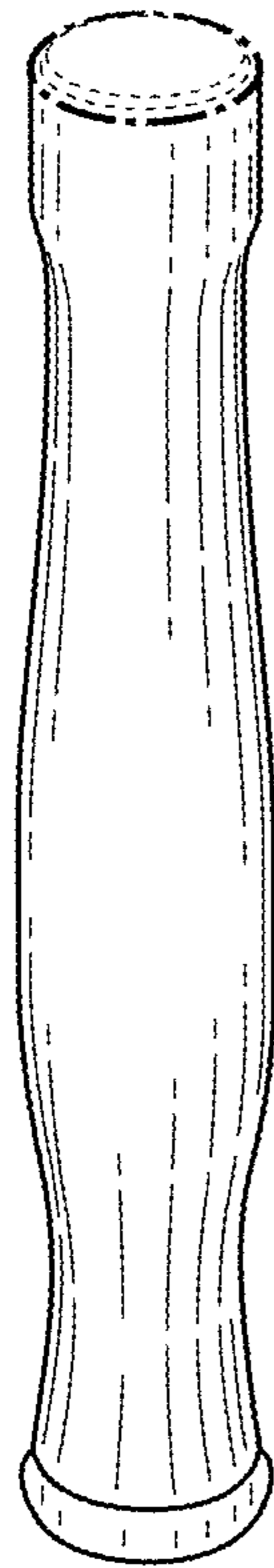


FIG. 1

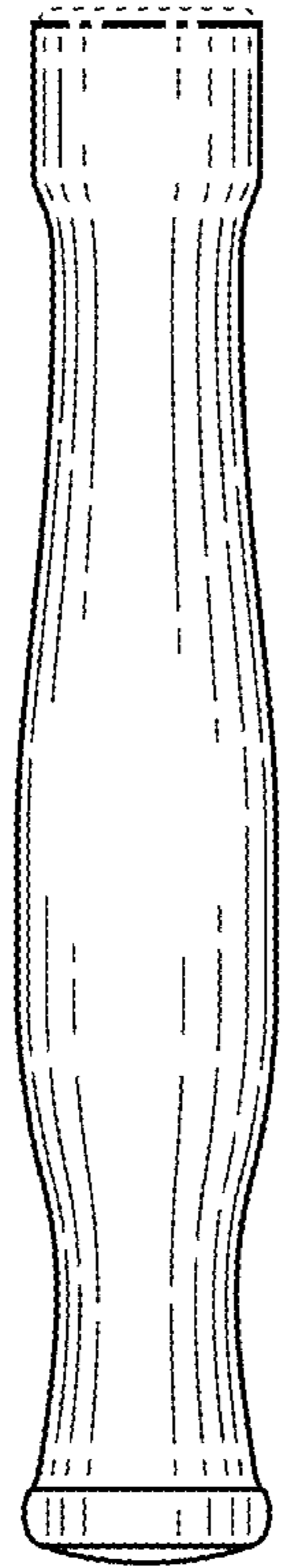


FIG. 2



FIG. 3

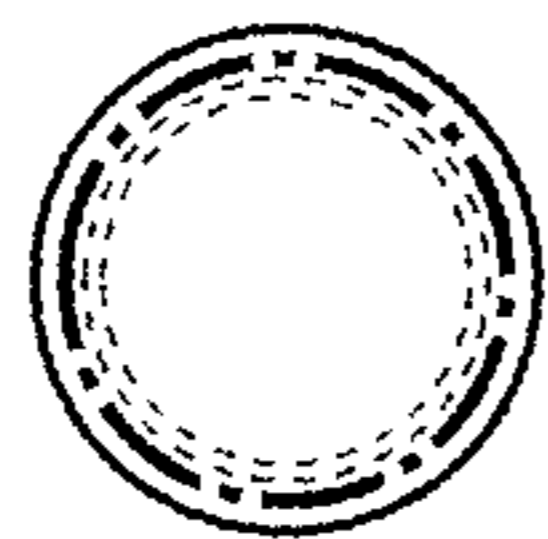


FIG. 4

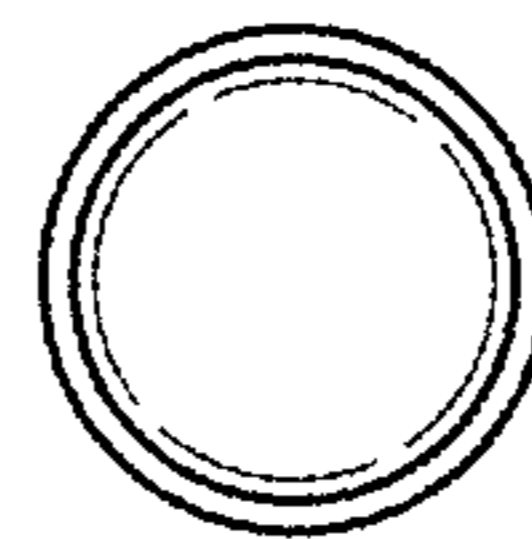


FIG. 5

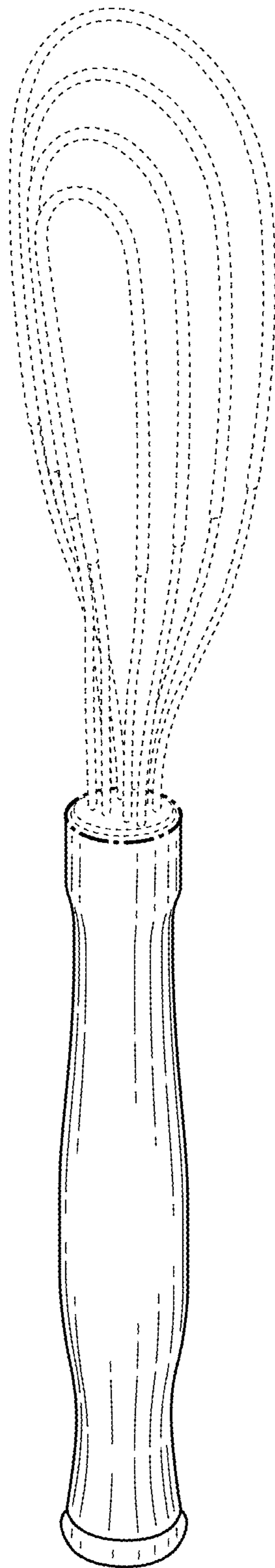


FIG. 6

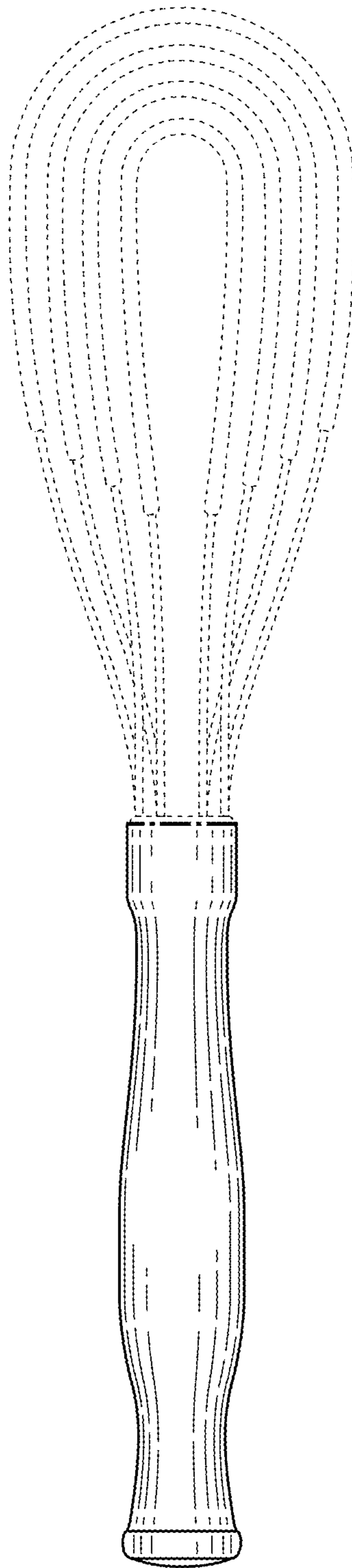


FIG. 7

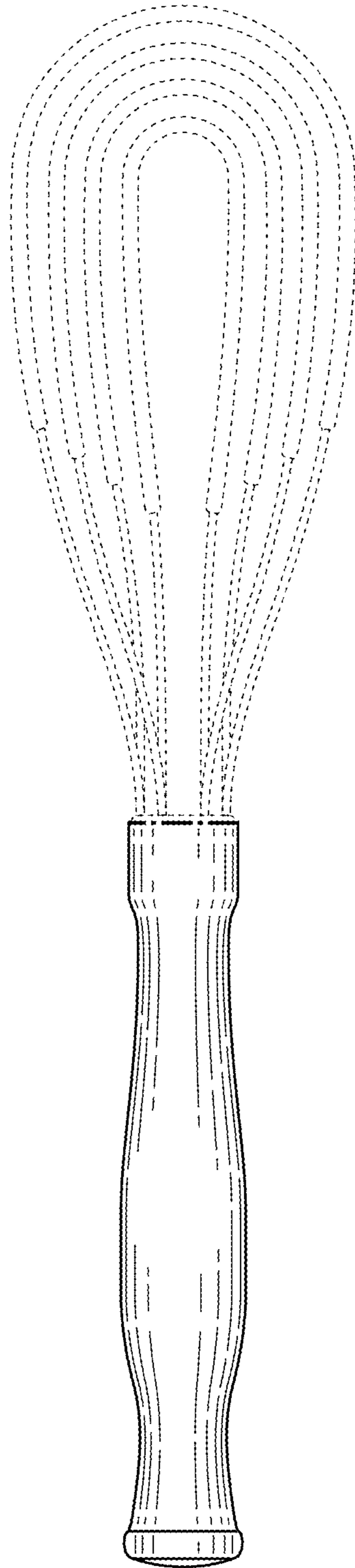


FIG. 8

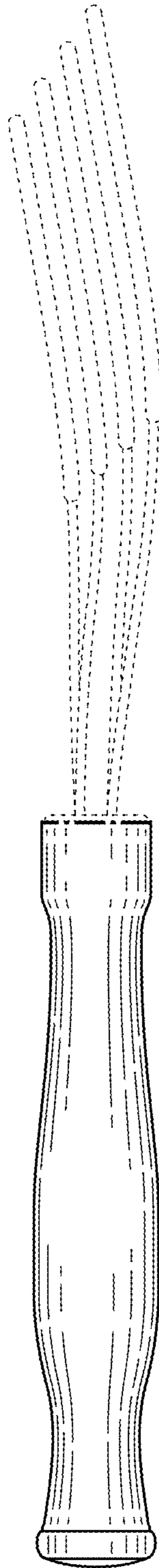


FIG. 9

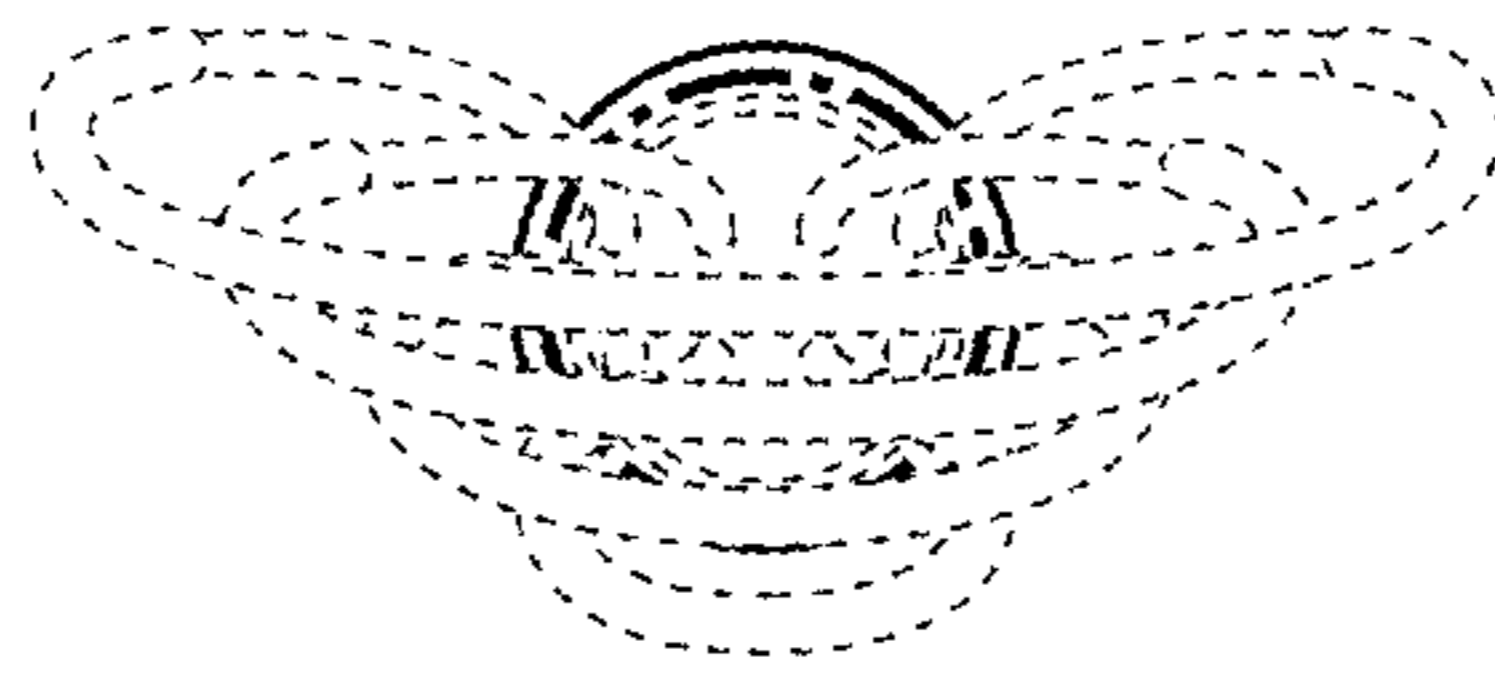


FIG. 10

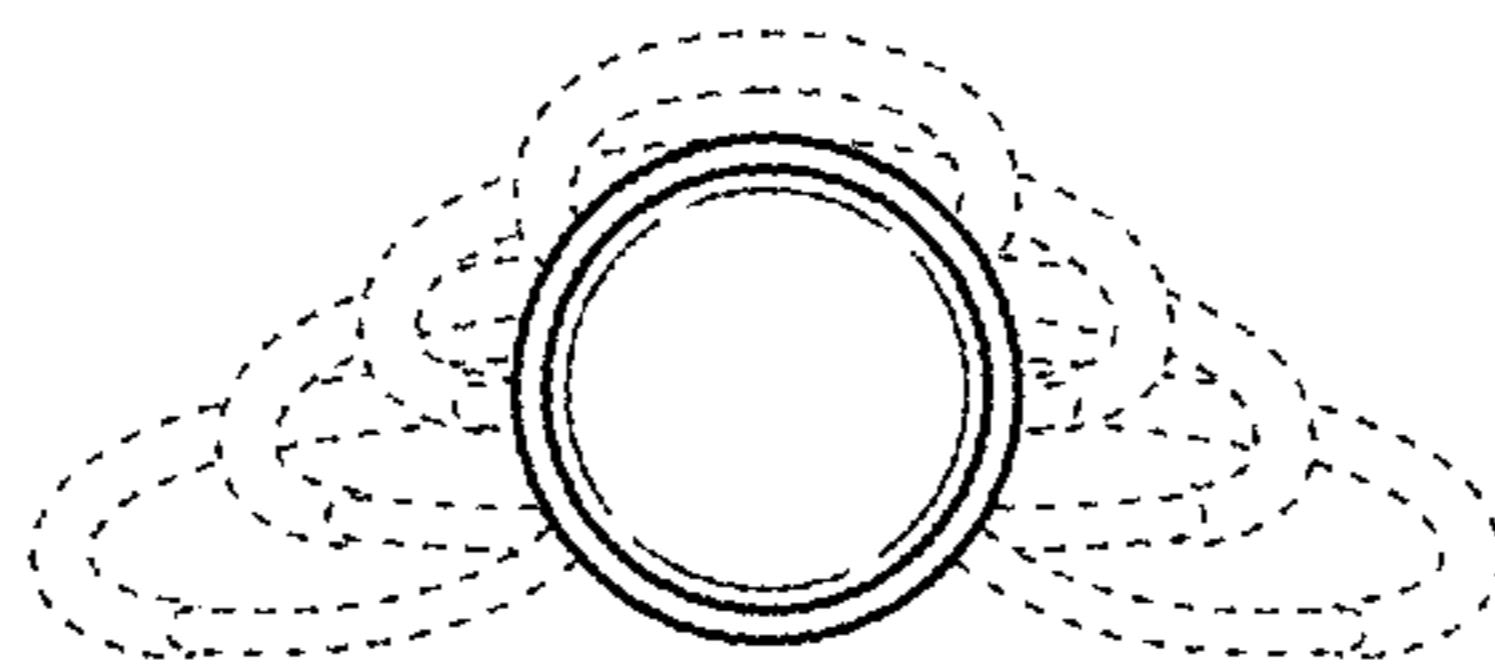


FIG. 11

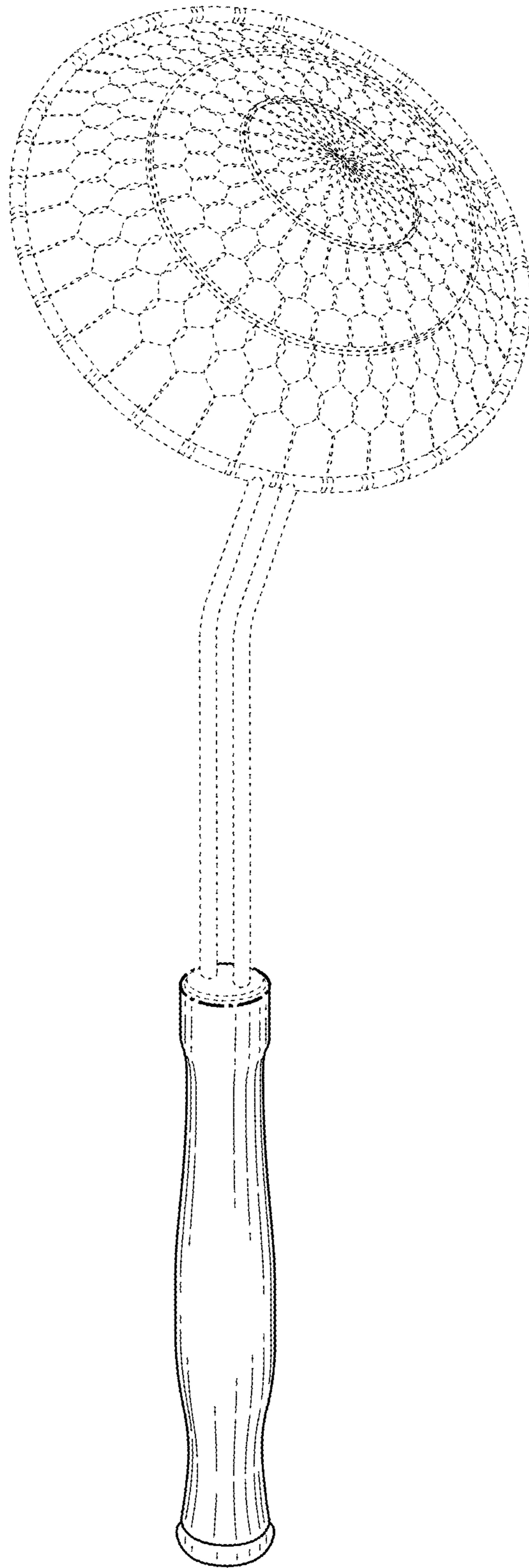


FIG. 12

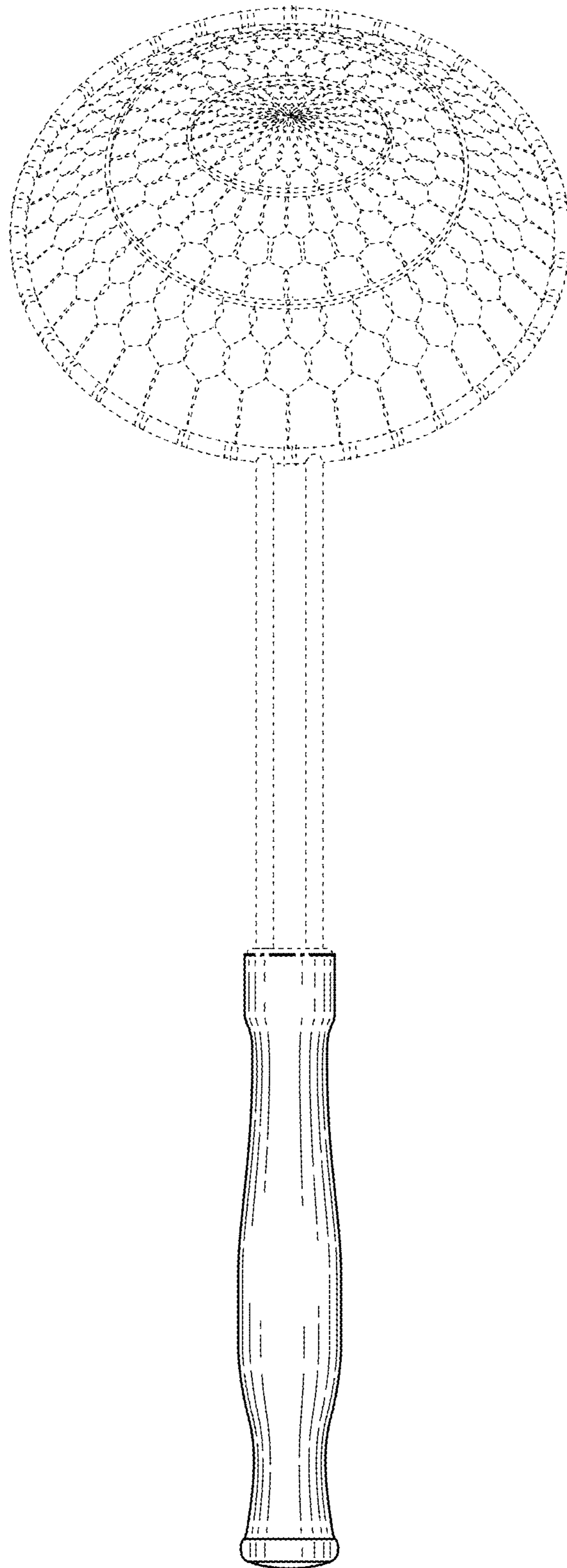


FIG. 13

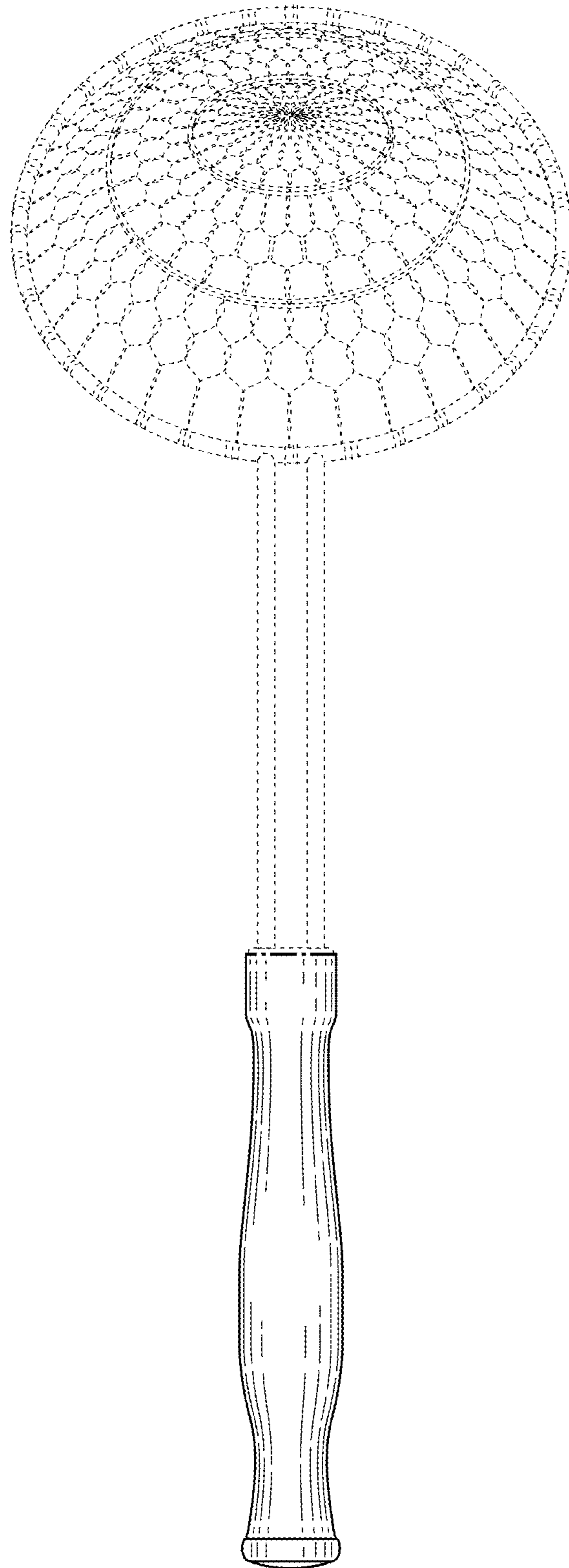


FIG. 14

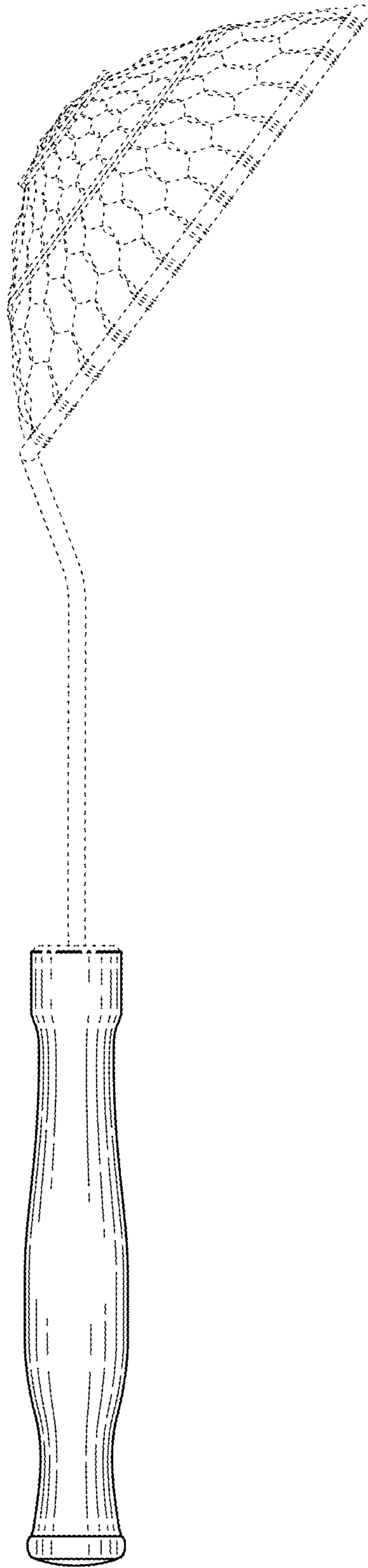


FIG. 15

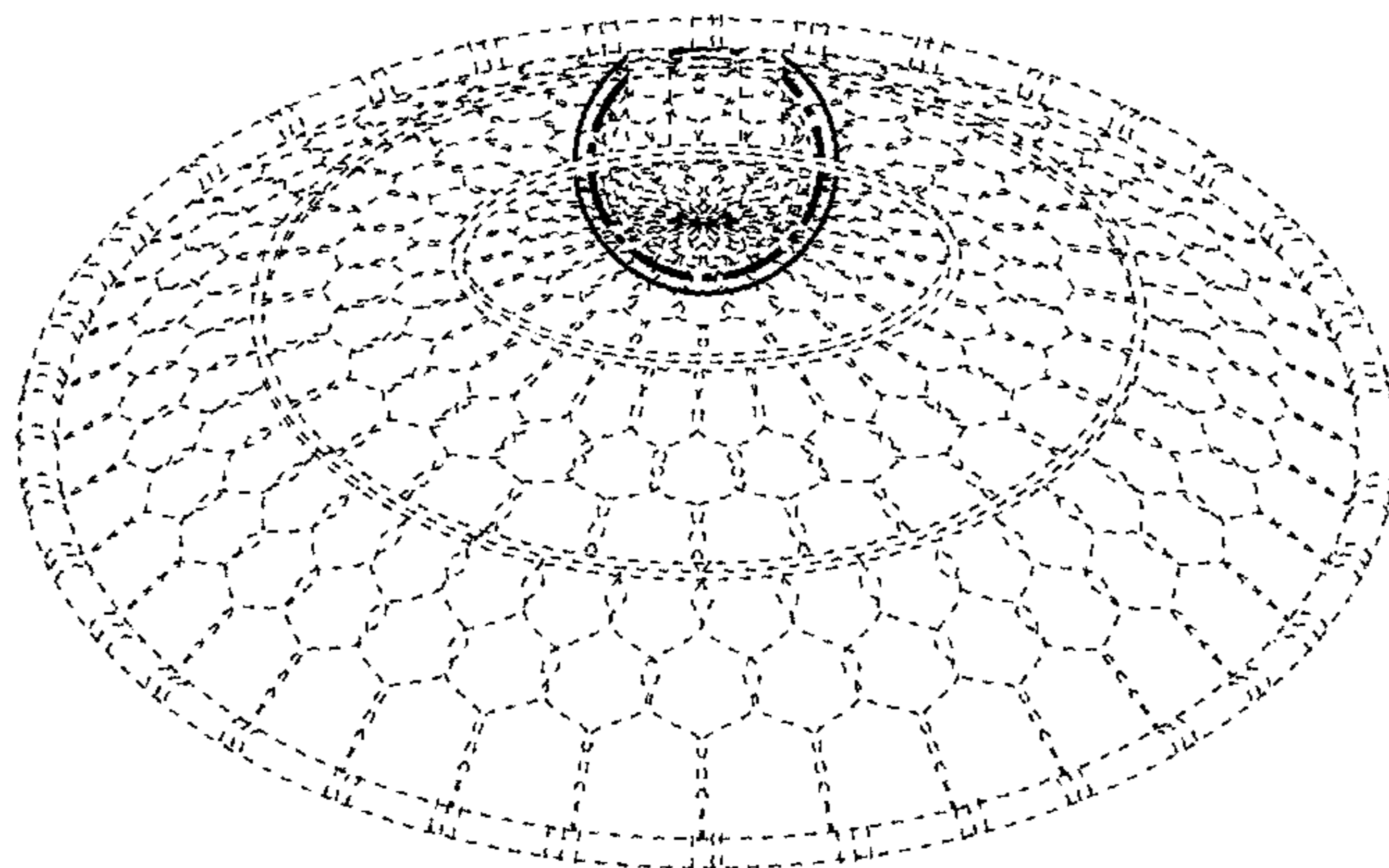


FIG. 16

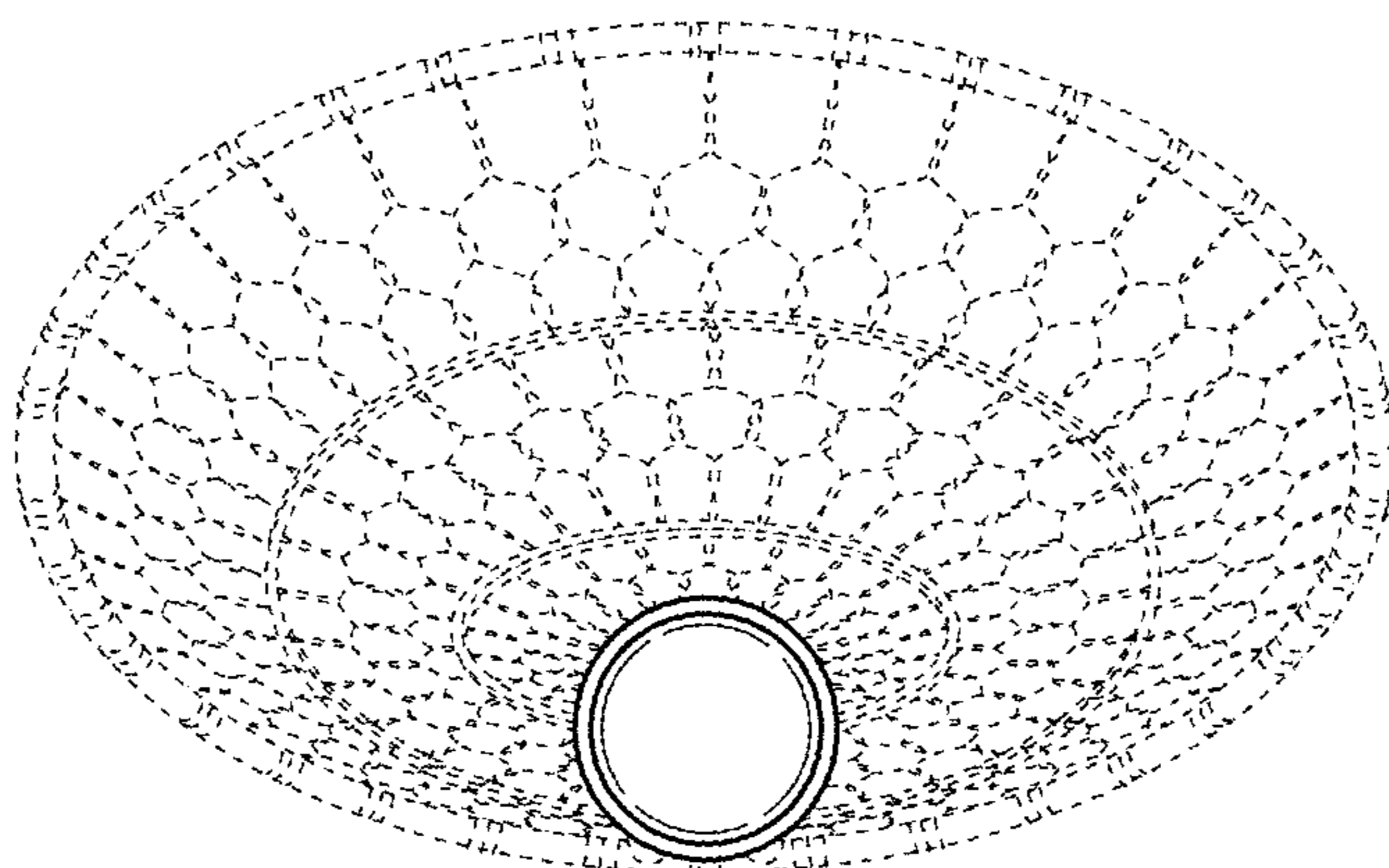


FIG. 17