



US00D778104S

(12) **United States Design Patent** (10) **Patent No.:** **US D778,104 S**  
**Conlee et al.** (45) **Date of Patent:** **\*\* Feb. 7, 2017**

(54) **KETTLE**

(74) *Attorney, Agent, or Firm* — Jeffrey Van Myers

(71) Applicant: **One Kettle Cooks All, LLC**, Mason, TX (US)

(57) **CLAIM**

The ornamental design for a kettle, as shown and described.

(72) Inventors: **Craig D Conlee**, Mason, TX (US);  
**Carol F Conlee**, Mason, TX (US);  
**Richard N Polk**, Mason, TX (US)

**DESCRIPTION**

(73) Assignee: **One Kettle Cooks All, LLC**, Mason, TX (US)

(\*\*) Term: **15 Years**

FIG. 1A is a front view of our kettle, comprising a flat bottom portion and a concave top portion shown in a closed position, the back view thereof being substantially identical; FIG. 1B is a left side view of our kettle, in the closed position, the right side view thereof being substantially identical;

(21) Appl. No.: **29/542,064**

FIG. 2A is a top view of the bottom portion of our kettle; FIG. 2B is a bottom view of the bottom portion of our kettle, being also the bottom view of the kettle in the closed position;

(22) Filed: **Oct. 9, 2015**

(51) **LOC (10) Cl.** ..... **07-02**

(52) **U.S. Cl.**  
USPC ..... **D7/360; D7/362**

(58) **Field of Classification Search**  
USPC ..... D7/323, 354–363, 367, 391, 393–396, D7/409  
CPC ..... A47G 19/12; A47J 27/00; A47J 27/002; A47J 27/004; A47J 27/08; A47J 27/21; A47J 27/58; A47J 36/025; A47J 36/06; A47J 36/12; A47J 37/00; A47J 37/10; A47J 37/101; A47J 37/103; A47J 37/108; A47J

(Continued)

(56) **References Cited**

**U.S. PATENT DOCUMENTS**

D256,760 S \* 9/1980 Rinaldi ..... D7/360  
D268,471 S \* 4/1983 Gremontprez ..... D7/352

(Continued)

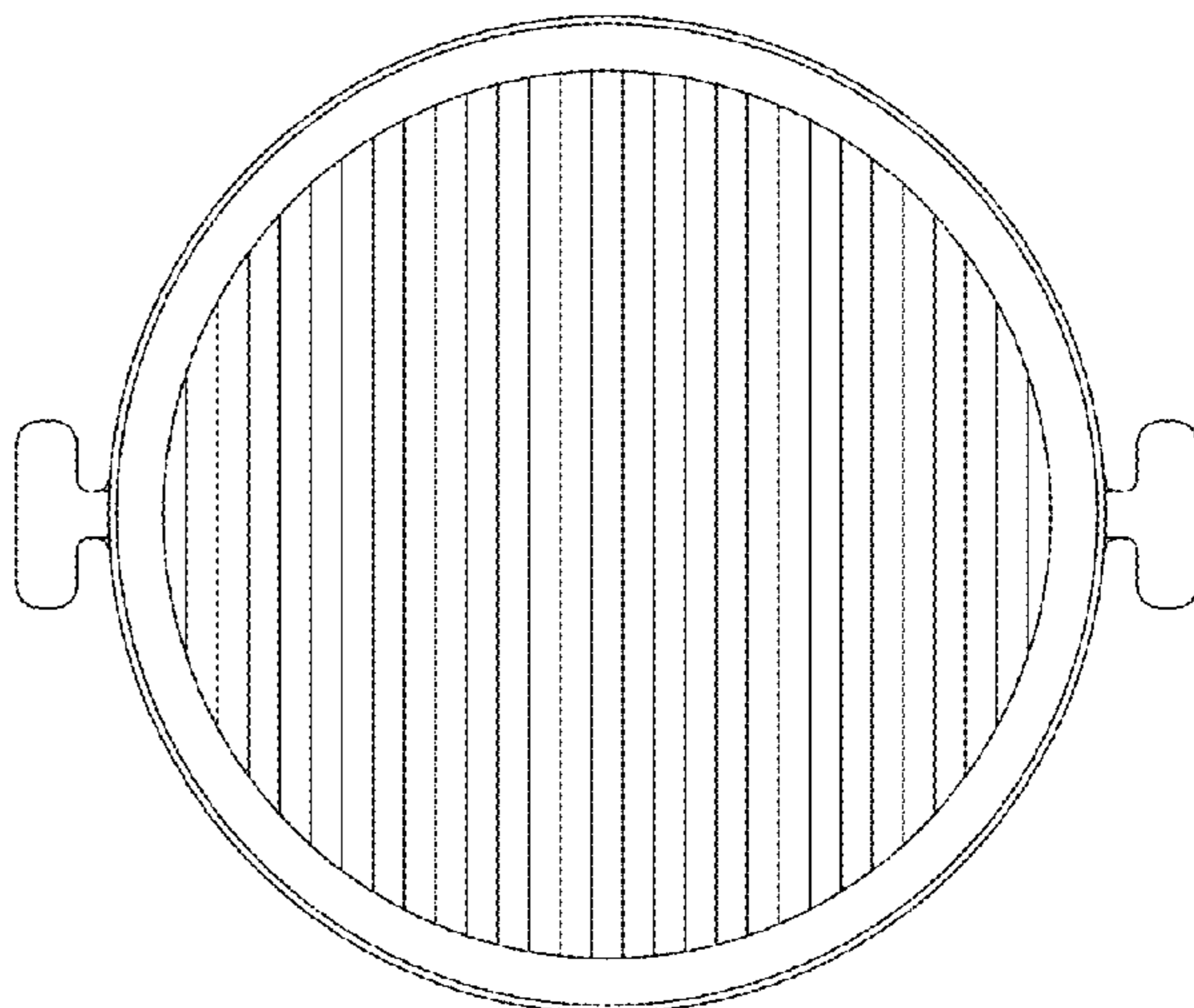
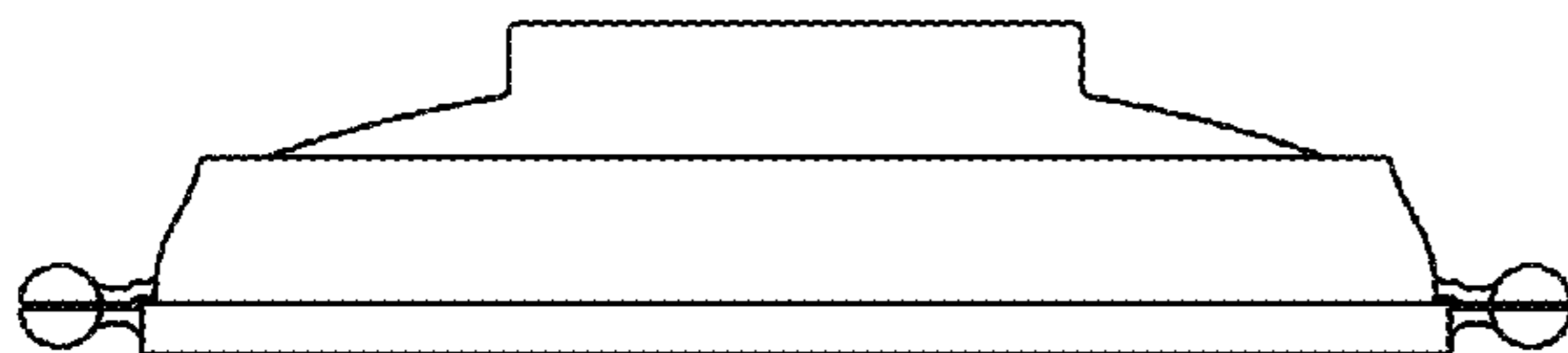
FIG. 3A is a top view of the top portion of our kettle, being also the top view of the kettle in the closed position; FIG. 3B is a bottom view of the top portion of our kettle; FIG. 3C is a cross-sectional view of our kettle taken along the line A-A in FIGS. 3A and 3B, with the top portion separated slightly vertically above the bottom portion; FIG. 3D is a partial, detailed view of the cross-sectional view of our kettle in FIG. 3C;

FIG. 4A is a partial, detailed top view of one of the side handles of our kettle, generally as shown in FIG. 3B; FIG. 4B is a cross-sectional view of one of the side handles of our kettle taken along the line B-B in FIG. 4A; FIG. 4C is a front view of one of the side handles of our kettle in the closed position; and, FIG. 4D is a cross-sectional view of one of the side handles of our kettle taken generally along the line B-B in FIG. 3A, but in the closed position.

Our kettle comprises a flat bottom portion and a concave top portion adapted to nest inside the bottom portion in a closed configuration.

**1 Claim, 4 Drawing Sheets**

*Primary Examiner* — Ricky Pham



(58) **Field of Classification Search**

CPC ..... 37/12;A47J 37/1204; A47J 37/067;  
A47J 37/0629; A47J 45/061; A47J  
45/071; A47J 45/08; H05B 6/12

See application file for complete search history.

(56) **References Cited**

U.S. PATENT DOCUMENTS

D273,168	S	*	3/1984	Bowen	.....	D7/354
D359,652	S	*	6/1995	Mendelson	.....	D7/362
5,970,858	A	*	10/1999	Boehm	.....	A47J 37/0629
						99/400
6,082,249	A	*	7/2000	Su	.....	A47J 27/004
						99/340
D431,411	S	*	10/2000	Chang	.....	D7/362
D440,112	S	*	4/2001	Su	.....	D7/362
6,782,801	B1	*	8/2004	Correa	.....	A47J 37/067
						99/340
D651,851	S	*	1/2012	Moon	.....	D7/359
D695,059	S	*	12/2013	Mehler	.....	D7/354
D707,078	S	*	6/2014	Rivera	.....	D7/354
2009/0095168	A1	*	4/2009	Shu	.....	A47J 37/108
						99/425

\* cited by examiner

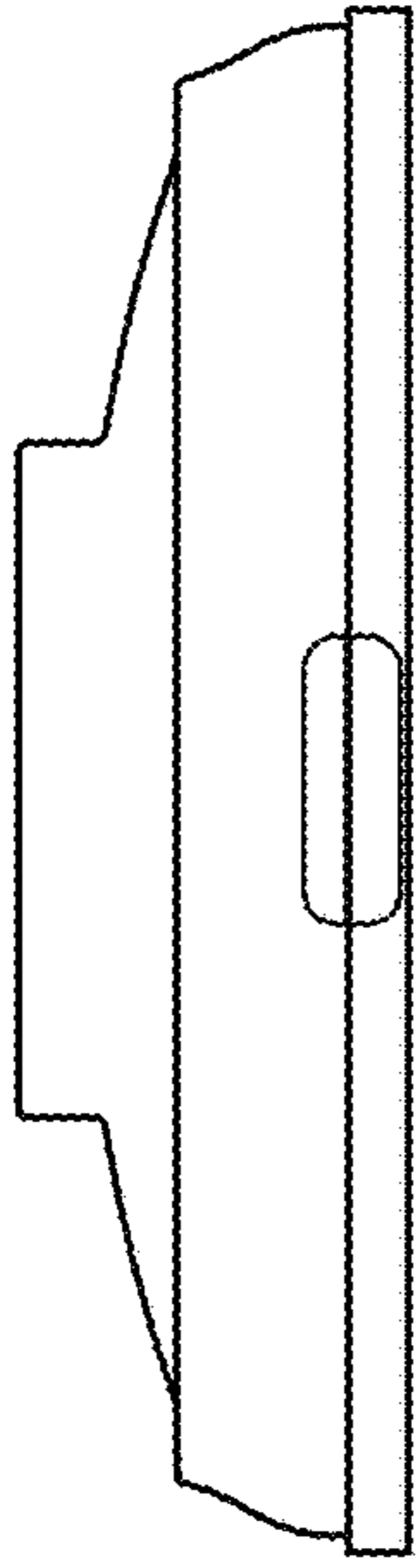


FIG. 1B

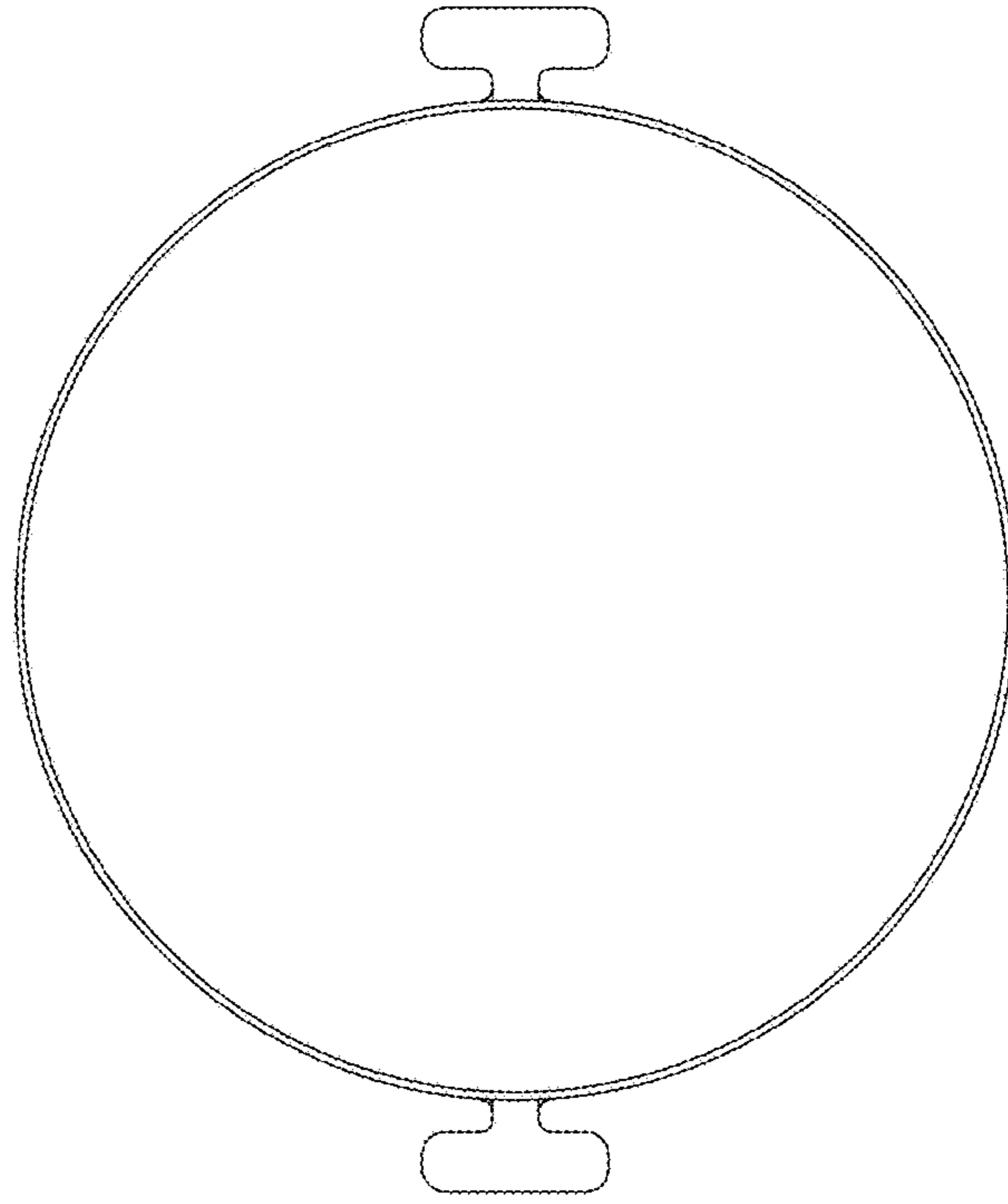


FIG. 2B

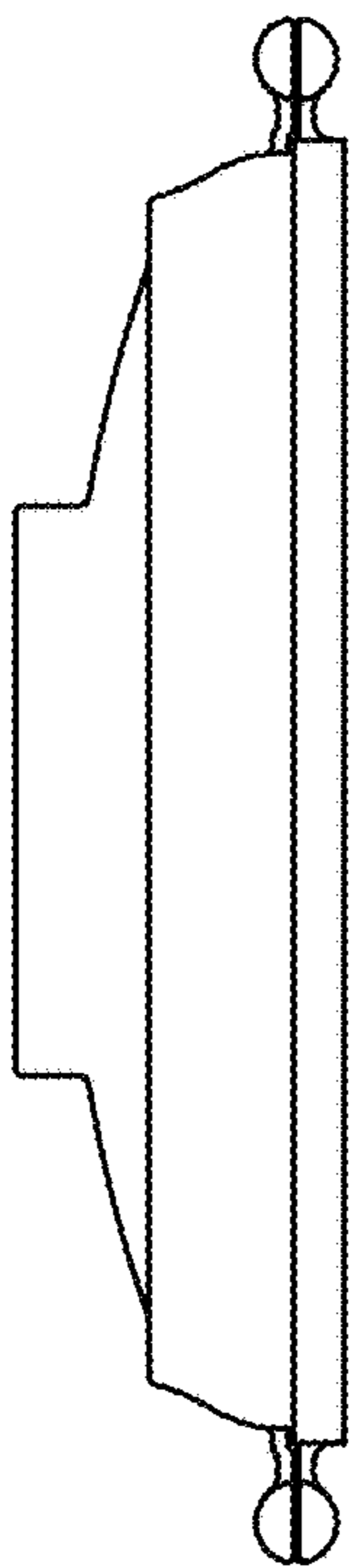


FIG. 1A

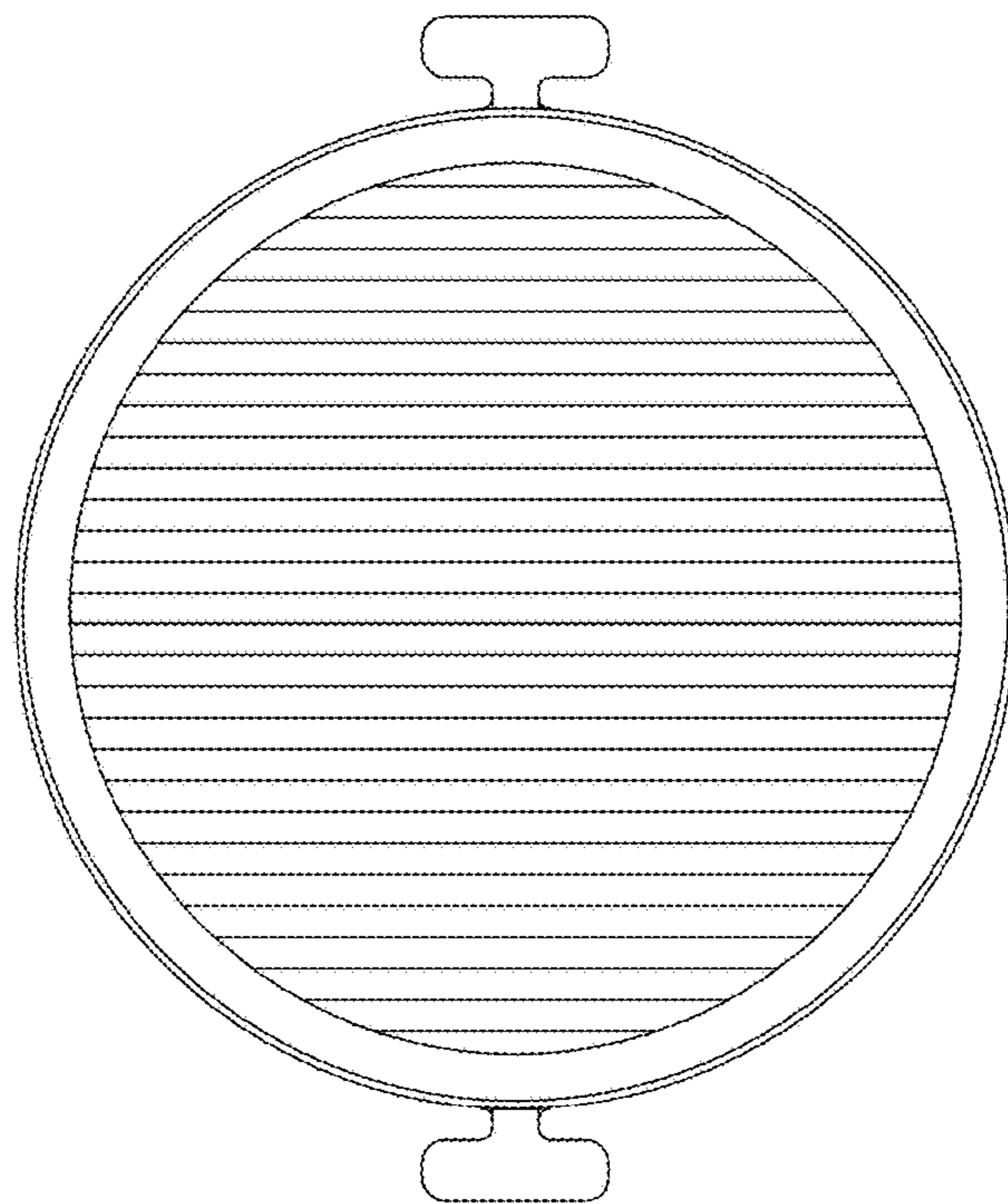


FIG. 2A

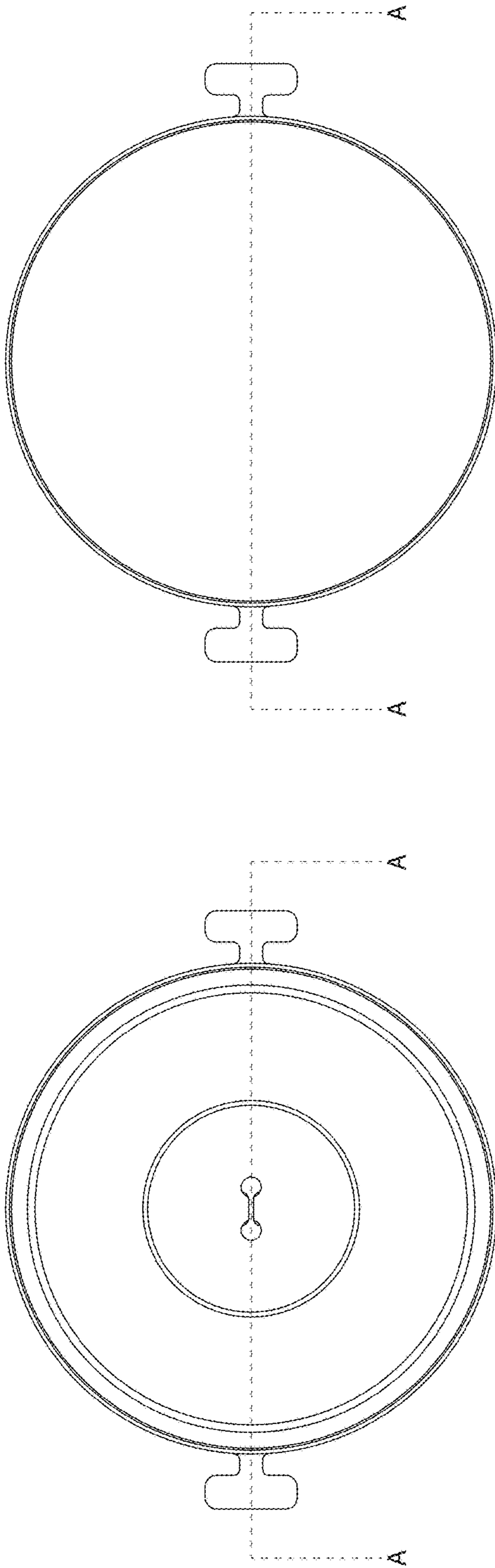


FIG. 3B

FIG. 3A

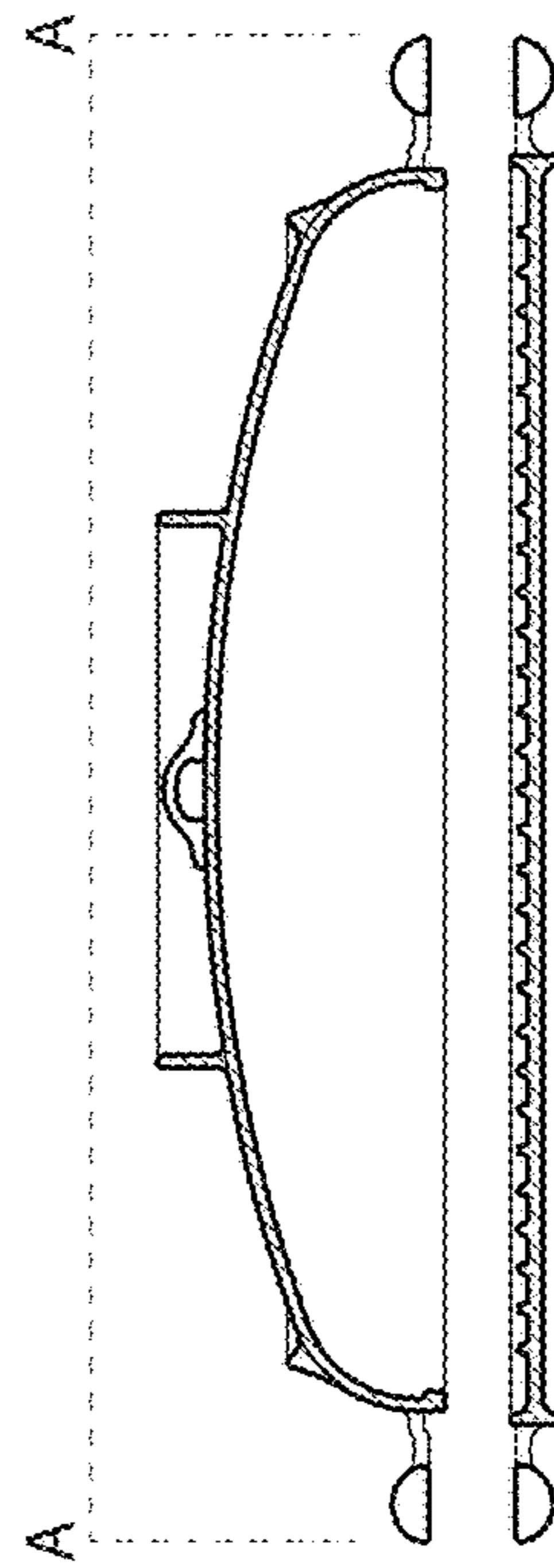


FIG. 3C



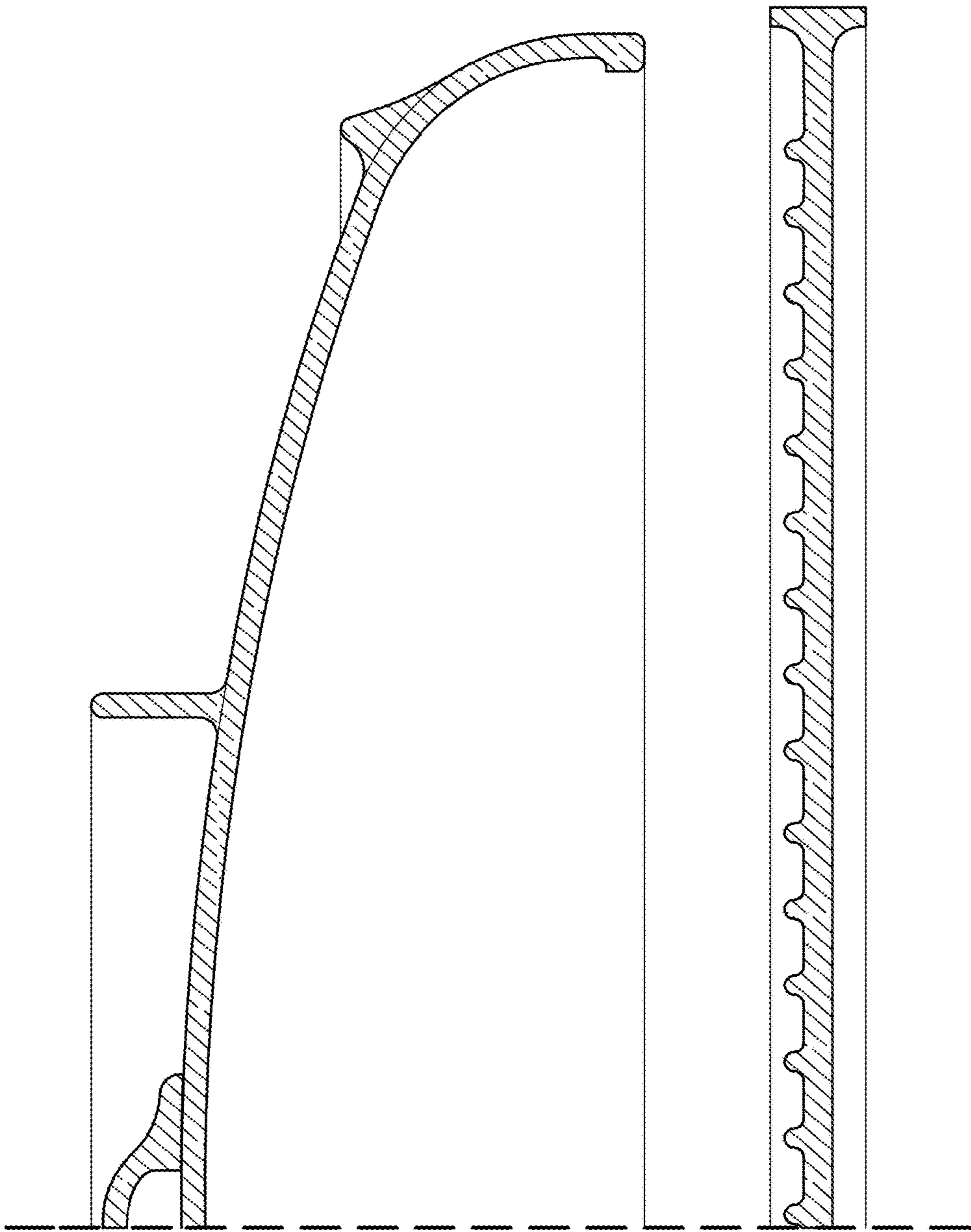


FIG. 3D

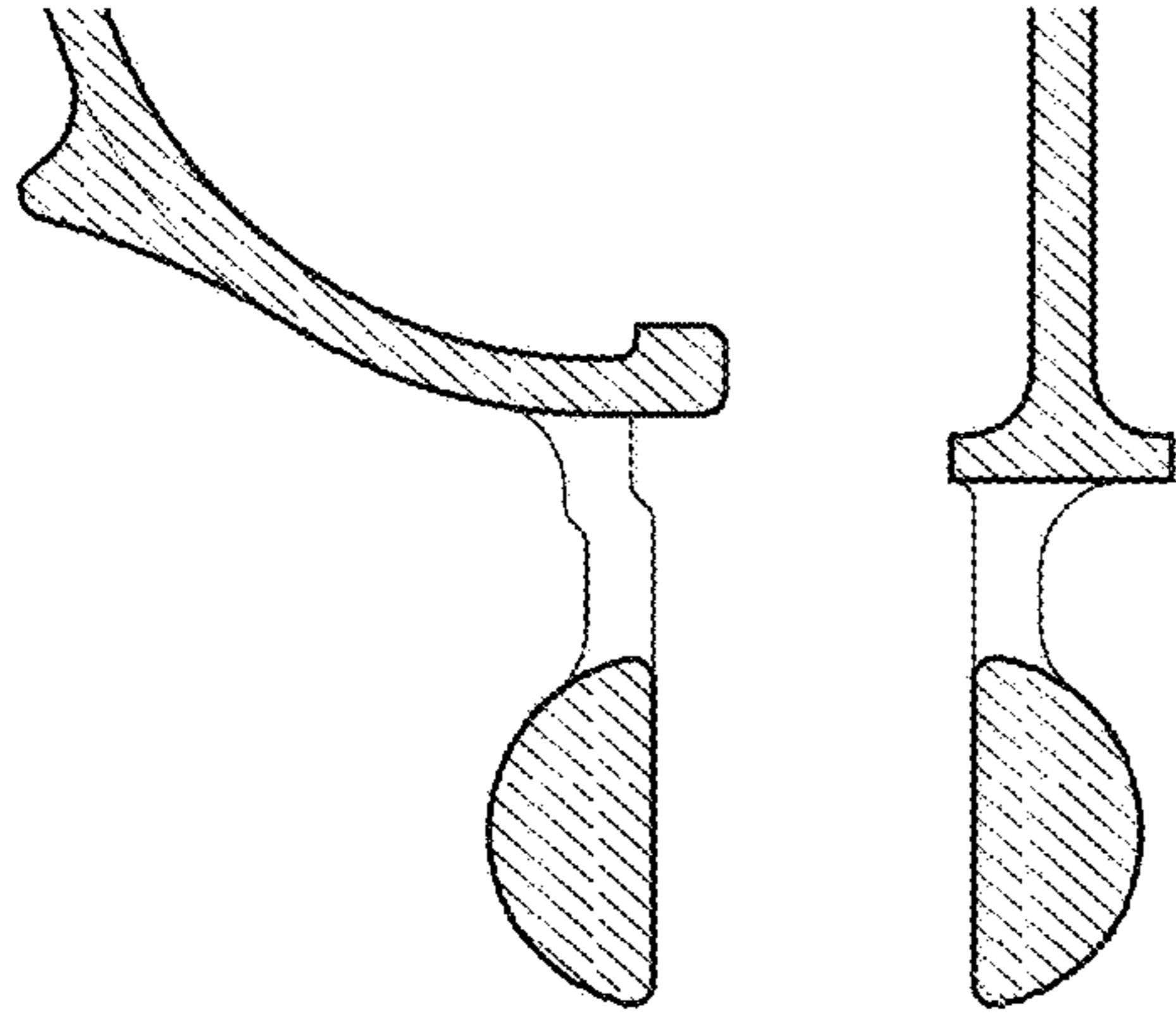


FIG. 4B

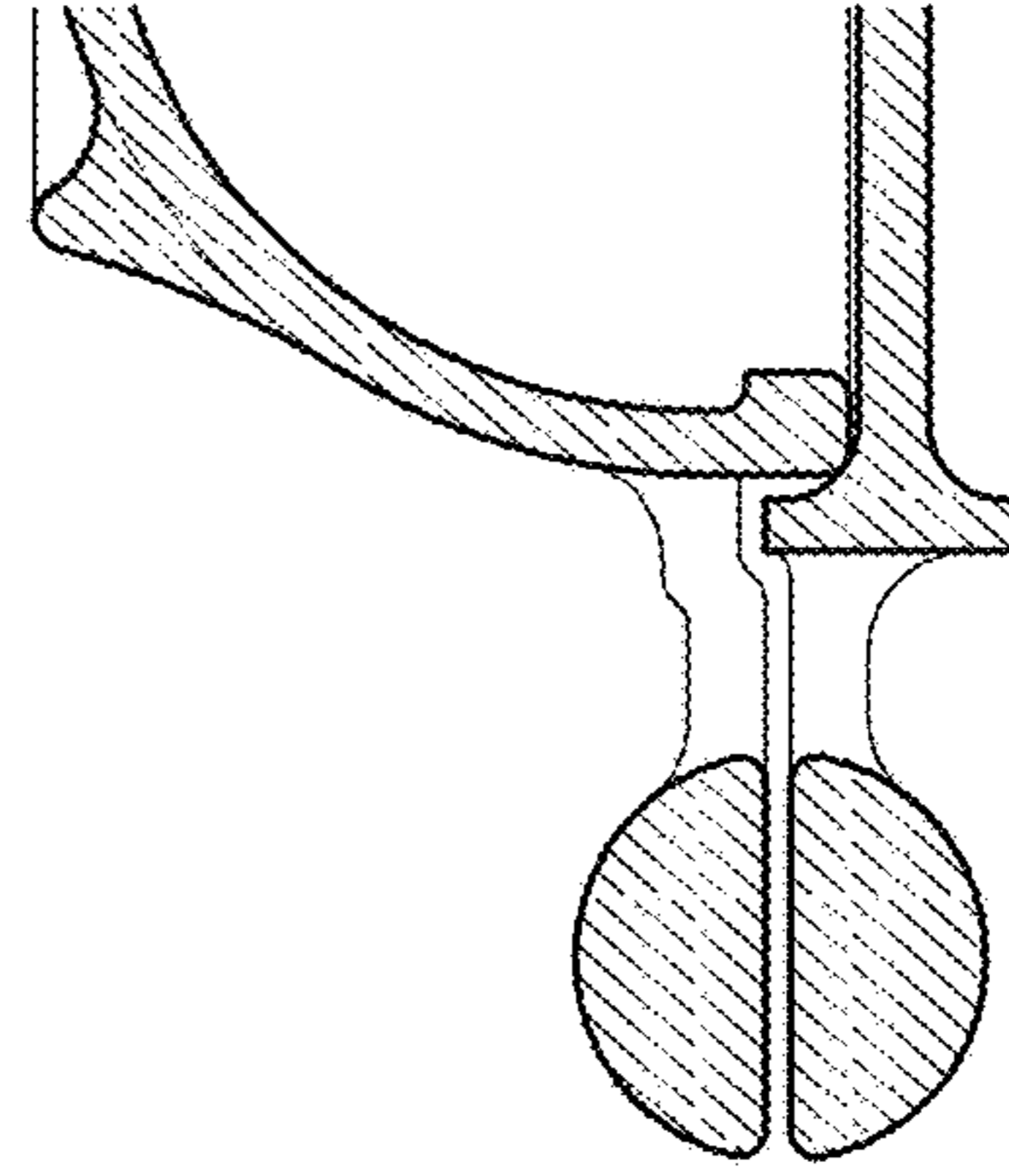


FIG. 4D

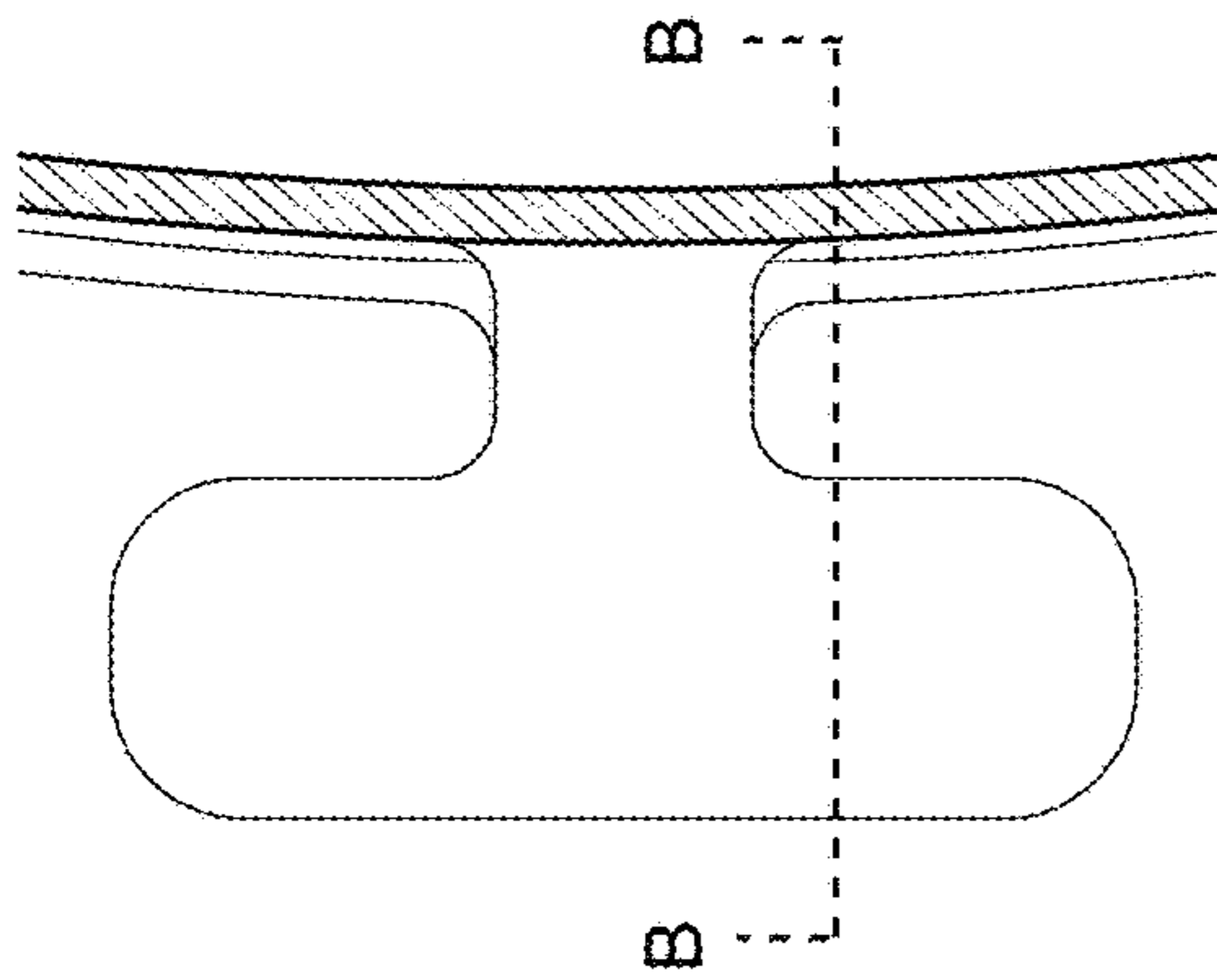


FIG. 4A

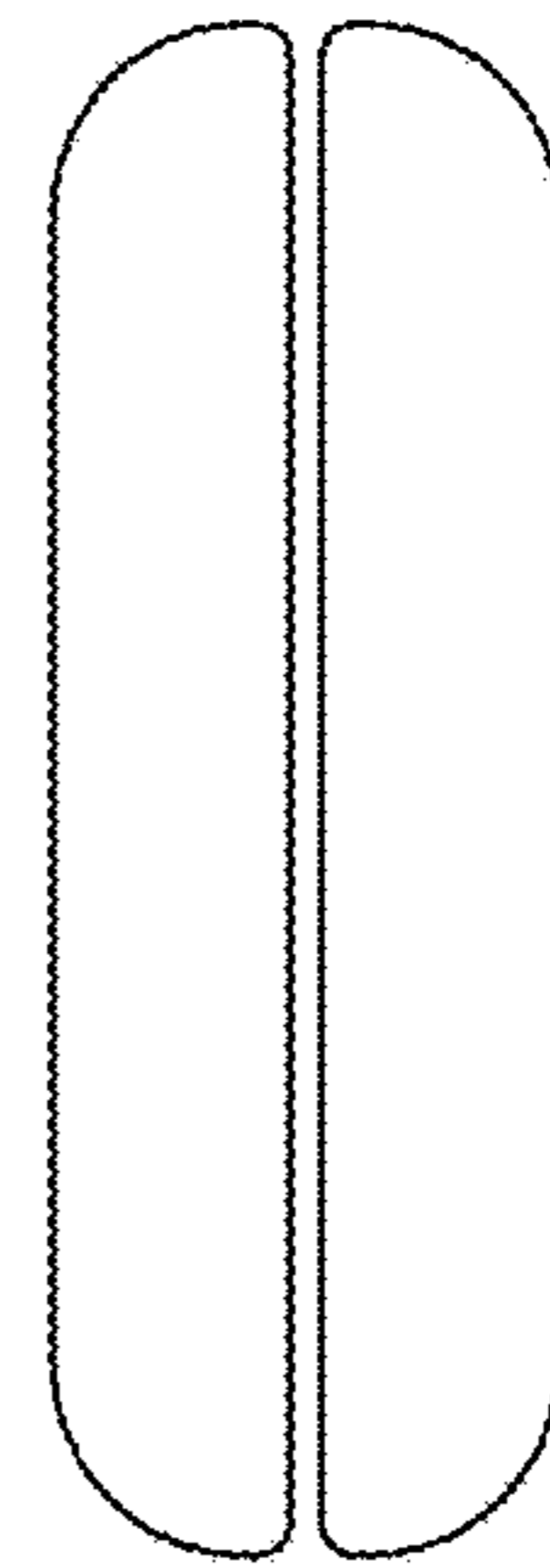


FIG. 4C