



US00D778103S

(12) **United States Design Patent** (10) **Patent No.:** **US D778,103 S**
Mirchandani et al. (45) **Date of Patent:** **** Feb. 7, 2017**

- (54) **PAN**
- (71) Applicant: **Tristar Products, Inc.**, Fairfield, NJ (US)
- (72) Inventors: **Keith Mirchandani**, Fairfield, NJ (US); **Mo-Tsan Tsai**, Shenzhen (CN)
- (73) Assignees: **TRISTAR PRODUCTS, INC.**, Fairfield, NJ (US); **KE M.O. HOUSE CO., LTD.**, Shenzhen (CN)
- (**) Term: **15 Years**
- (21) Appl. No.: **29/552,601**
- (22) Filed: **Jan. 24, 2016**

Related U.S. Application Data

- (63) Continuation-in-part of application No. 29/547,842, filed on Dec. 8, 2015.

Foreign Application Priority Data

- Dec. 1, 2015 (CN) 2015 3 0493868
- (51) **LOC (10) Cl.** **07-02**
- (52) **U.S. Cl.**
USPC **D7/354**; D7/360; D7/361
- (58) **Field of Classification Search**
USPC D7/323, 354-363, 391, 393-396, 402, D7/409
CPC A47G 19/12; A47J 27/00; A47J 27/002; A47J 27/022; A47J 27/02; A47J 27/08; A47J 27/21; A47J 27/58; A47J 36/025; A47J 36/02; A47J 36/06; A47J 36/12; A47J 37/00; A47J 37/10; A47J 37/101; A47J 37/103; A47J 37/12; A47J 37/1204; A47J 45/061; A47J 45/071; A47J 45/08; H05B 6/12

See application file for complete search history.

- (56) **References Cited**
U.S. PATENT DOCUMENTS
2,085,220 A * 6/1937 Howlett A47J 27/022 126/390.1
D263,670 S 4/1982 Schawalder
(Continued)

FOREIGN PATENT DOCUMENTS

- CN 300743744 2/2008
- CN 301355624 9/2010
- (Continued)

Primary Examiner — Ricky Pham
(74) *Attorney, Agent, or Firm* — Adler Pollock & Sheehan P.C.; Daniel J. Holmander, Esq.; George N. Chaclas, Esq.

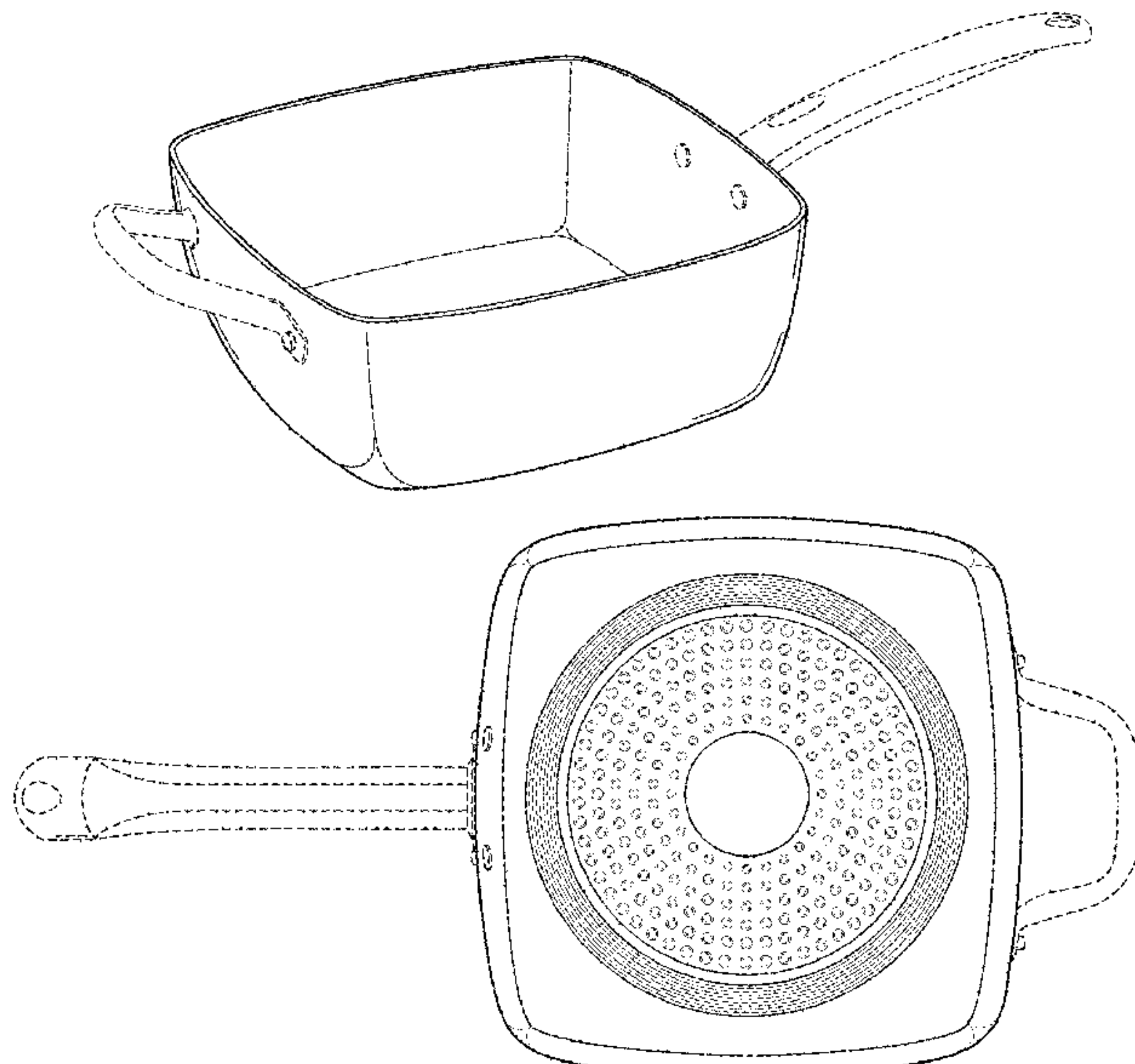
(57) **CLAIM**

The ornamental design for a pan, as shown and described.

DESCRIPTION

FIG. 1 is a perspective view of one embodiment of the pan; FIG. 2 is a front view thereof; FIG. 3 is a rear view thereof; FIG. 4 is a right side view thereof; FIG. 5 is a left side view thereof; FIG. 6 is a top view thereof; FIG. 7 is a bottom view thereof; FIG. 8 is a right side view of the pan of FIG. 1 positioned over a gas stove burner, which is shown in broken lines; and, FIG. 9 is perspective of a second embodiment of the pan of FIG. 1 indicating surface shading for metal. The elements depicted in broken lines in the various figures are included for environmental purposes only, and form no part of the claimed design.

1 Claim, 9 Drawing Sheets



(56)

References Cited

U.S. PATENT DOCUMENTS

4,926,843 A * 5/1990 Vocke A47J 27/022
126/390.1
D338,370 S 8/1993 Takeda
5,323,693 A 6/1994 Collard et al.
5,396,834 A * 3/1995 Gambini A47J 27/022
126/390.1
5,497,696 A * 3/1996 Coudurier A47J 36/02
126/390.1
D373,287 S * 9/1996 Antonio D7/360
D374,149 S * 10/1996 Candianides D7/359
D377,438 S * 1/1997 Brunianyn D7/361
D392,152 S * 3/1998 Rae D7/354
D414,981 S 10/1999 Roskind et al.
D458,797 S * 6/2002 Kellermann D7/360
D467,462 S * 12/2002 Teisen-Simony D7/360
D482,233 S * 11/2003 Rae D7/393
D549,041 S 8/2007 Kellermann et al.
D559,032 S * 1/2008 Kellermann D7/354
7,415,922 B2 8/2008 Cheng
D579,714 S * 11/2008 Cheng D7/360
D587,519 S * 3/2009 Cheng D7/360
D589,741 S * 4/2009 Gerlach D7/361
D614,445 S 4/2010 Ferron et al.
D618,505 S * 6/2010 Rae D7/359
D627,193 S * 11/2010 Marin D7/354
D631,281 S 1/2011 Bodum
D639,602 S 6/2011 Bodum
D662,775 S * 7/2012 Moulin D7/354
D663,582 S * 7/2012 Moulin D7/354
D664,000 S * 7/2012 Moulin D7/354

D669,730 S * 10/2012 Mandil D7/354
D672,604 S 12/2012 Upston et al.
D685,222 S 7/2013 Dang
D693,627 S 11/2013 Moon et al.
D696,059 S 12/2013 Bourbeau
D696,060 S 12/2013 Schleinzer
D697,751 S * 1/2014 Schleinzer D7/354
D712,193 S * 9/2014 Nagrani D7/354
D712,194 S 9/2014 Thonis
D732,335 S 6/2015 Thonis
D751,334 S 3/2016 Pan
D752,912 S 4/2016 Venot et al.
2005/0211106 A1 9/2005 Dierkes
2007/0193575 A1 * 8/2007 Jan A47J 27/02
126/390.1
2008/0035139 A1 * 2/2008 Marin A47J 27/022
126/390.1
2010/0083949 A1 * 4/2010 Lisheng A47J 36/02
126/390.1

FOREIGN PATENT DOCUMENTS

CN 302846862 6/2014
CN 303503839 12/2015
EM 001171466-0002 10/2009
EM 001320717-0001 4/2012
EM 002445940-0025 4/2014
EP 001112353-0001 5/2009
EP 001610098-0001 10/2009
HK 1002396.2 6/2010
JP 1534683 S 10/2015

* cited by examiner

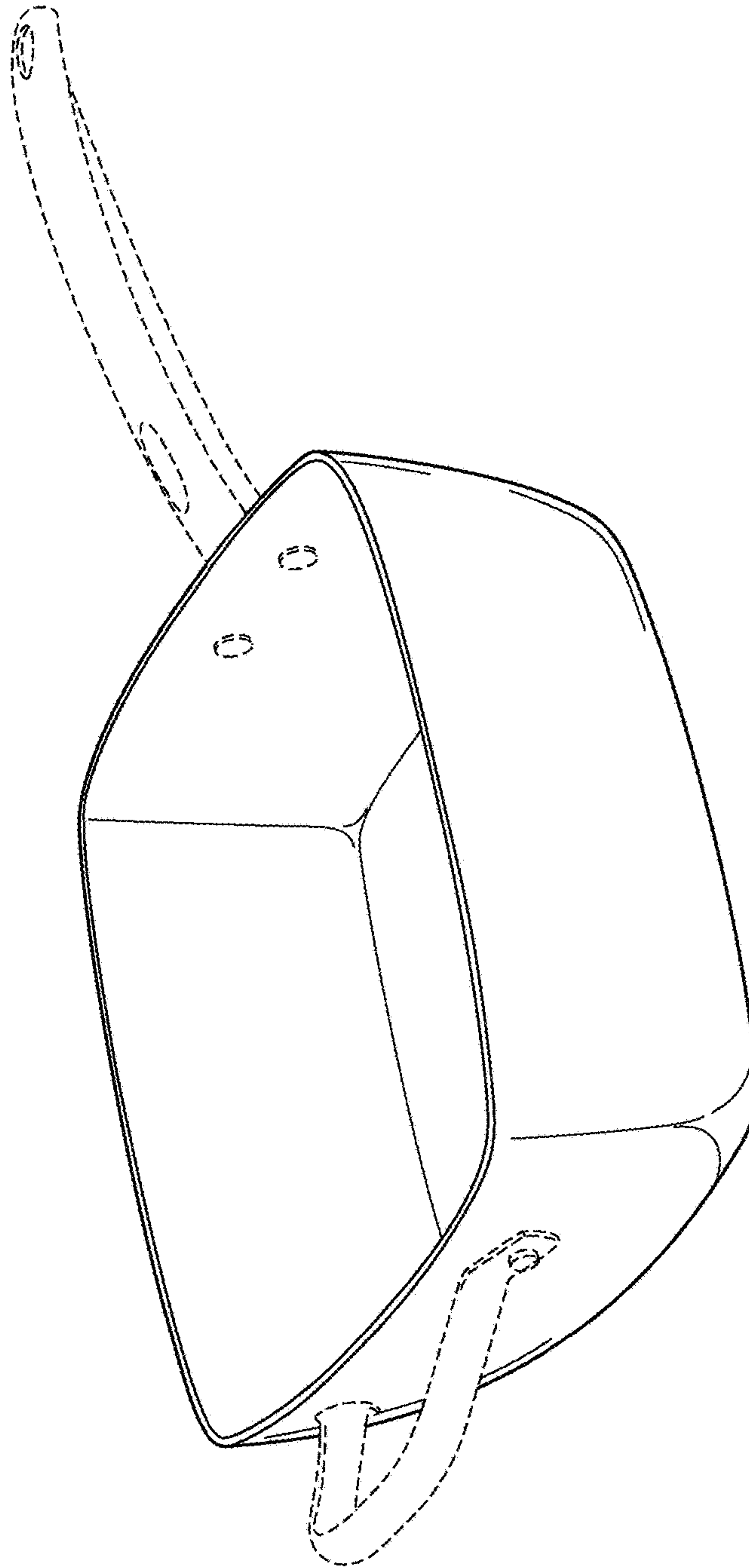


FIG.1

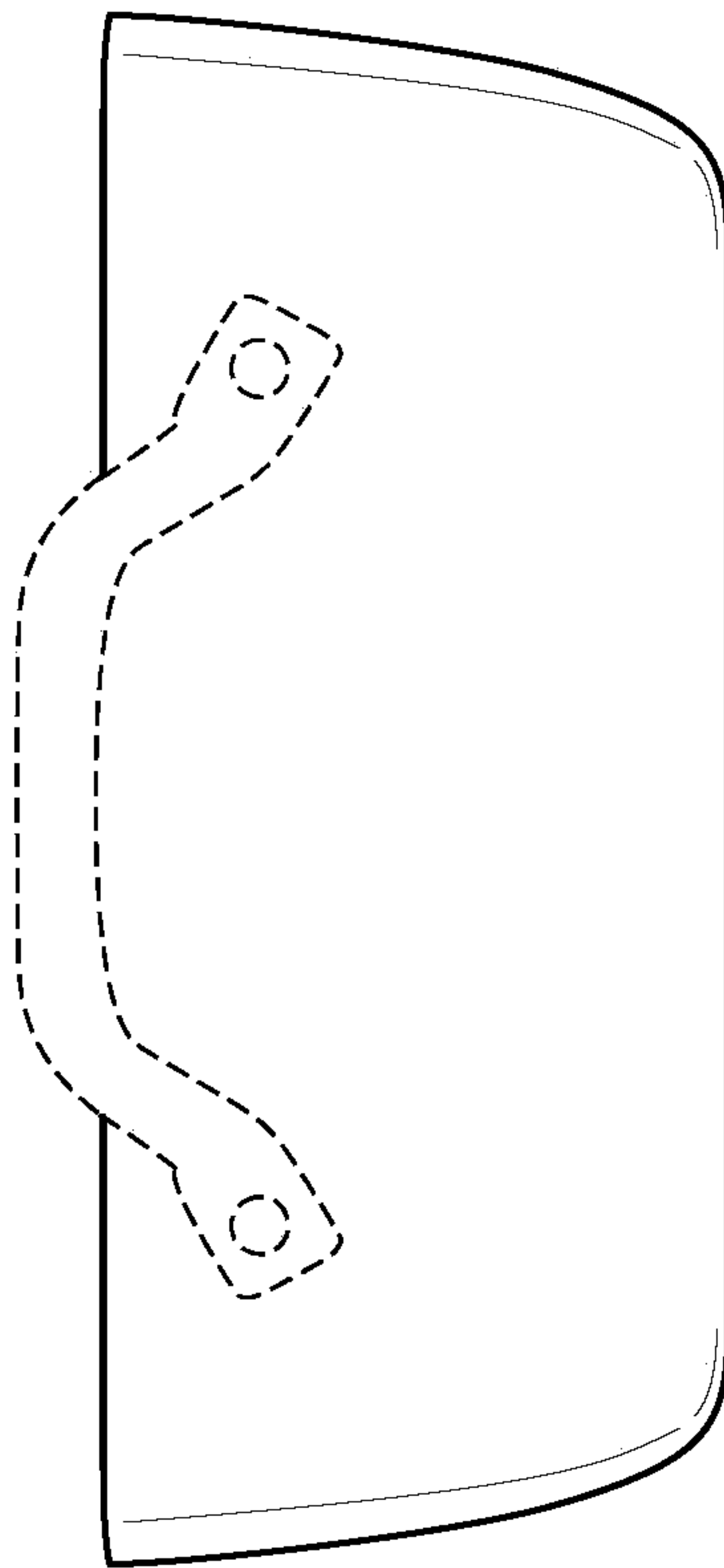


FIG. 2

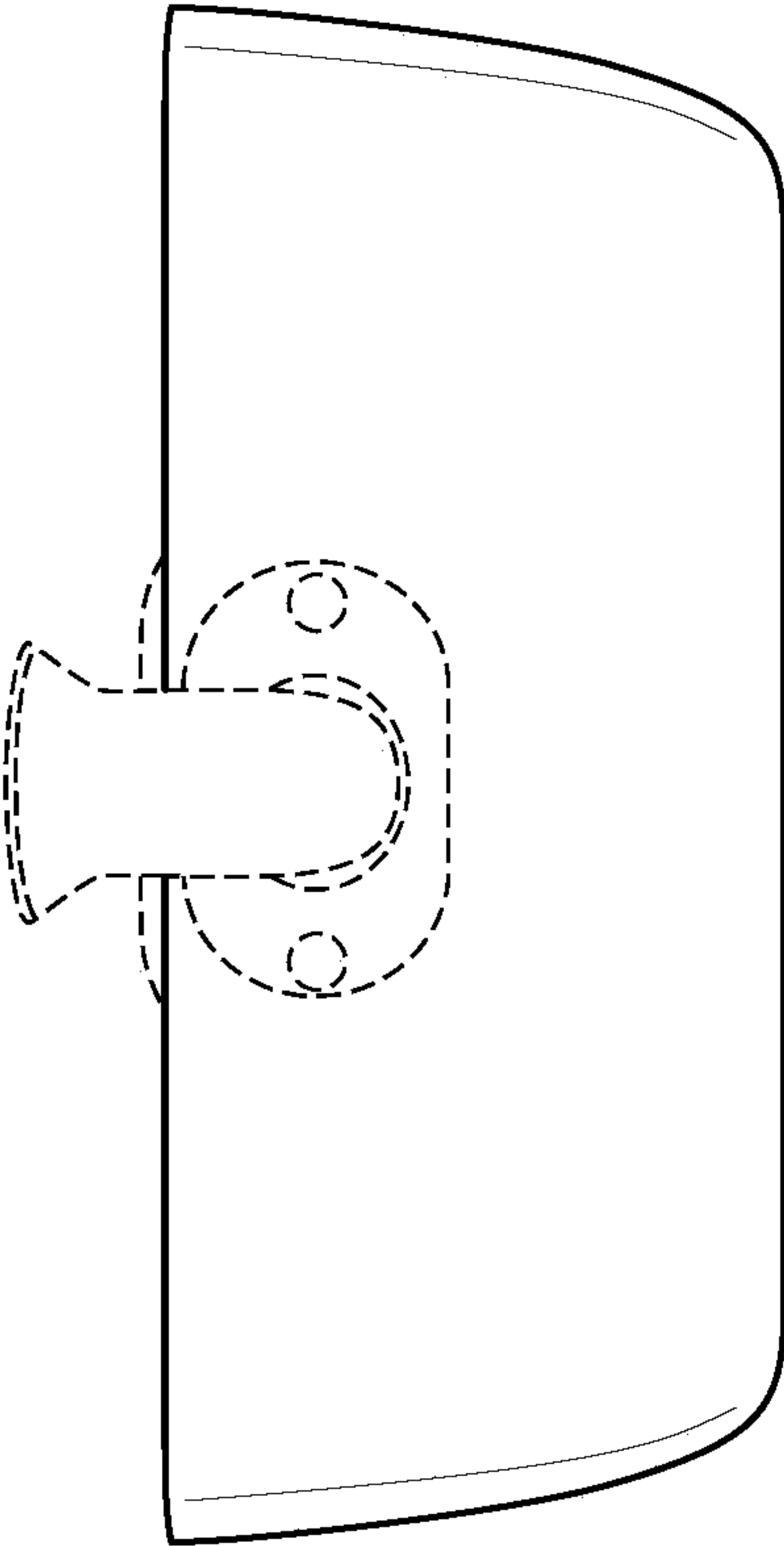


FIG. 3

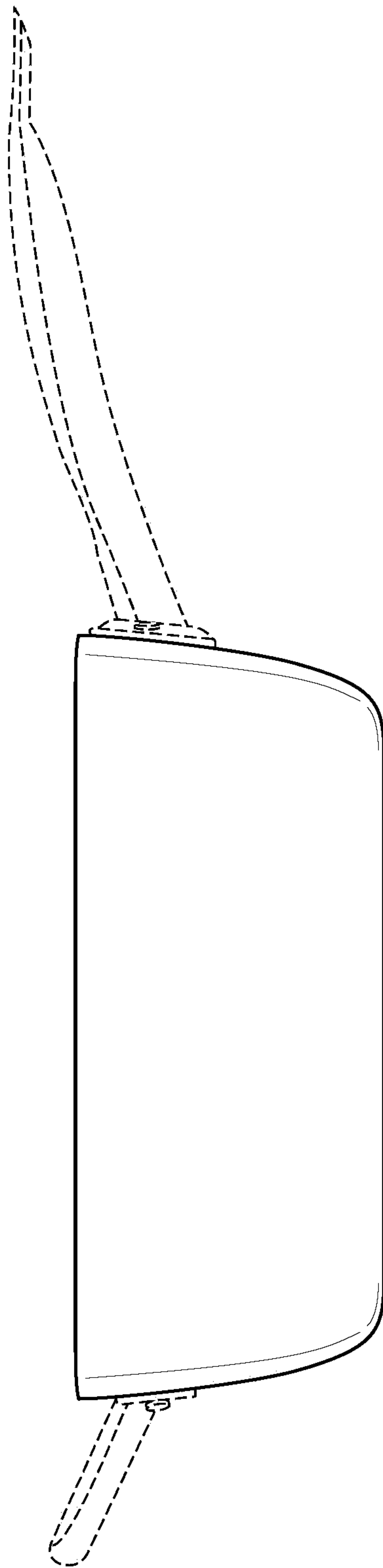


FIG. 4

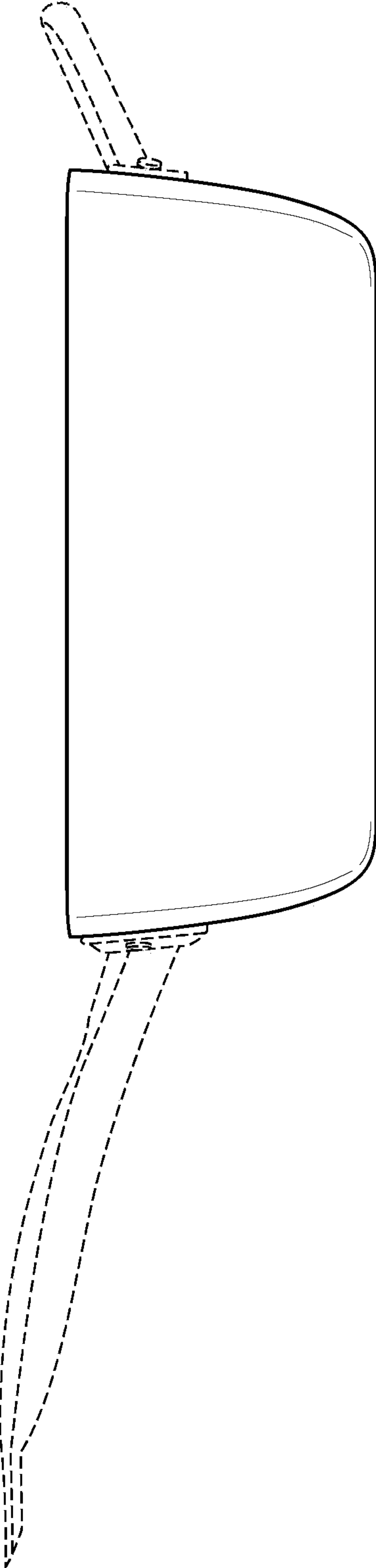


FIG. 5

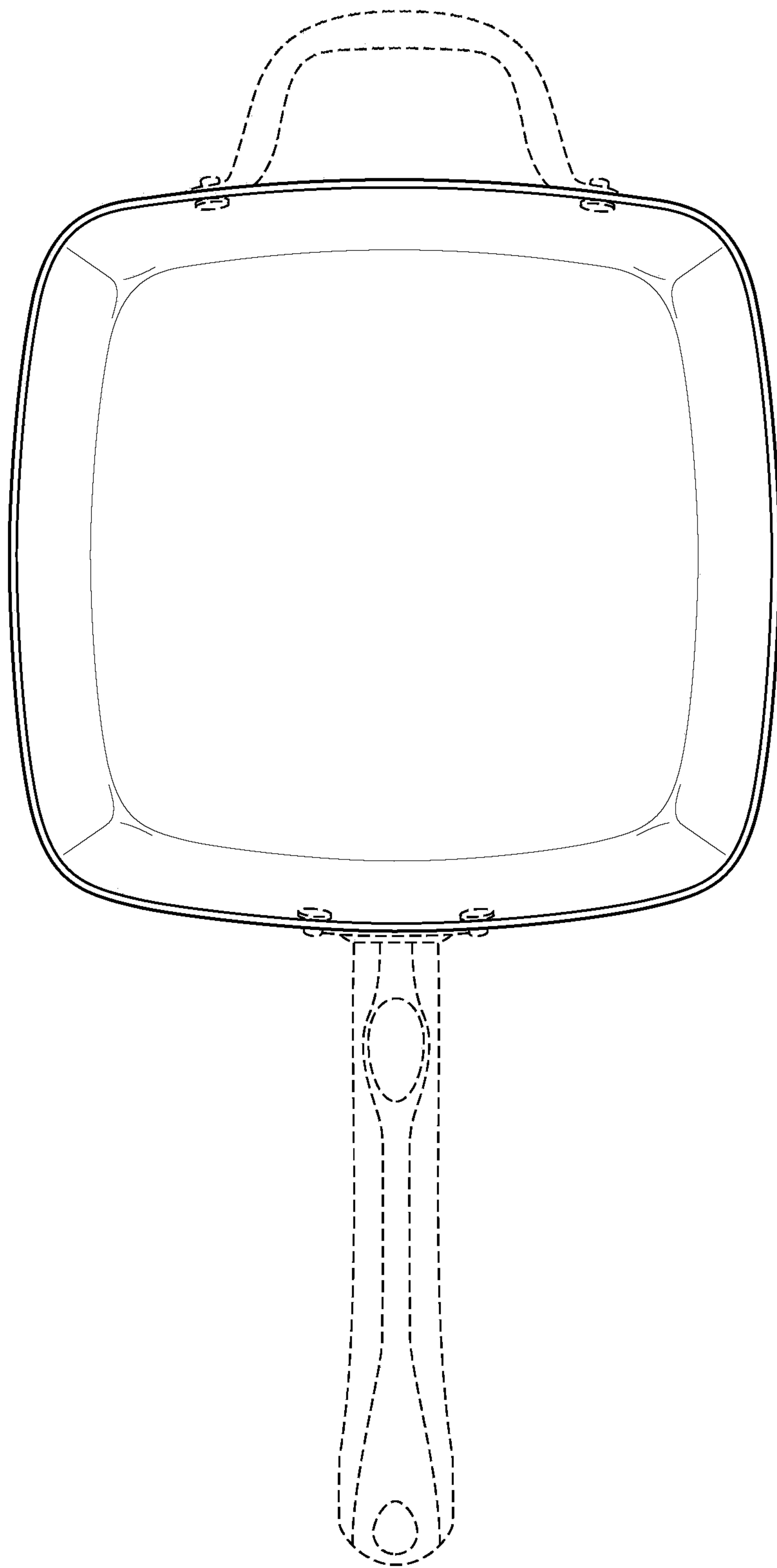


FIG. 6

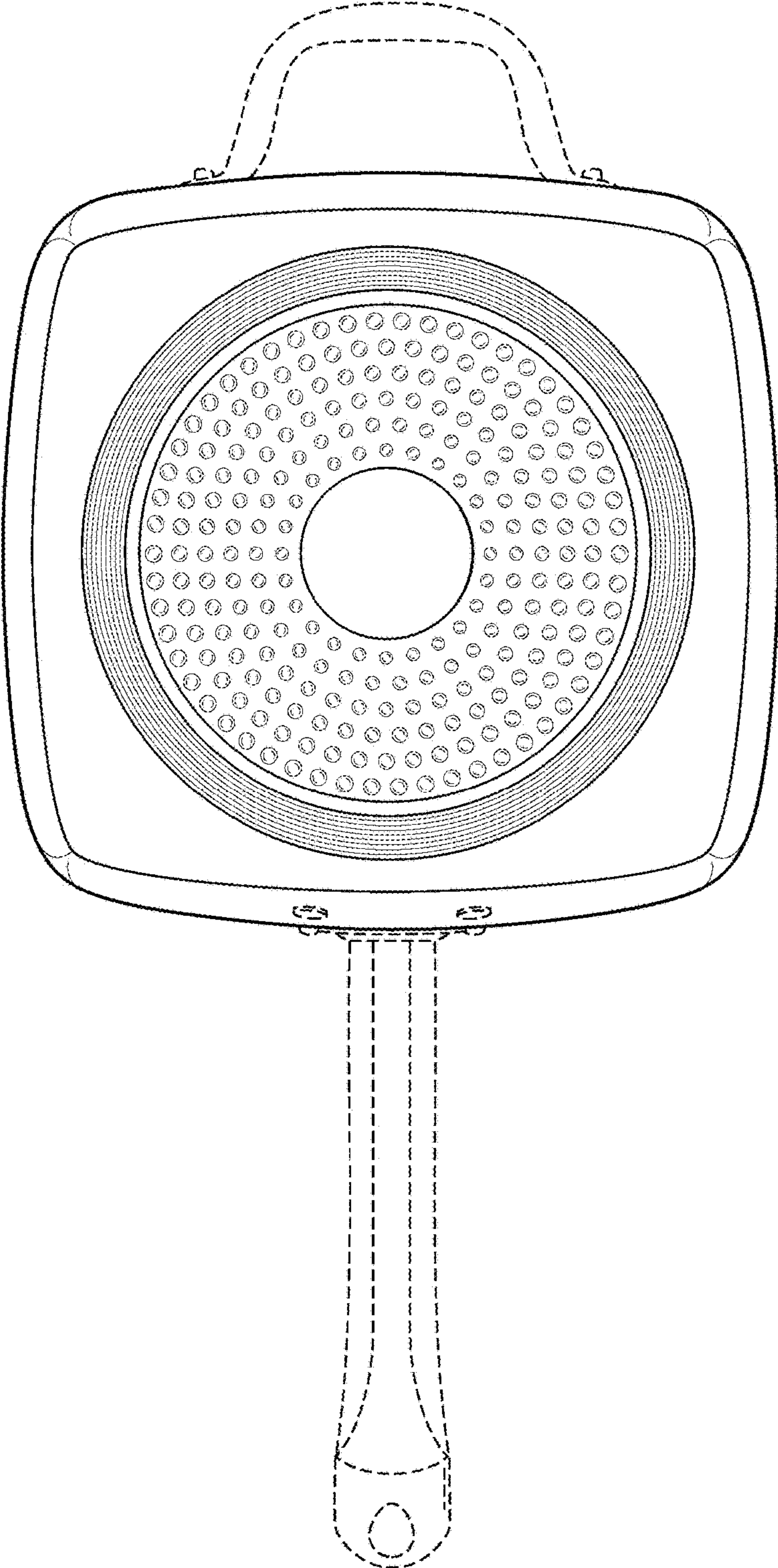


FIG. 7

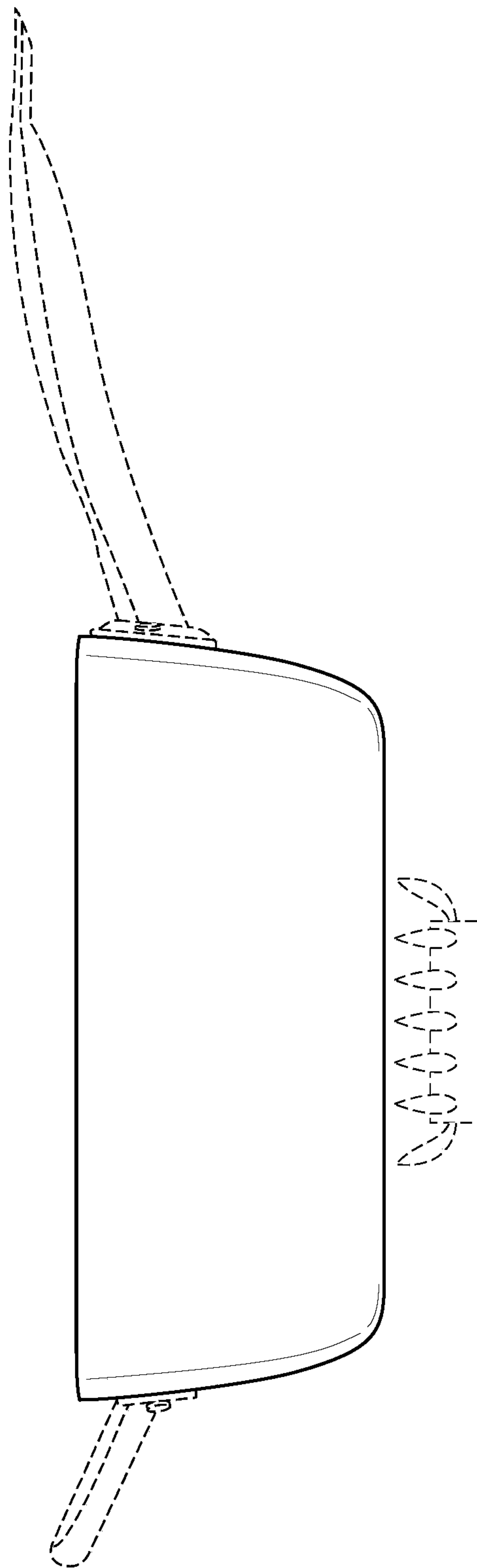


FIG. 8

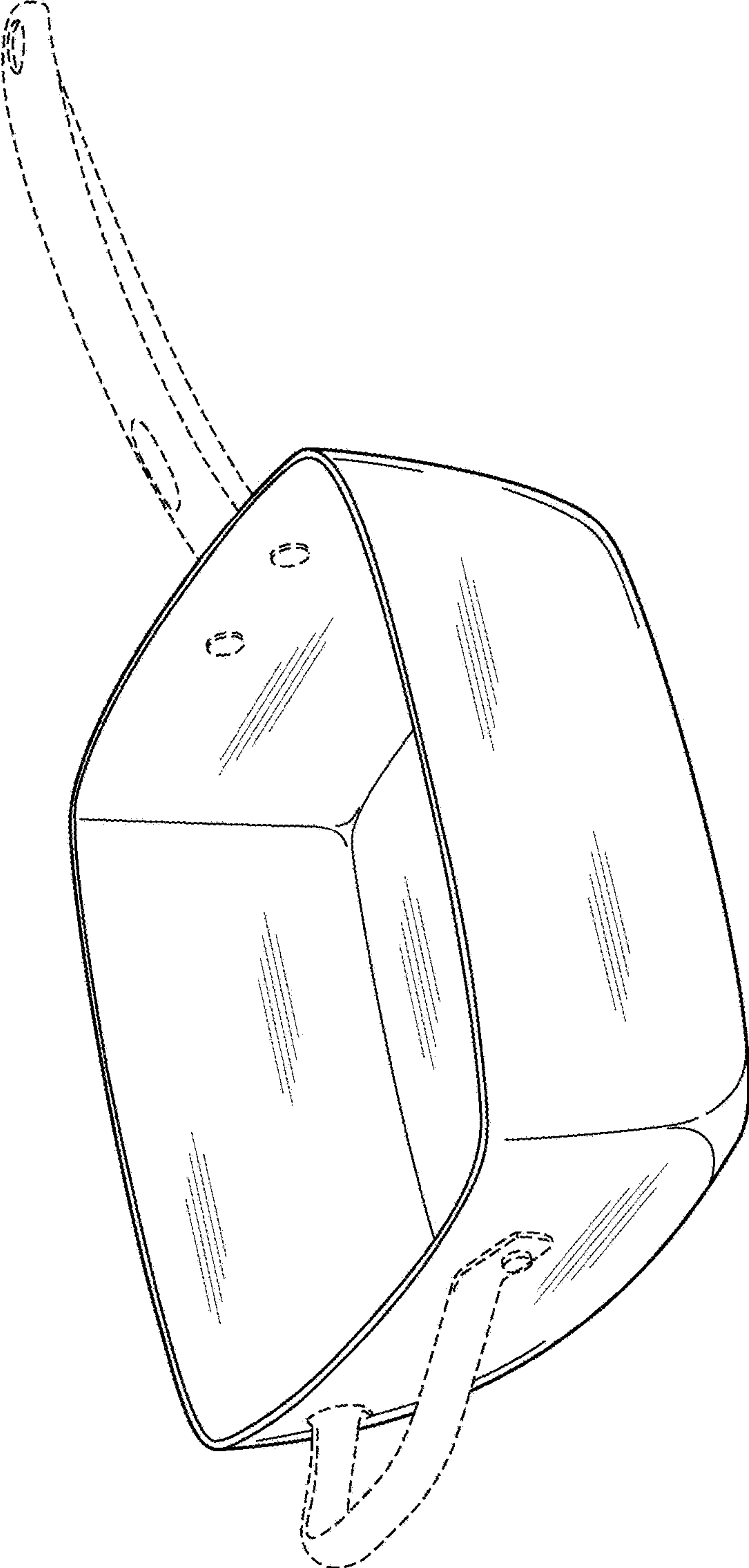


FIG. 9



US00D778103C1

(12) **EX PARTE REEXAMINATION CERTIFICATE** (11618th)
United States Patent
Mirchandani et al.

(10) **Number:** **US D778,103 C1**
(45) **Certificate Issued:** **Jan. 2, 2020**

- (54) **PAN**
- (71) Applicant: **Tristar Products, Inc.**, Fairfield, NJ (US)
- (72) Inventors: **Keith Mirchandani**, Fairfield, NJ (US); **Mo-Tsan Tsai**, Shenzhen (CN)
- (73) Assignees: **Tristar Products, Inc.**; **KE M.O. House Co., Ltd.**

Reexamination Request:
No. 90/013,949, May 3, 2017

Reexamination Certificate for:
Patent No.: **Des. 778,103**
Issued: **Feb. 7, 2017**
Appl. No.: **29/552,601**
Filed: **Jan. 24, 2016**

Related U.S. Application Data

- (63) Continuation-in-part of application No. 29/547,842, filed on Dec. 8, 2015, now Pat. No. Des. 825,980.

(30) **Foreign Application Priority Data**

- Dec. 1, 2015 (CN) 2015 3 0493868
- (51) **LOC (12) Cl.** **07-02**

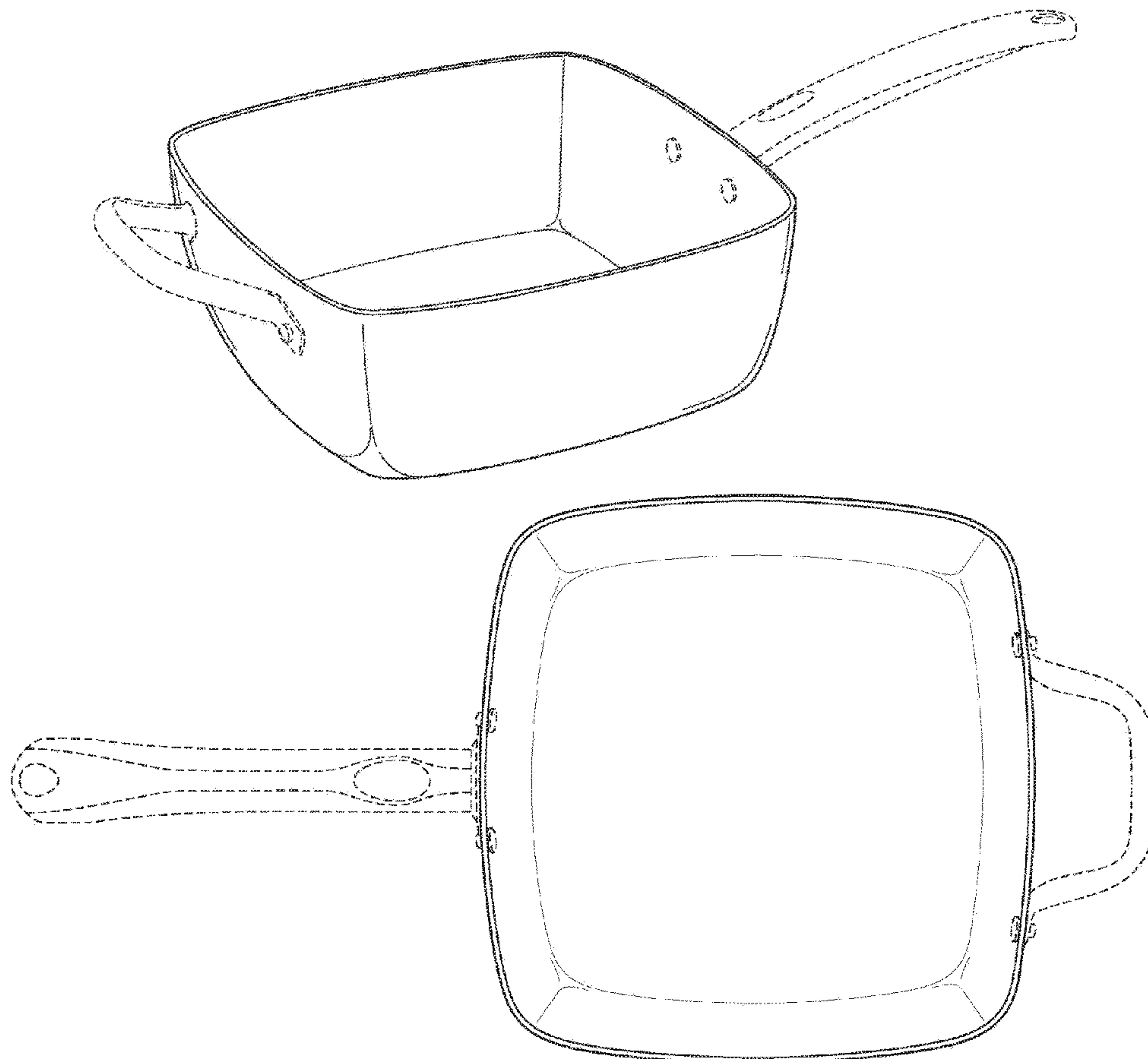
- (52) **U.S. Cl.**
USPC **D7/354**
- (58) **Field of Classification Search**
USPC D4/129, 138; D7/323, 354–363, 391, D7/393–396, 402, 409; D8/107, 307; D9/907; 119/161, 166; 126/332, 380.1, 126/390.1; 206/501–505, 507–508; 219/400, 405, 435–442, 620–624, 725, 219/730, 735
- CPC A47G 19/12; A47J 27/00; A47J 27/002; A47J 27/022; A47J 27/02; A47J 27/08; A47J 27/21; A47J 27/58; A47J 36/025; A47J 36/02; A47J 36/06; A47J 36/12; A47J 37/00; A47J 37/10; A47J 37/101; A47J 37/103; A47J 37/12; A47J 37/1204; A47J 45/061; A47J 45/071; A47J 45/08; H05B 6/12

See application file for complete search history.

(56) **References Cited**

To view the complete listing of prior art documents cited during the proceeding for Reexamination Control Number 90/013,949, please refer to the USPTO's public Patent Application Information Retrieval (PAIR) system under the Display References tab.

Primary Examiner — Ian Simmons



1
EX PARTE
REEXAMINATION CERTIFICATE

THE PATENT IS HEREBY AMENDED AS
INDICATED BELOW.

5

AS A RESULT OF REEXAMINATION, IT HAS BEEN
DETERMINED THAT:

The claim 1 is cancelled.

10

* * * * *