



US00D778098S

(12) **United States Design Patent** (10) **Patent No.:** **US D778,098 S**
Horimoto (45) **Date of Patent:** **** Feb. 7, 2017**

(54) **COFFEE MAKER**
(71) Applicant: **Zojirushi Corporation**, Osaka-shi,
Osaka (JP)
(72) Inventor: **Mitsunori Horimoto**, Osaka (JP)
(73) Assignee: **Zojirashi Corporation** (JP)
(**) Term: **15 Years**

D324,319 S * 3/1992 Faerber D7/308
D324,465 S * 3/1992 Ratzlaff D7/308
D351,965 S * 11/1994 Credle, Jr. D7/300
D381,237 S * 7/1997 De'Longhi D7/309
D409,875 S * 5/1999 Alonge D7/309
D437,173 S * 2/2001 Naft D7/309
D482,231 S * 11/2003 Dickson, Jr. D7/306
D509,701 S * 9/2005 Lam D7/308

(Continued)

(21) Appl. No.: **29/533,494**
(22) Filed: **Jul. 17, 2015**

FOREIGN PATENT DOCUMENTS

JP 1256519 11/2005
JP 1259030 12/2005

(Continued)

(30) **Foreign Application Priority Data**

Jan. 20, 2015 (JP) 2015-000926

(51) **LOC (10) Cl.** **07-01**

(52) **U.S. Cl.**
USPC **D7/309**; D7/311; D7/306

(58) **Field of Classification Search**
USPC D7/306-311, 305, 300, 397, 398, 399,
D7/400; 99/279, 284, 290, 280, 299, 307,
99/297, 295, 323, 275, 281, 300, 302 R,
99/282, 288; 426/433; D20/4, 5, 1
CPC A47J 31/44; A47J 31/00; A47J 31/46;
A47J 31/10; A47J 31/56; A47J
31/42; A47J 431/4482; A47J
27/2105; A47J 31/4403; A47J
31/32; A47J 31/4457; A47J 31/52; A47J
31/0573; A47J 31/545; A47J 31/057;
B65D 81/3266

See application file for complete search history.

(56) **References Cited**

U.S. PATENT DOCUMENTS

4,503,757 A * 3/1985 Daugherty A47J 31/4403
392/447
D296,408 S * 6/1988 Gaunt D7/308
D303,903 S * 10/1989 Yoshiaki D7/305
D321,806 S * 11/1991 Chaney D7/308

OTHER PUBLICATIONS

Thermos KK Product Catalogue 2012, p. 38, Jan. 1, 2012.
Tiger Corporation Union Catalog No. 72, 2014 Spring and Summer,
p. 22, Mar. 2014.

Primary Examiner — Marianne Pandozzi
(74) *Attorney, Agent, or Firm* — Saidman DesignLaw
Group, LLC

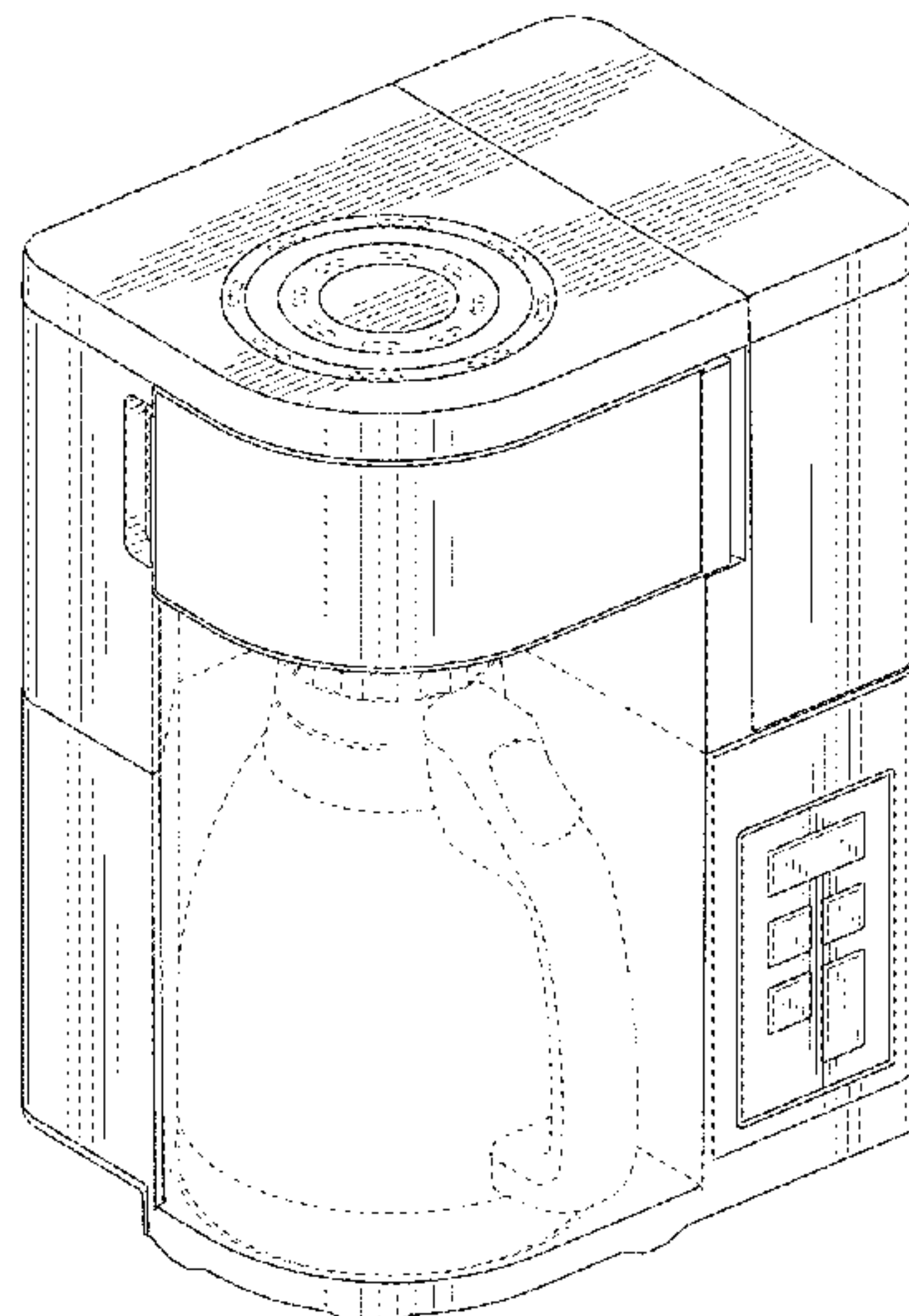
(57) **CLAIM**

The ornamental design for a coffee maker, as shown and
described.

DESCRIPTION

FIG. 1 is a top perspective view of a coffee maker showing
my new design;
FIG. 2 is a bottom perspective view thereof;
FIG. 3 is a front elevational view thereof;
FIG. 4 is a rear elevational view thereof;
FIG. 5 is a left side view thereof;
FIG. 6 is a right side view thereof;
FIG. 7 is a top plan view thereof; and,
FIG. 8 is a bottom plan view thereof.
The broken lines depict environmental subject matter only
and form no part of the claimed design.

1 Claim, 7 Drawing Sheets



(56)

References Cited

U.S. PATENT DOCUMENTS

6,973,869 B1 *	12/2005	Lin	A47J 31/057
				99/275
D581,717 S *	12/2008	Parker	D7/309
D622,536 S *	8/2010	Ågren	D7/309
D649,391 S *	11/2011	Goralski	D7/300
D651,444 S *	1/2012	Lee	D7/306
D713,668 S *	9/2014	Metaxatos	D7/309
D742,687 S *	11/2015	Kunz	D7/309
9,433,316 B2 *	9/2016	Picozza	A47J 31/4482

FOREIGN PATENT DOCUMENTS

JP	1262456	2/2006
JP	1262457	2/2006
JP	1290078	12/2006
JP	1290640	1/2007
JP	1290821	1/2007
JP	1330276	5/2008
JP	1358209	5/2009
JP	1383625	3/2010
JP	1383626	3/2010
JP	1389673	6/2010
JP	1390254	6/2010
JP	1428306	11/2011
JP	1428307	11/2011
JP	1452326	10/2012
JP	1455990	11/2012
JP	1473966	7/2013
JP	1481881	10/2013
JP	1485212	12/2013

* cited by examiner

Fig. 1

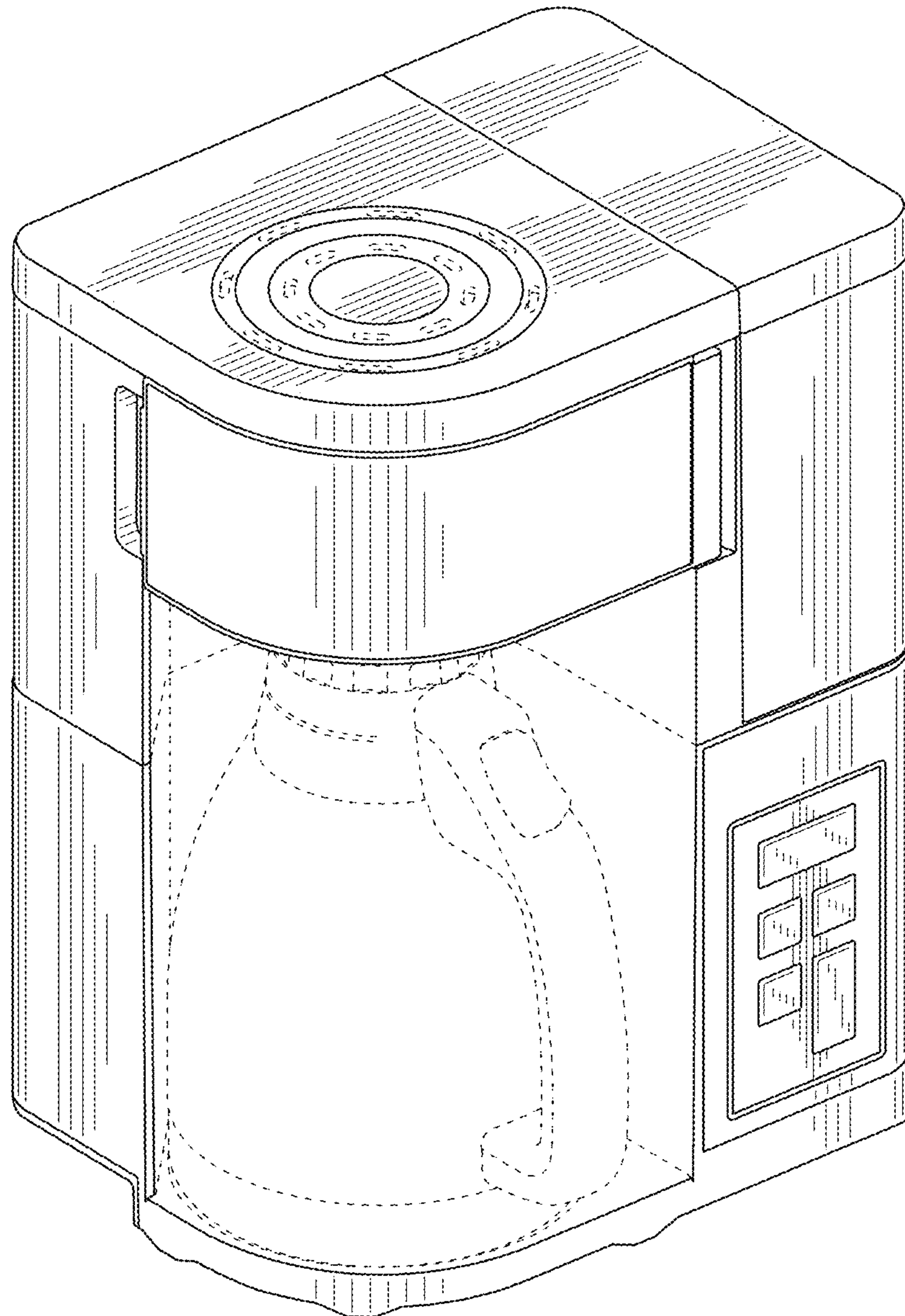


Fig. 2

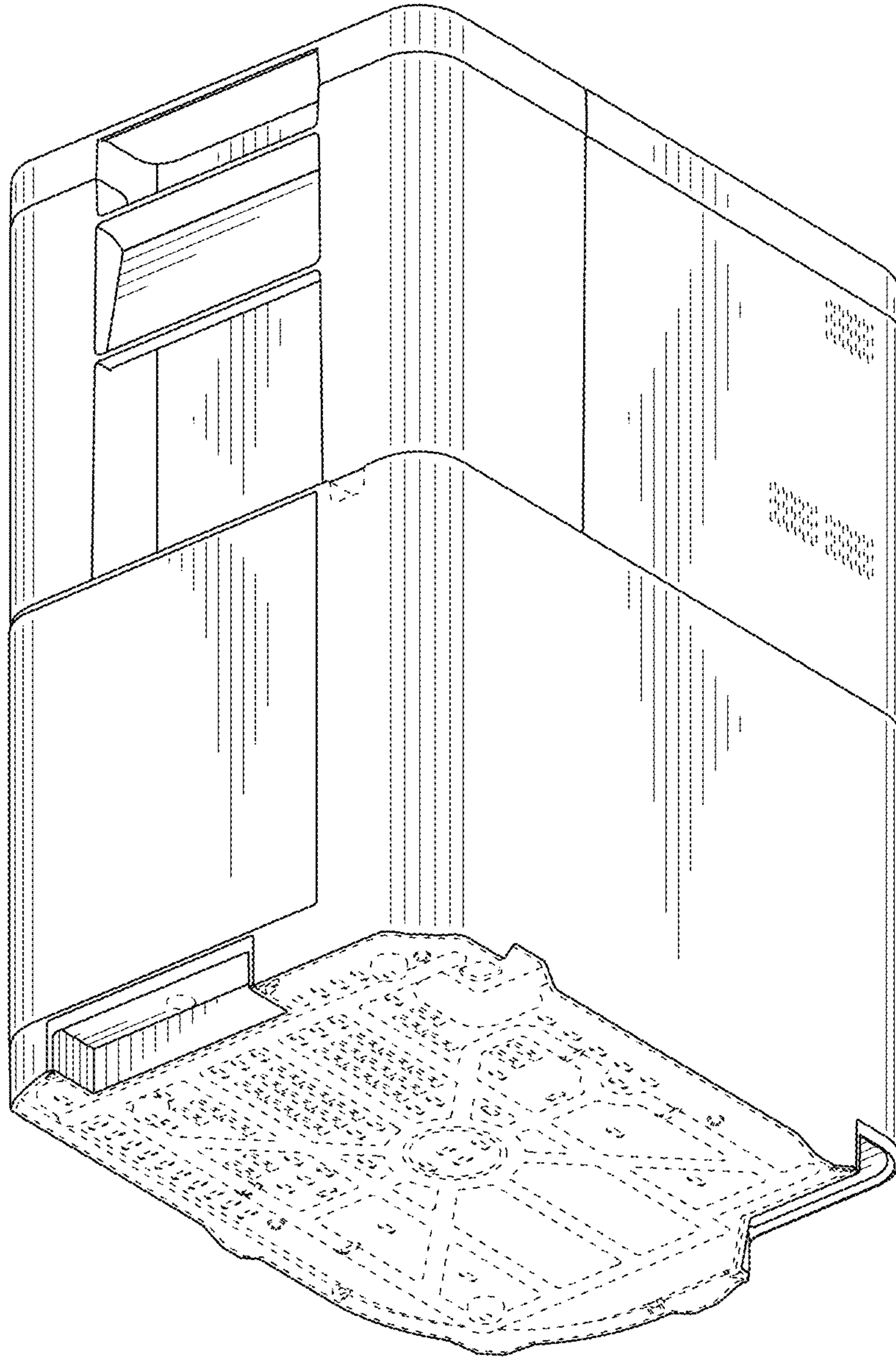


Fig. 3

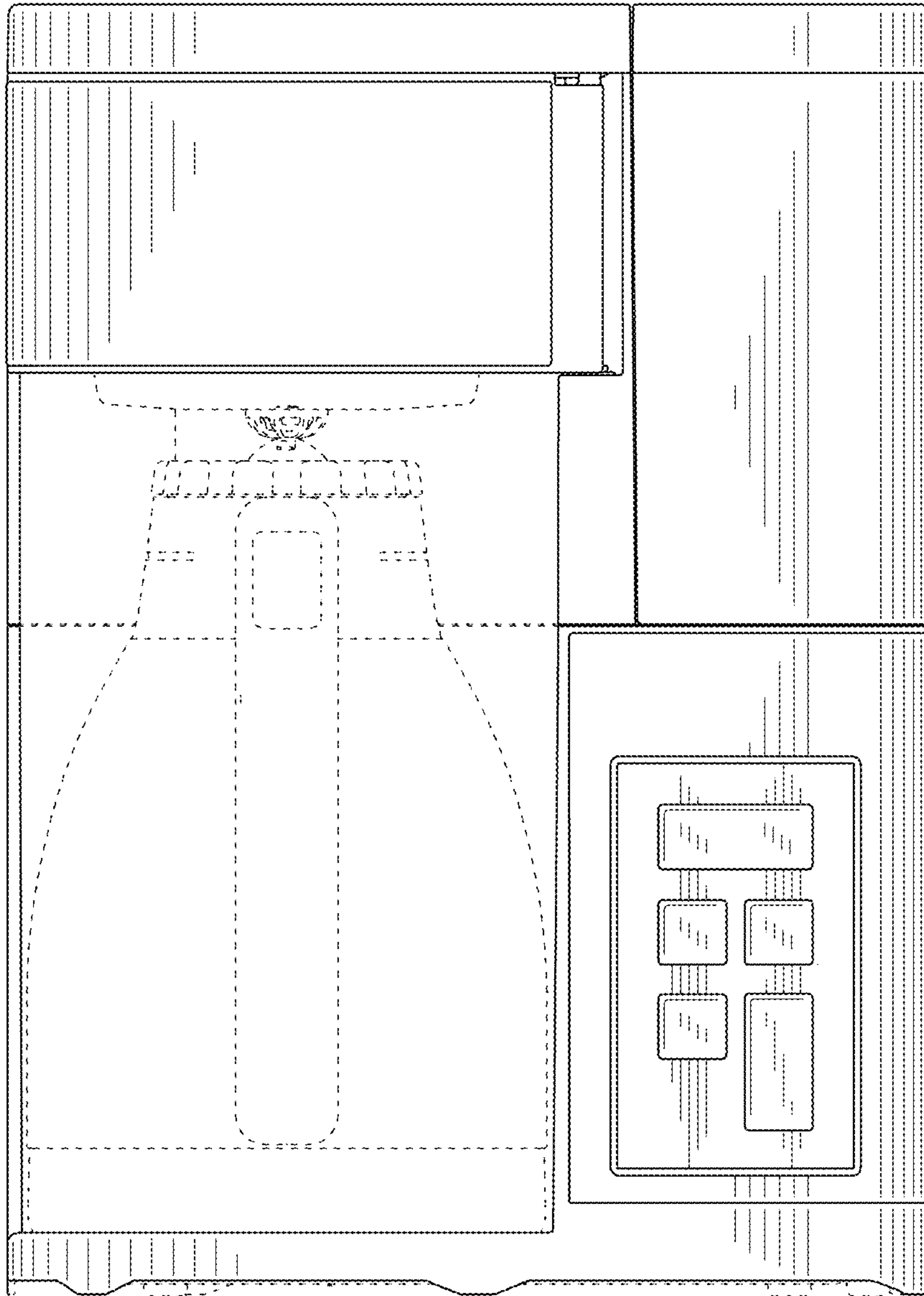


Fig. 4

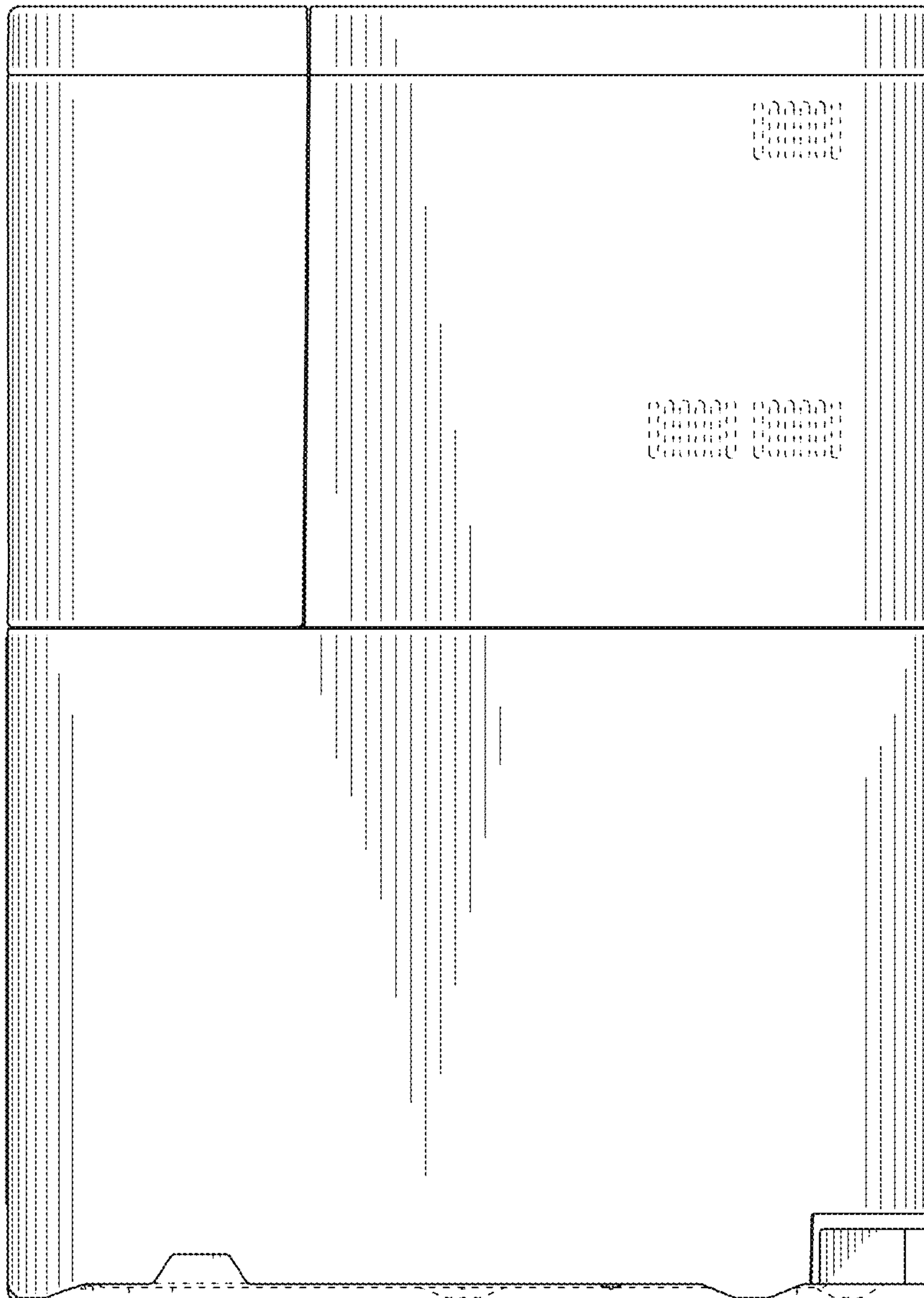


Fig. 5

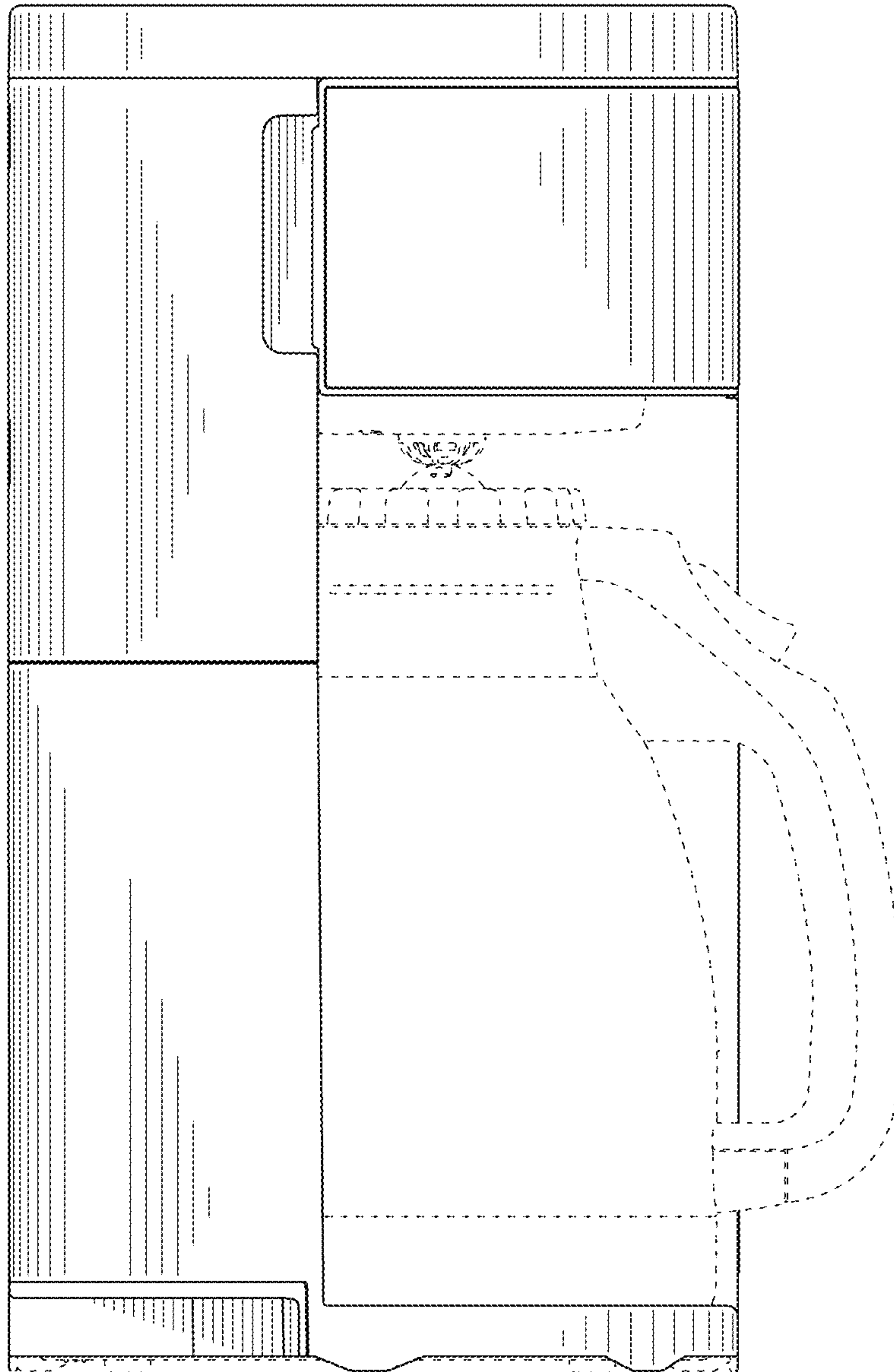


Fig. 6

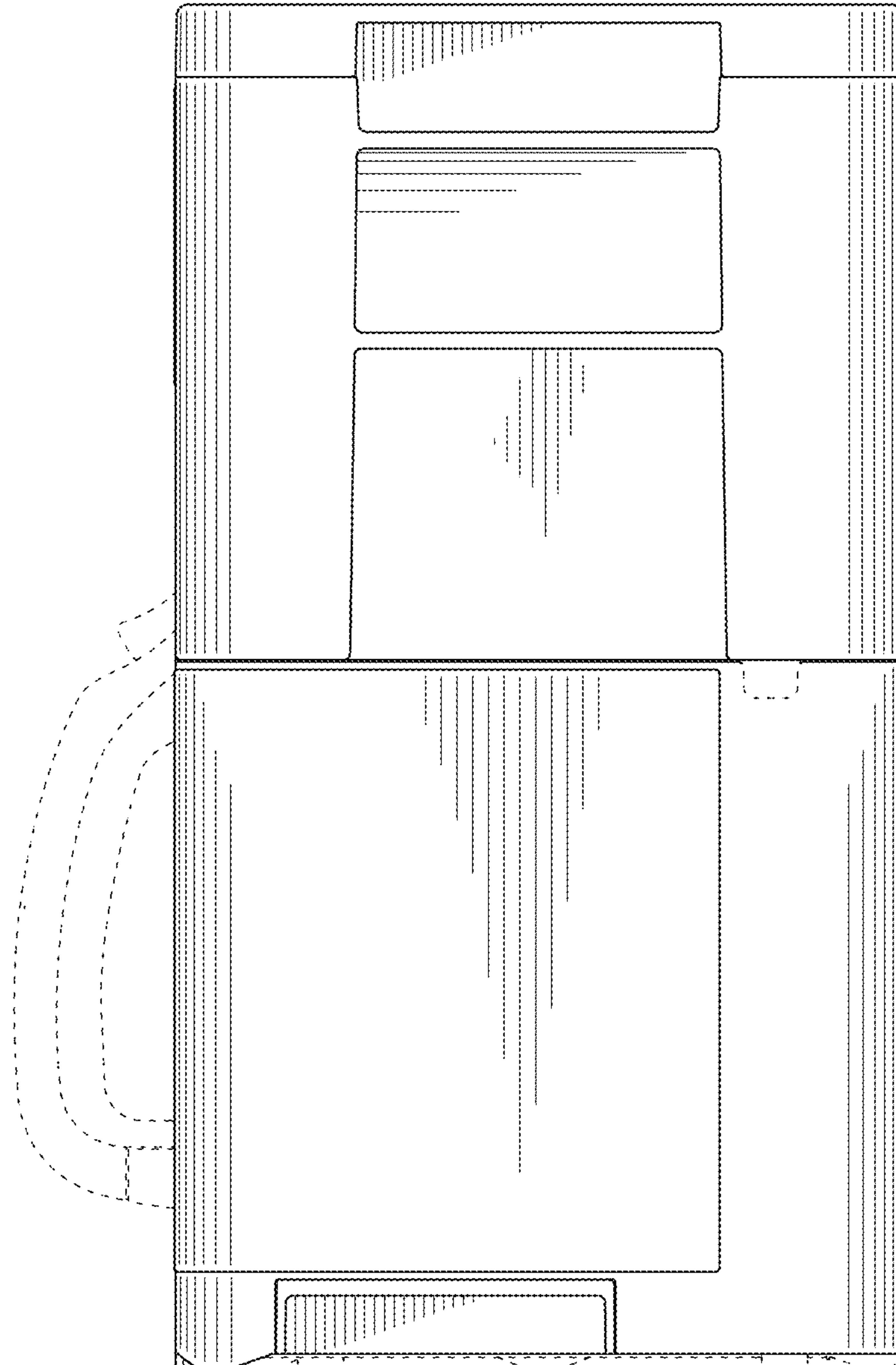


Fig. 7

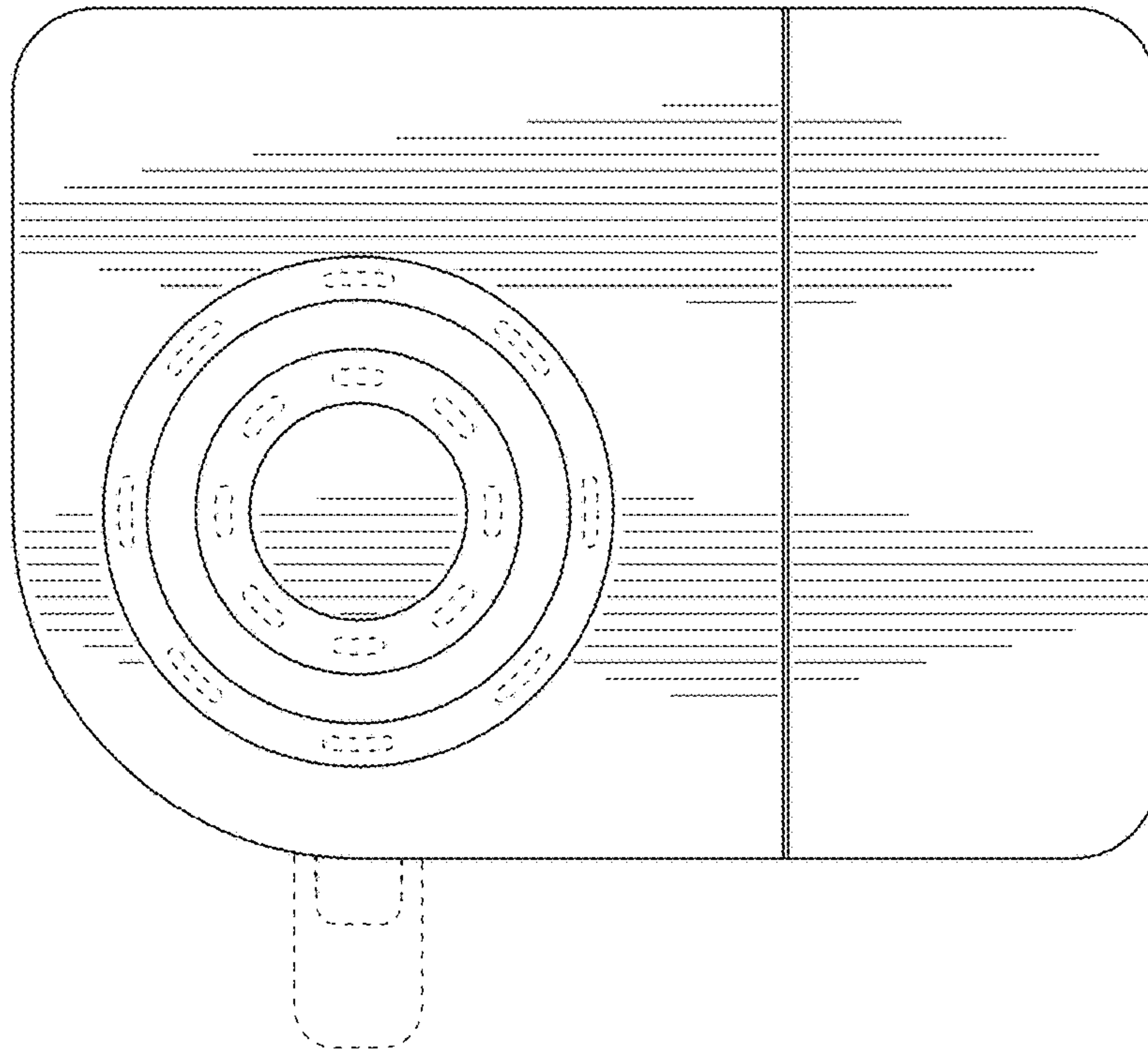
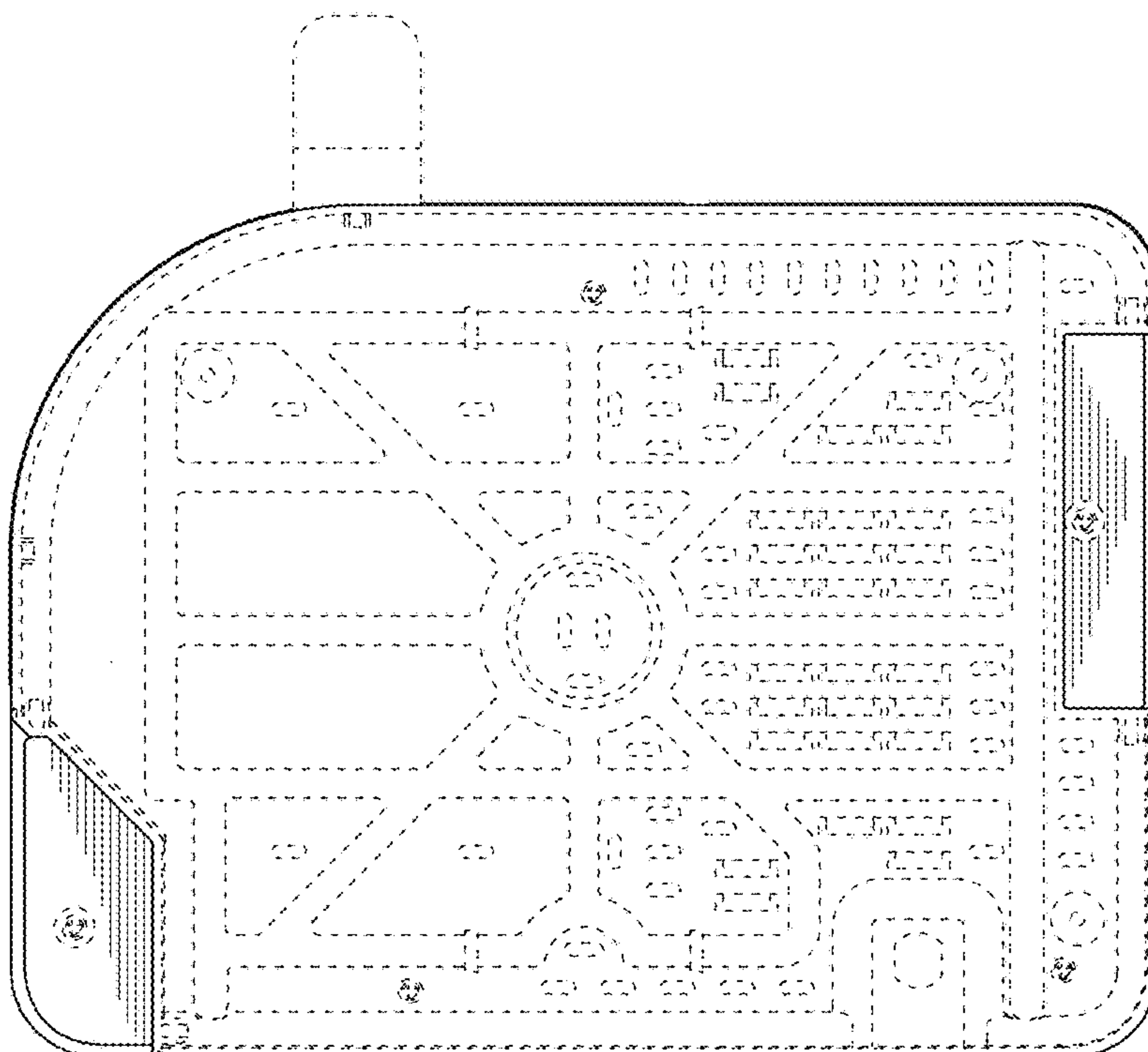


Fig. 8



UNITED STATES PATENT AND TRADEMARK OFFICE
CERTIFICATE OF CORRECTION

PATENT NO. : D778,098 S
APPLICATION NO. : 29/533494
DATED : February 7, 2017
INVENTOR(S) : Mitsunori Horimoto

Page 1 of 1

It is certified that error appears in the above-identified patent and that said Letters Patent is hereby corrected as shown below:

On the Title Page

Item (73) should read:

(73) Assignee: Zojirushi Corporation (JP)

Signed and Sealed this
Eleventh Day of April, 2017



Michelle K. Lee
Director of the United States Patent and Trademark Office