



US00D778096S

(12) **United States Design Patent** (10) **Patent No.:** **US D778,096 S**
Broen et al. (45) **Date of Patent:** **** Feb. 7, 2017**

- (54) **DISPENSER**
- (71) Applicant: **PepsiCo, Inc.**, Purchase, NY (US)
- (72) Inventors: **Martin Eduardo Broen**, New York, NY (US); **Stephen Lim**, Chappaqua, NY (US); **Eric Bogner**, Brooklyn, NY (US); **Aaron Eigen**, Austin, TX (US); **Adrian Taylor**, Austin, TX (US)
- (73) Assignee: **PepsiCo, Inc.**, Purchase, NY (US)
- (**) Term: **14 Years**
- (21) Appl. No.: **29/515,798**
- (22) Filed: **Jan. 27, 2015**
- (51) **LOC (10) Cl.** **07-01**
- (52) **U.S. Cl.**
USPC **D7/306; D7/305**
- (58) **Field of Classification Search**
USPC D7/300, 309-311, 306-308, 305, 313; 222/146.6, 185.1; 99/295, 273, 304
CPC A47J 31/46; A47J 31/407; A47J 31/50; A47J 31/18; A47J 31/404; A47J 31/4403; F25D 31/002; F25D 3/00; B67D 1/08
See application file for complete search history.

D716,093 S *	10/2014	Jakeman	D7/306
D727,673 S	4/2015	Broen et al.		
D734,086 S *	7/2015	Tseng	D7/306
D736,552 S *	8/2015	Shen	D7/306
D738,150 S *	9/2015	Polaski	D7/300
D742,156 S *	11/2015	Harris	D7/306

* cited by examiner

Primary Examiner — Marianne Pandozzi
 (74) *Attorney, Agent, or Firm* — Sterne, Kessler, Goldstein & Fox P.L.L.C.

(57) **CLAIM**

The ornamental design for a dispenser, as shown and described.

DESCRIPTION

FIG. 1 is a top, front, right, perspective view of a dispenser showing the claimed design.
 FIG. 2 is a front view thereof;
 FIG. 3 is a rear view thereof;
 FIG. 4 is a right side view thereof;
 FIG. 5 is a left side view thereof;
 FIG. 6 is a top view thereof; and,
 FIG. 7 is a bottom view thereof.

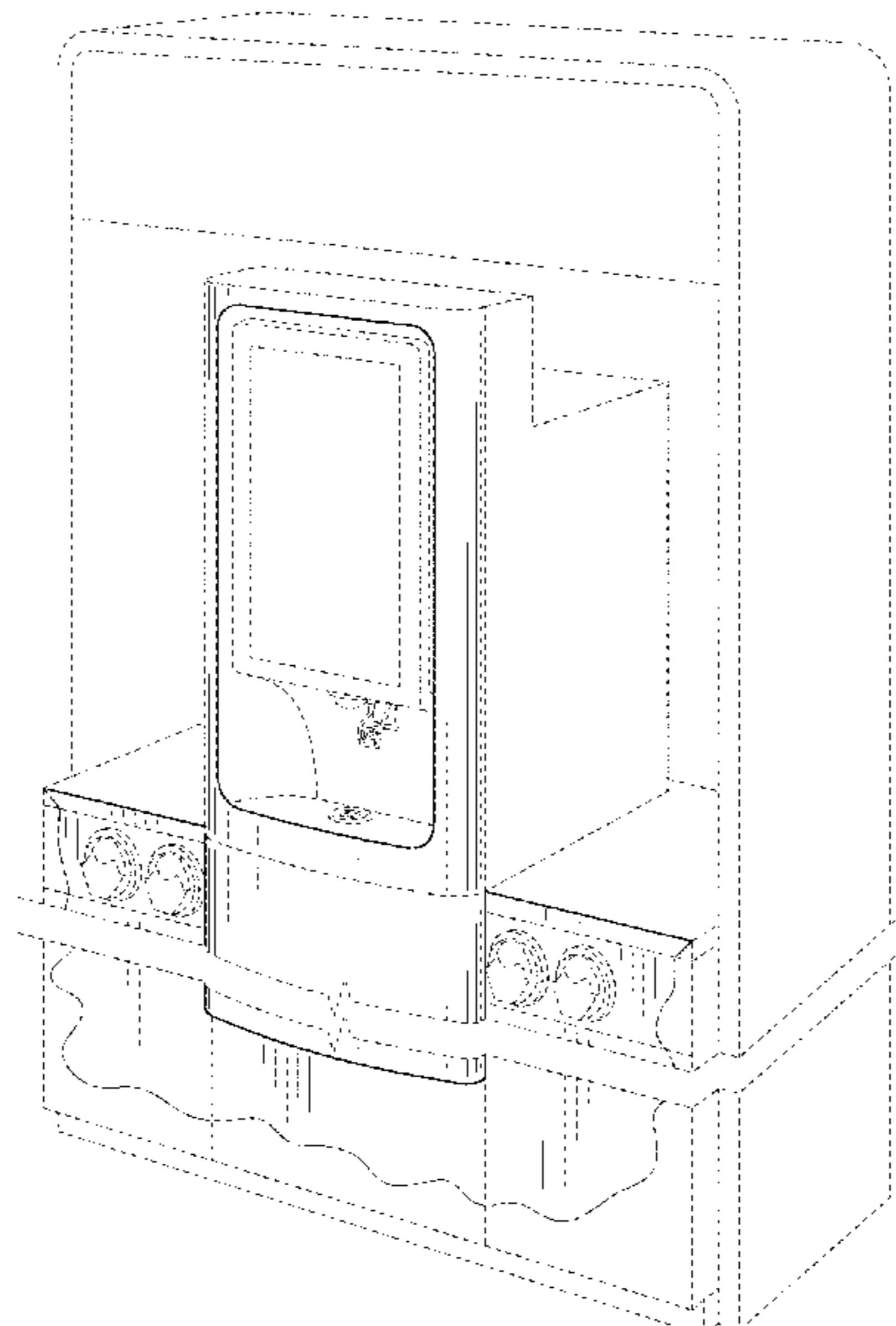
The uneven-length broken lines represent unclaimed boundaries of the claimed design. The dispenser is shown with a symbolic break in its height. The appearance of any portion of the article between the break lines forms no part of the claimed design. The even-length broken lines within the shaded area represent unclaimed portions of the dispenser. The even length broken lines immediately adjacent to the shaded area represent unclaimed boundaries of the claimed design. The even-length broken lines showing the remainder of the dispenser depict environment only and form no part of the claimed design.

(56) **References Cited**

U.S. PATENT DOCUMENTS

D297,697 S *	9/1988	Fossella	D7/309
D432,847 S *	10/2000	Smith	D7/300
D608,130 S *	1/2010	Moon	D7/306
D643,666 S *	8/2011	Yui	D7/307
D643,667 S *	8/2011	Yui	D7/307
D652,244 S *	1/2012	Richardson	D7/307
D701,412 S	3/2014	Broen et al.		
D704,492 S	5/2014	Broen et al.		
D710,642 S	8/2014	Broen et al.		
D710,643 S *	8/2014	Broen	D7/306

1 Claim, 5 Drawing Sheets



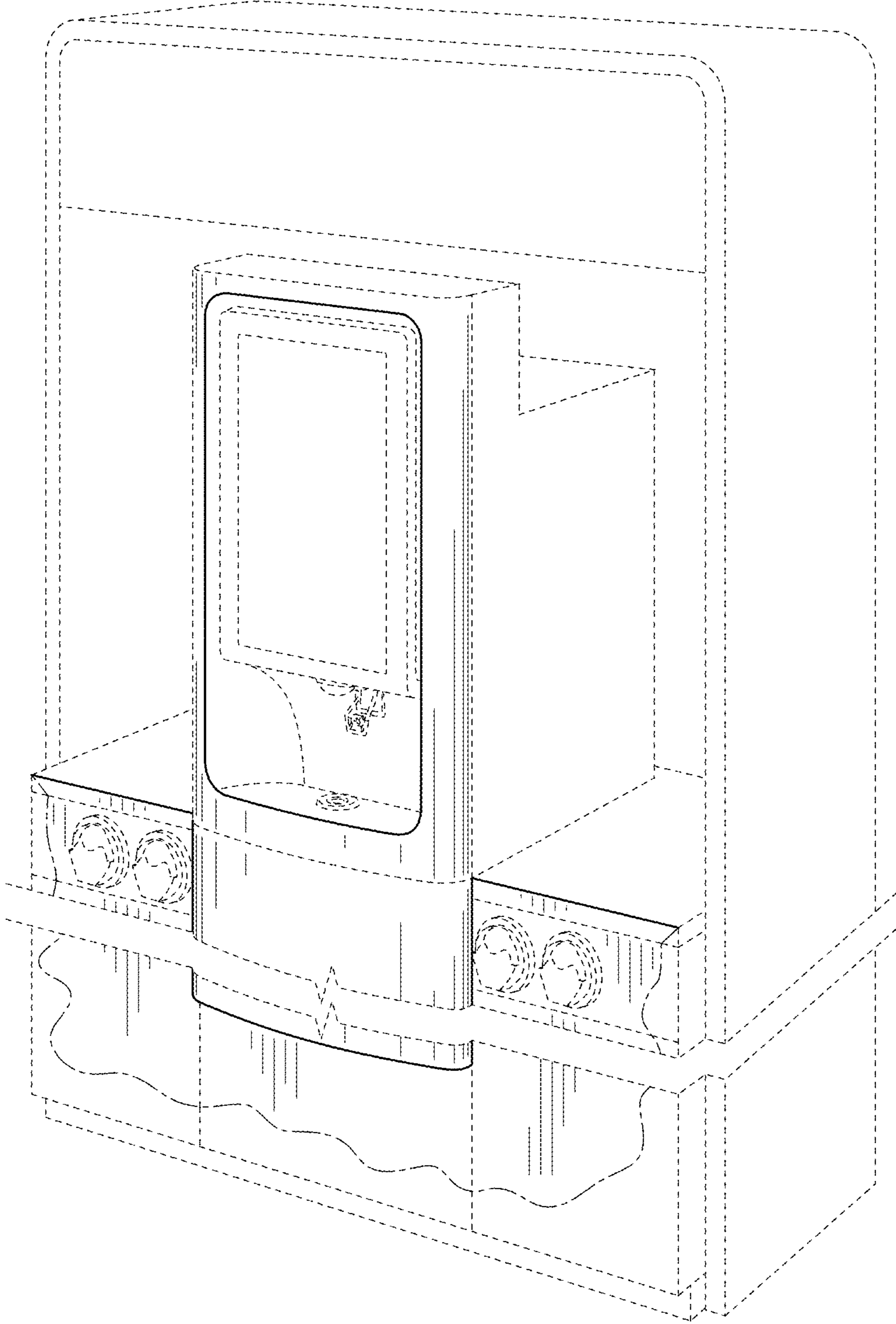


FIG. 1

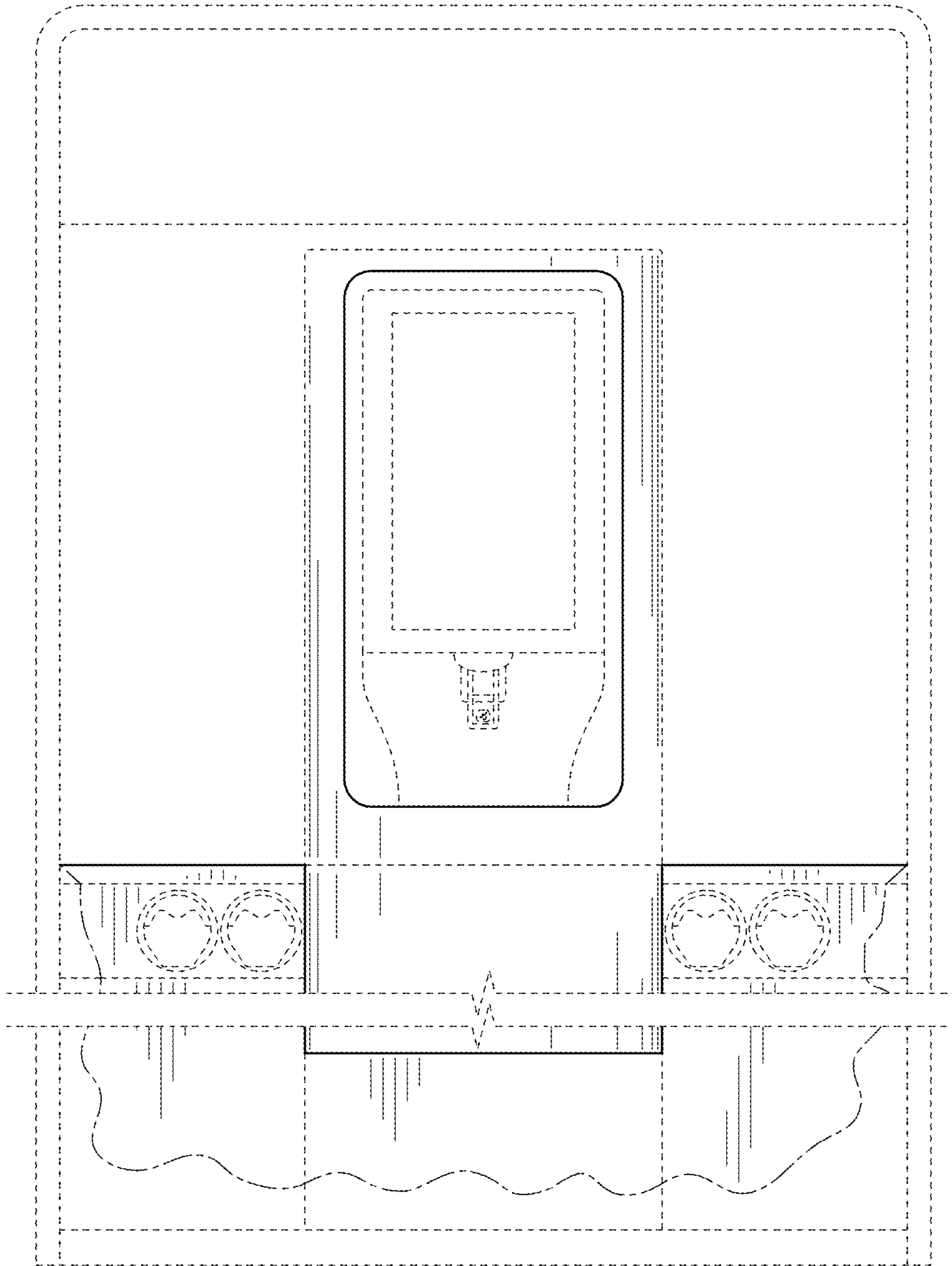


FIG. 2

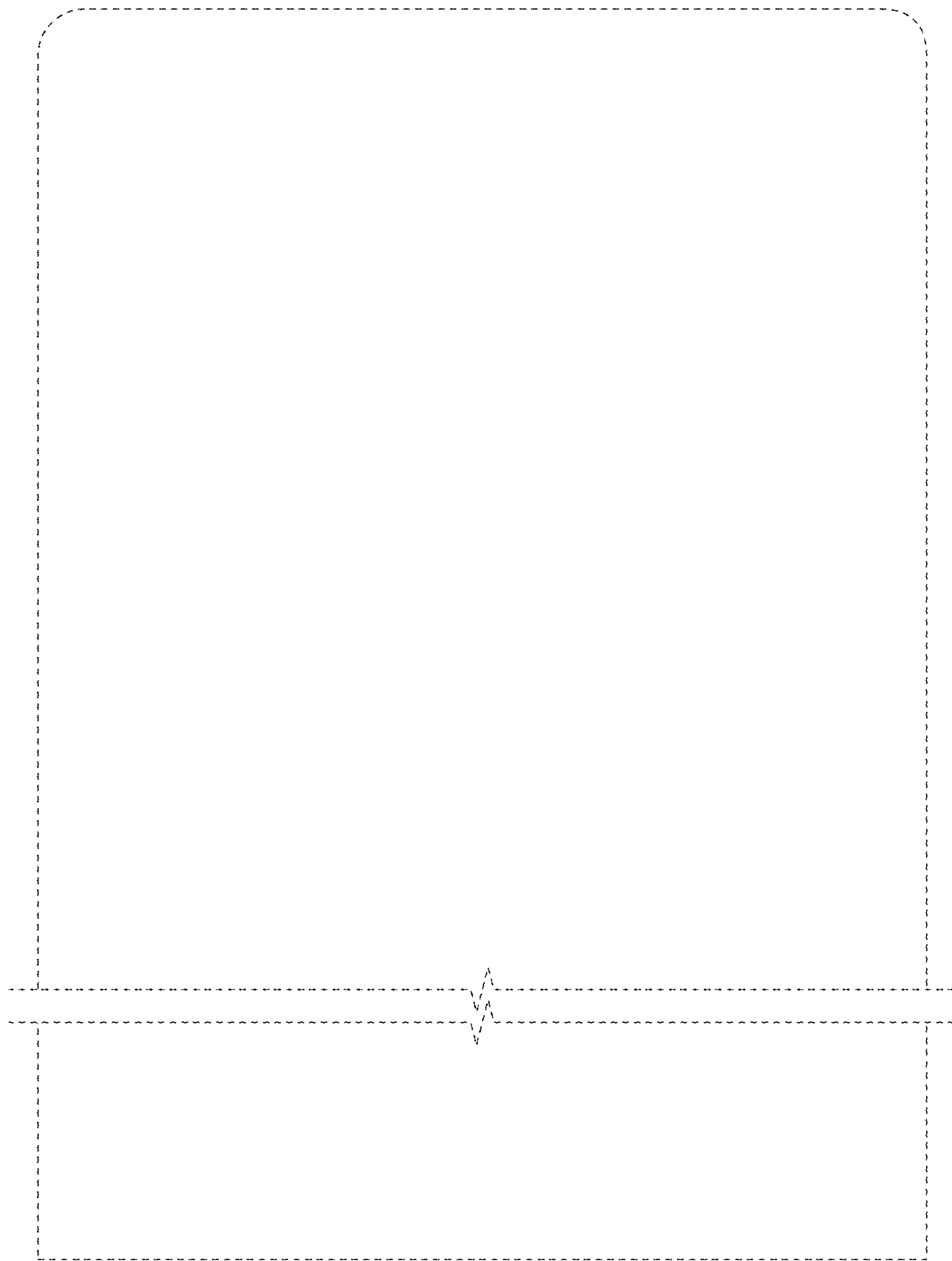


FIG. 3

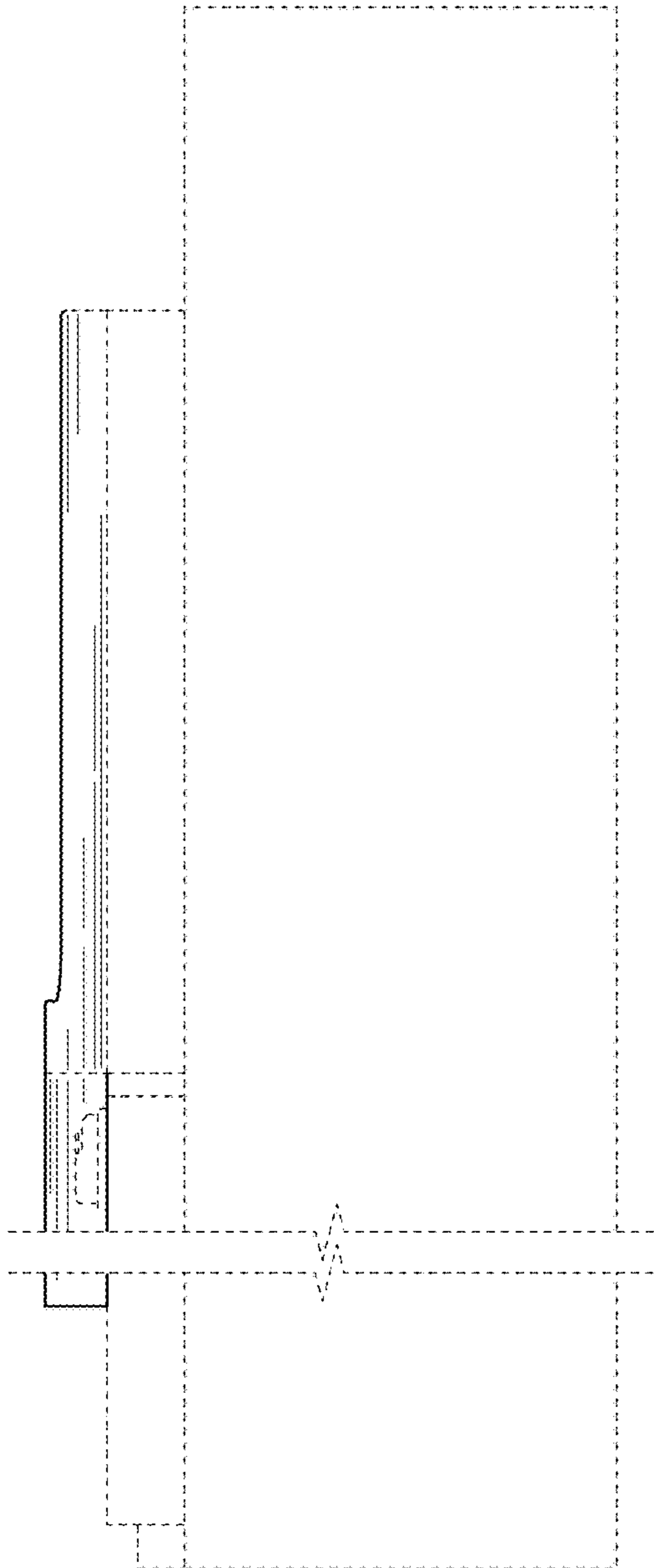


FIG. 4

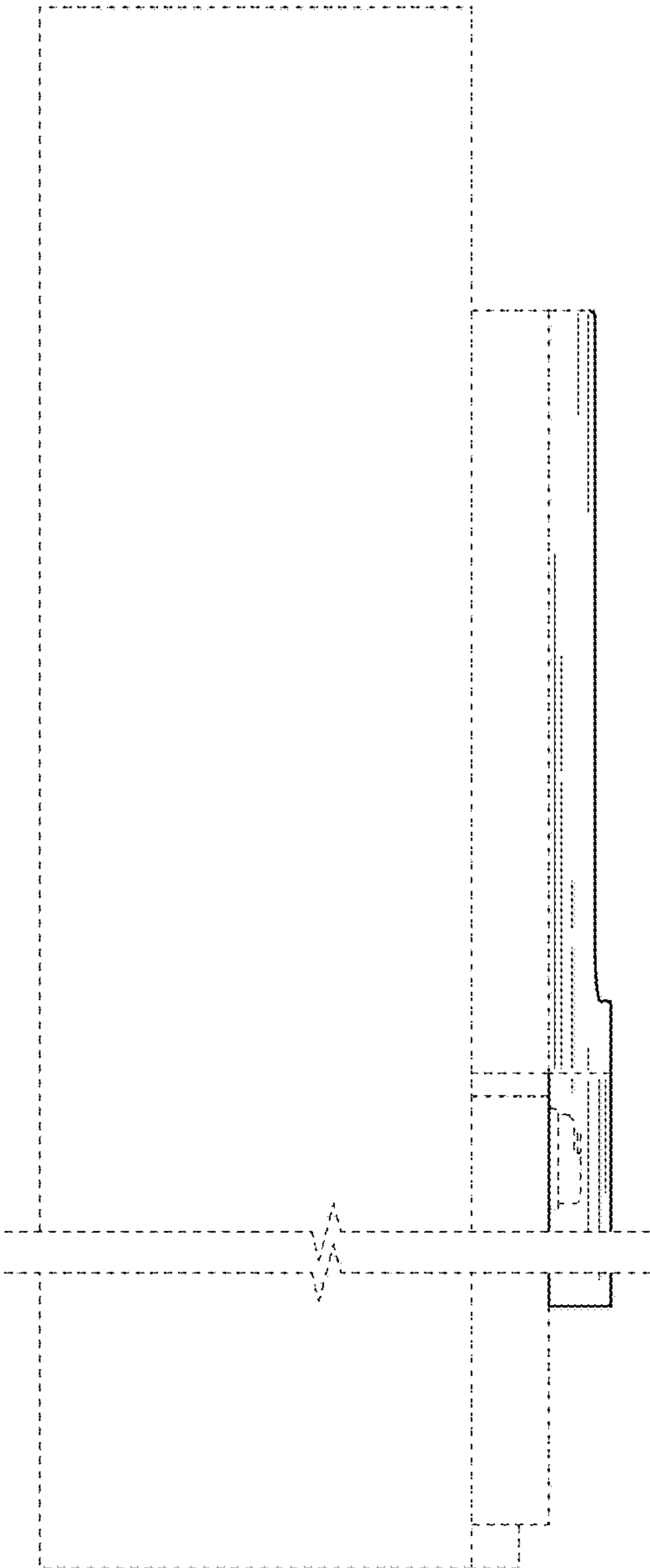


FIG. 5

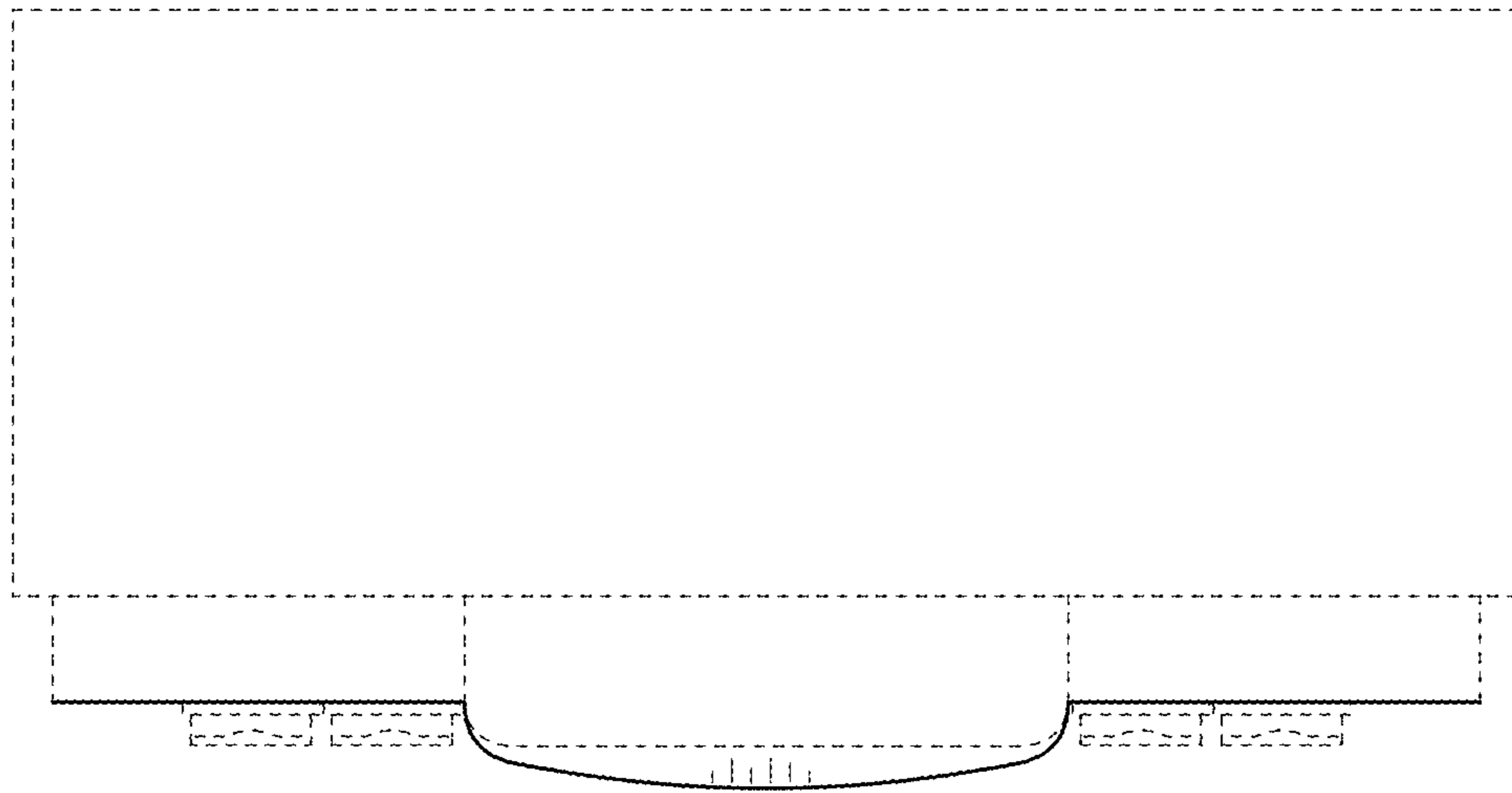


FIG. 6

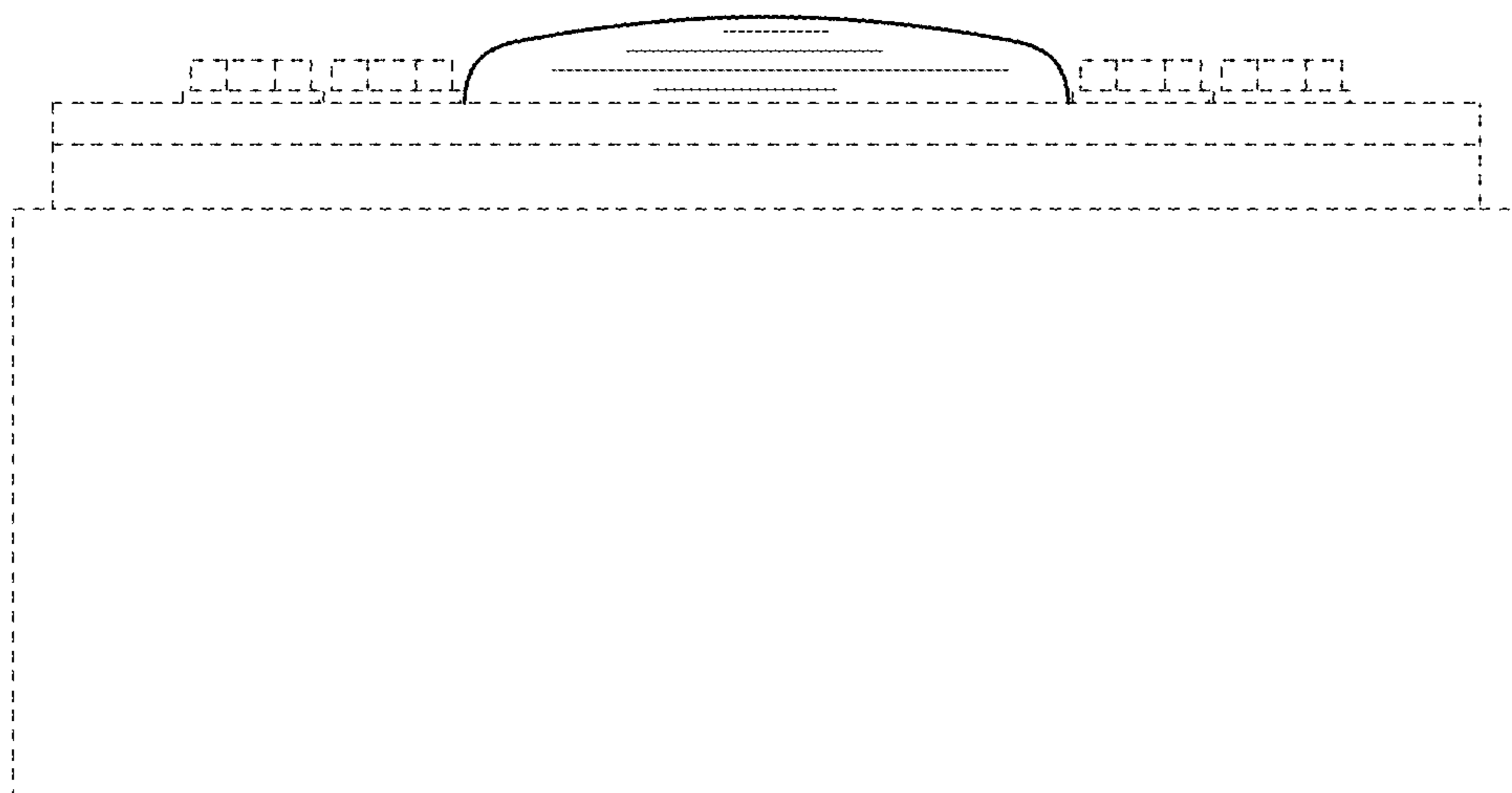


FIG. 7