



US00D778094S

(12) **United States Design Patent** (10) **Patent No.:** **US D778,094 S**
Sutterluety (45) **Date of Patent:** **** Feb. 7, 2017**

(54) **CHAIR LIFT ACCESSORY**
(71) Applicant: **INNOVA PATENT GMBH**, Wolfurt (AT)
(72) Inventor: **Andreas Sutterluety**, Egg (AT)
(73) Assignee: **Innova Patent GmbH**, Wolfurt (AT)
(**) Term: **15 Years**

8,579,379 B2 * 11/2013 Tamisier B61B 12/002
297/487
9,499,176 B2 * 11/2016 Chedal Bornu B61B 12/002
2003/0136298 A1 * 7/2003 Albrich B61B 12/002
105/329.1
2010/0089276 A1 * 4/2010 Fischnaller B61B 12/002
297/232
2010/0089277 A1 * 4/2010 Osterle B61B 12/002
297/232
2010/0089280 A1 * 4/2010 Sutterluty B61B 12/002
297/232

(21) Appl. No.: **29/543,167**

FOREIGN PATENT DOCUMENTS

(22) Filed: **Oct. 21, 2015**

EP 1331151 A1 7/2003
FR 2854853 A1 11/2004
JP 2002238694 A1 8/2002

(30) **Foreign Application Priority Data**

* cited by examiner

Apr. 21, 2015 (EM) 002685933-0001

(51) **LOC (10) Cl.** **06-01**

Primary Examiner — Mimoso De

(52) **U.S. Cl.**
USPC **D6/716.1**

(74) *Attorney, Agent, or Firm* — Laurence A. Greenberg;
Werner H. Stemer; Ralph E. Locher

(58) **Field of Classification Search**
USPC D6/334, 335, 336, 347, 374, 375, 716,
D6/716.1, 716.2, 716.3, 716.4
CPC B61B 12/00; B61B 12/002; B61B 12/022;
B61B 11/00
See application file for complete search history.

(57) **CLAIM**

The ornamental design for a chair lift accessory, as shown and described.

(56) **References Cited**

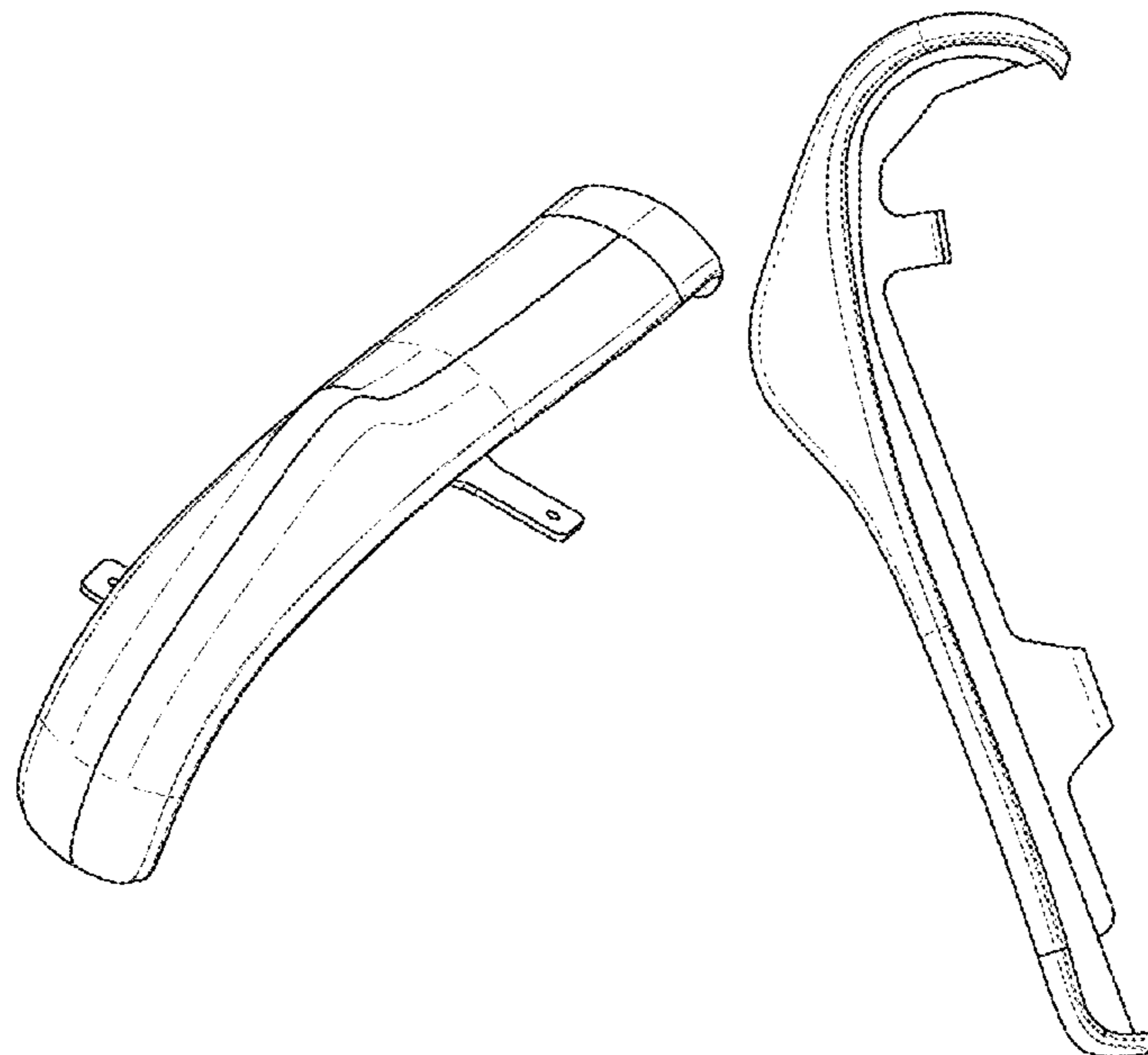
DESCRIPTION

U.S. PATENT DOCUMENTS

4,630,545 A * 12/1986 Michel B61B 12/002
297/184.11
4,784,065 A * 11/1988 Brochand B61B 12/002
104/173.2
6,691,624 B2 2/2004 Albrich
7,677,671 B2 3/2010 Steininger et al.
D634,568 S 3/2011 Fischnaller
8,051,778 B2 * 11/2011 Osterle B61B 12/002
297/232

FIG. 1 is a top perspective view of the chair lift accessory showing my new invention;
FIG. 2 is a top and side perspective view thereof;
FIG. 3 is an end elevational view thereof;
FIG. 4 is an end elevational view thereof;
FIG. 5 is a top plan view thereof;
FIG. 6 is a side elevational view thereof; and,
FIG. 7 is a bottom plan view thereof.

1 Claim, 7 Drawing Sheets



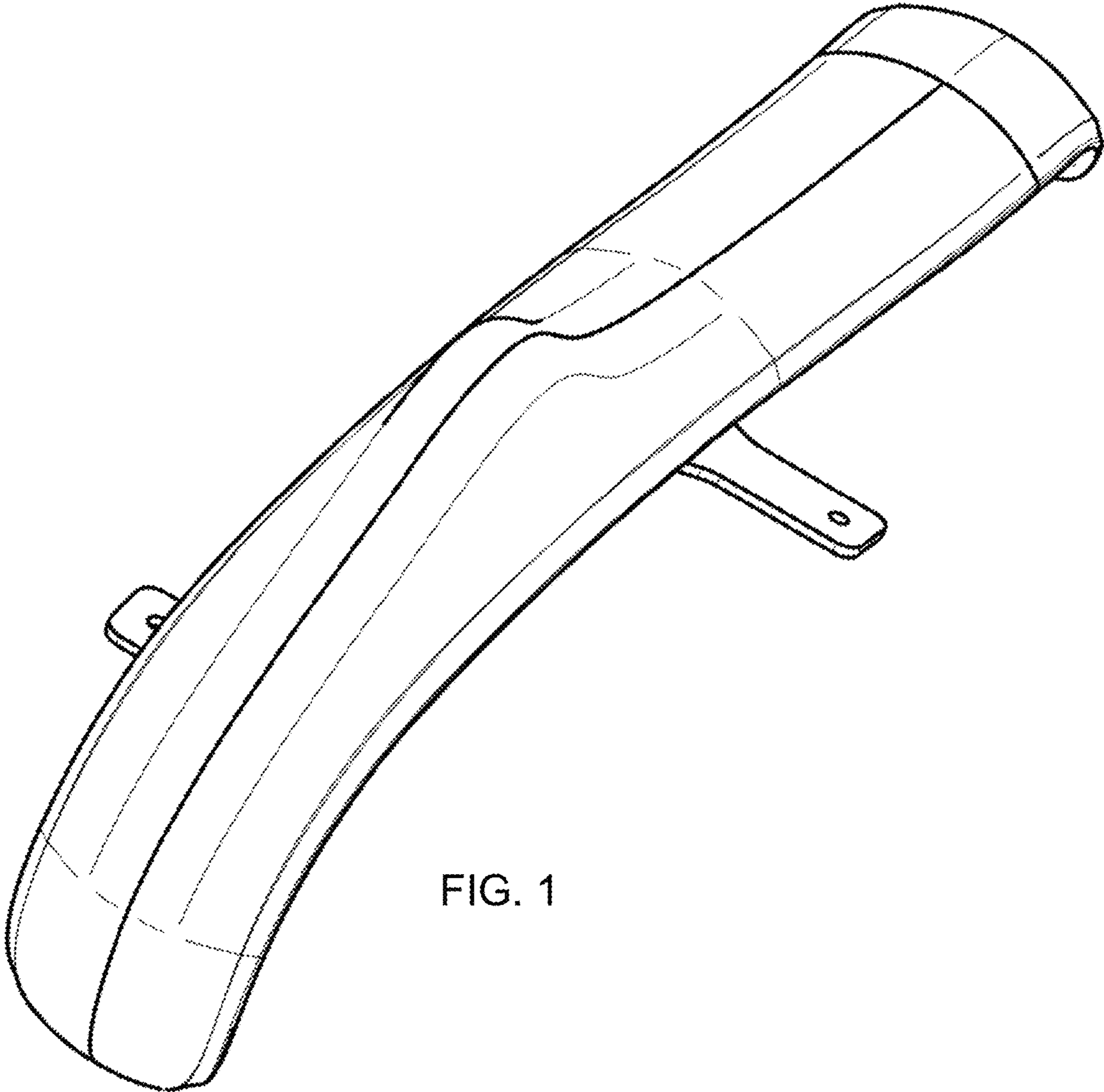


FIG. 1

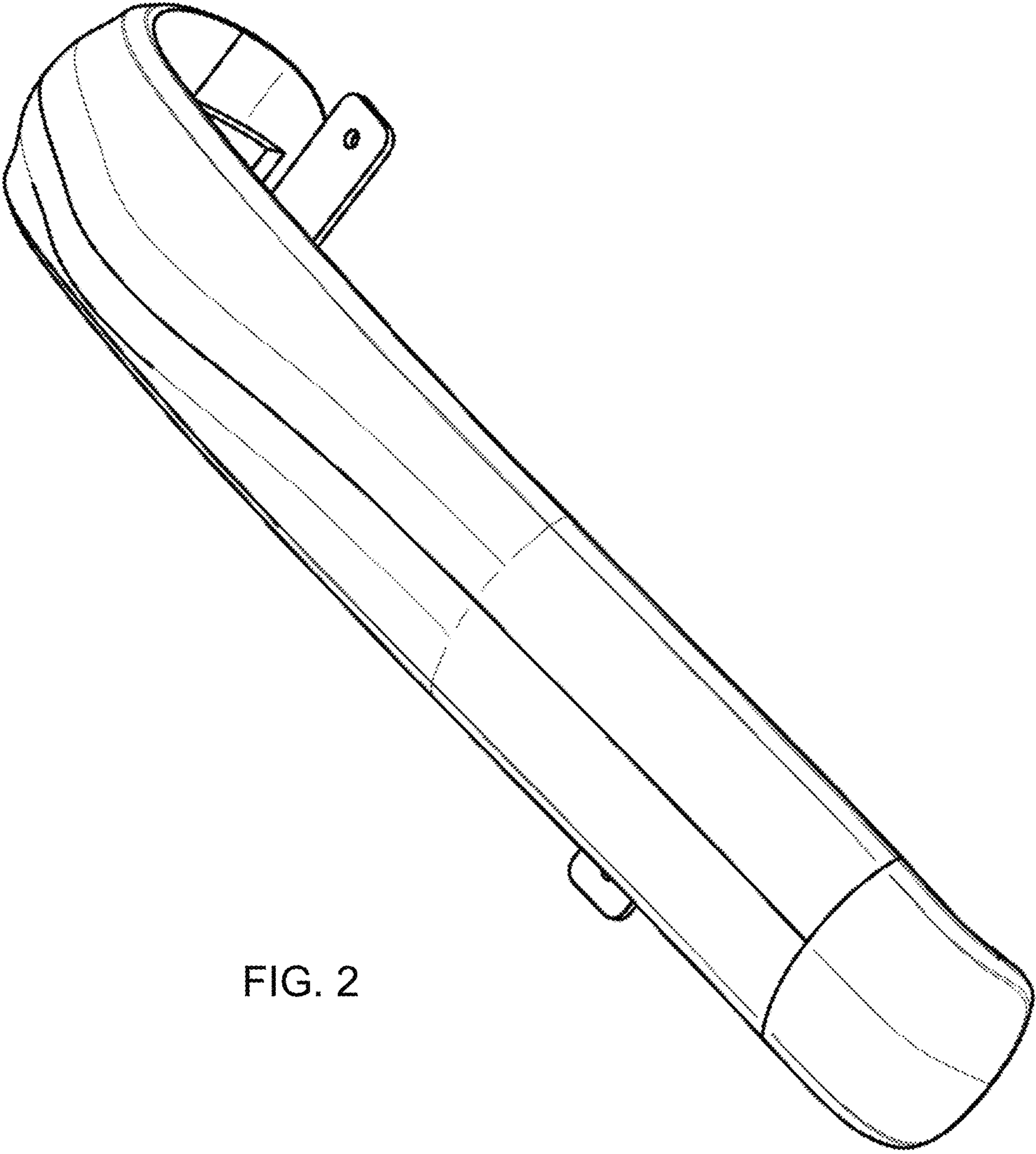


FIG. 2

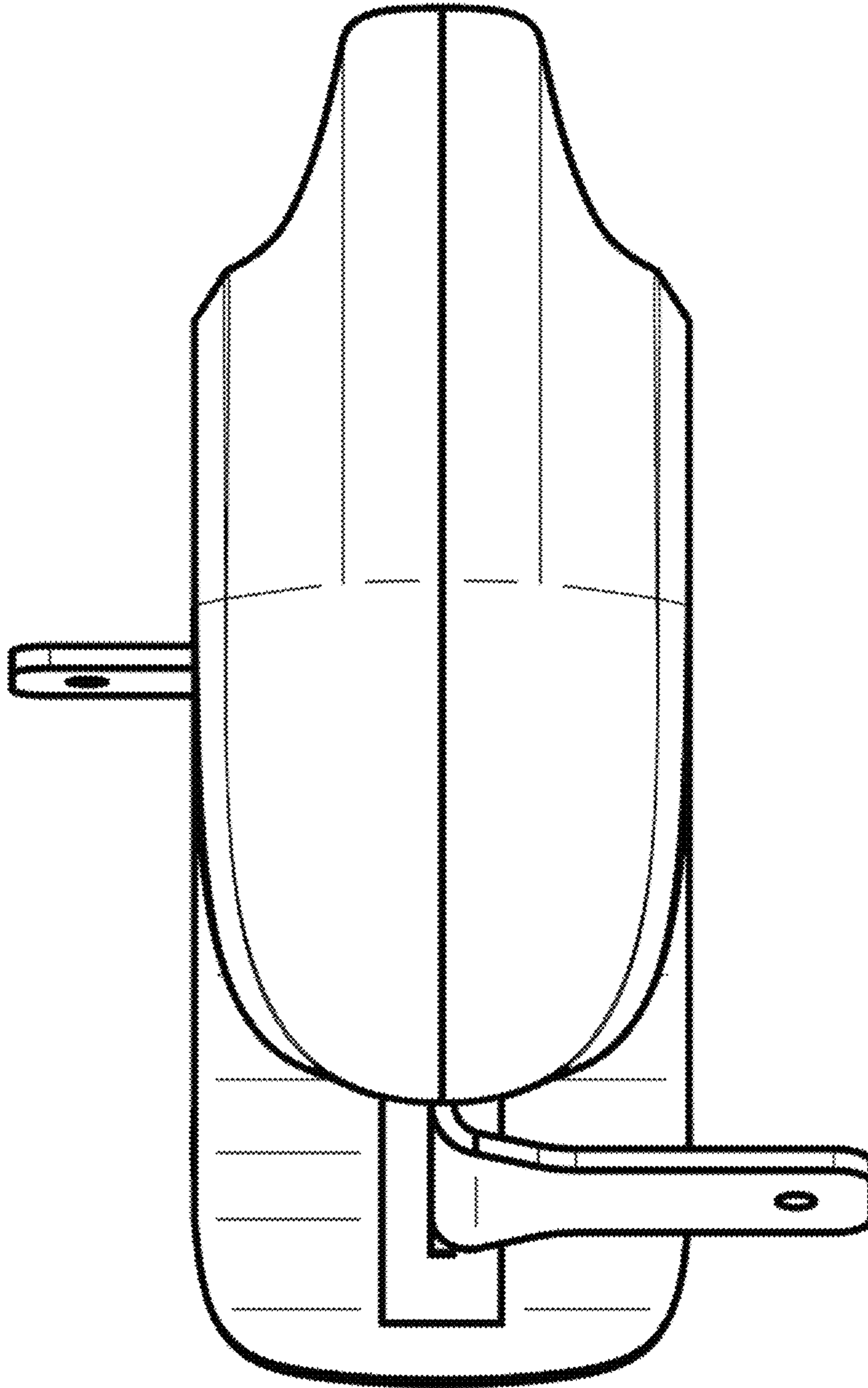


FIG. 3

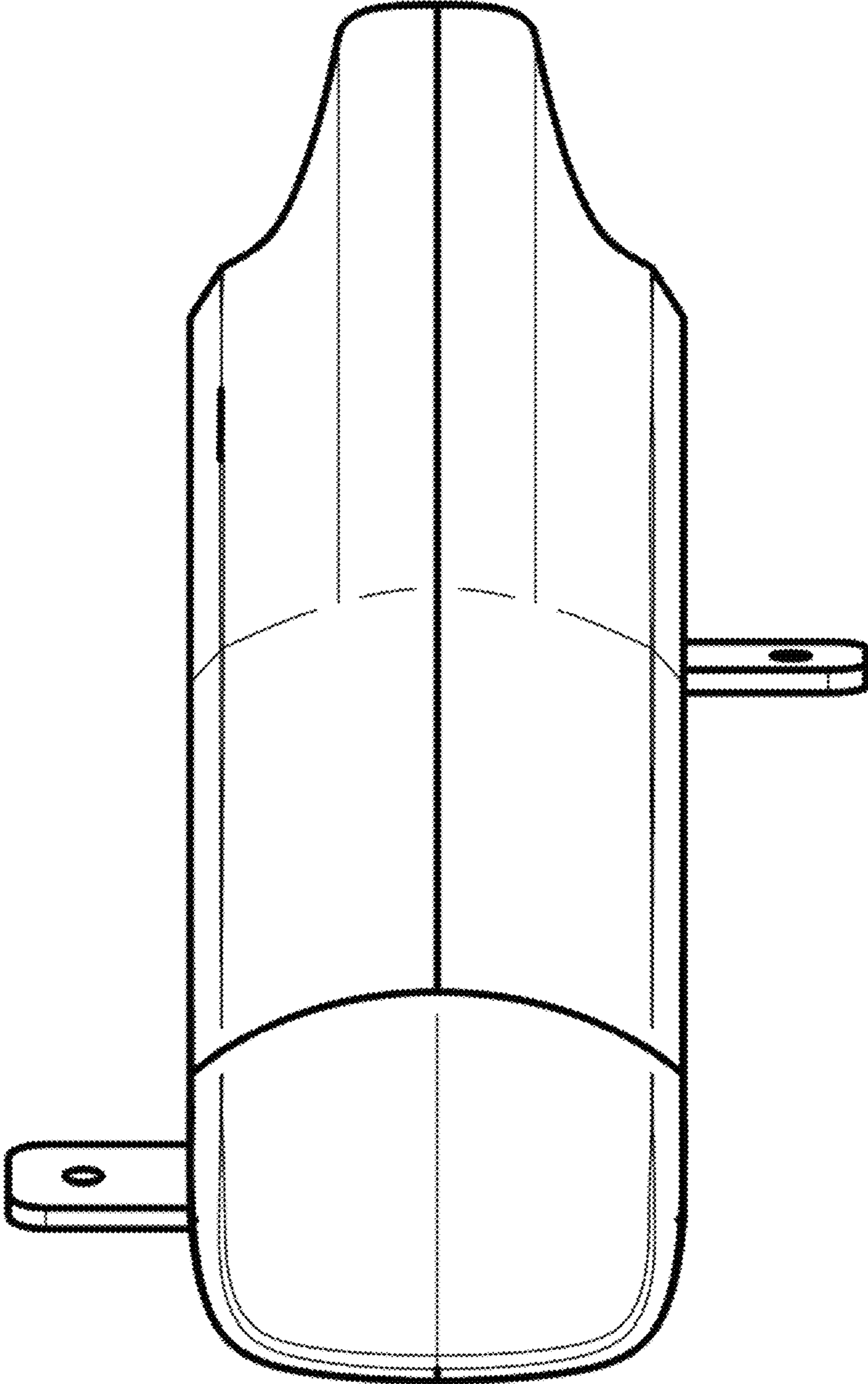
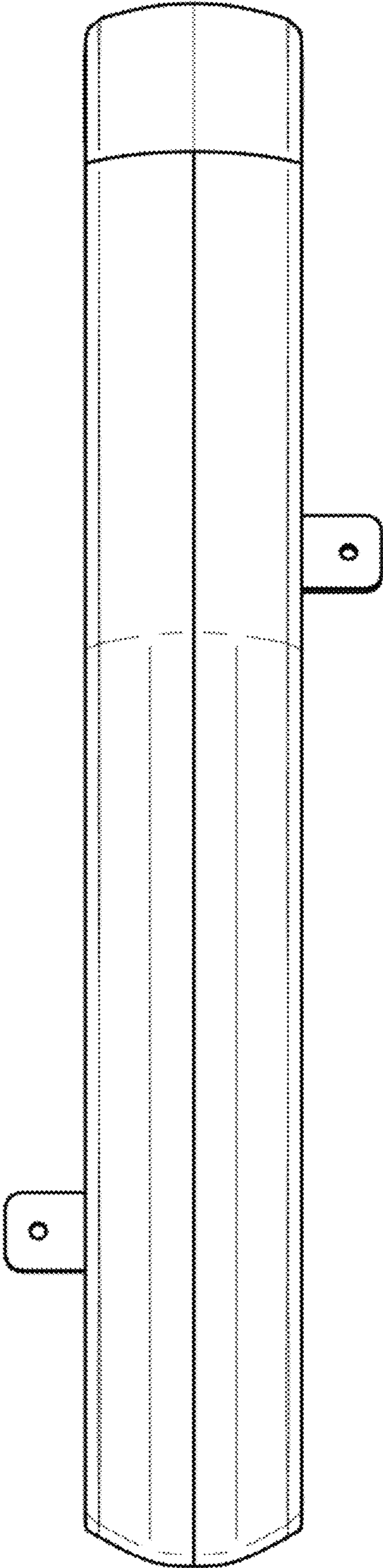


FIG. 4

FIG. 5



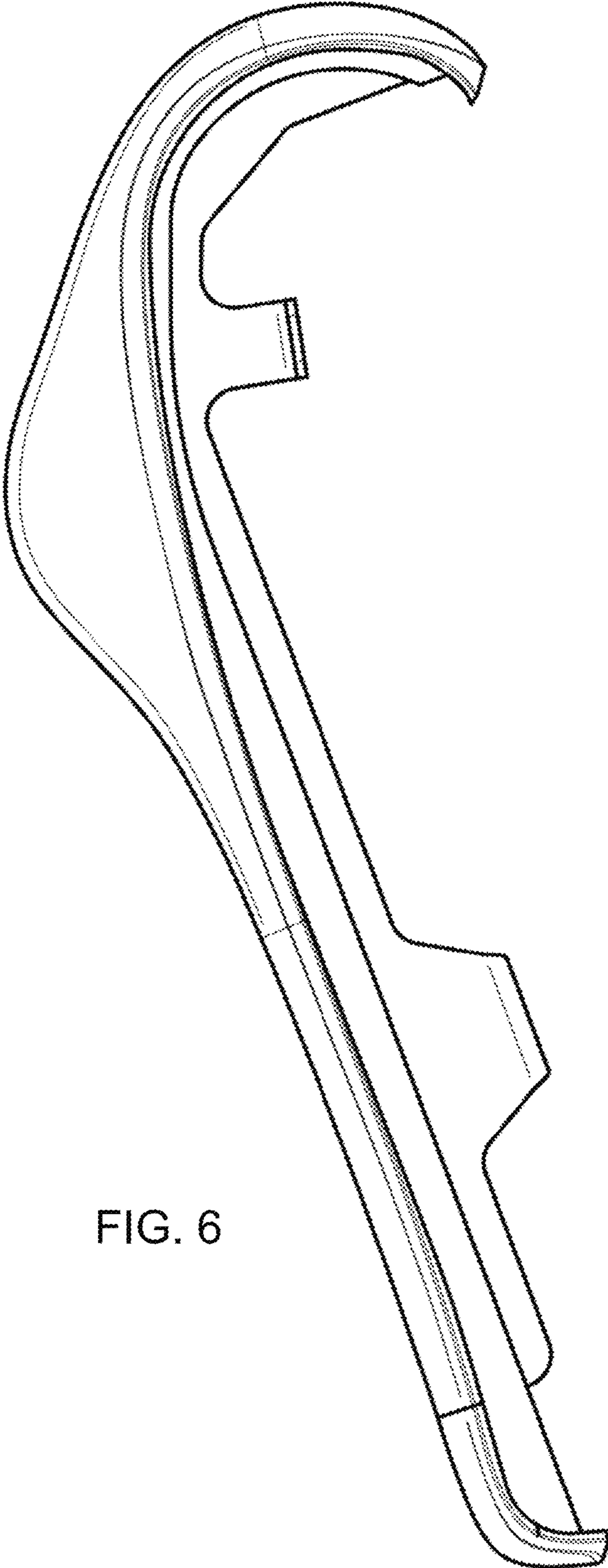


FIG. 6

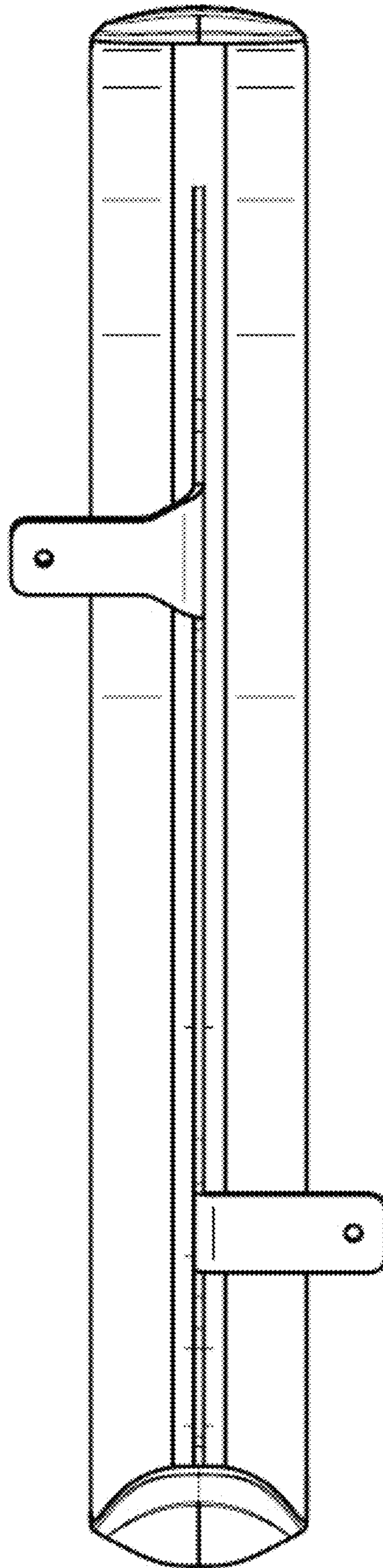


FIG. 7