



US00D778092S

(12) **United States Design Patent** (10) **Patent No.:** **US D778,092 S**
Volpe (45) **Date of Patent:** **** Feb. 7, 2017**

(54) **CHAIR**
(71) Applicant: **Kohler Interiors Furniture Company**,
Hickory, NC (US)
(72) Inventor: **Steven Volpe**, San Francisco, CA (US)
(73) Assignee: **KOHLER INTERIORS FURNITURE**
COMPANY, Hickory, NC (US)
(**) Term: **15 Years**
(21) Appl. No.: **29/564,845**
(22) Filed: **May 16, 2016**

D285,753 S 9/1986 Zola
4,674,799 A * 6/1987 Schwartz A47C 5/12
297/448.1
D294,436 S 3/1988 Colby
D296,848 S 7/1988 Colby
D298,787 S 12/1988 Greene
D314,474 S * 2/1991 Schwartz D6/370
D331,325 S 12/1992 Grosfillex
D337,446 S * 7/1993 Gibbs D6/370
D350,444 S 9/1994 Lowsky
D415,623 S * 10/1999 Lin D6/370
D420,826 S * 2/2000 Lin D6/370
D467,444 S 12/2002 Hess et al.
D606,329 S 12/2009 Van Duysen

* cited by examiner

Primary Examiner — Mimosa De
(74) *Attorney, Agent, or Firm* — Foley & Lardner LLP

Related U.S. Application Data

(62) Division of application No. 29/506,646, filed on Oct.
17, 2014, now Pat. No. Des. 766,606.
(51) **LOC (10) Cl.** **06-01**
(52) **U.S. Cl.**
USPC **D6/716**
(58) **Field of Classification Search**
USPC D6/334-336, 370, 371, 373, 374, 375,
D6/376, 379, 380, 716, 716.1, 716.2,
D6/716.3, 716.4
CPC A47C 3/03; A47C 4/02; A47C 4/03;
A47C 5/06; A47C 5/12; A47C
7/22; A47C 7/282; A47C 7/285
See application file for complete search history.

(57) **CLAIM**

I claim the ornamental design for a chair, as shown and
described.

DESCRIPTION

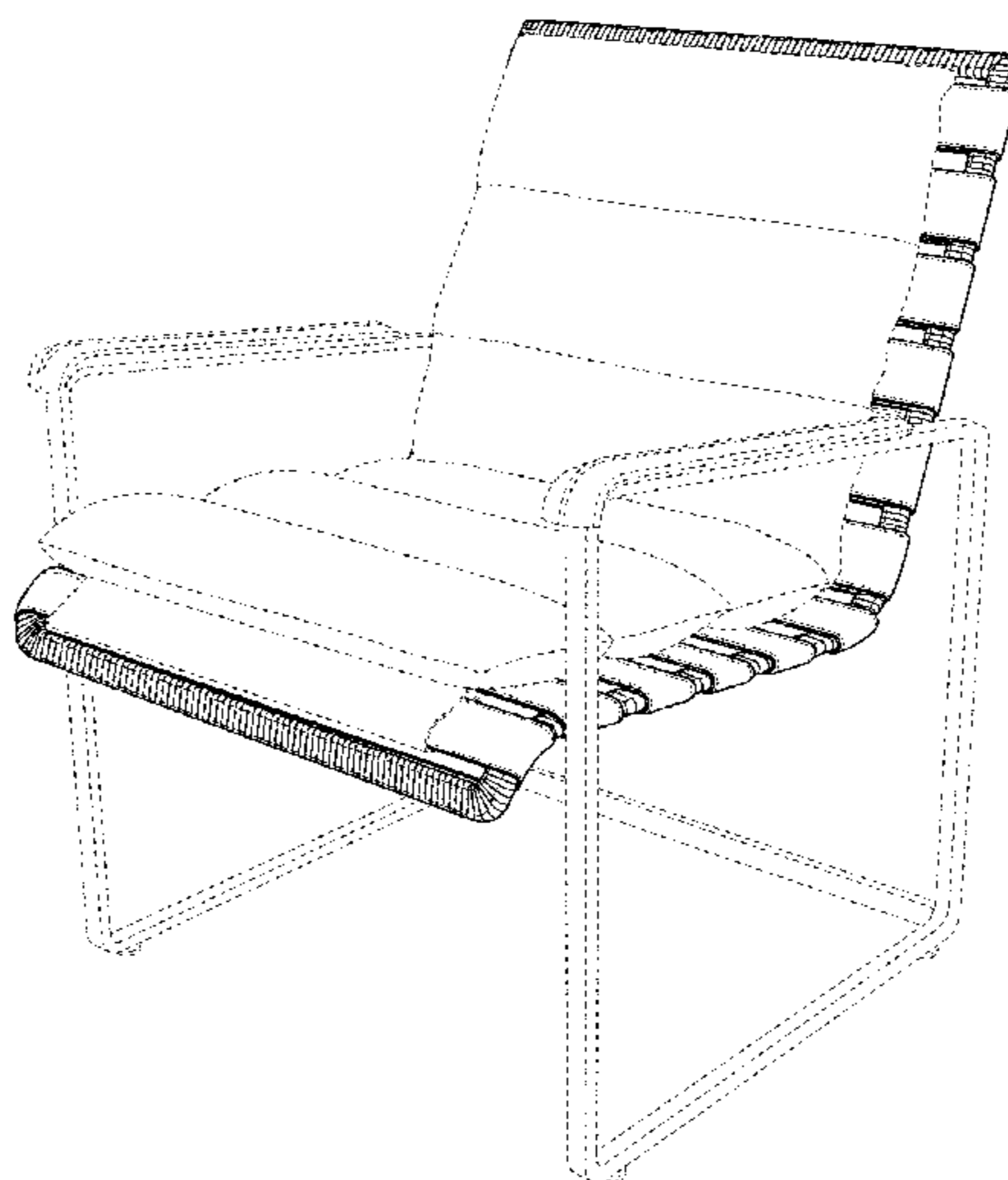
FIG. 1 is a top, front, right perspective view of an embodi-
ment of the claimed design;
FIG. 2 is a front elevation view thereof;
FIG. 3 is a rear elevation view thereof;
FIG. 4 is a left elevation view thereof, the right elevation
view being a mirror image thereof;
FIG. 5 is a top plan view thereof; and,
FIG. 6 is a bottom plan view thereof.
The ornamental design which is claimed is shown in solid
lines in the drawings. The broken lines in the drawings form
no part of the claimed design. Broken lines formed by equal
length dashes show unclaimed subject matter. Broken lines
formed of unequal length dashes (i.e., dash-dot) define
bounds of the claimed design.

(56) **References Cited**

U.S. PATENT DOCUMENTS

2,995,182 A * 8/1961 Hendrickson A47C 7/22
297/452.63
3,751,110 A * 8/1973 Shaw A47C 7/282
297/452.63
D239,890 S 5/1976 Uyeda
4,456,301 A * 6/1984 Apissomian A47C 7/22
297/440.11

1 Claim, 6 Drawing Sheets



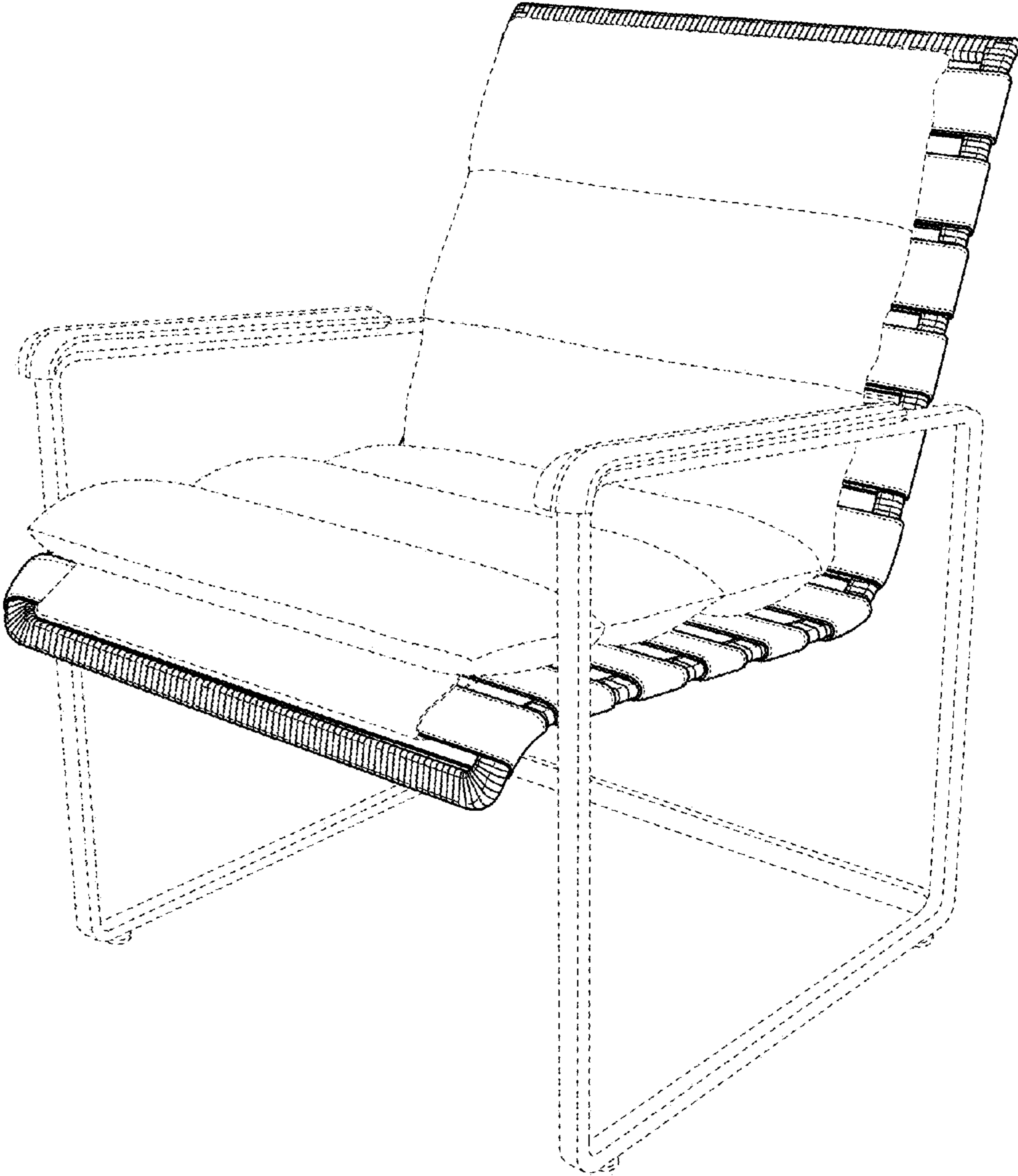


FIG. 1

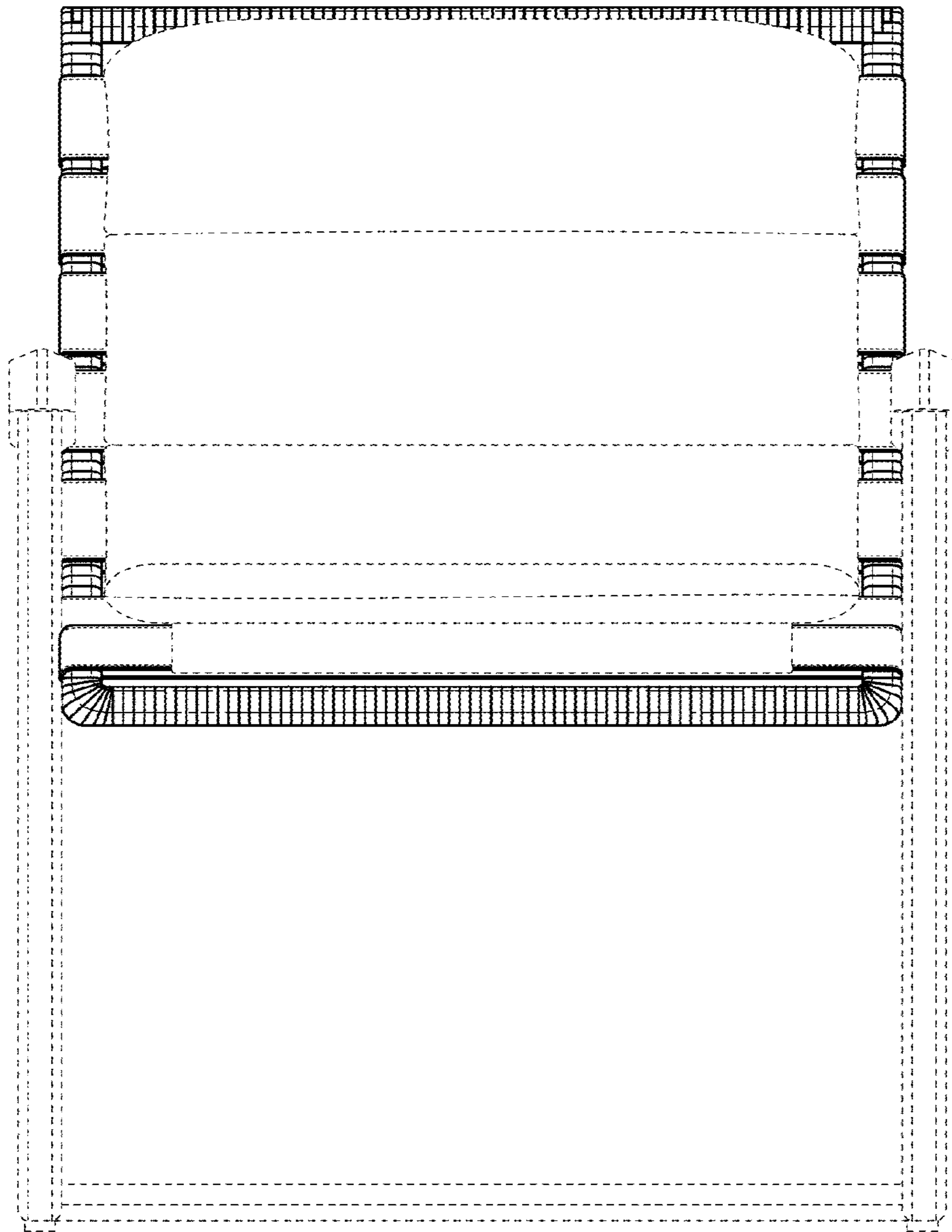


FIG. 2

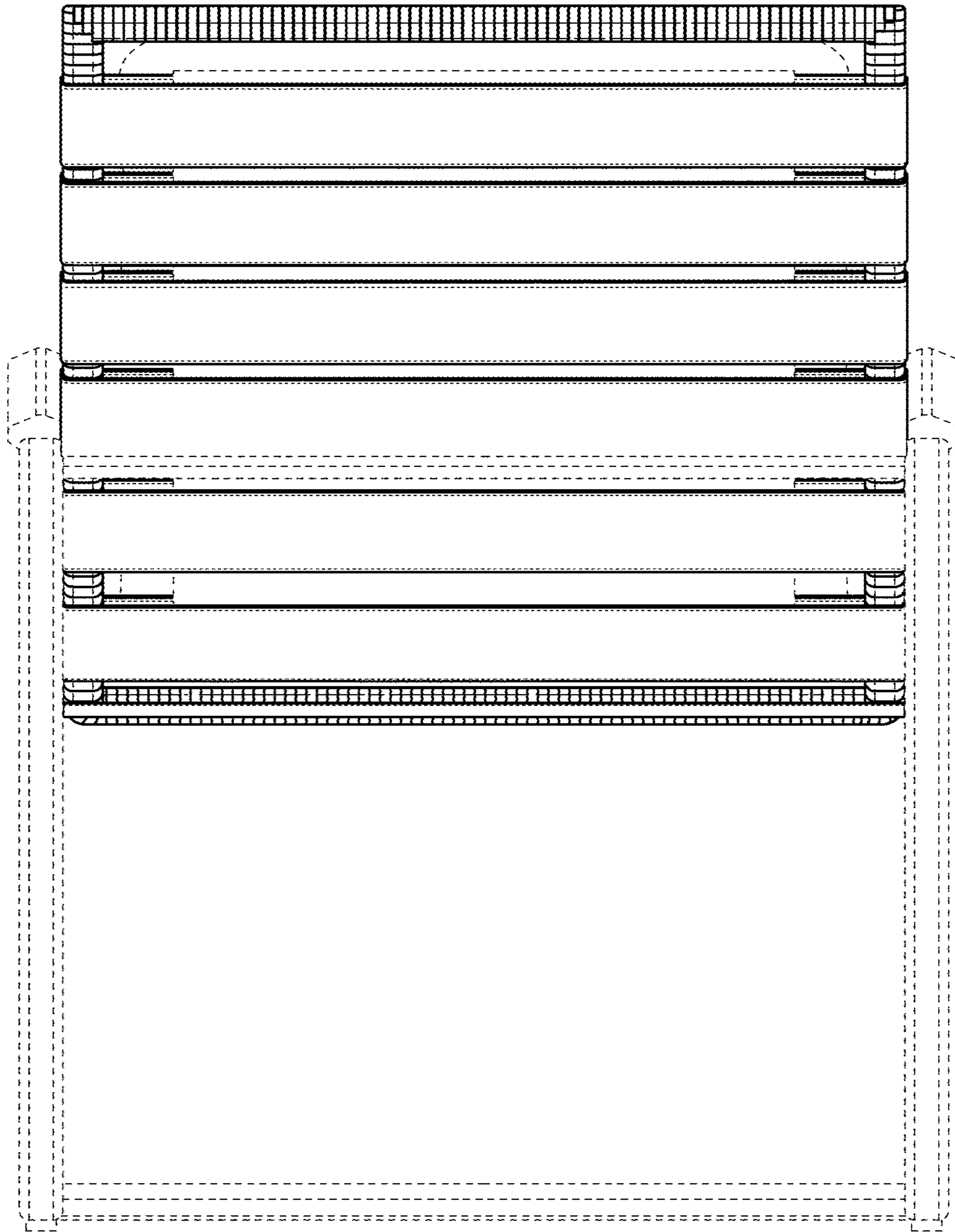


FIG. 3

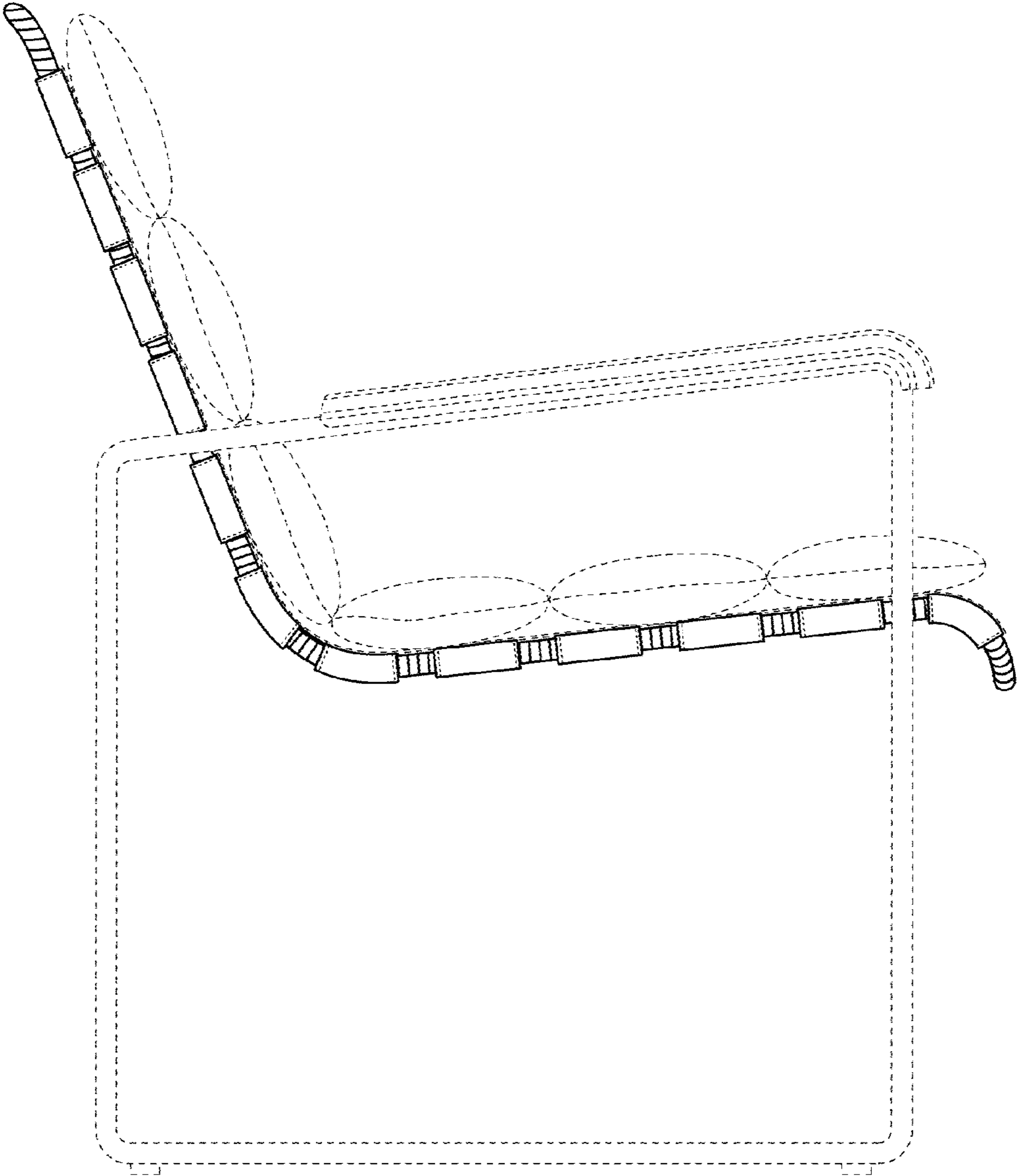


FIG. 4

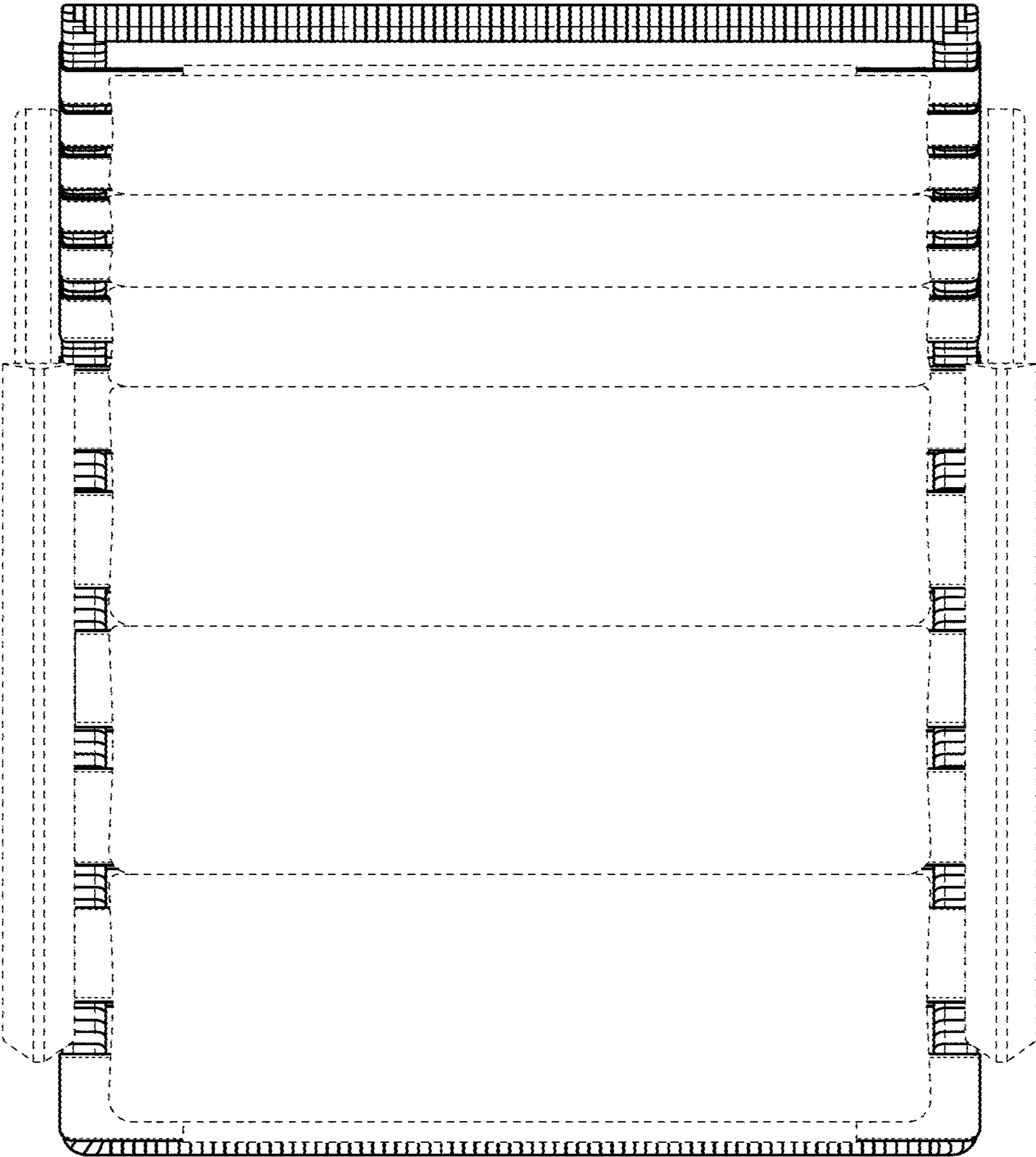


FIG. 5

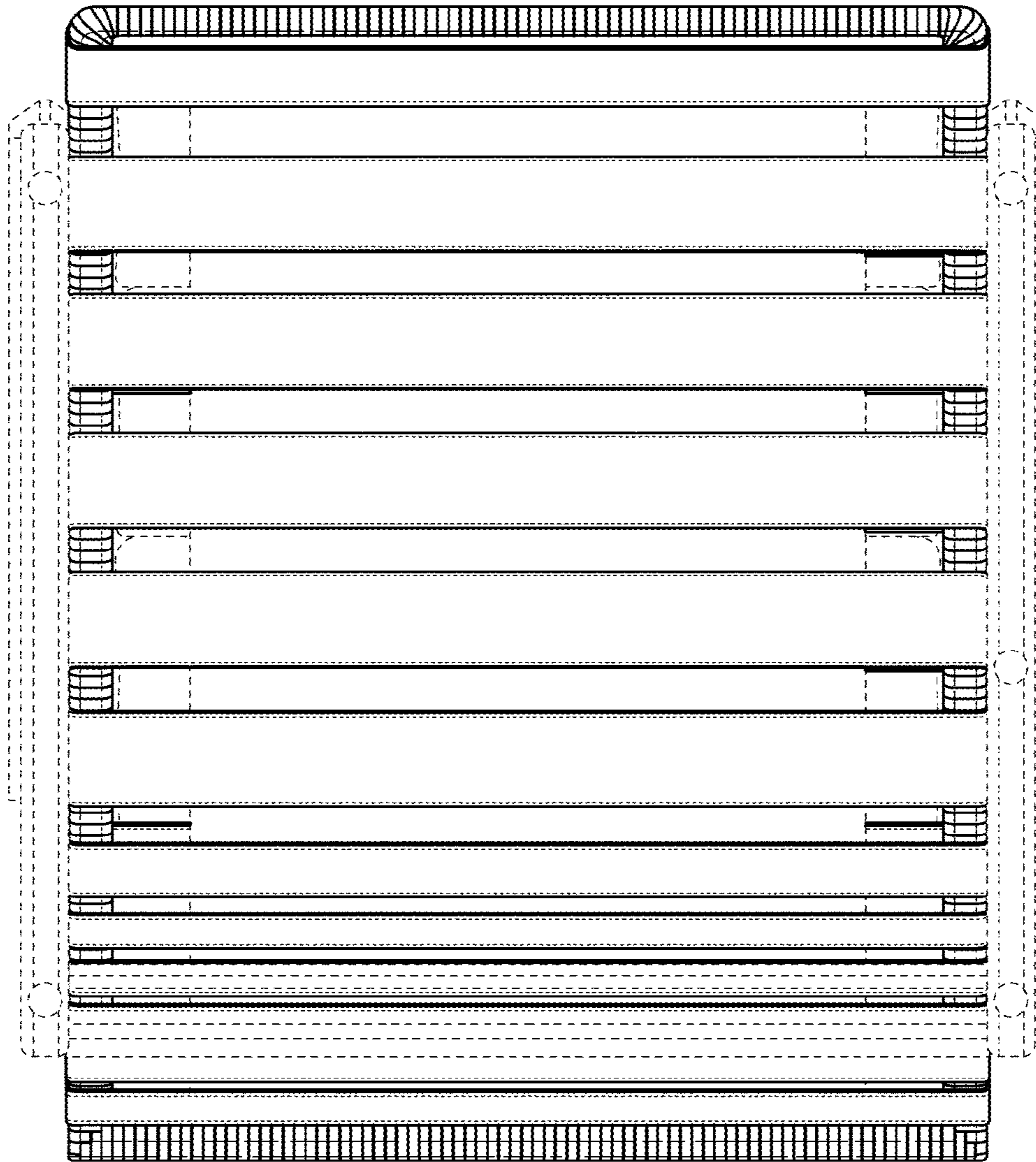


FIG. 6