



US00D778091S

(12) **United States Design Patent** (10) **Patent No.:** **US D778,091 S**  
**Koyen** (45) **Date of Patent:** **\*\* Feb. 7, 2017**

(54) **FURNITURE PART**

(71) Applicant: **Mintjens Group, N.V.**, Malle (BE)

(72) Inventor: **Gust Koyen**, Meerle (BE)

(73) Assignee: **Mintjens Group N.V.**, Malle (BE)

(\*\*) Term: **14 Years**

(21) Appl. No.: **29/519,302**

(22) Filed: **Mar. 4, 2015**

(30) **Foreign Application Priority Data**

Sep. 9, 2014 (EM) ..... 001420400-0003

(51) **LOC (10) Cl.** ..... **06-06**

(52) **U.S. Cl.**  
USPC ..... **D6/707.17**

(58) **Field of Classification Search**

USPC ..... D6/310, 312, 708, 708.22, 708.23,  
512,D6/707.19, 663, 664, 667, 671,  
671.1, 671.2,D6/655, 705.6, 657, 705,  
705.4, 702, 703,D6/703.3, 703.6, 675,  
675.2, 705.1; D34/19; D7/600.1, 600.4,  
704, 641; D8/300, 301, D8/315, 321, 382;  
D26/113, 138

CPC ..... A47B 9/04; A47B 17/04; A47B 67/00;  
A47B 67/04; A47B 88/04; A47B 88/00;  
A47B 88/0044; A47B 87/00; A47B 13/08;  
A47B 43/00; A47B 45/00; A47B 47/03;  
A47B 47/02; A47B 47/021; A47B 96/14;  
A47B 23/007; A47B 23/06; A47B  
2097/006; A47B 21/045; A45C  
2011/002; A47F 5/0018; A47F  
5/0031; A47F 5/01; F16B 7/00; F16B  
7/04; F16B 7/12; F16B 12/02; F16B  
12/04

See application file for complete search history.

(56) **References Cited**

U.S. PATENT DOCUMENTS

1,604,457 A \* 10/1926 Lowe ..... A47B 1/10  
384/19  
1,930,846 A \* 10/1933 Walter ..... A47B 1/05  
108/75  
2,068,743 A \* 1/1937 Green ..... A47B 1/10  
384/19

(Continued)

OTHER PUBLICATIONS

“Wood Table Slide-4-Leg or Unconnected Pedestal” Mar. 31, 2012,  
Van Dyke’s Restorers, site visited Oct. 3, 2016 <<http://www.vandykes.com/wood-table-slide-4-leg-or-unconnected-pedestal/p/204415/>>.\*

(Continued)

*Primary Examiner* — Kevin Rudzinski

*Assistant Examiner* — Paul Bohannon

(74) *Attorney, Agent, or Firm* — Kirschstein, Israel,  
Schiffmiller & Pieroni, P.C.

(57) **CLAIM**

The ornamental design for a furniture part, as shown and described.

**DESCRIPTION**

FIG. 1 is a top, front and right side, perspective view of a furniture part in a retracted position according to my new design.

FIG. 2 is a top plan view thereof.

FIG. 3 is a left side elevational view thereof, the opposite right side elevational view being a mirror image.

FIG. 4 is a rear elevational view thereof, the opposite front elevational view being a mirror image.

FIG. 5 is a bottom plan view thereof.

FIG. 6 is a top, front and right side, perspective view thereof in an extended position at a reduced scale; and,

(Continued)

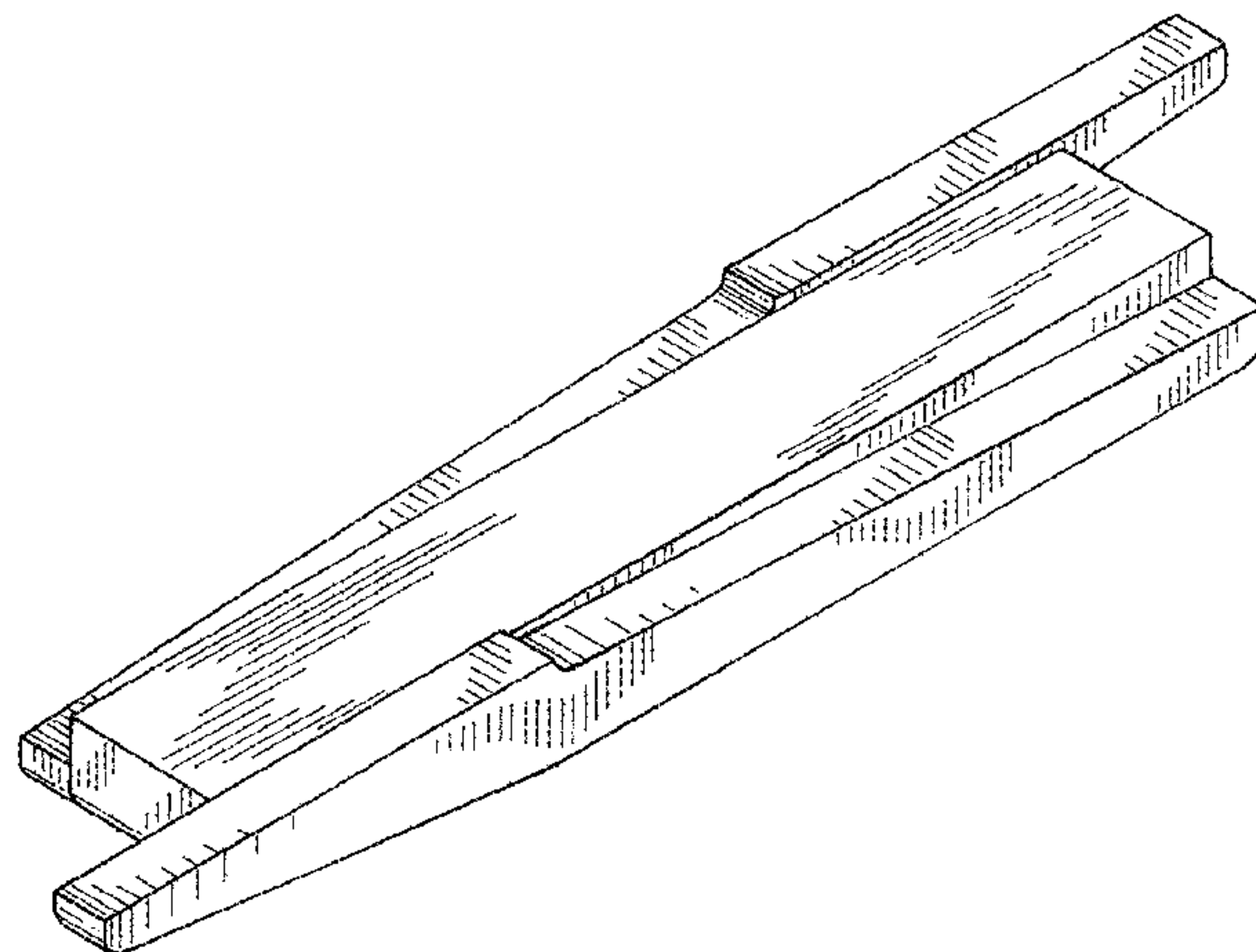


FIG. 7 is an exploded, top, front and right side, perspective view thereof.

The broken lines in FIG. 6 are for environmental purposes only and form no part of the claimed design.

**1 Claim, 4 Drawing Sheets**

(56)

**References Cited**

U.S. PATENT DOCUMENTS

2,750,242	A *	6/1956	Viehmann .....	A47B 1/08 108/26
3,332,373	A *	7/1967	Ruiz .....	A47B 1/04 108/134
3,362,357	A *	1/1968	Hoffert .....	A47B 1/10 108/83
3,419,317	A *	12/1968	Mutchnik .....	A47B 1/08 108/83
3,519,315	A *	7/1970	Campbell .....	A47B 1/02 384/17
3,637,268	A *	1/1972	Walter .....	A47B 1/10 108/83

3,751,126	A *	8/1973	Hudson .....	A47B 88/08 312/334.44
3,876,263	A *	4/1975	Oleksiak .....	A47B 1/10 108/83
4,301,744	A *	11/1981	Walter .....	A47B 1/03 108/77
4,606,279	A *	8/1986	Tucker .....	A47B 1/04 108/77
D314,480	S *	2/1991	Hardy .....	D6/705.4
D323,592	S *	2/1992	Masacek .....	D6/708
5,248,202	A *	9/1993	Kawasugi .....	F16C 29/008 384/45
5,381,738	A *	1/1995	Meyer .....	A47B 5/00 108/108
5,920,958	A *	7/1999	Domenig .....	E05D 7/0423 16/237
D661,924	S *	6/2012	Sprinkle .....	D6/708

OTHER PUBLICATIONS

“Equalizer Slides-Select Wood Size” Nov. 24, 2008, Rockler Woodworking and Hardware, site visited Oct. 13, 2016 <<http://www.rockler.com/equalizer-slides-select-wood-size#turnto-reviews-content>>.\*

\* cited by examiner

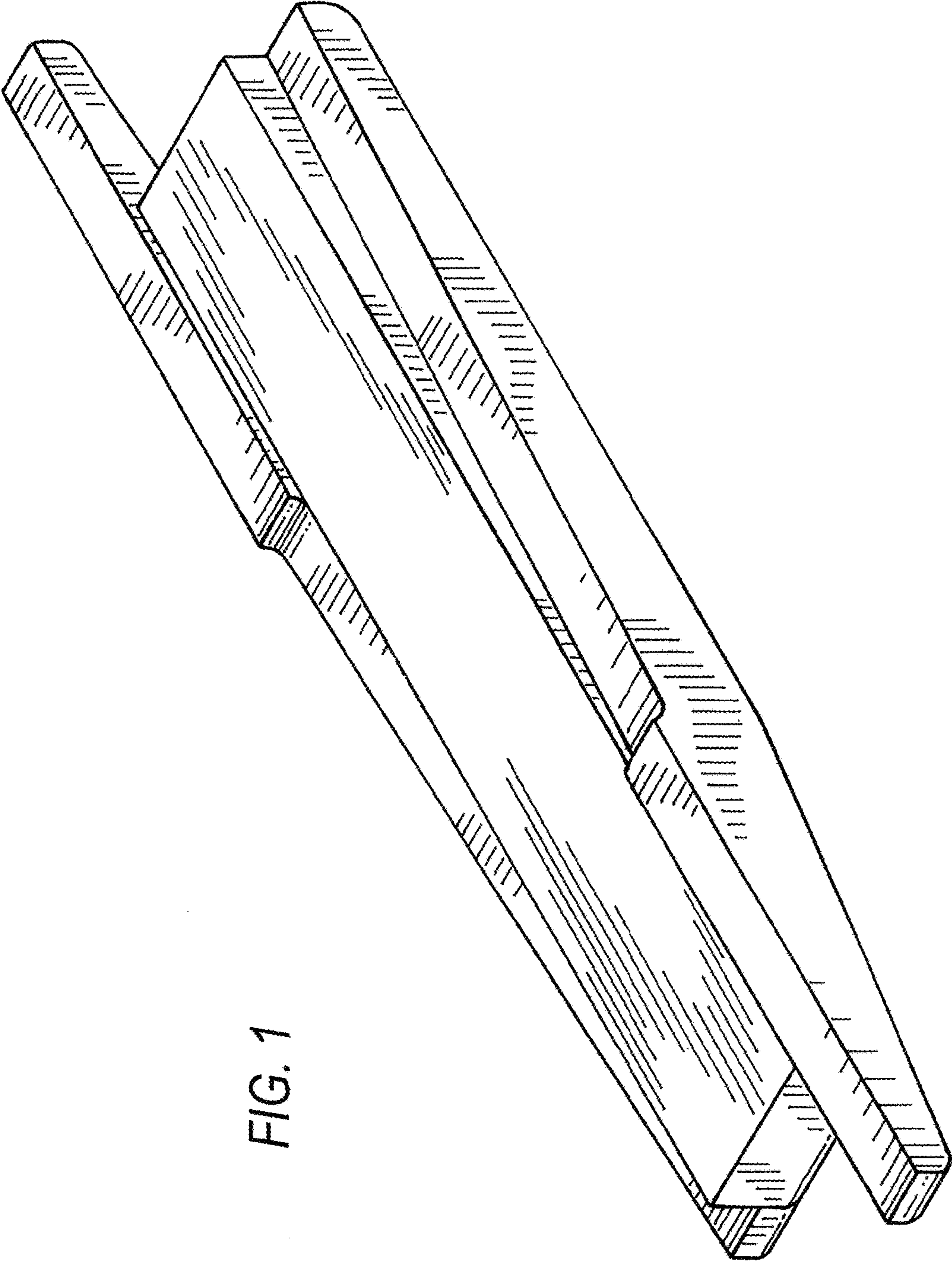


FIG. 1



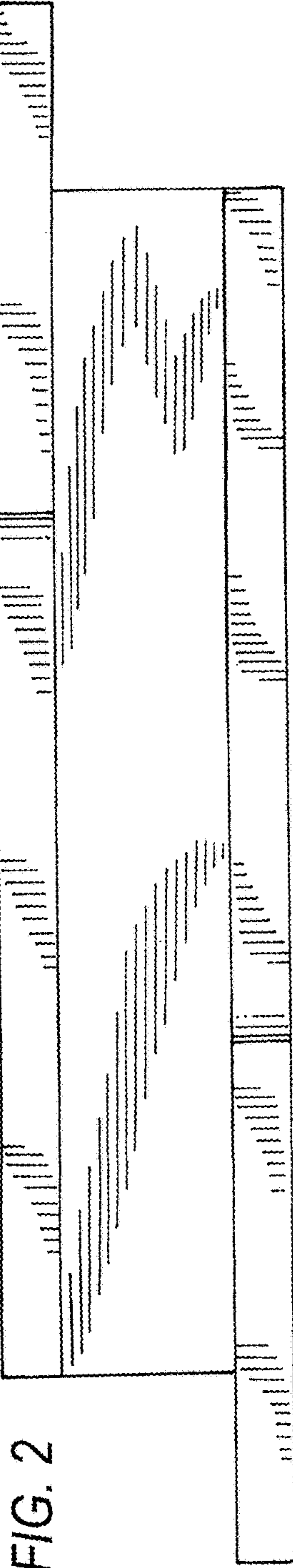


FIG. 2

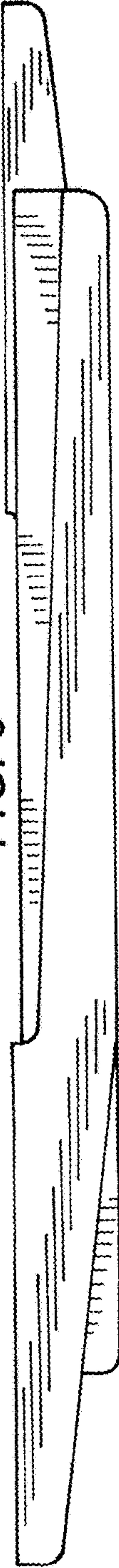


FIG. 3

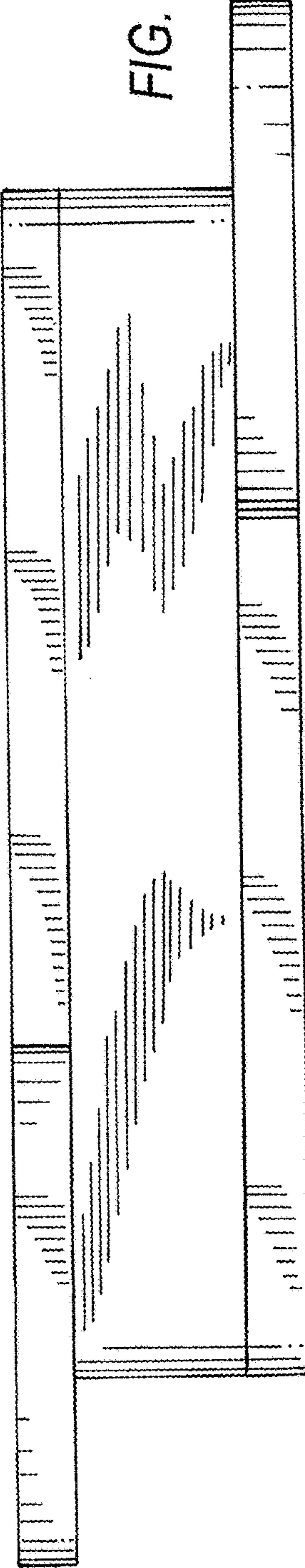


FIG. 5



FIG. 4

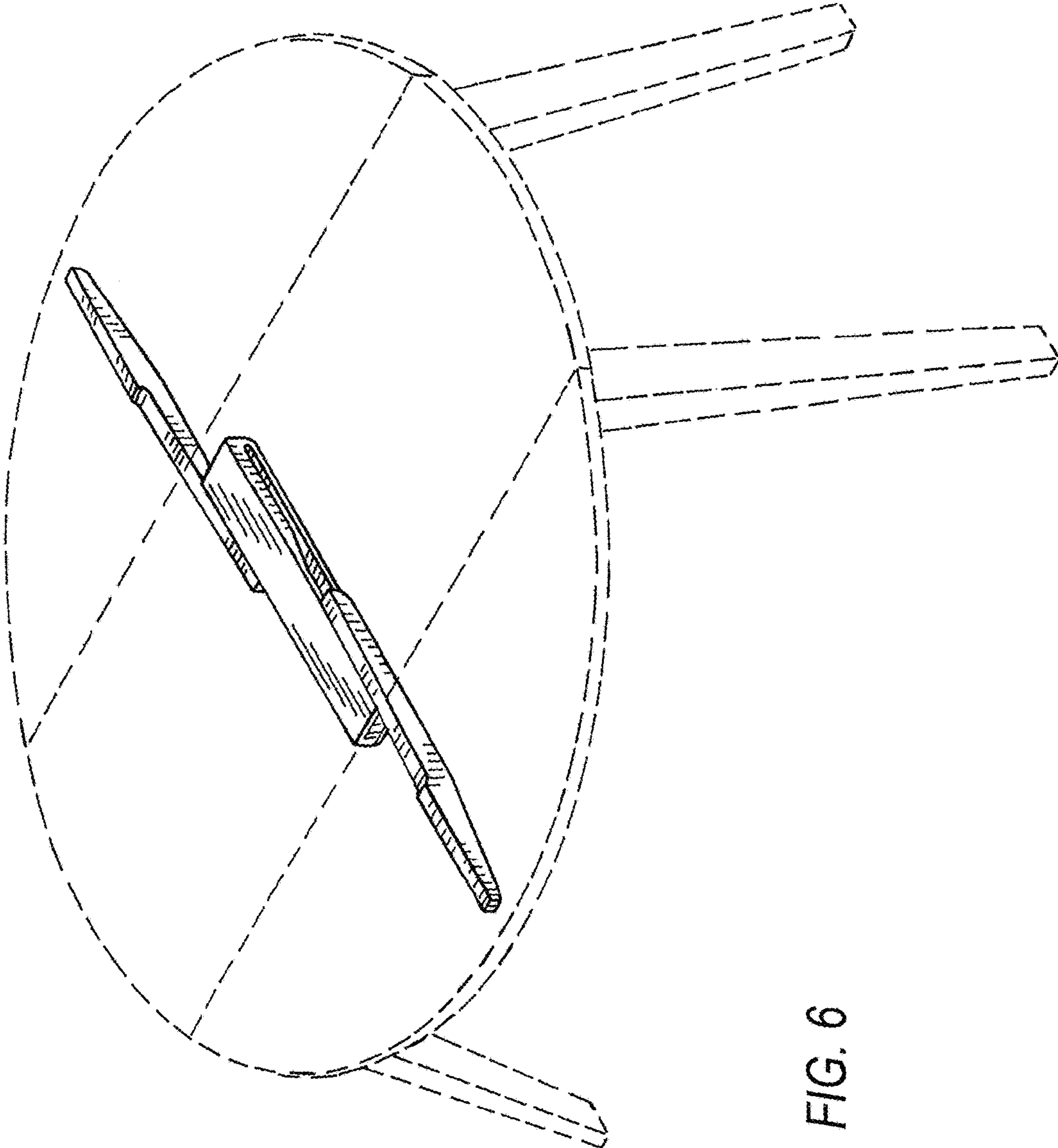


FIG. 6

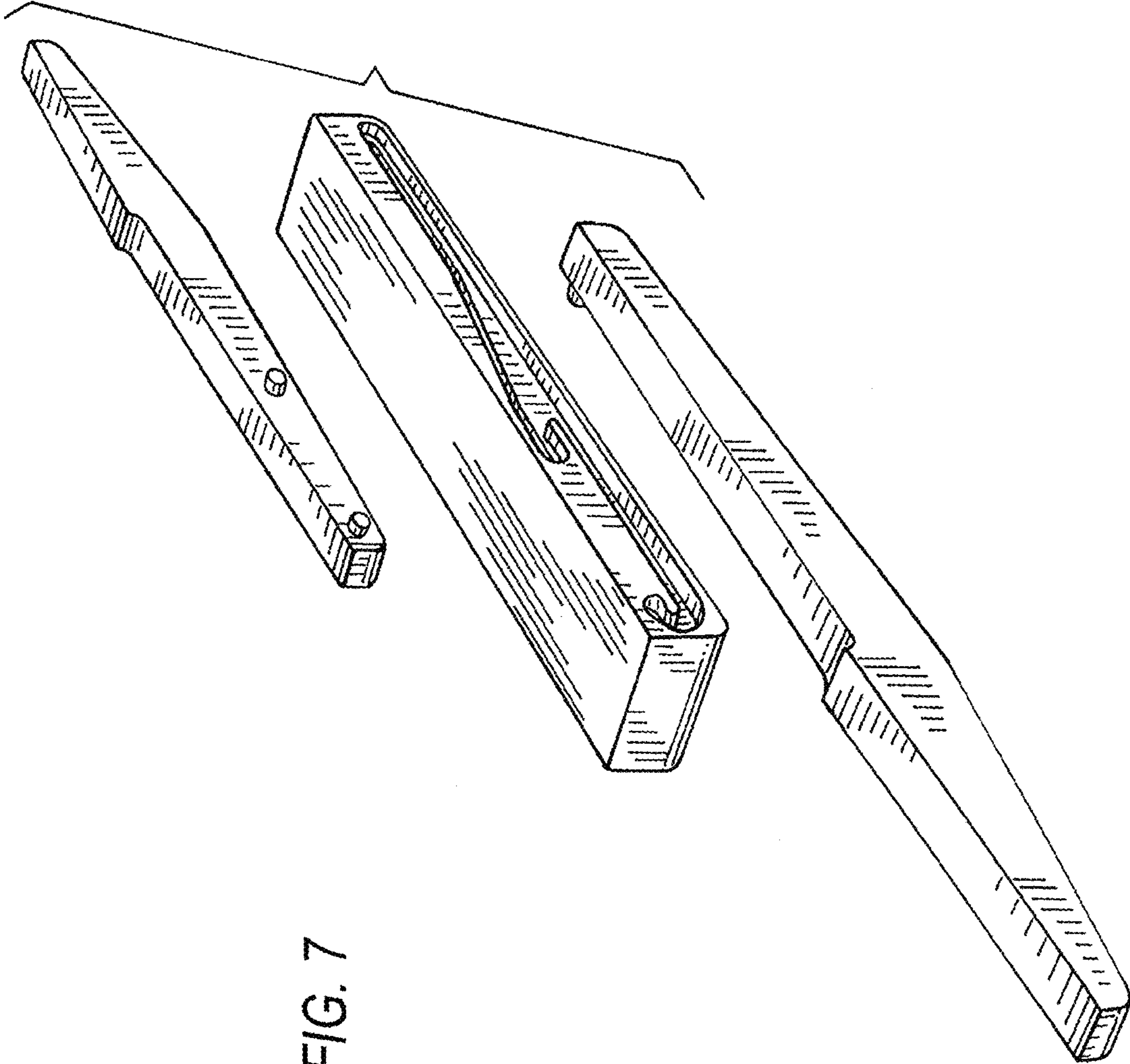


FIG. 7