



US00D778089S

(12) **United States Design Patent**  
**Hiyoshi et al.**

(10) **Patent No.:** **US D778,089 S**

(45) **Date of Patent:** **\*\* Feb. 7, 2017**

- (54) **TABLE**
- (71) Applicant: **Steelcase Inc.**, Grand Rapids, MI (US)
- (72) Inventors: **Yuka Hiyoshi**, Grand Rapids, MI (US);  
**Mark McKenna**, East Grand Rapids,  
MI (US); **Joseph Iacovoni**, Caledonia,  
MI (US)
- (73) Assignee: **Steelcase Inc.**, Grand Rapids, MI (US)
- (\*\*) Term: **15 Years**
- (21) Appl. No.: **29/565,313**
- (22) Filed: **May 19, 2016**
- (51) **LOC (10) Cl.** ..... **06-04**
- (52) **U.S. Cl.**  
USPC ..... **D6/691**
- (58) **Field of Classification Search**  
USPC ..... D6/691, 691.1, 691.3, 657, 691.8, 693.1,  
D6/695.6, 696.3, 707.15, 335, 655.1,  
D6/654.1; 108/11  
CPC ..... A47B 7/00; A47B 13/00; A47B 13/02;  
A47B 13/04; A47B 13/06; A47B 13/08;  
A47B 2200/001; A47B 2200/11; A47B  
9/00; A47B 9/005  
See application file for complete search history.

(56) **References Cited**

**U.S. PATENT DOCUMENTS**

D132,947 S	7/1942	Banks	
D178,783 S	* 9/1956	King	D6/686
D135,544 S	6/1959	Frey	
D249,857 S	10/1978	Adkinson	
D278,577 S	4/1985	Gwathmey et al.	
D286,598 S	* 11/1986	Berry, Jr.	D6/707.15
D290,913 S	7/1987	Righter	

D301,414 S	6/1989	Maltese	
D431,737 S	10/2000	Veeley et al.	
D450,492 S	11/2001	Sabo et al.	
D452,624 S	1/2002	de Blois	
D463,681 S	10/2002	Andersen et al.	
D465,348 S	11/2002	Lucatello	
D473,404 S	4/2003	de Blois	
D486,015 S	2/2004	de Blois	
D519,299 S	4/2006	Boudreau	
D520,779 S	5/2006	DeBlois	
D529,314 S	10/2006	Tako	
D534,379 S	1/2007	Juneau	
D538,061 S	* 3/2007	Daniel	D6/691.9
D551,465 S	9/2007	Daniel	
D580,201 S	* 11/2008	Davis	D6/707.15
D591,539 S	5/2009	Bracher	
D599,577 S	9/2009	Lara	
D604,064 S	11/2009	Garbin	
D615,785 S	* 5/2010	Goldberg	D6/707.15
D618,016 S	6/2010	Metcalf et al.	
D659,434 S	* 5/2012	Sofield	D6/691.8
D661,142 S	6/2012	Cox et al.	
D666,027 S	8/2012	Behnisch	

(Continued)

*Primary Examiner* — Robin V Webster

*Assistant Examiner* — James Thorn, Sr.

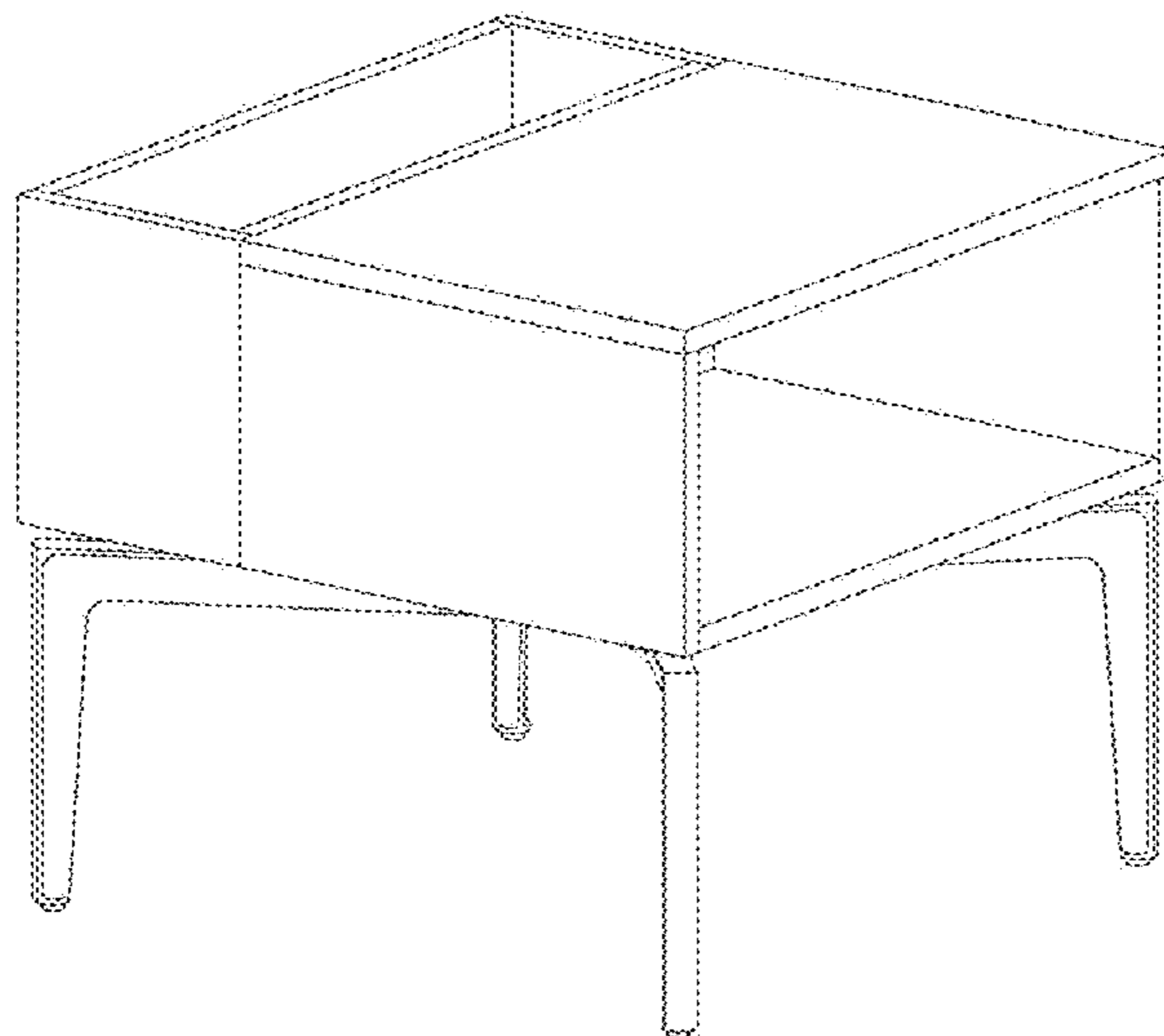
(57) **CLAIM**

The ornamental design for a table, as shown and described.

**DESCRIPTION**

FIG. 1 is a front perspective view of a table;  
 FIG. 2 is a bottom perspective view of the table of FIG. 1;  
 FIG. 3 is a front view of the table of FIG. 1;  
 FIG. 4 is a rear view of the table of FIG. 1;  
 FIG. 5 is a left side view of the table of FIG. 1;  
 FIG. 6 is a right side view of the table of FIG. 1;  
 FIG. 7 is a top view of the table of FIG. 1; and  
 FIG. 8 is a bottom view of the table of FIG. 1.

**1 Claim, 8 Drawing Sheets**



(56)

**References Cited**

U.S. PATENT DOCUMENTS

D666,845 S \* 9/2012 Lievore ..... D6/691  
D666,846 S \* 9/2012 Vizzaccaro Arcudia ... D6/691.8  
D675,462 S \* 2/2013 Petrovich ..... D6/691.8  
D690,142 S 9/2013 Arko et al.  
D693,612 S 11/2013 Arko et al.  
D721,907 S 2/2015 Boll-Wilson et al.  
D721,908 S 2/2015 Hughes et al.  
D725,639 S 3/2015 Kim  
D741,628 S 10/2015 Held et al.  
D757,464 S \* 5/2016 Chiang ..... D6/642  
2013/0092059 A1 \* 4/2013 Brutter ..... E04H 9/02  
108/11  
2015/0083870 A1 \* 3/2015 Steelman ..... F16B 12/44  
248/121

\* cited by examiner

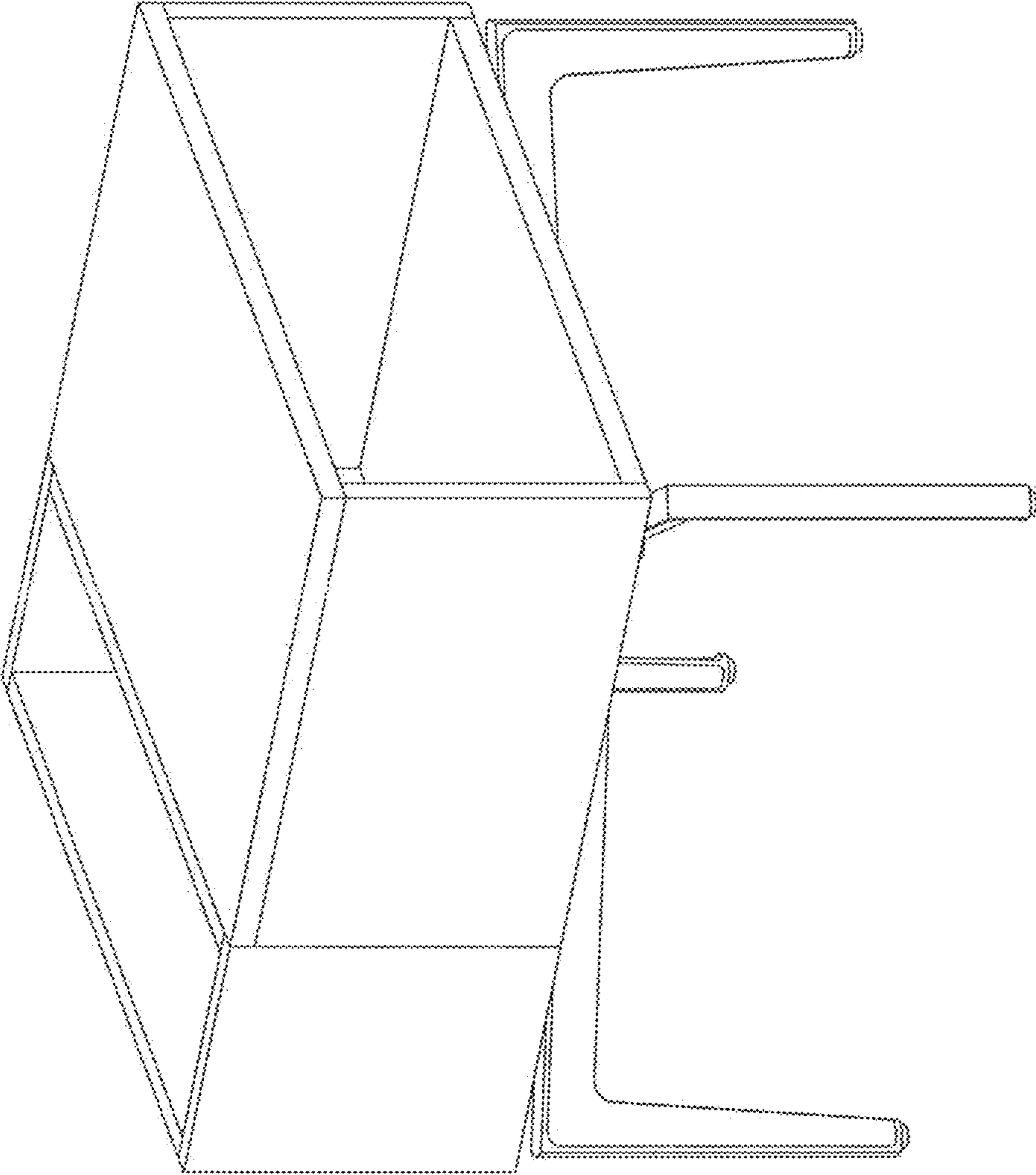


FIG. 1

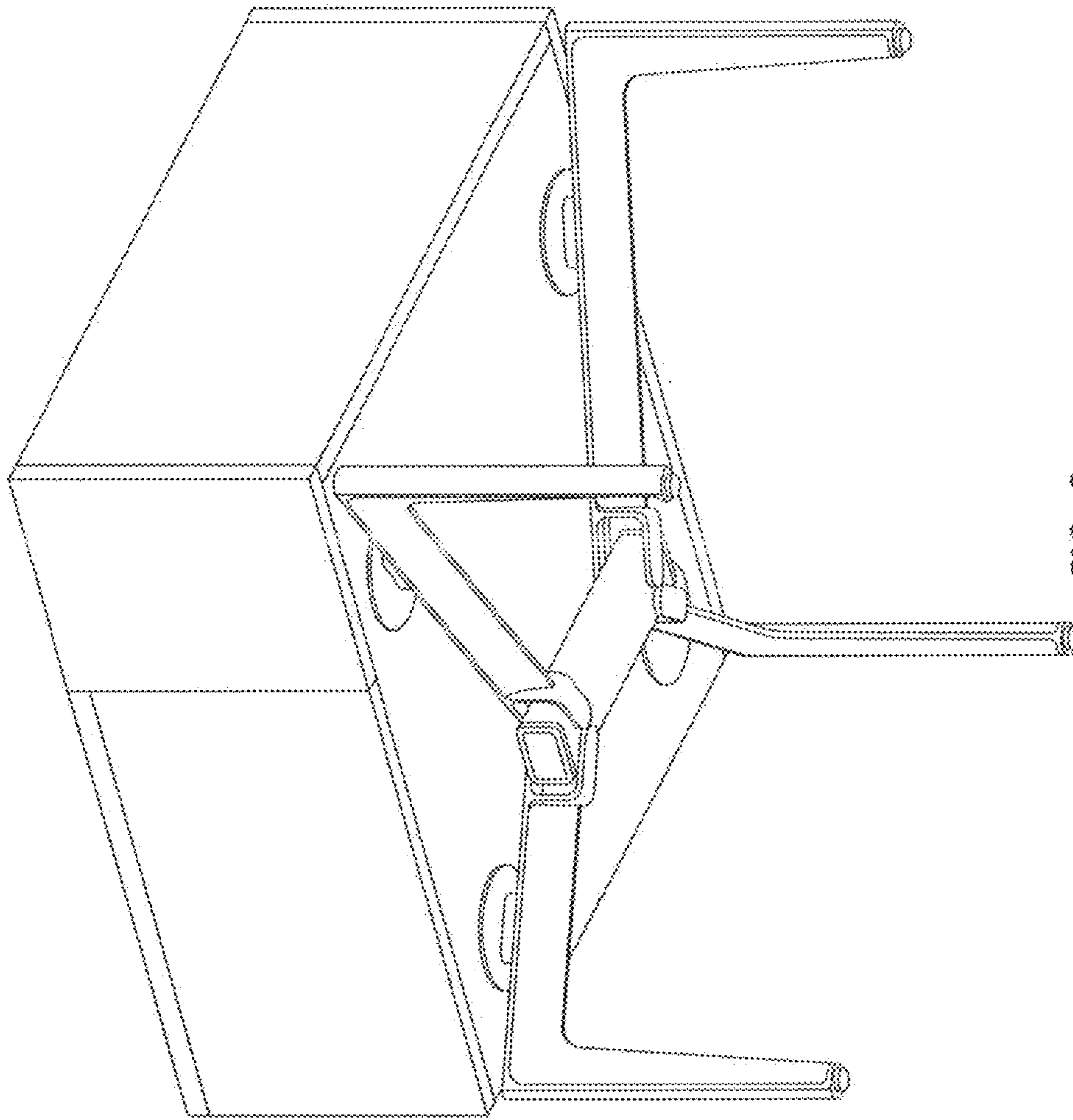


FIG. 2

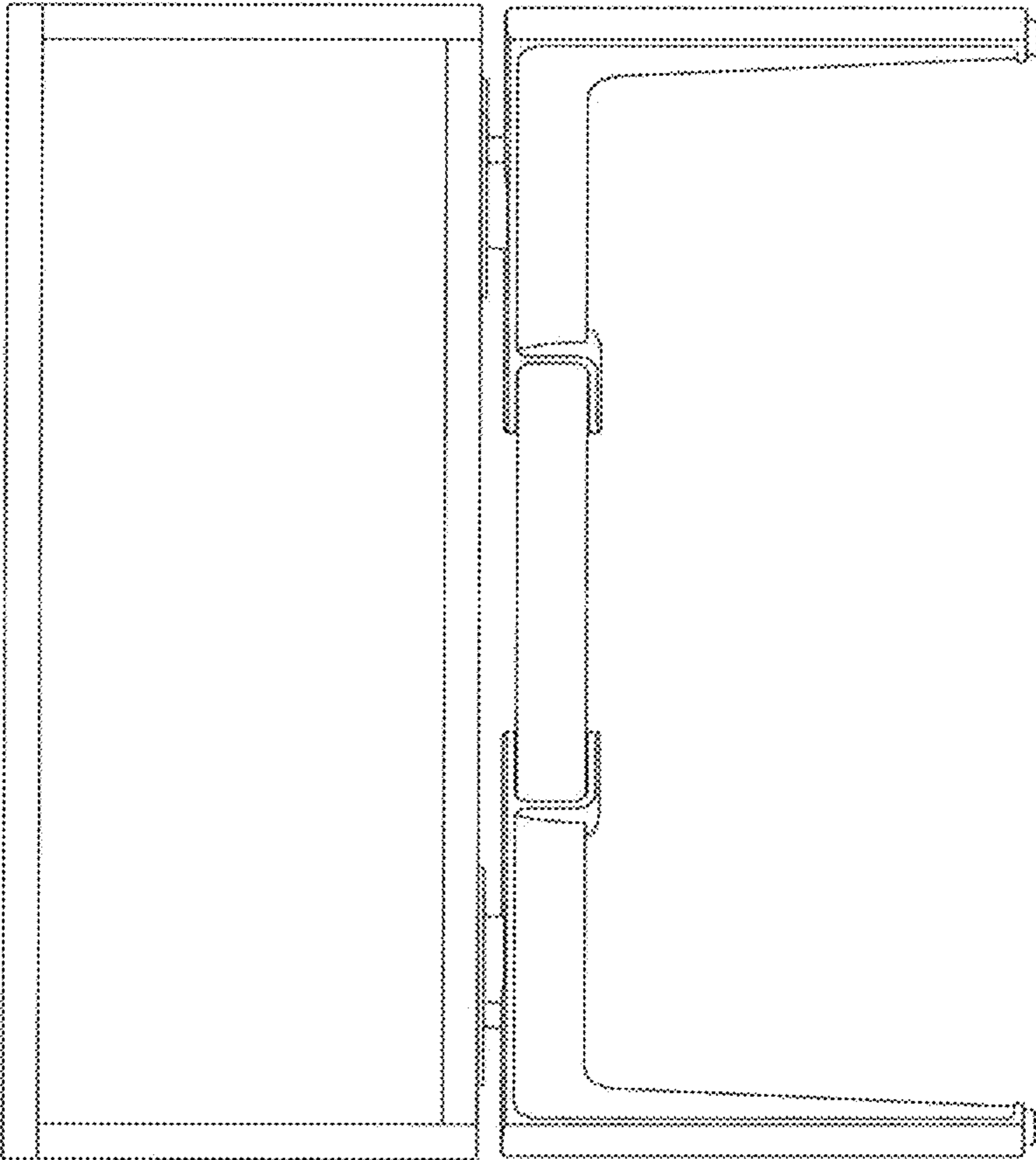


FIG. 3

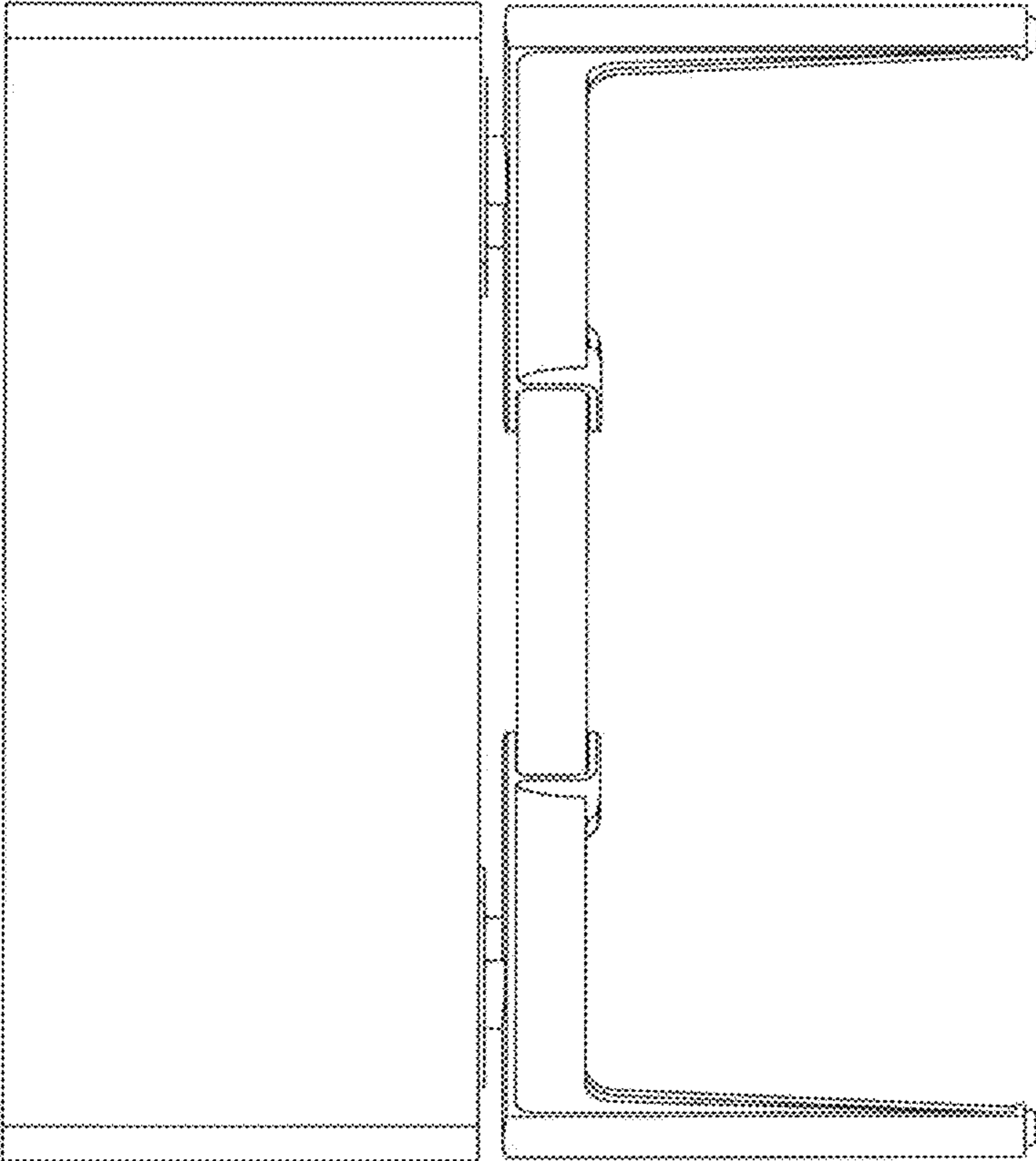


FIG. 4

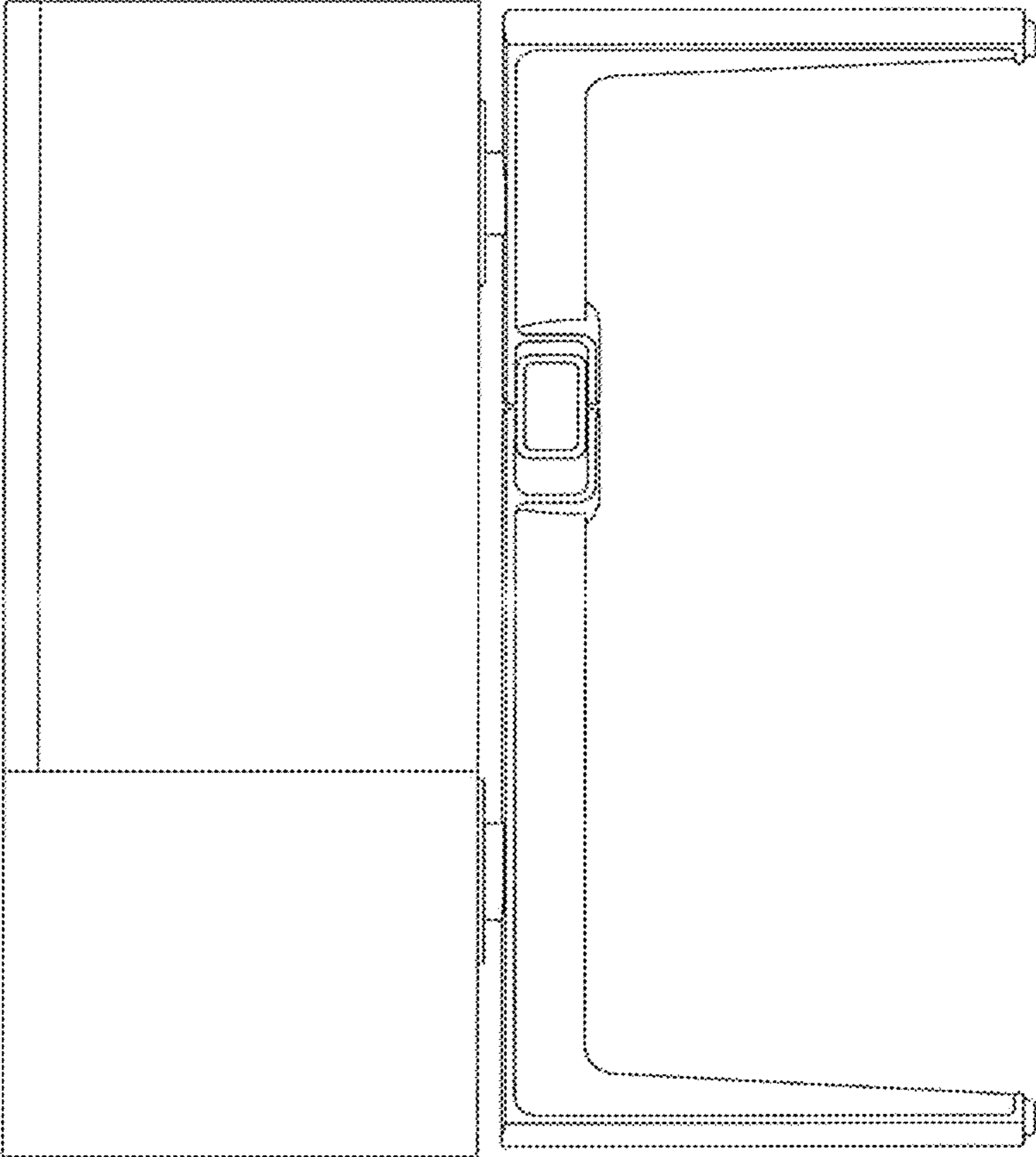


FIG. 5

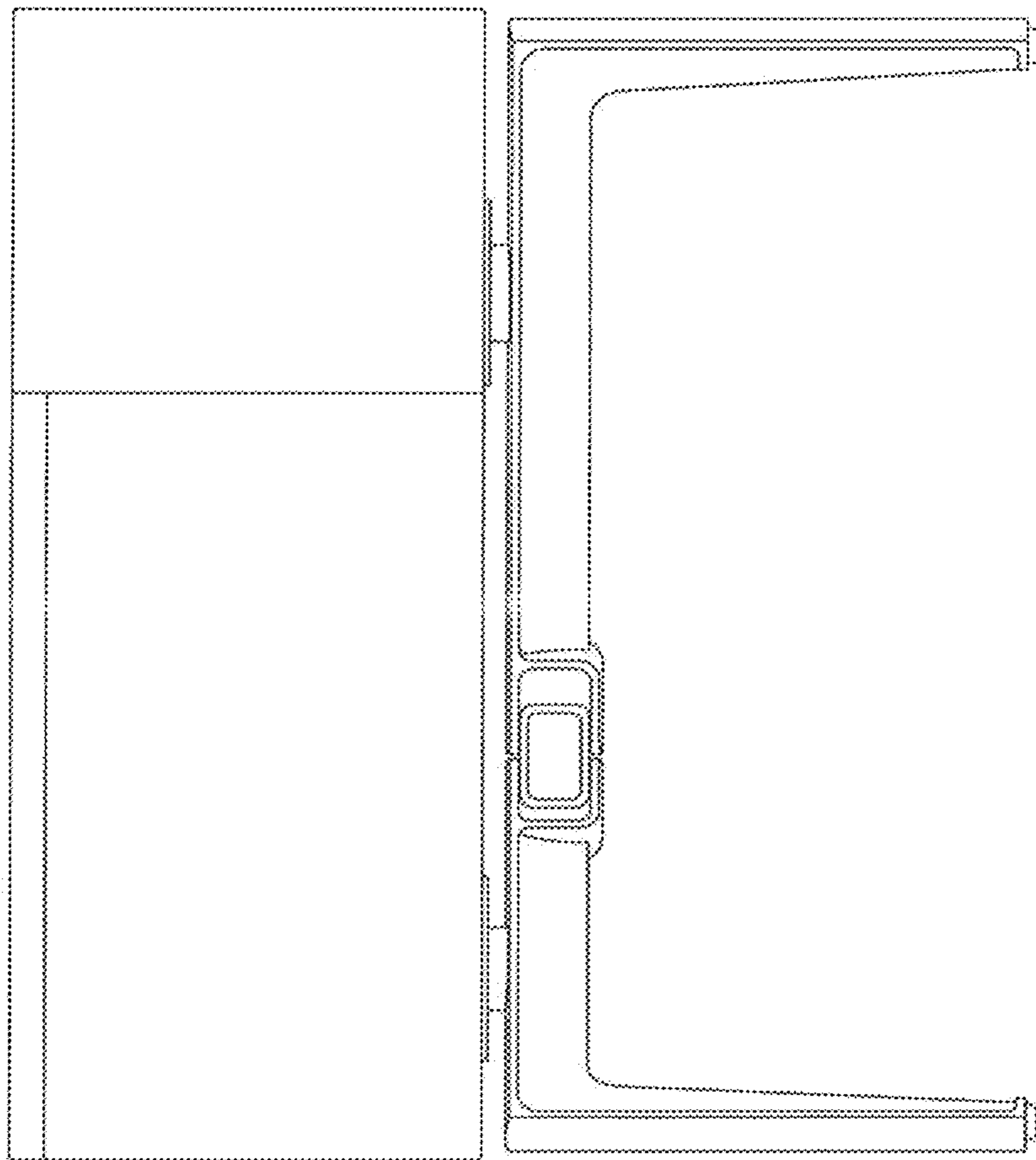


FIG. 6



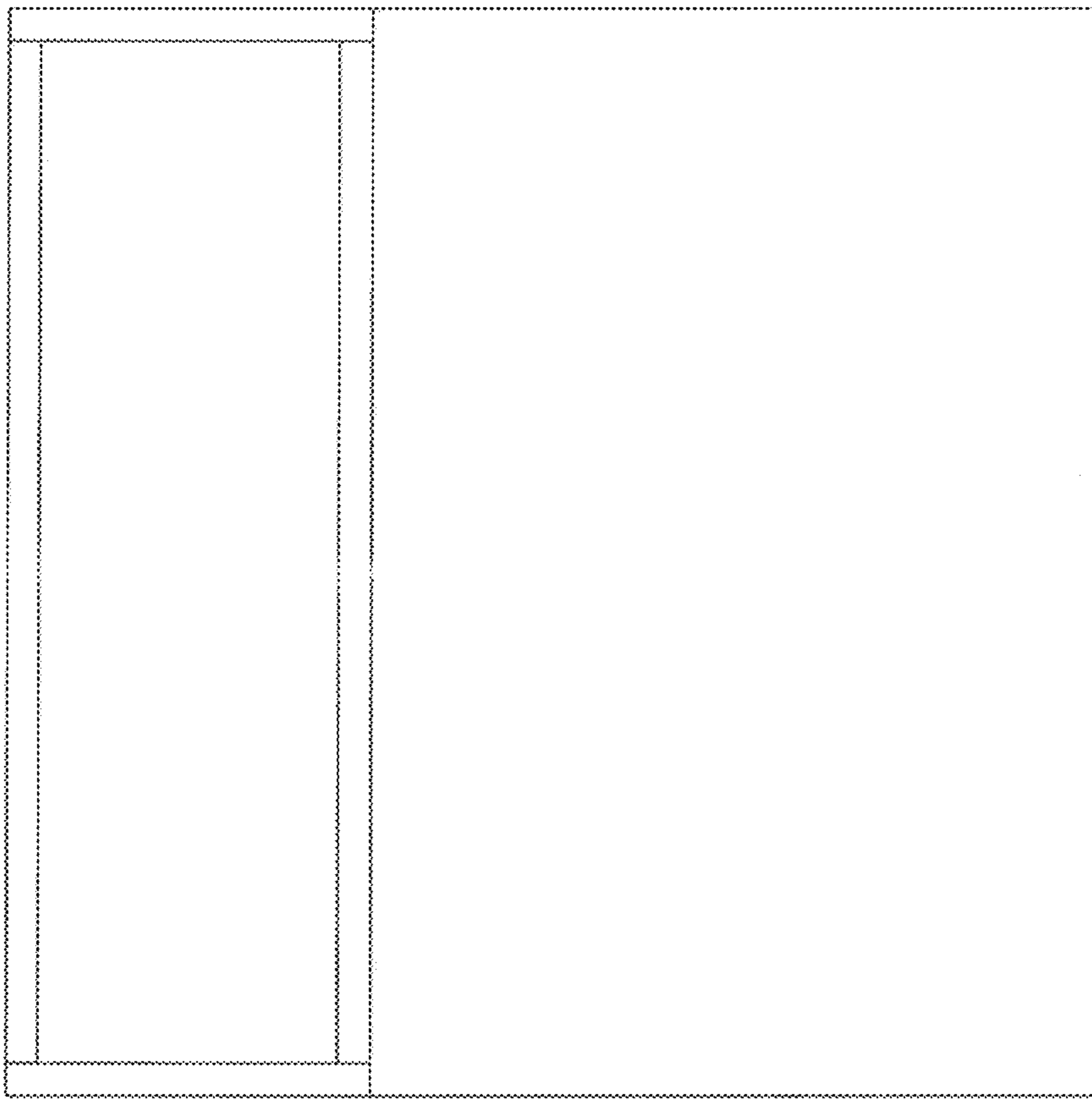


FIG. 7

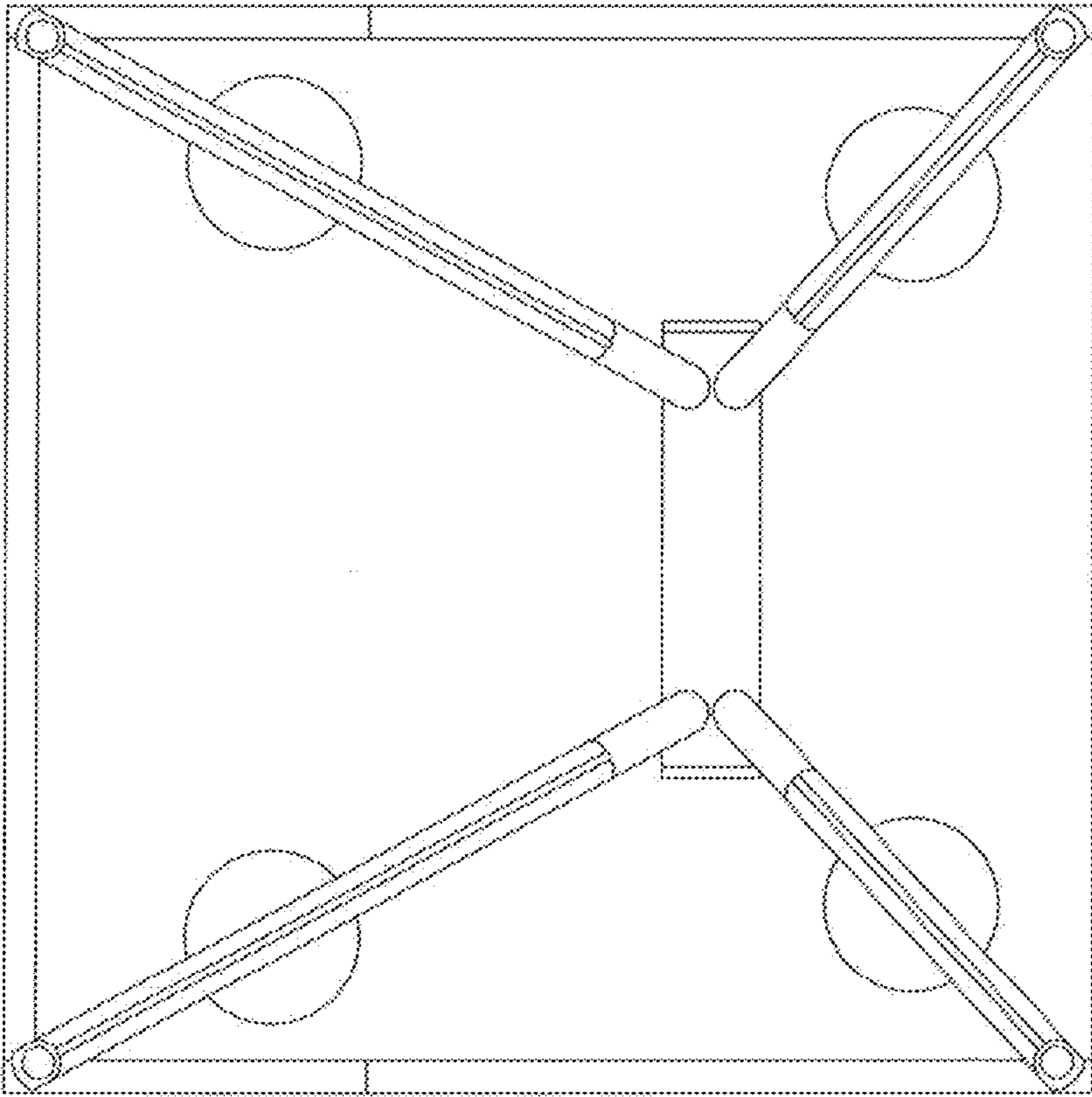


FIG. 8